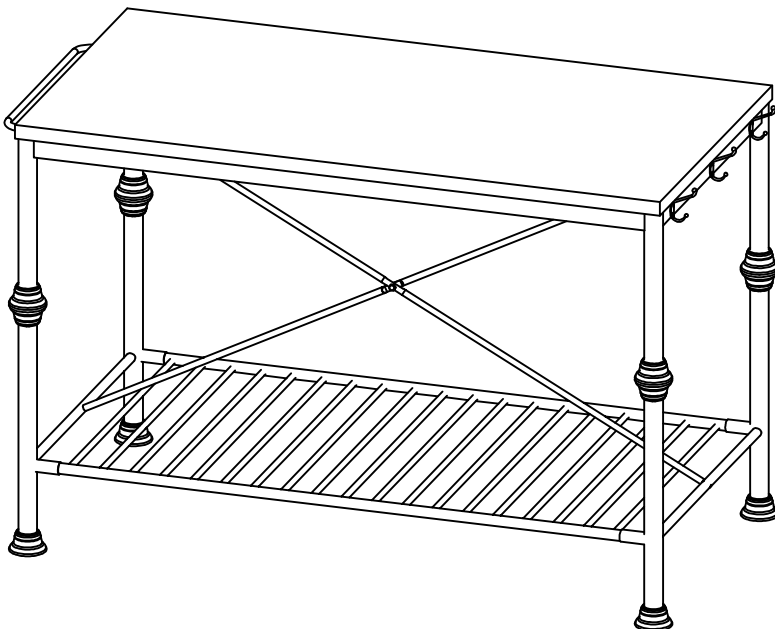
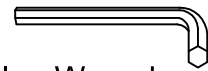


# ASSEMBLY INSTRUCTIONS

---



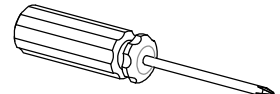
## TOOLS REQUIRED



Allen Wrench  
(Included)



Wrench  
(Included)

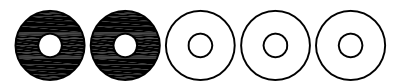


Phillips Screwdriver  
(Not Included)



2 - People  
Recommended

## ASSEMBLY RATING



EASY —————> DIFFICULT

The Assembly Rating is a 5-point system showing the level of effort needed to assemble a specific product.



## **CHECK BEFORE STARTING**

### **Are you missing anything?**

Double-check all parts, hardware and accessories listed are all accounted for.

### **Check out our Quick Tips!**

We recommend reviewing the pre-assembly handouts. Even experts need a refresher now and then!

### **Should we send any replacements?**

Are there any irregularities or flaws in the parts? We can send replacements!

### **Prep Time!**

Please review the assembly instructions and all diagrams prior to assembling.

# PRE ASSEMBLY INTRODUCTION

We understand building ready-to-assemble furniture can be a challenging experience for some. To help avoid confusion, we have provided some helpful tips that may speed up the process.



## Teamwork

ALWAYS have at least two people to help with transporting and assembling the product to avoid potential injury and/or damage.



## Suitable Location

Assembling near the area of the intended location is highly recommended.



## Sufficient Space

Make sure you have enough space to move around during the assembly.



## Avoid Scratches

Use cardboard, blankets or a carpeted area while assembling furniture to prevent to prevent scratches and damages.



## Flat Surface

Make sure the furniture rests on a flat and level surface with each leg evenly touching the floor.

# ASSEMBLY AND CARE ADVICE



**FAILURE TO FOLLOW THE GUIDELINES BELOW MAY RESULT IN INJURY AND/OR PROPERTY DAMAGE.**



Position each part correctly and insert screws or bolts into their respective holes.



Turn clockwise to tighten and only tighten when step is completed or when instructed to do so.



Use the appropriate hand tools or power tools for assembly. Select steps, such as tightening screws and/or bolts, may require hand tools to avoid causing damage during assembly.



Save the instructions and store any supplied tools for later maintenance.



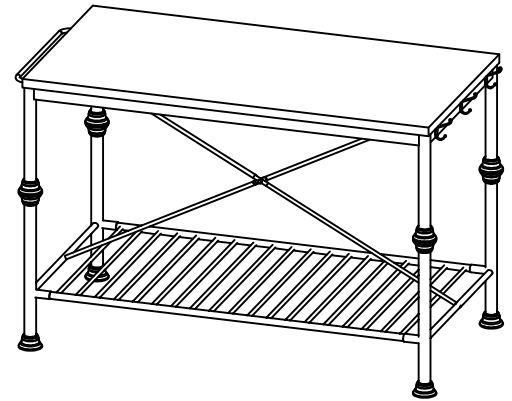
After two weeks, check and tighten any loose hardware and repeat again every six months thereafter.

**IT IS THE USER'S RESPONSIBILITY TO MAINTAIN THE FURNITURE. THE HARDWARE MAY LOOSEN OVER TIME AND MAY CAUSE THE FURNITURE TO BE WOBBLY AND UNABLE TO SUPPORT ITS INTENDED WEIGHT CAPACITY. THIS MAY LEAD TO COLLAPSE AND MAY CAUSE SERIOUS INJURY.**

# KITCHEN ISLAND

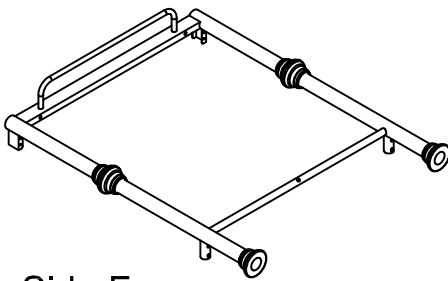


- Please keep instructions for future reference.
- Check the quantity and irregularity of parts and hardware before you start.



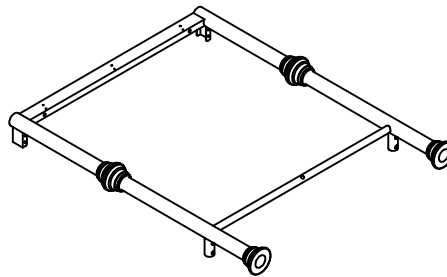
## PARTS

#1 x 1pc



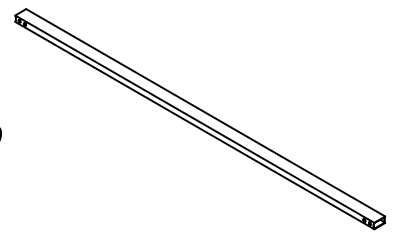
Side Frame

#2 x 1pc



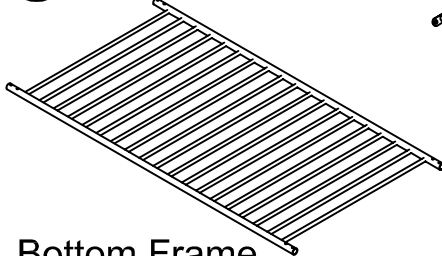
Side Frame

#3 x 2pcs



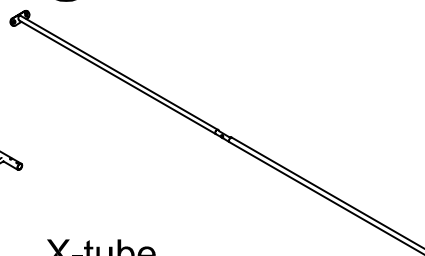
Cross Tube

#4 x 1pc



Bottom Frame

#5 x 2pcs



X-tube

#6 x 1pc

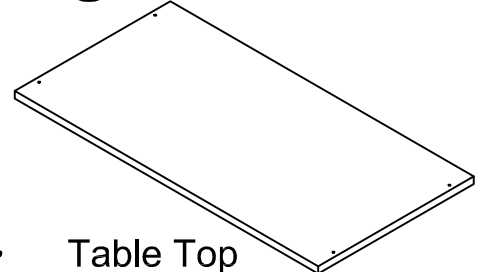
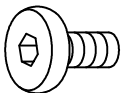


Table Top

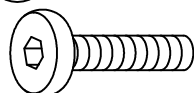
## HARDWARE

#A x 20pcs



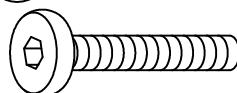
Bolt 1/4" \* 12mm

#B x 3pcs



Bolt 1/4" \* 32mm

#C x 4pcs



Bolt 1/4" \* 52mm

#D x 6pcs



Screw 4mm \* 18mm

#E x 1pc



Acorn Nut

#F x 3pcs



Hook

#G x 4pcs



Plug

#H x 1pc



Wrench

#I x 1pc



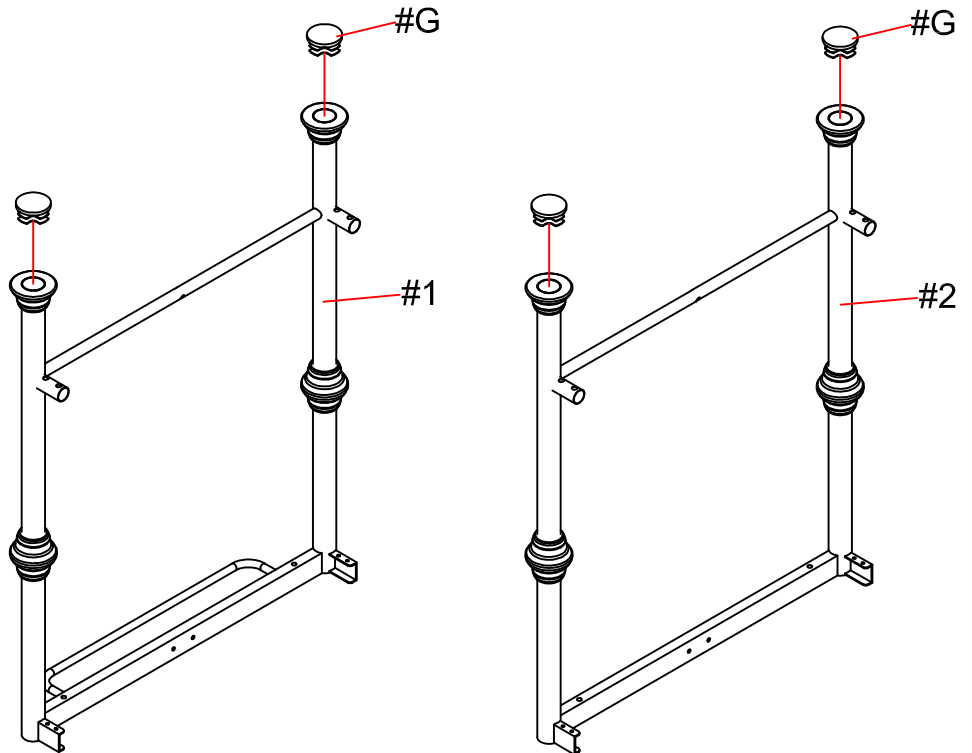
Allen Key

# ASSEMBLY INSTRUCTIONS

## 1

Part #1 x1pc  
Part #2 x1pc  
Hardware #G x4pcs

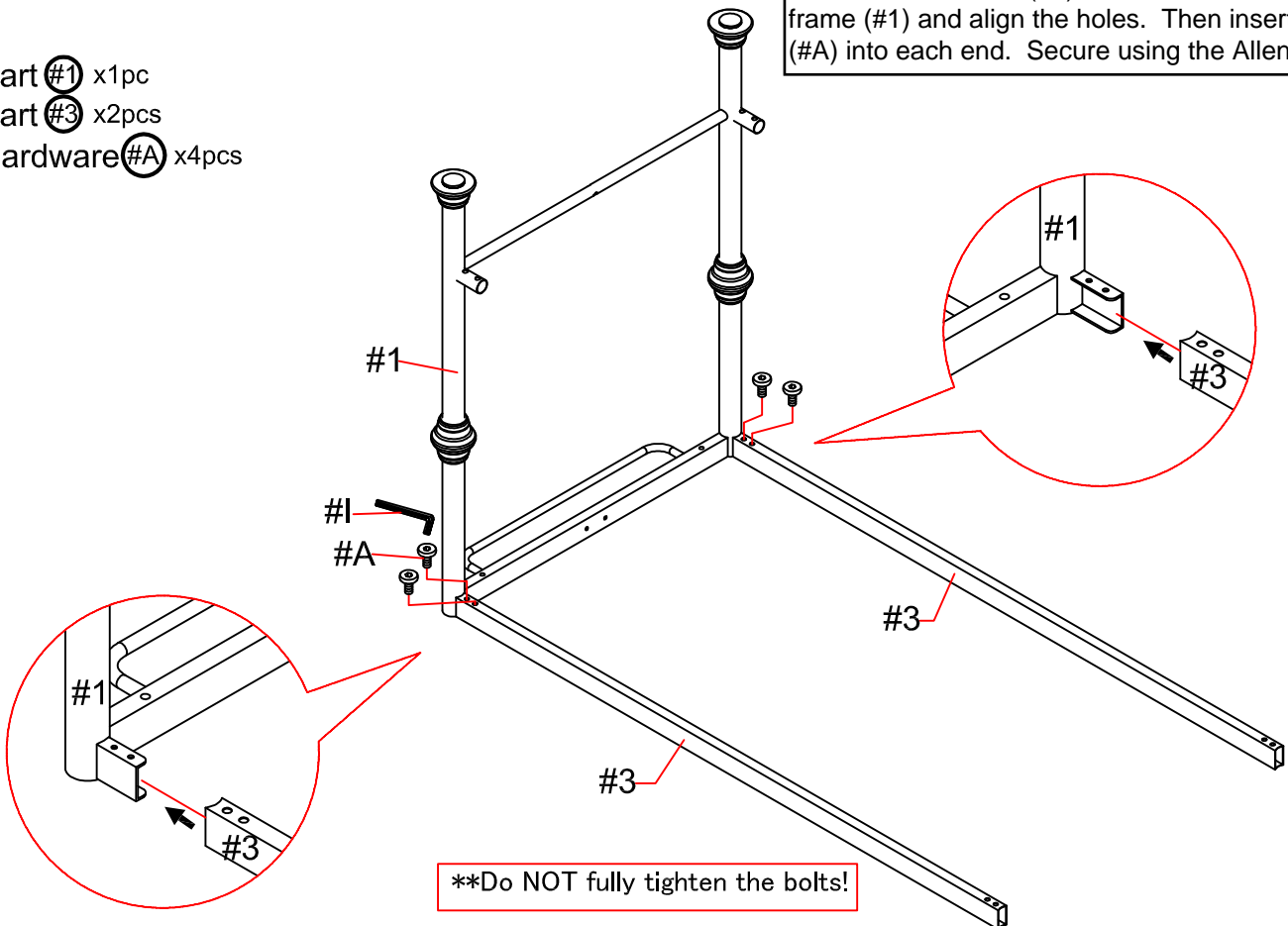
1. Insert a plug (#G) into each side of frame end (#1 and #2).



## 2

Part #1 x1pc  
Part #3 x2pcs  
Hardware #A x4pcs

1. Insert cross tube (#3) onto the slots along the side frame (#1) and align the holes. Then insert 2 bolts (#A) into each end. Secure using the Allen key (#I).



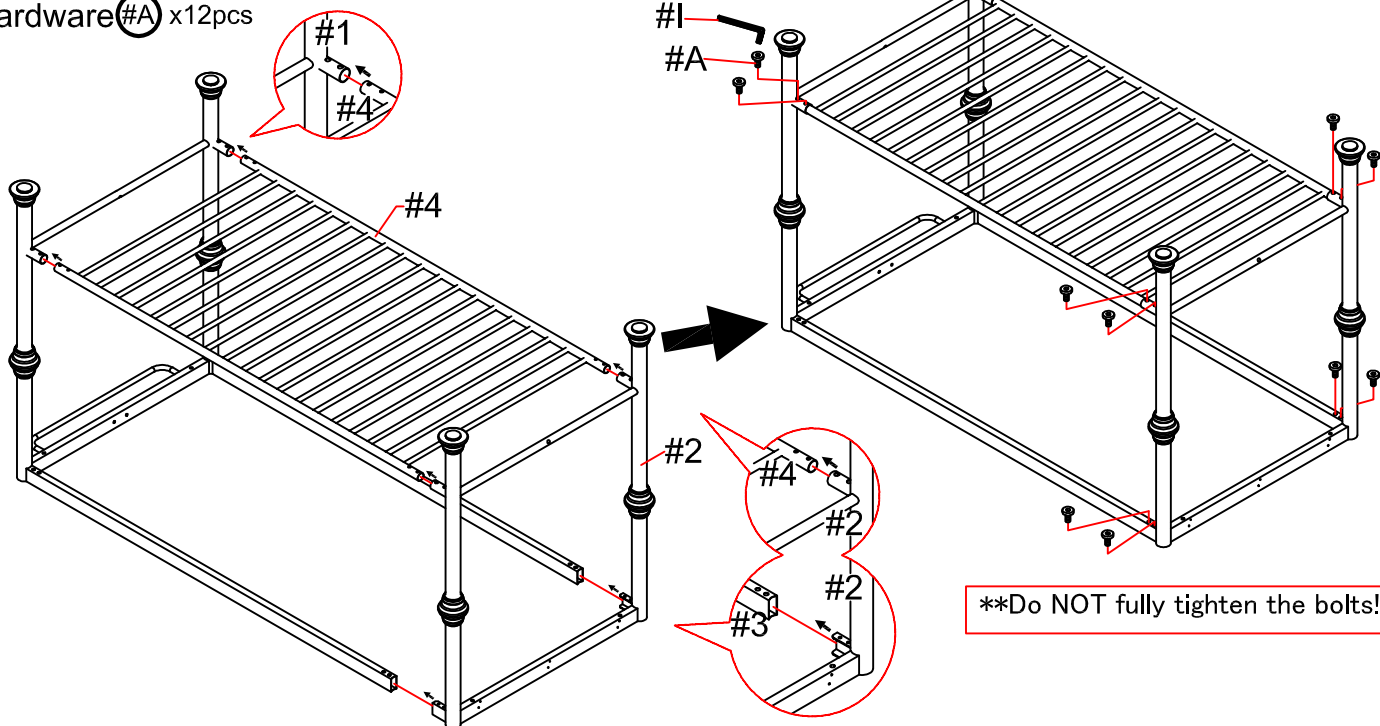
# ASSEMBLY INSTRUCTIONS

## 3

1. Insert bottom frame (#4) onto the slots along the side frame (#1) and align the holes. Insert cross tube (#3) onto the slots along the side frame (#2) and align the holes.

2. Next, insert 2 bolts (#A) into each end (12 total). Secure using Allen key (#1).

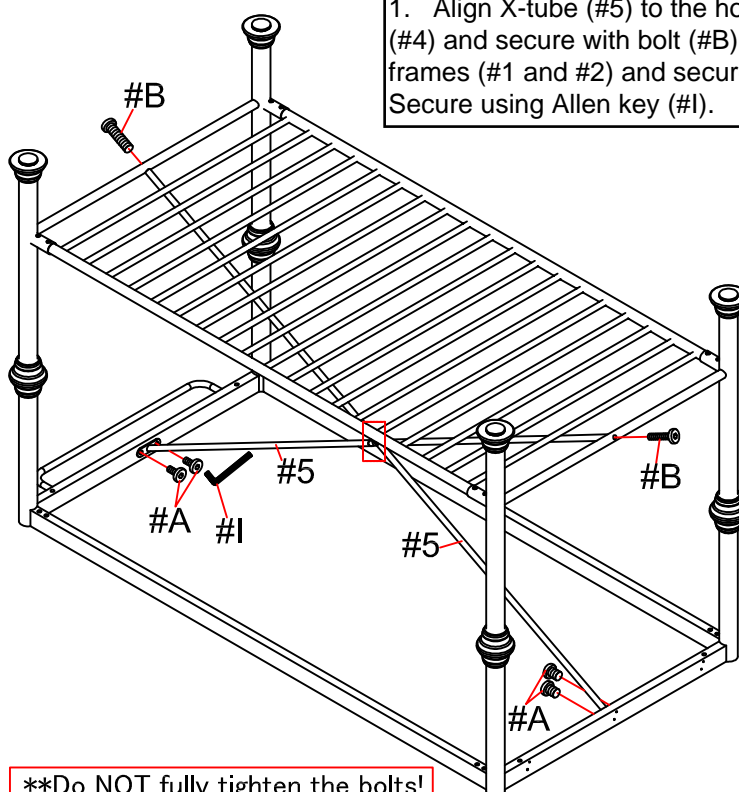
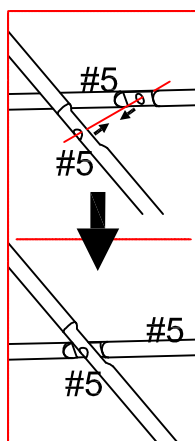
Part #2 x1pc  
Part #4 x1pc  
Hardware #A x12pcs



## 4

Part #5 x2pcs  
Hardware #A x4pcs  
Hardware #B x2pcs

1. Align X-tube (#5) to the holes on bottom frame (#4) and secure with bolt (#B). Align X-tube to Side frames (#1 and #2) and secure with 2 bolts (#A). Secure using Allen key (#1).

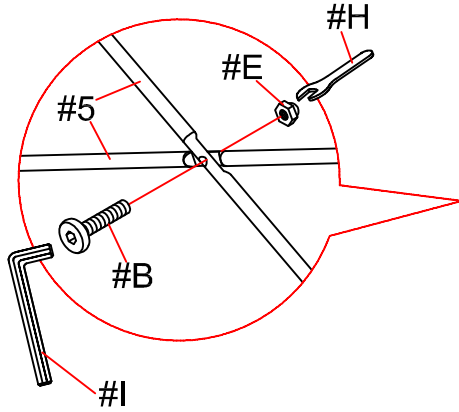


# ASSEMBLY INSTRUCTIONS

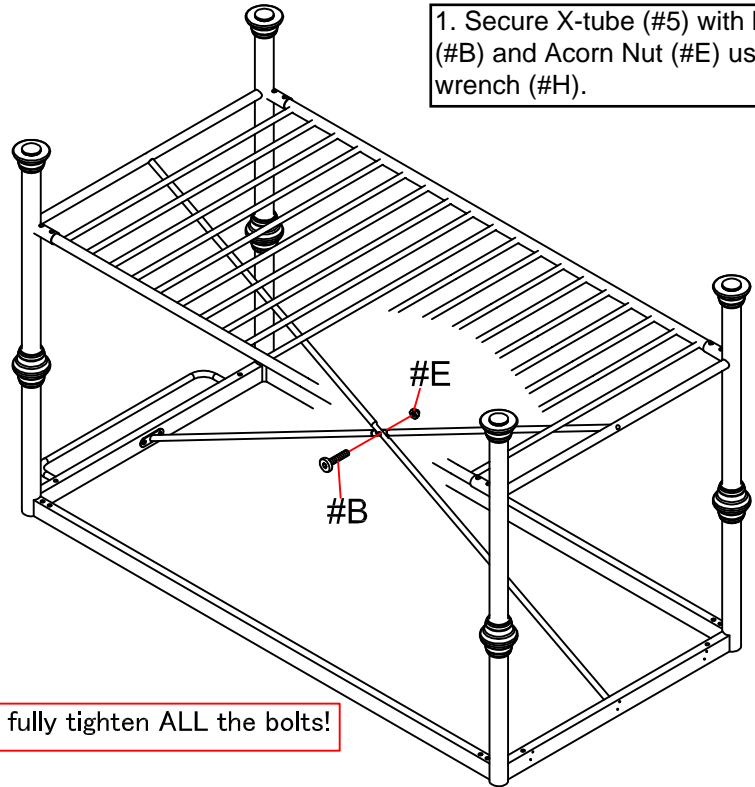
## 5

Hardware **#B** x1pc

Hardware **#E** x1pc



1. Secure X-tube (#5) with bolt (#B) and Acorn Nut (#E) using wrench (#H).

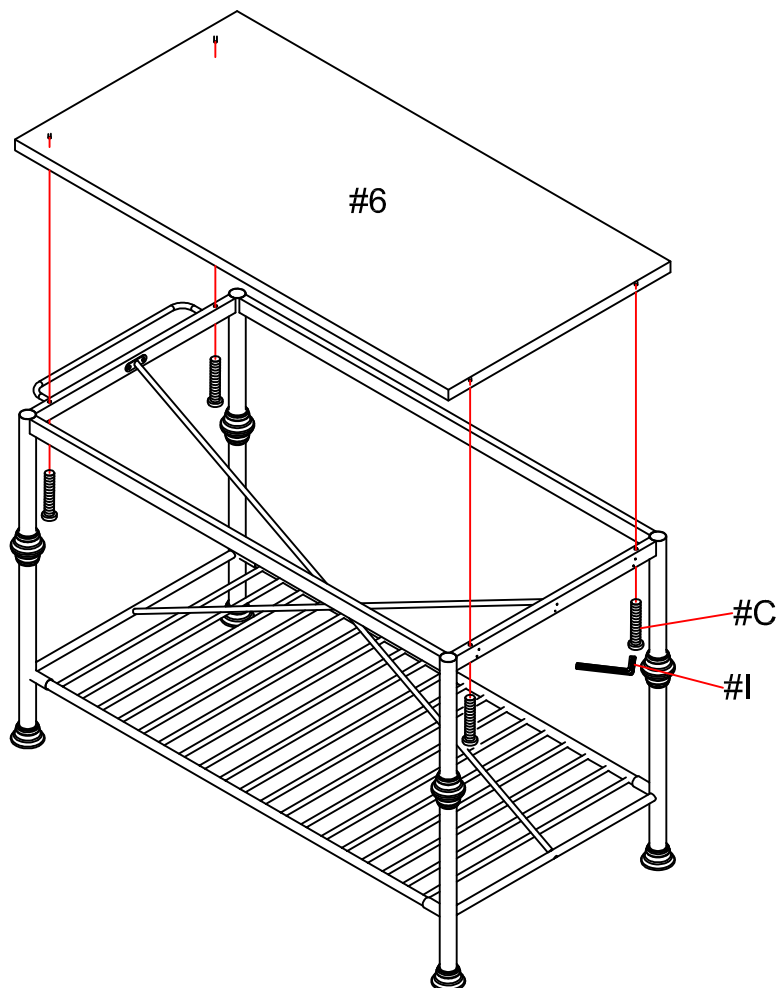


## 6

Part **#6** x1pc

Hardware **#C** x4pcs

1. Place and align Table top (#6) to the holes along the Side frames (#1 and #2). Secure using 4 bolts (#C) by using Allen key (#I).

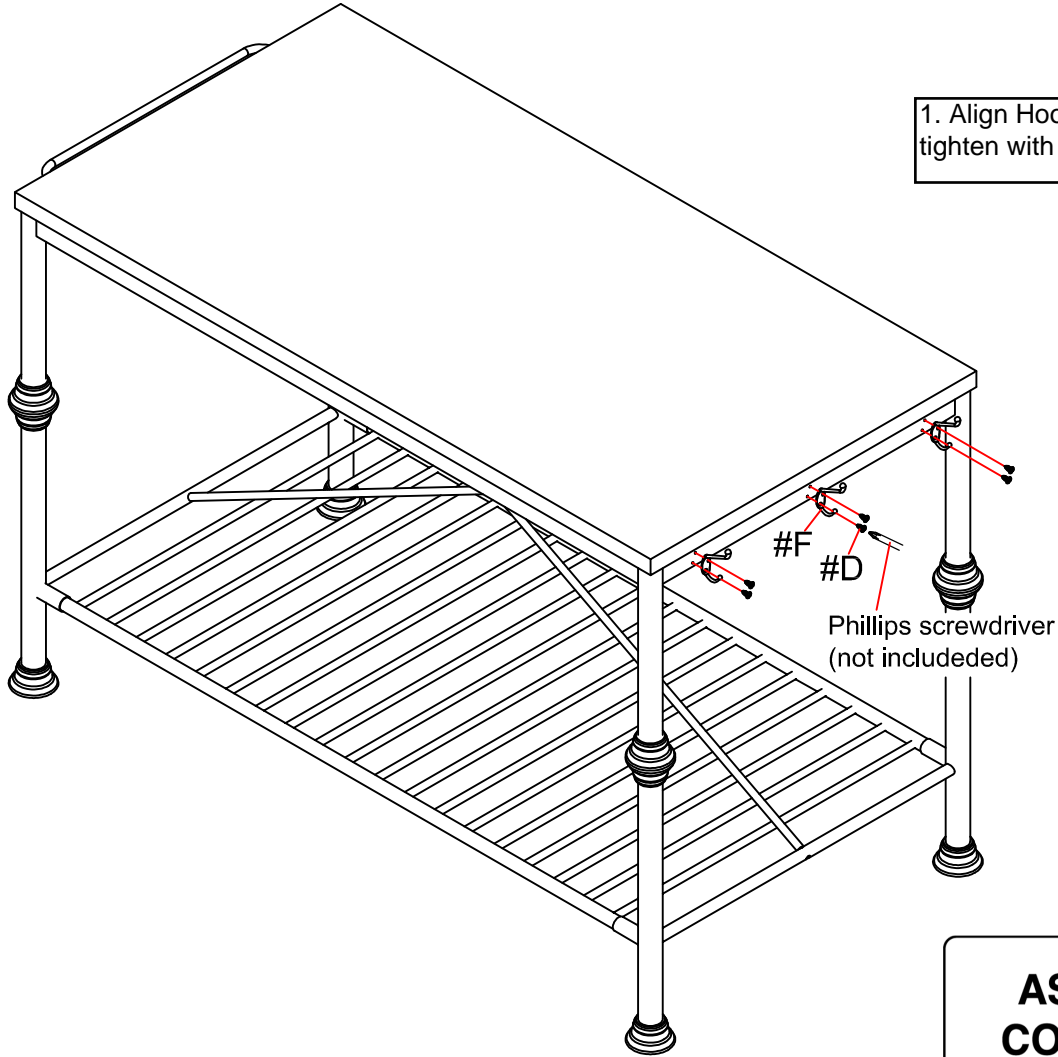


# ASSEMBLY INSTRUCTIONS

# 7

Hardware  #D x6pcs

Hardware  #F x3pcs



1. Align Hooks (#F) and tighten with Screws (#D).

## ASSEMBLY COMPLETED



Please ensure the furniture rests on an even and flat surface. If the product wobbles or feels loose, double-check all bolts and/or screws are properly tightened and secured.

### **Keep this handy!**

Please retain this instruction manual and any order-related information for future reference.

### **Lift, don't drag!**

To avoid damage to product please always LIFT the product when transporting or adjusting the placement.