

## Size of Mattress and Foundation

The length and width of the upper and lower bunk mattress and foundation are as follows :

<u>Size</u>	<u>Length</u>	<u>Width</u>	<u>Thickness</u>
Twin	74" - 75"	37 ½" - 38 ½"	9 ½" max
Full	74" - 75"	52" - 53"	9 ½" max

### You must use only this size mattress.

Ensure thickness of upper and lower mattress and foundation combined does not exceed 9 ½" and that the mattress is at least 5" below upper edge of guardrails.

This bunk bed uses a slat kit for mattress foundation.

### Replacement Parts

Replacement parts, including additional guardrails, may be obtained from any affurnishings dealer



## SAFETY WARNINGS



- ( 1 ) Follow the information on the warnings appearing on the upper bunk end structure and on the carton. Do not remove warning label from bed.
- ( 2 ) Always use the recommended size mattresses or mattress support, or both, to help prevent the likelihood of entrapment or falls.
- ( 3 ) Surface of mattress must be at least 5 in. (127mm) below the upper edge of guardrails.
- ( 4 ) Do not allow children under 6 years of age to use the upper bunk.
- ( 5 ) Periodically check and ensure that the guardrail, ladder, and other component are in their proper position, free from damage, and that all connectors are tight.
- ( 6 ) Do not allow horseplay on or under the bed and prohibit jumping on the bed.
- ( 7 ) Always use ladder for entering or leaving upper bunk.
- ( 8 ) Do not use substitute parts. Contact the manufacturer or dealer for replacement parts.
- ( 9 ) Use of a night light may provide added safety precaution for a child using the upper bunk.
- (10) Always use guardrails on both long sides of the upper bunk. If the bunk bed will be placed next to the wall, the guardrail that runs the full length of the bed should be placed against the wall to prevent entrapment between the bed and the wall.
- (11) The use of water or sleep flotation mattresses is prohibited.
- (12) **STRANGULATION HAZARD** : Never attach or hang items to any part of the bunk bed that are not designed for use with the bed; for example, but not limited to, hooks, belts and jump ropes.
- (13) Keep these instructions for future reference.

## ASSEMBLY INSTRUCTIONS (TWIN - TWIN) (TWIN - FULL) (FULL - FULL)

Before assembling your staircase bookshelf, please read through these instructions carefully. Familiarize yourself with the different parts.

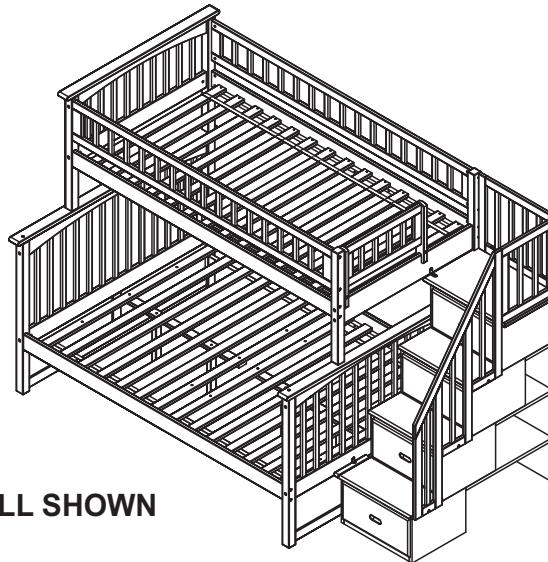
Please note that you will require a phillips head screwdriver and an allen wrench.

**ATTENTION!** If you receive a damaged or defective item, please contact afifurnishings at customerservice@afifurnishings.com or 1-800-955-3726

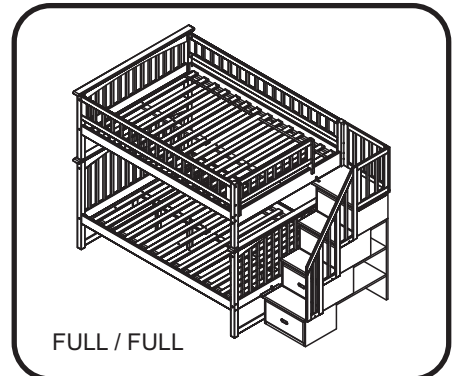
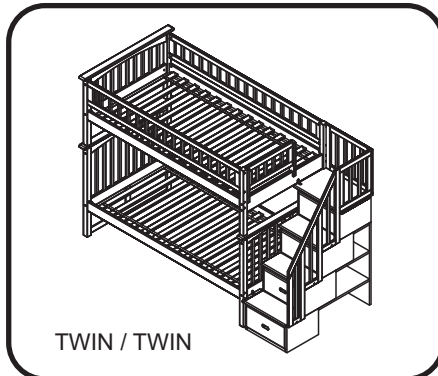
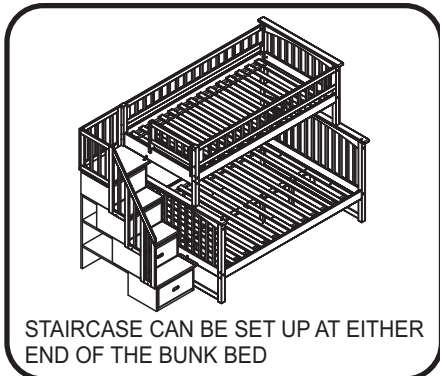
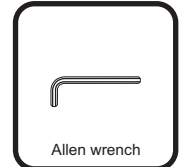


**PO :**

CODE	ITEM
BK-SCBS-COL	B-5222X
BK-SCDR-COL	B-5232X
BK-SCDR-COL	B-5262X
BK-SCGR-COL	B-5480X
BK-SCPL-COL	B-5515X
BK-SCPL-COL	B-5505X
BK-SCPL-COL	B-5525X
BK-SCPL-COL	B-5555X



TWIN OVER FULL SHOWN



NOTE: WE INCLUDE SPARE HARDWARE IN CASE DAMAGE OCCURS DURING ASSEMBLY.

### PANEL HARDWARE

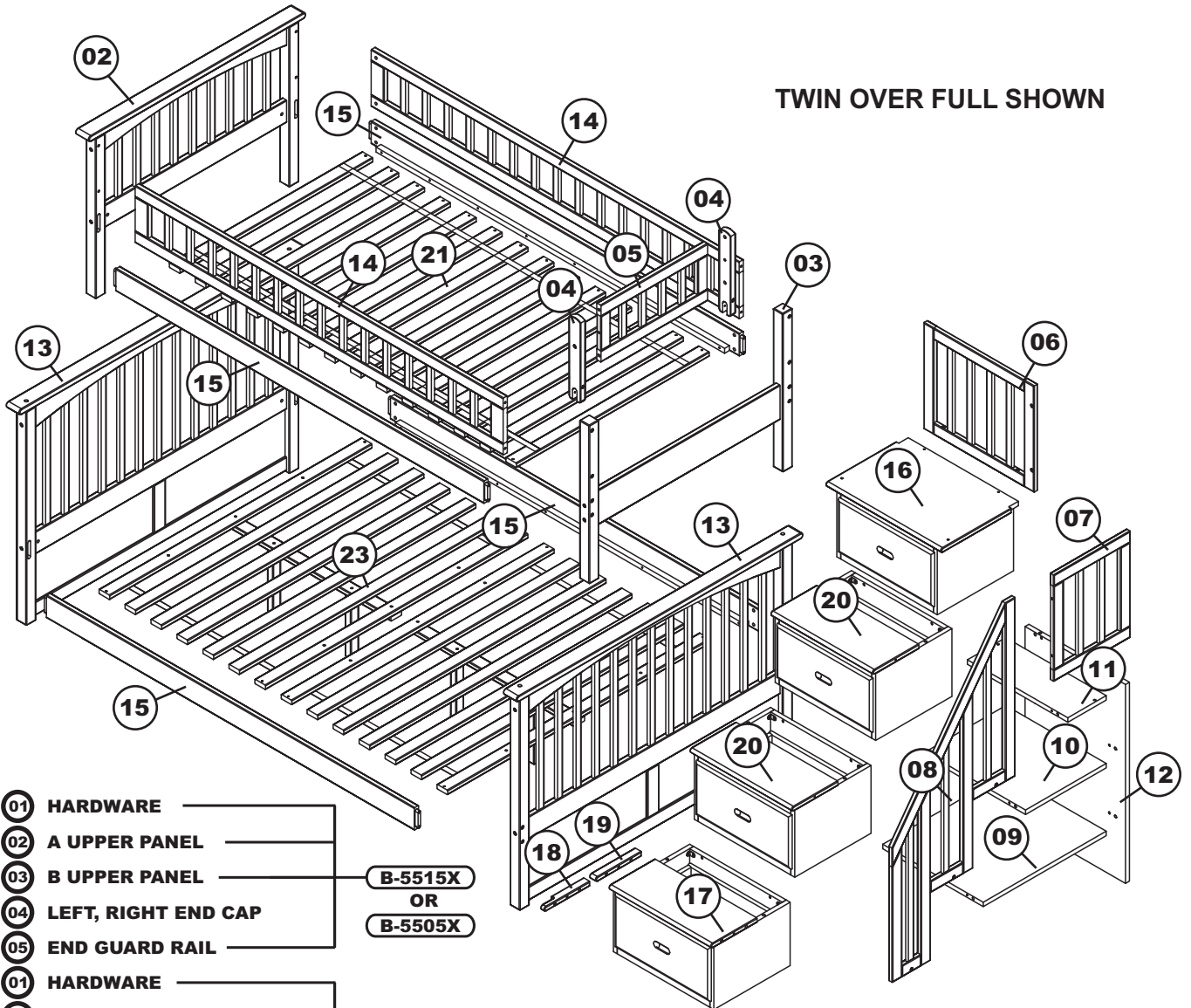
- A** JCB M6 X 3 1/2" (90mm) - 24 pcs  
Spare - 2 pcs
- C** JCB M6 X 2 3/8" (60mm) - 2 pcs
- F** Barrel nuts - 26 pcs  
Spare - 2 pcs
- I** Wooden dowel - 4 pcs  
10 X 30mm
- G** Metal pins - 4 pcs
- O** Wood button - 4 pcs  
In Full lower panel carton
- J** Wood screw 1 1/4" - 2 pcs  
Spare - 1 pc
- P** Allen wrench - 1 pc
- Q** Surface Mount Charger - 1 set  
Screws 1/2" - 2 pcs  
Spare - 1 pc

### HANDRAIL & BOOKSHELF HARDWARE

- B** JCB M6 X 3/4" (20mm) - 1 pc  
with Flat washer
- I** Wooden dowel - 22 pcs  
Spare - 2 pcs  
10 X 30mm
- C** Allen screw 2" (50mm) - 15 pcs  
Spare - 2 pcs
- K** Wood screw 5/8" - 7 pcs  
Spare - 2 pcs
- D** Allen screw 1 5/8" (40mm) - 6 pcs  
Spare - 1 pc
- L** Mini L Bracket - 1 pc
- E** Allen screw 3 1/8" (80mm) - 4 pcs  
Spare - 1 pc
- H** Cap nut - 1 pc
- M** Flat Bracket - 2 pcs
- N** L bracket - 1 pc
- P** Allen wrench - 1 pc

# PARTS LIST

TWIN OVER FULL SHOWN



- 01 HARDWARE
- 02 A UPPER PANEL
- 03 B UPPER PANEL
- 04 LEFT, RIGHT END CAP
- 05 END GUARD RAIL
- 01 HARDWARE
- 06 BACK GUARD RAIL
- 07 SIDE GUARD RAIL
- 08 HAND GUARD RAIL
- 09 BOTTOM SHELF
- 10 MIDDLE SHELF
- 11 TOP SHELF
- 12 BACK PANEL
- 13 LOWER PANEL
- 14 FRONT, BACK GUARDRAIL
- 15 SIDE RAILS
- 16 TOP DRAWER
- 17 BOTTOM DRAWER
- 18 SPECIAL BLOCK TWIN
- 19 SPECIAL BLOCK FULL
- 20 MIDDLE DRAWERS
- 21 TWIN SLAT KIT
- 22 FULL UPPER BUNK SLAT KIT
- 23 FULL LOWER BUNK SLAT KIT
- 24 TWIN LOWER BUNK SLAT KIT

B-5515X  
OR  
B-5505X

B-522X2

B-5525X OR B-5555X

B-54X80

B-523X2

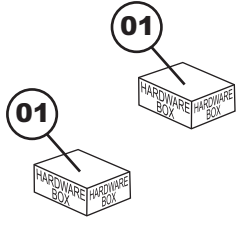
B-526X2

E-65200

E-65300

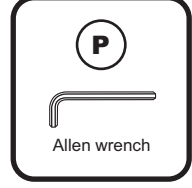
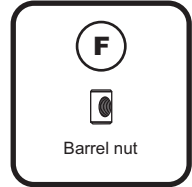
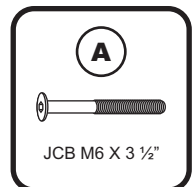
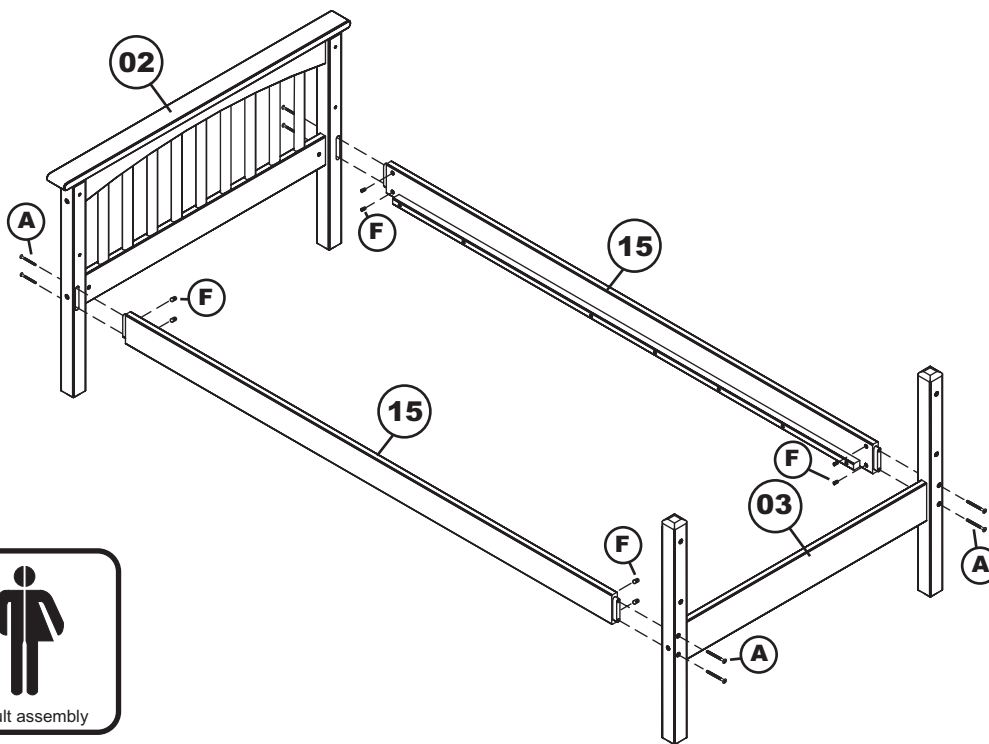
E-65301

E-65200



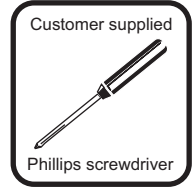
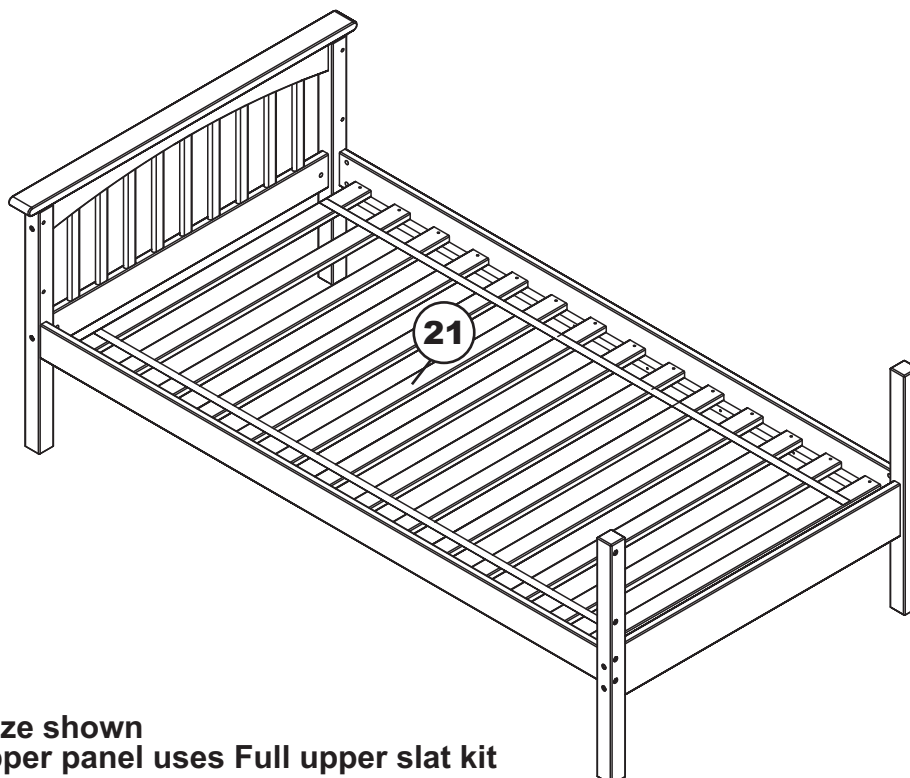
### STEP 1

Attach the side rails (15) to the A upper panel (02) and B upper panel (03), using JCB M6 X 3 1/2" (A), and barrel nut (F). Tighten with the Allen wrench (P). Twin upper panel shown. Full over Full bunk use Full upper panel.



### STEP 2

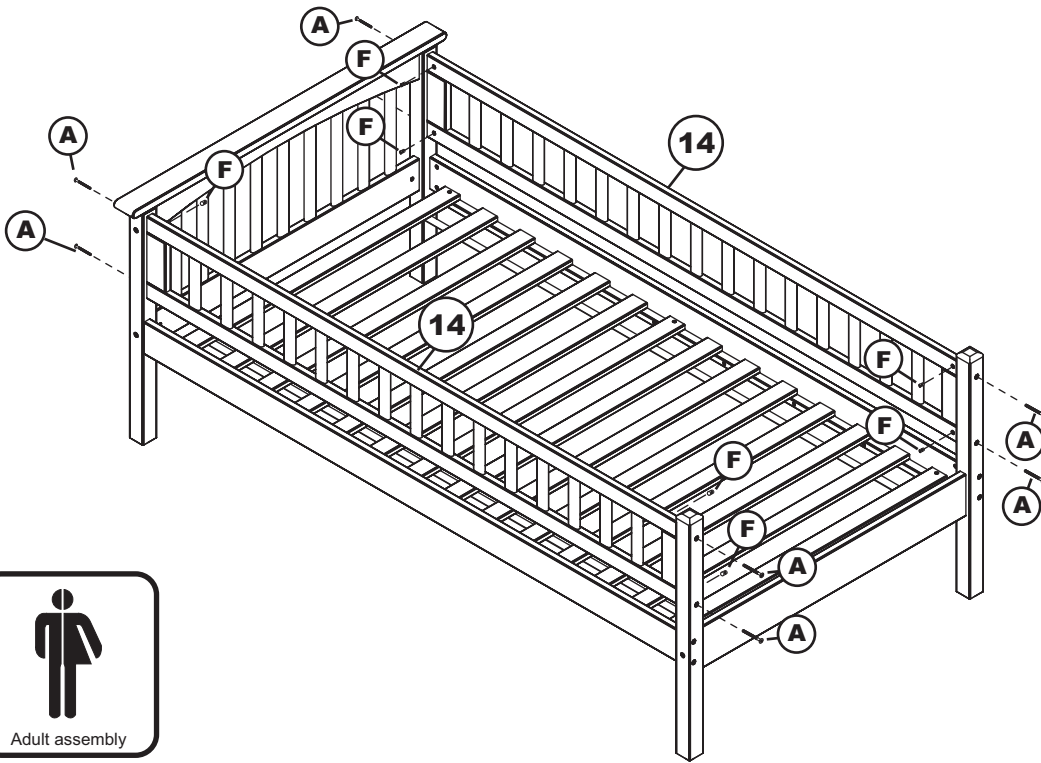
Lay the twin slat kit (21) onto the bed. Fix in place using wood screws provided in the slat kit box. FOR SLAT KIT ASSEMBLY follow assembly instructions included with slat kit.



Twin size shown  
Full Upper panel uses Full upper slat kit

### STEP 3

Attach the guard rails (14) to the upper panel assemblies using JCB M6 X 3 1/2" (A), and barrel nut (F). Tighten with the Allen wrench (P).



A



JCB M6 X 3 1/2"

F



Barrel nut

P



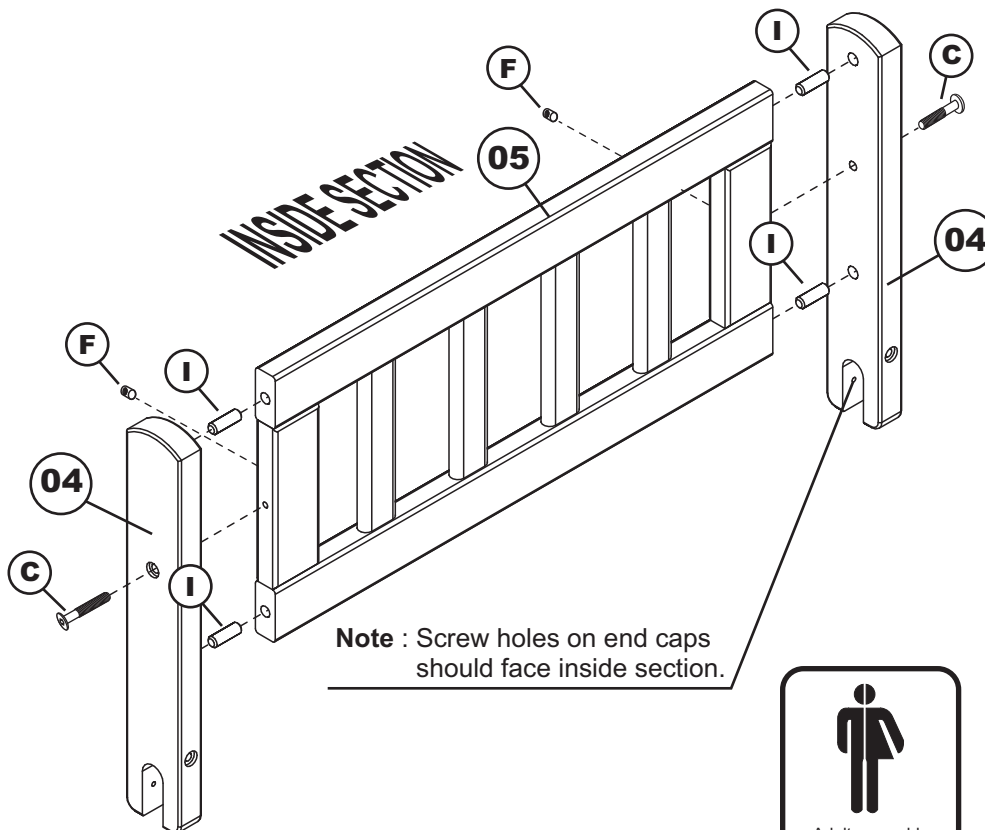
Allen wrench



Adult assembly

### STEP 4

Attach the end guard rail (05) to the end caps (04), using wood dowels (I) JCB M6 X 2 3/8" (C) and barrel nut (F). Tighten with the Allen wrench (P).



C



JCB  
M6 X 2 3/8" (60mm)

F



Barrel nut

I



WOODEN DOWEL

P



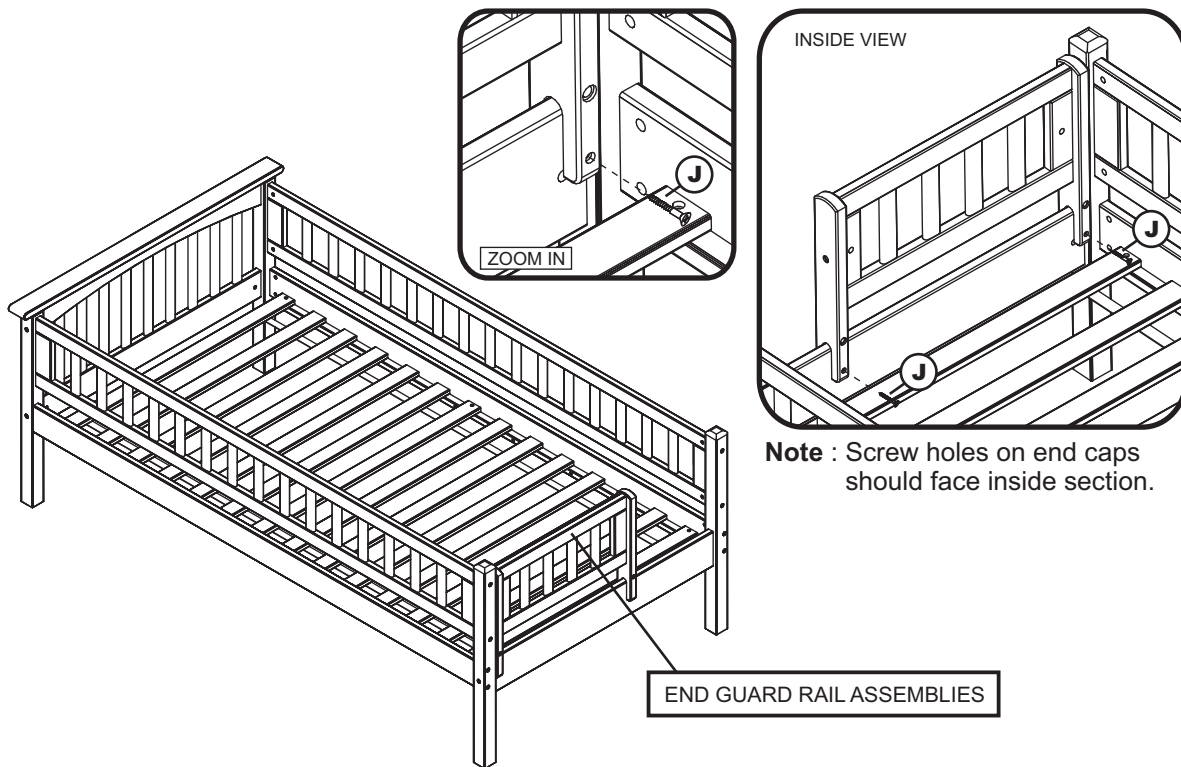
Allen wrench



Adult assembly

### STEP 5

Attach the end guard rail assemblies to the upper panel assemblies as shown below, using wood screw (J), tighten with the Phillips head screwdriver. ( Customer supplied )



Adult assembly

J



WOOD SCREW  
1 1/4"

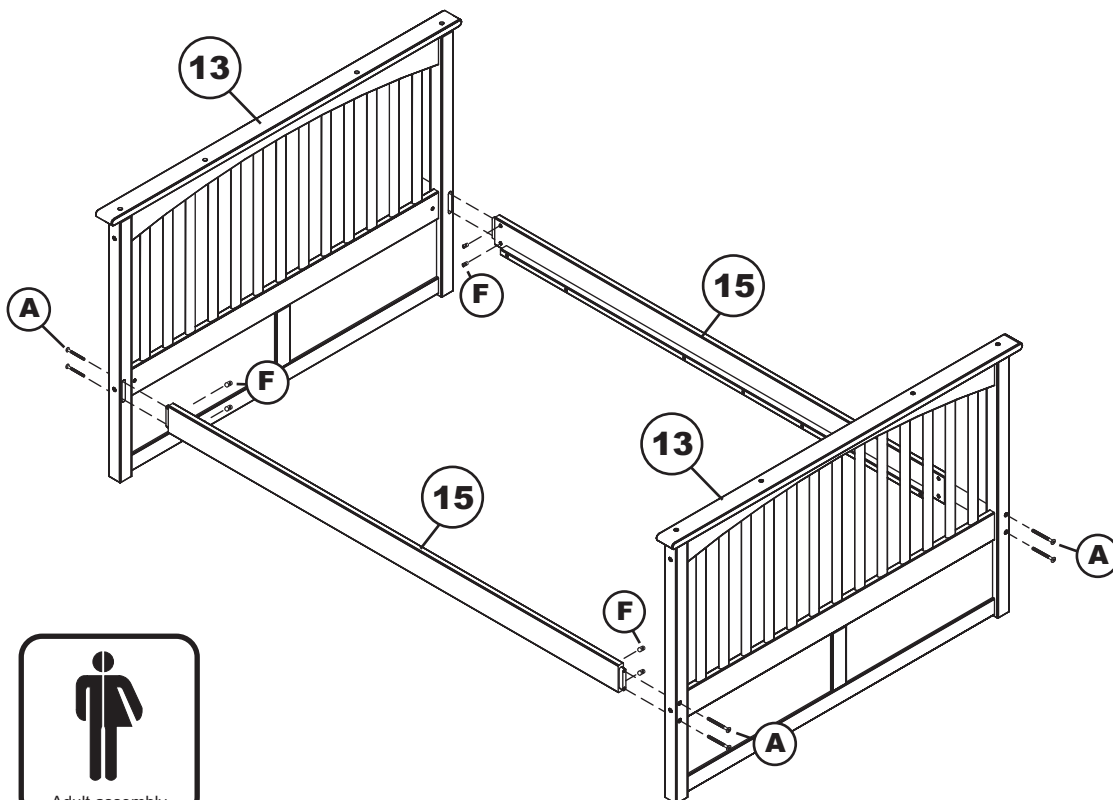
Customer supplied



Phillips screwdriver

### STEP 6

Attach the side rails (15) to the lower panels (13) using JCB M6 X 3 1/2" (A), and barrel nut (F). Tighten with the Allen wrench (P). Full lower panel shown. Twin over Twin bunk use Twin lower panel.



A



JCB M6 X 3 1/2"

F



Barrel nut

P



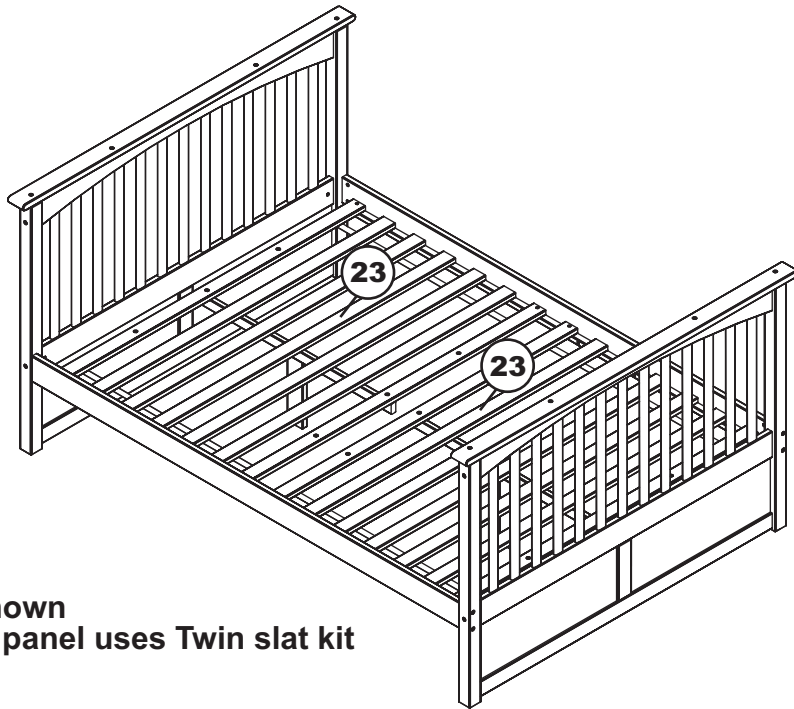
Allen wrench



Adult assembly

### STEP 7

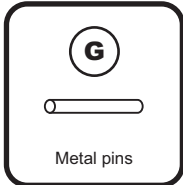
Lay the full slat kit (23) onto the bed. Fix in place using wood screws provided in the slat kit box. FOR SLAT KIT ASSEMBLY follow assembly instructions included with slat kit.



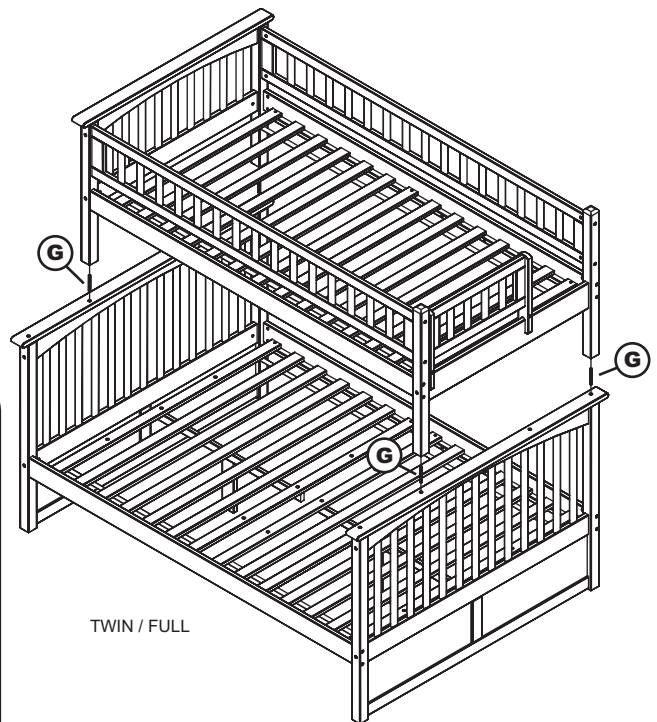
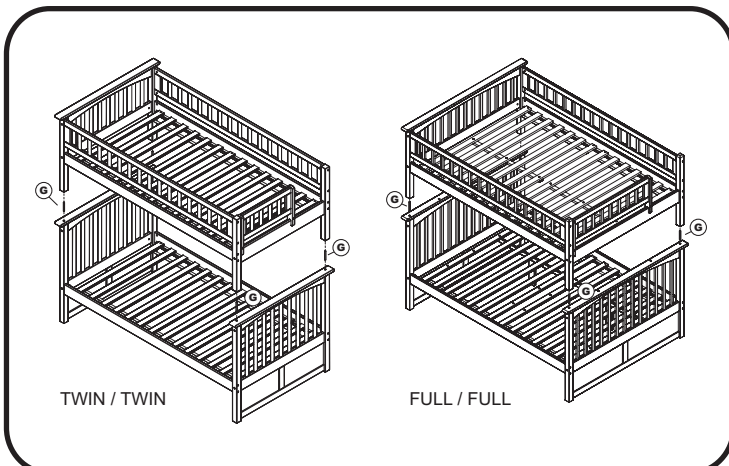
Full size shown  
Twin lower panel uses Twin slat kit

### STEP 8

Insert metal pins (G) into the holes on top of the lower panels. Lift the upper panels onto the lower panels as shown, and fit the metal pins into the holes in the bottom of the upper panel legs.

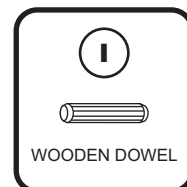
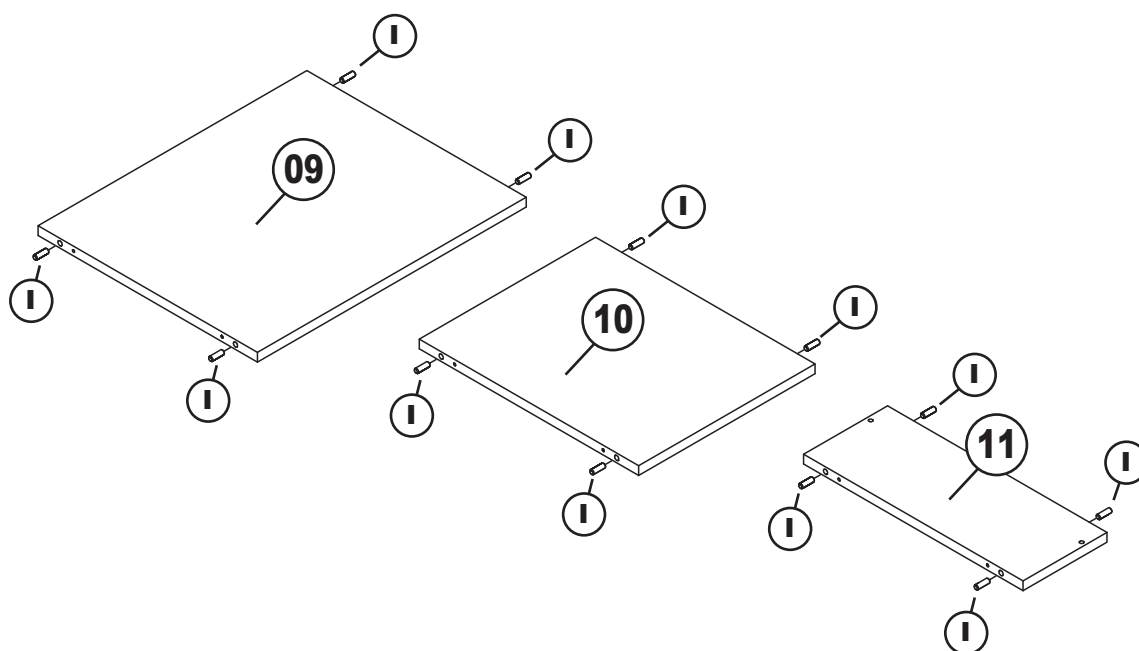


**CAUTION**  
This step requires  
two strong people.



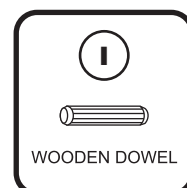
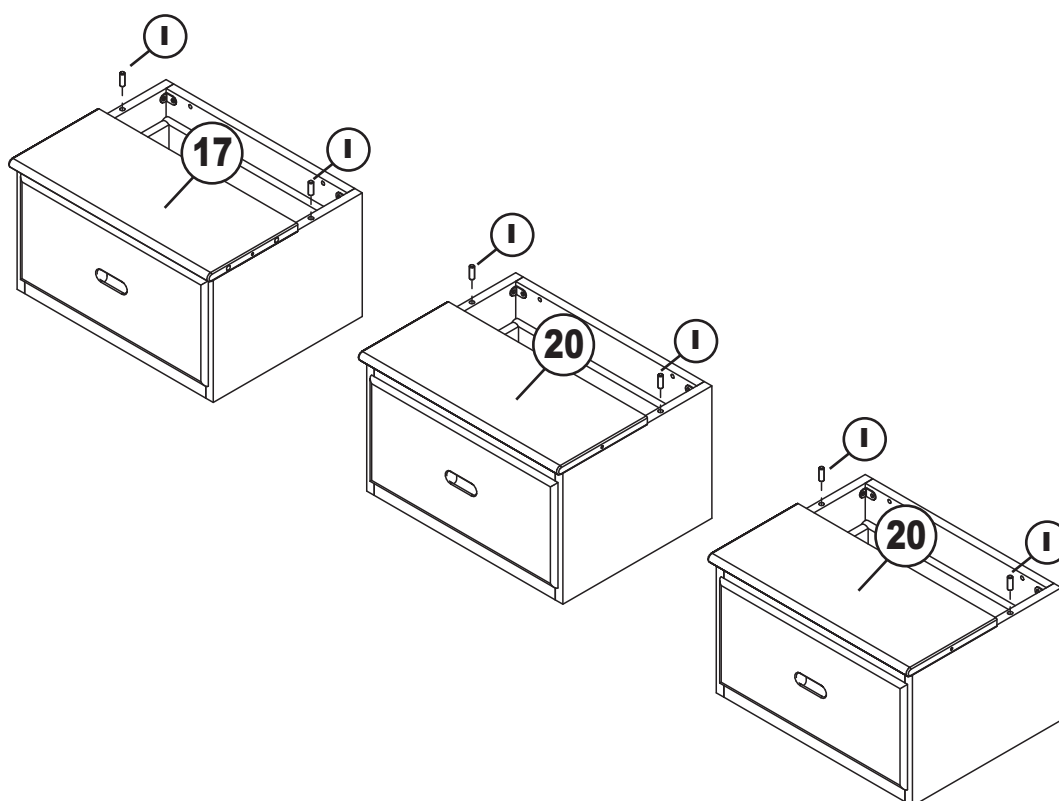
**STEP 9**

Insert wooden dowels (I) into the shelves (09)(10)(11) as shown below.



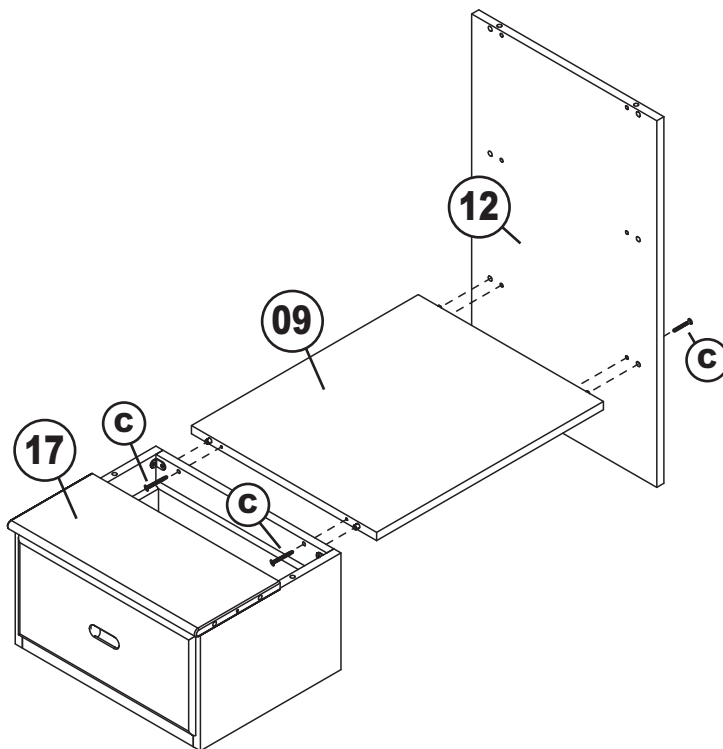
**STEP 10**

Insert wooden dowels (I) into the bottom drawer (17) and middle drawer (20) as shown below.



**STEP 11**

Attach the bottom shelf (09) to the bottom drawer (17) and back panel (12). Using Allen screw M6 X 2" (C). Tighten with Allen wrench (P).

**C**

ALLEN SCREW  
M6 X 2" (50mm)

**P**

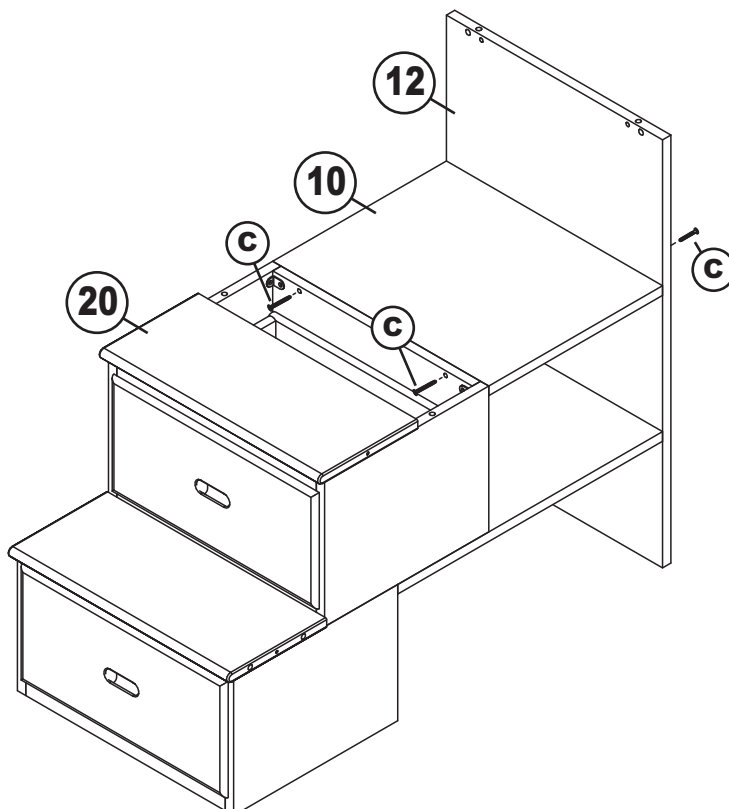
Allen wrench



Adult assembly

**STEP 12**

Attach the middle shelf (10) to the middle drawer (20) and back panel (12). Using Allen screw M6 X 2" (C). Tighten with Allen wrench (P).

**C**

ALLEN SCREW  
M6 X 2" (50mm)

**P**

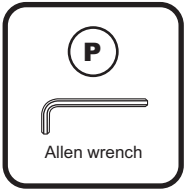
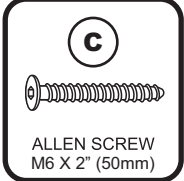
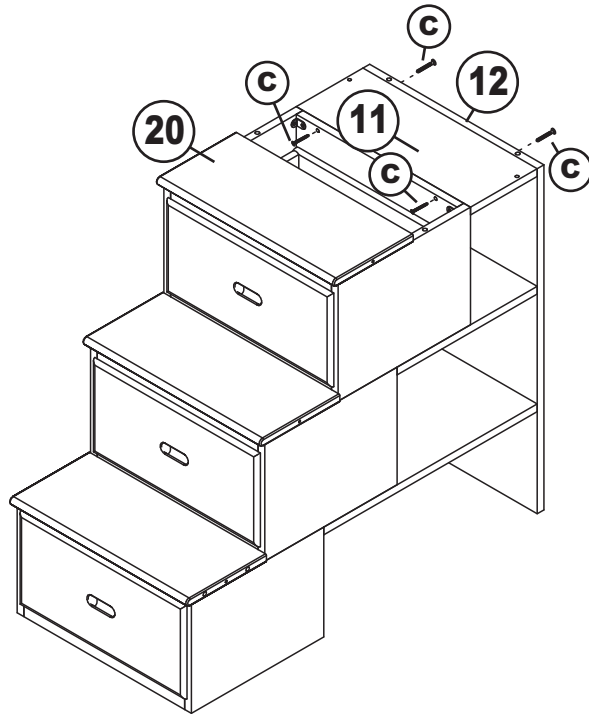
Allen wrench



Adult assembly

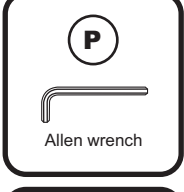
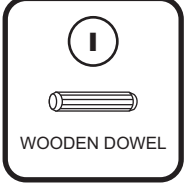
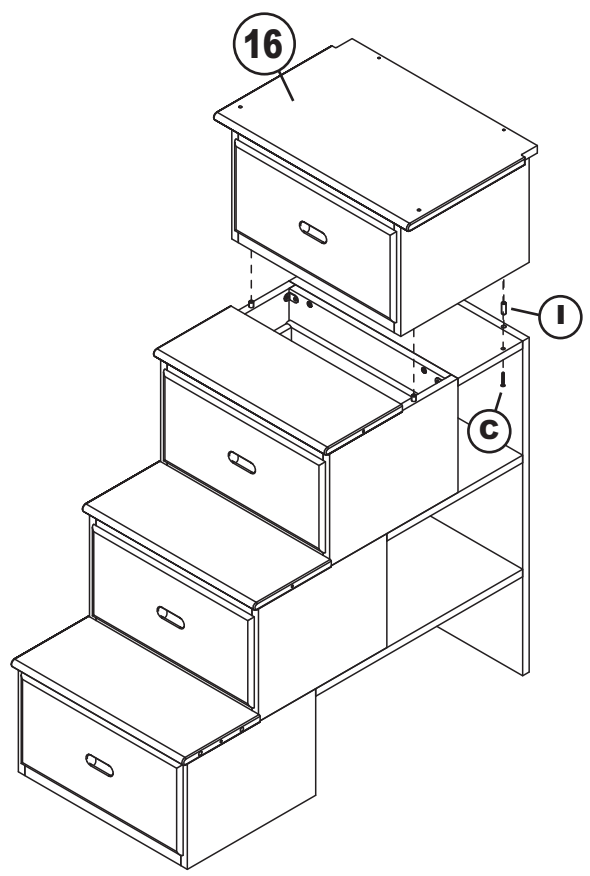
**STEP 13**

Attach the top shelf (11) to the middle drawer (20) and back panel (12). Using Allen screw M6 X 2" (C). Tighten with Allen wrench (P).



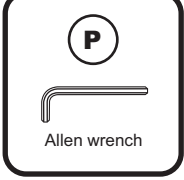
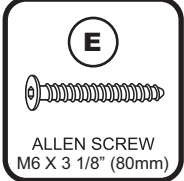
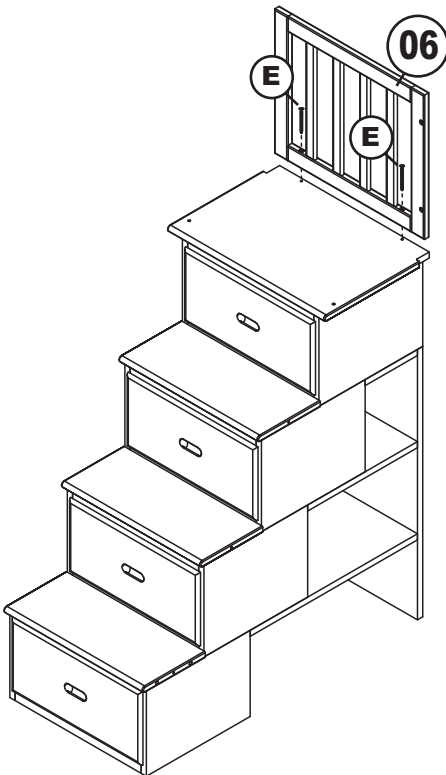
**STEP 14**

Attach the top drawer (16) as shown below. Using wood dowels (I) and Allen screw M6 X 2" (C). Tighten with Allen wrench (P).



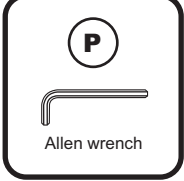
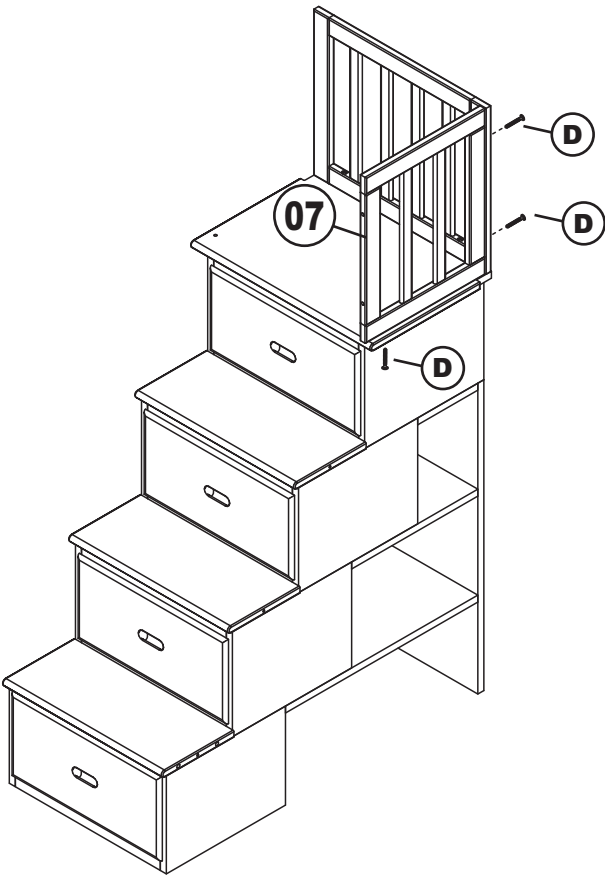
**STEP 15**

Attach back guard rail (06) as shown below. Using Allen screw M6 X 3 1/8" (E). Tighten with Allen wrench (P).



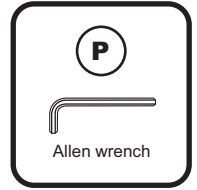
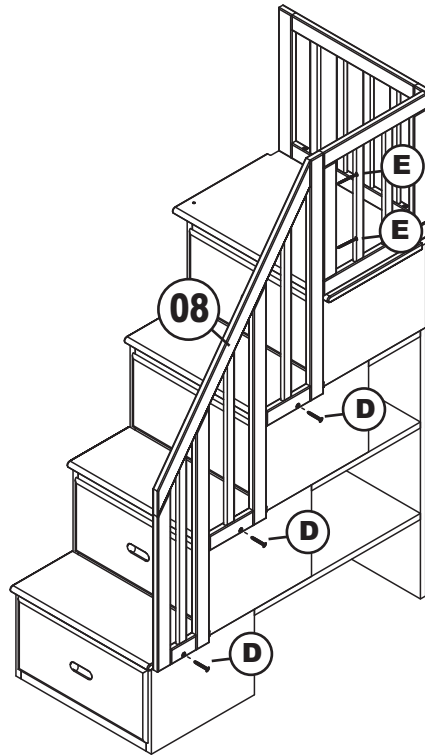
**STEP 16**

Attach side guard rail (07) as shown below. Using Allen screw M6 X 1 5/8" (D). Tighten with Allen wrench (P).



**STEP 17**

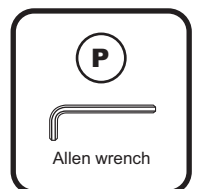
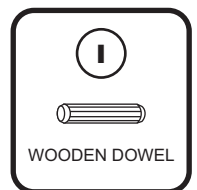
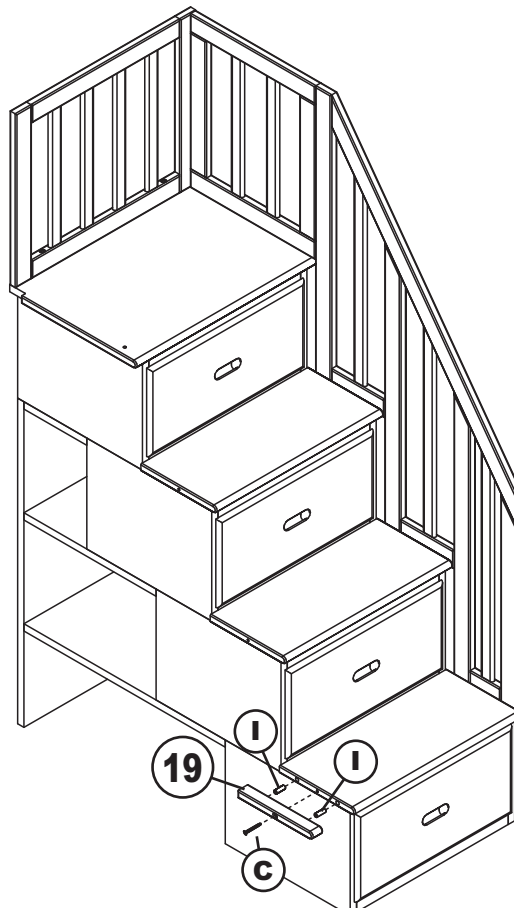
Attach hand guard rail (08) as shown below. Using Allen screw M6 X 3 1/8" (E) and M6 X 1 5/8" (D). Tighten with Allen wrench (P).



**STEP 18**

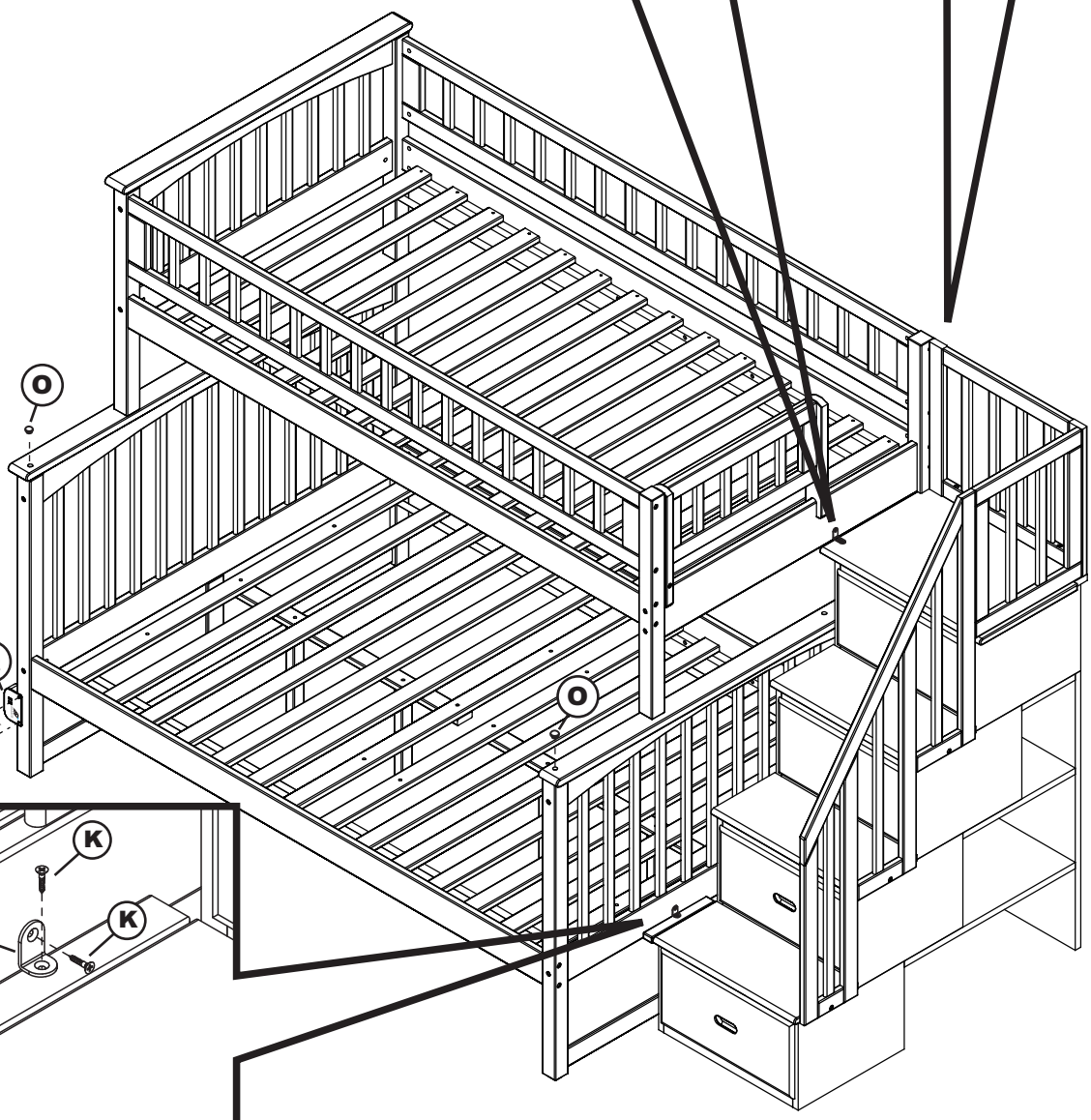
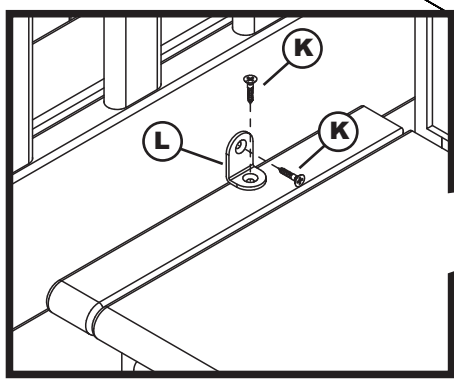
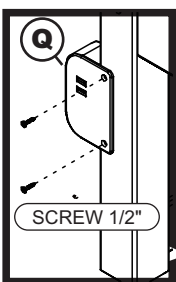
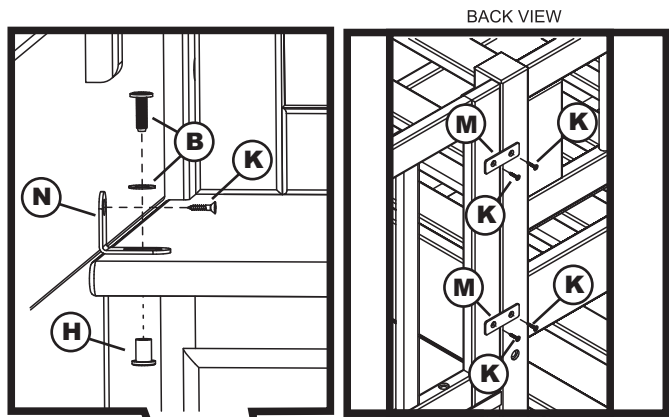
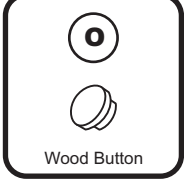
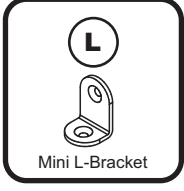
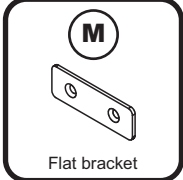
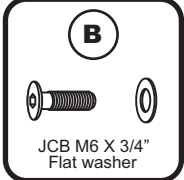
Attach special block full (19) as shown below. Using wood dowels (I) and Allen screw M6 X 2" (C). Tighten with Allen wrench (P).

Note: Using special block twin (18) for lower panel twin size.



**STEP 19**

Move the bunk bed and staircase assemblies where you want to place them in the room. Attach staircase assembly to the bunk bed assembly as shown below. Using mini L bracket (L), wood screw D6 X 5/8" (K). Using flat bracket (M), wood screw D6 X 5/8" (K). Using L-Bracket (N), JCB M6 X 3/4"+ washer (B) and wood screw D6 X 5/8" (K). Tighten with Allen wrench (P) and Phillips head screwdriver. (Customer supplied). Cover holes with wood buttons (O)(Twin Full, Full Full ). Lastly, Install USB charger (Q) to the location as shown below. Using 1/2" screws and tighten with Phillips head screw driver. (Customer supplied).



**Congratulations! TWIN OVER FULL SHOWN**

Your staircase bunk bed is now ready for use. We recommend that you double check that all screws are tight, and that all parts are secure before use and periodically check that all screws are tight to ensure lasting safety.

## ASSEMBLY INSTRUCTION ( TWIN SET OF 2 )

Before assembling your bed slat kit, please read through these instructions carefully and familiarize yourself with the different parts.

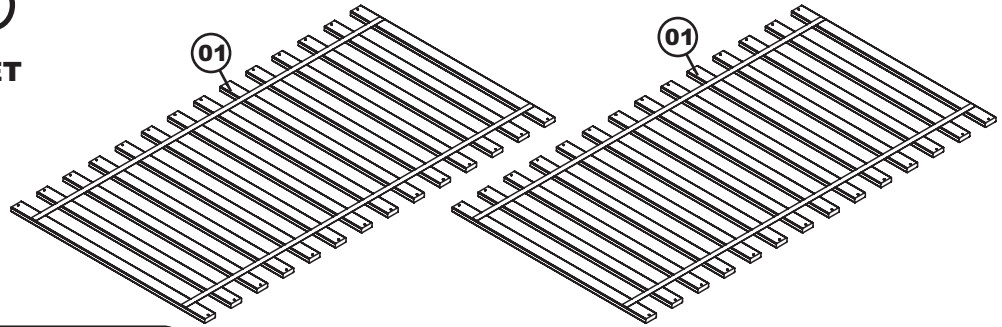
Please note that you will require a Phillips screwdriver.

**ATTENTION!** If you receive a damaged or defective item, please contact afifurnishings at customerservice@afifurnishings.com or 1-800-955-3726



### PARTS LIST

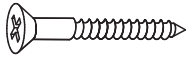
**01 SLAT KIT 2 SET**



CODE	ITEM
SL-PF	E-65200

NOTE: WE INCLUDE SPARE HARDWARE IN CASE DAMAGE OCCURS DURING ASSEMBLY.

**A**



1 1/4" Wood screw - 56 pcs  
Spare - 4 pcs

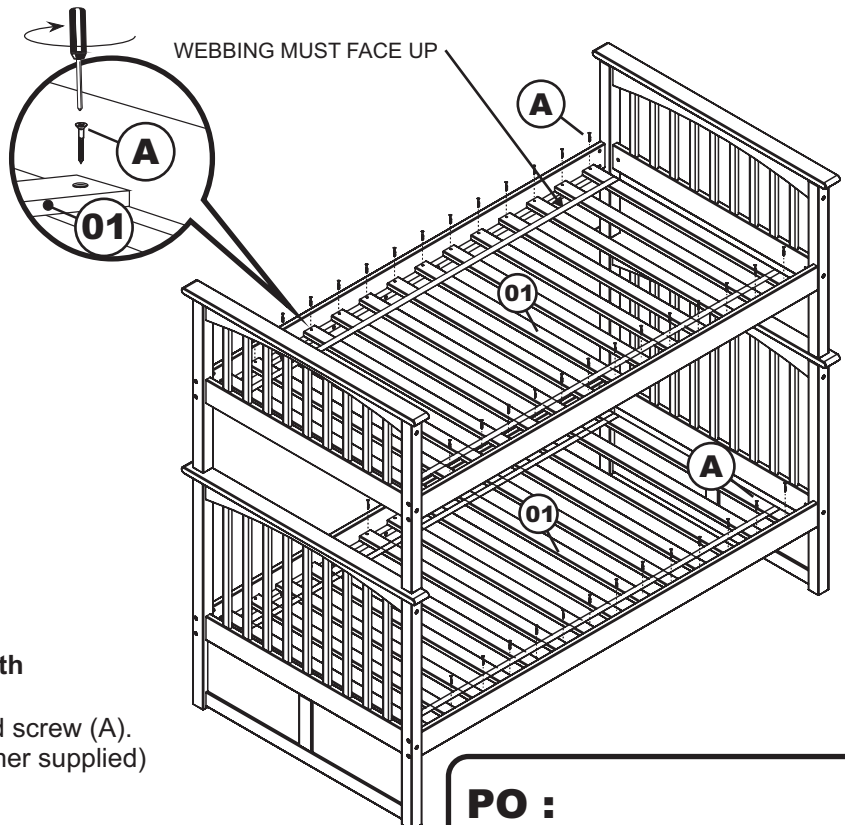
**HARDWARE**

### Step 1

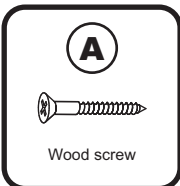
Assemble bunk bed according to assembly instructions.

### Step 2

Lay the slat kit onto the bed.



**PO :**



**Be sure to align slat kit evenly with both ends of side rail.**

Screw slat kit (01) to side rail, using wood screw (A). Tighten with Phillips screwdriver. (Customer supplied)

Be sure the space between slats is even.

**NOTE: WEBBING MUST FACE UP**