

Size of Mattress and Foundation

The length and width of the upper bunk mattress and foundation are as follows :

<u>Length</u>	<u>Width</u>	<u>Thickness</u>
74" - 75"	37 ½" - 38 ½"	9 ½" max

You must use only this size mattress.

Ensure thickness of mattress and foundation combined does not exceed 9 ½" and that the mattress is at least 5" below upper edge of guardrails.

This Bunk Bed uses a slat kit for mattress foundation.

Replacement Parts

Replacement parts, including additional guardrails, may be obtained from any Atlantic Furniture dealer



SAFETY WARNINGS



- (1) Follow the information on the warnings appearing on the upper bunk end structure and on the carton. Do not remove warning label from bed.
- (2) Always use the recommended size mattress, mattress support, or both, to help prevent the likelihood of entrapment or falls.
- (3) Surface of mattress must be at least 5 in. (127mm) below the upper edge of guardrails.
- (4) Do not allow children under 6 years of age to use the upper bunk.
- (5) Periodically check and ensure that the guardrail, ladder, and other component are in their proper position, free from damage, and that all connectors are tight.
- (6) Do not allow horseplay on, or under the bed, and prohibit jumping on the bed.
- (7) Do not use substitute parts. Contact the manufacturer for replacement parts.
- (8) Use of a night light may provide added safety precaution for a child using the upper bunk.
- (9) The use of water or sleep flotation mattress is prohibited.
- (10) Prohibit more than one person on upper bunk.
- (11) **STRANGULATION HAZARD** : Never attach or hang items to any part of the Bunk Bed that are not designed for use with the bed, including, but not limited to: hooks, belts and jump ropes.
- (12) Keep these instructions for future reference.



COLUMBIA STAIRCASE BUNK

ATLANTIC FURNITURE

ASSEMBLY INSTRUCTIONS

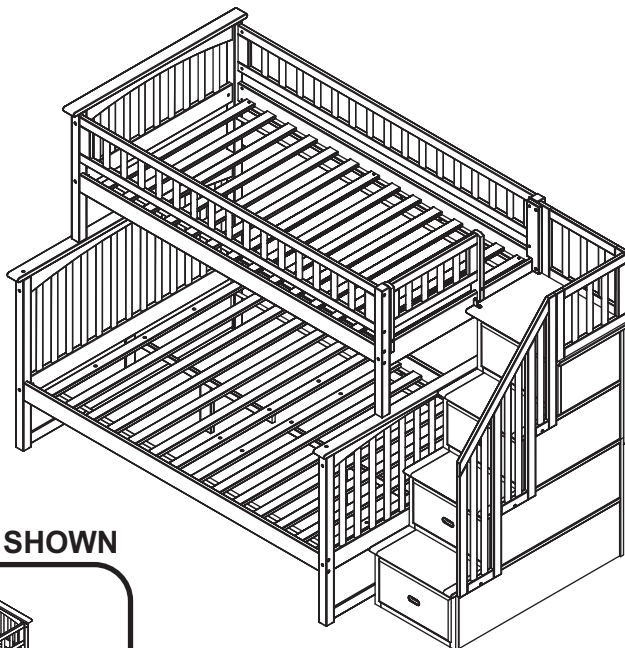
(TWIN - TWIN) (TWIN - FULL)

Thank you for choosing Atlantic's Staircase Bunk Bed.

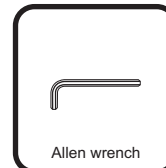
This practical design offers the utmost in versatility.

Before assembling your Columbia staircase bunk bed, please read through these instructions carefully, familiarizing yourself with the different parts.

Please note that you will require a Phillips head screwdriver and an Allen wrench.



Adult Assembly



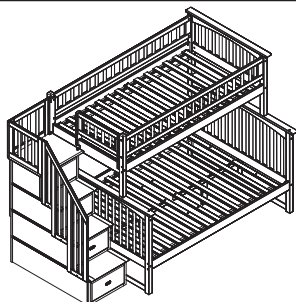
Allen wrench



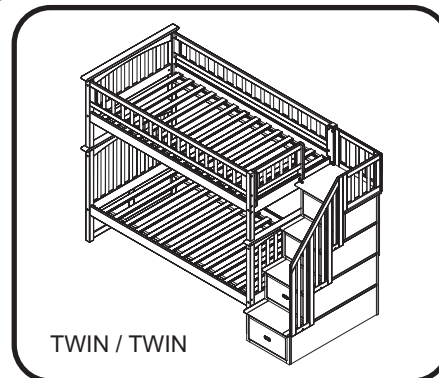
Customer Supplied

Phillips head screwdriver

TWIN OVER FULL SHOWN



STAIRCASE CAN BE SET UP AT EITHER END OF THE BUNK BED



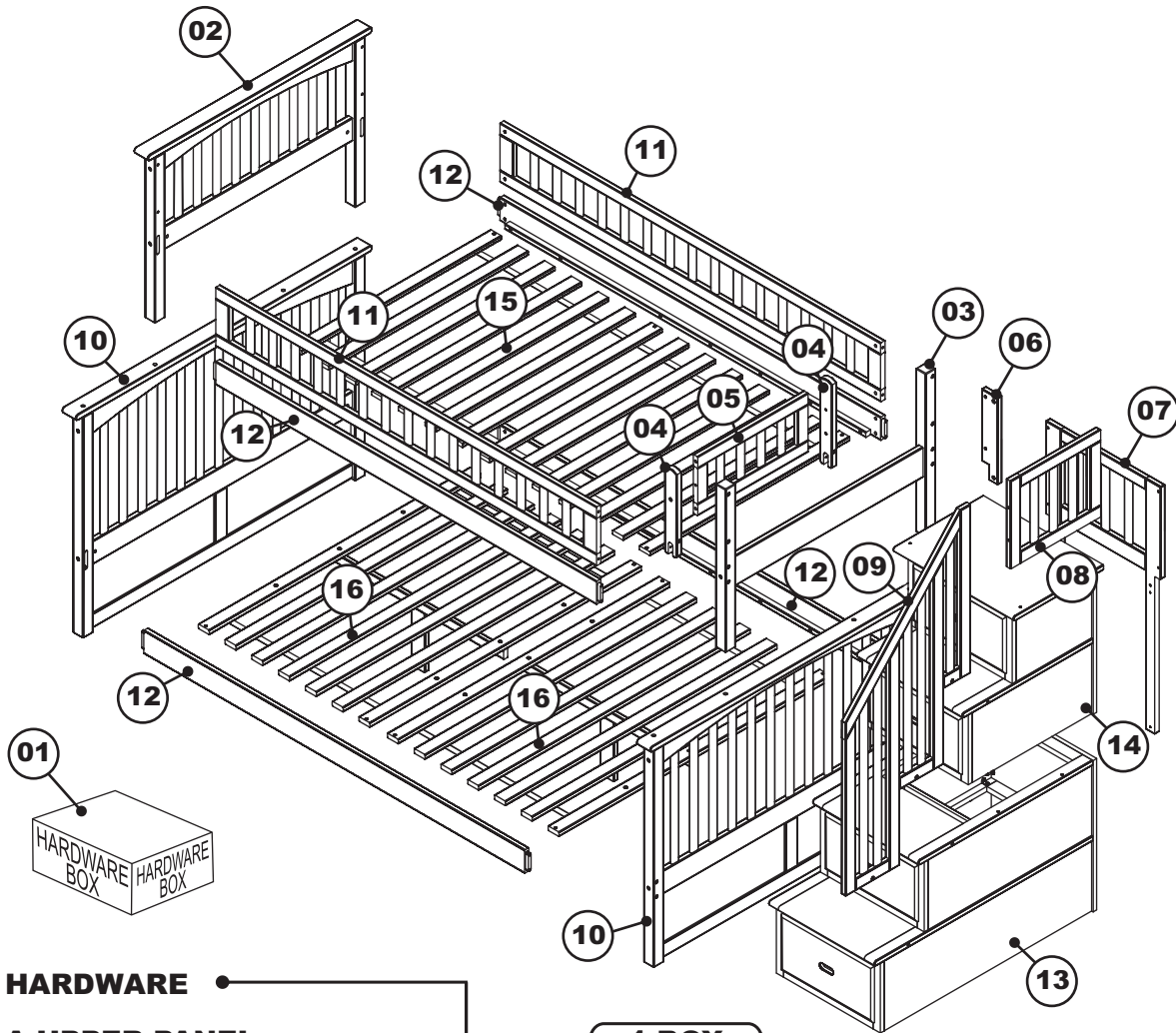
TWIN / TWIN

HARDWARE

NOTE : WE INCLUDE SPARE HARDWARE IN CASE THE ALLEN WRENCH, JCB, BARREL NUT, WOODEN DOWEL, WOOD SCREW OR WOOD SCREW ARE DAMAGED DURING ASSEMBLY.

- A** JCB M6 X 3 1/2"(90mm) - 24 pcs
Spare - 2 pcs
- B** JCB M6 X 2 1/4"(60mm) - 4 pcs
Spare - 1 pc
- C** JCB M6 X 1 1/2"(35mm) - 5 pcs
Spare - 1 pc
- D** JCB M6 X 1 1/4"(30mm) - 3 pcs
Spare - 1 pc
- E** JCB M6 X 3/4"(20mm) - 1 pc
Spare - 1 pc
Flat Washer - 1 pc
Spare - 1 pc
- F** Barrel Nuts - 26 pcs
Spare - 4 pcs
- G** Metal Pins - 4 pcs
- H** Cap Nut - 3 pcs
- I** 8 X 30mm
Wooden Dowel - 6 pcs
Spare - 1 pc
- J** Wood Screw 1" - 2 pcs
Spare - 1 pc
- K** Wood Screw 1 1/2" - 6 pcs
Spare - 2 pcs
- L** Wood screw 3/4" - 1 pc
Spare - 1 pc
- M** L Bracket - 1 pc
- N** In Full lower panel carton
Wood Button - 4 pcs
Spare - 1 pc
- O** Allen Wrench - 1 pc
Spare - 1 pc

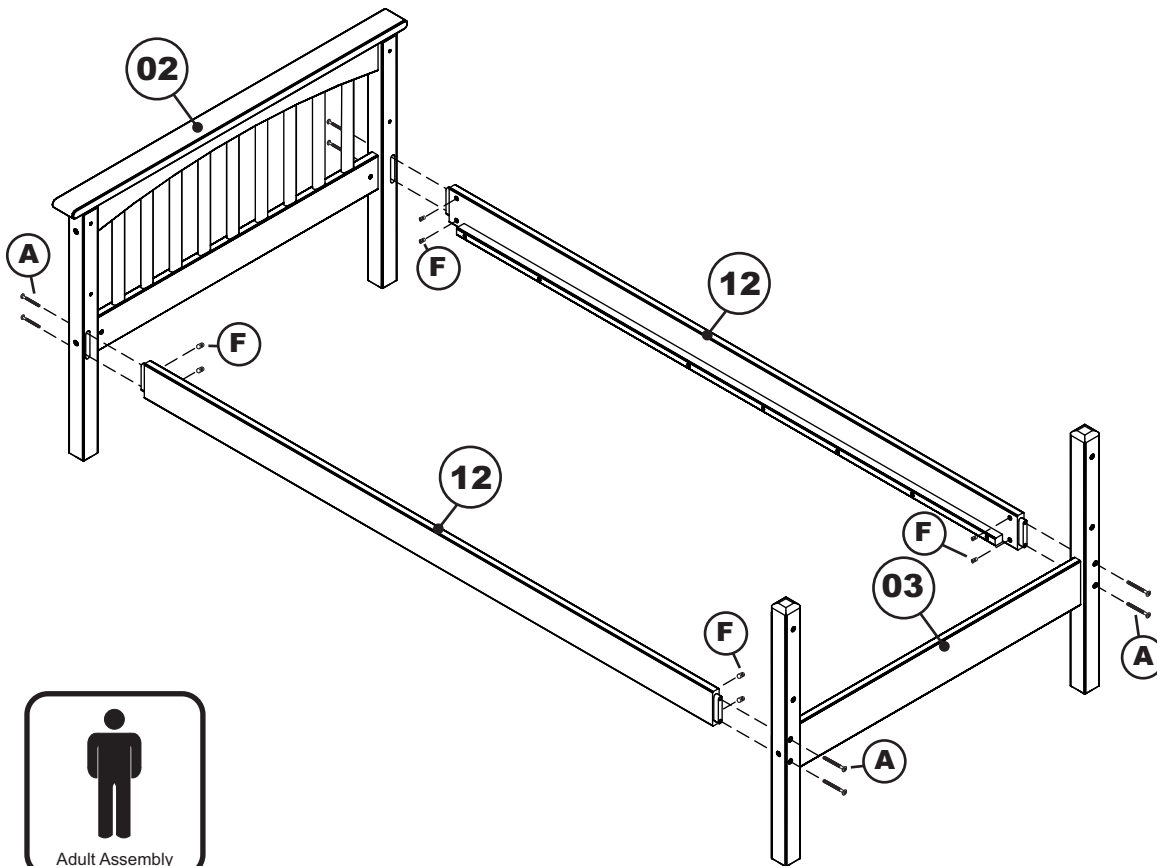
PARTS LIST



- | | | |
|----|-----------------------------|-------|
| 01 | HARDWARE | 1 BOX |
| 02 | A UPPER PANEL | 1 BOX |
| 03 | B UPPER PANEL | |
| 04 | LEFT, RIGHT END CAP | 1 BOX |
| 05 | SHORT GUARD RAIL | |
| 06 | WOOD BRACKET | |
| 07 | SMALL BACK GUARD RAIL | |
| 08 | SMALL SIDE GUARD RAIL | |
| 09 | STAIRCASE GUARD RAIL | 1 BOX |
| 10 | LOWER PANEL | |
| 11 | FRONT, BACK GUARDRAIL | 1 BOX |
| 12 | LONG RAILS | |
| 13 | LOWER STAIRCASE DRAWER STEP | 1 BOX |
| 14 | UPPER STAIRCASE DRAWER STEP | 1 BOX |
| 15 | TWIN SLAT KIT | 1 BOX |
| 16 | FULL LOWER BUNK SLAT KIT | 1 BOX |
| | OR | |
| 17 | TWIN LOWER BUNK SLAT KIT | 1 BOX |

STEP 1

Attach the long rails (12) to the A upper panel (02) and B upper panel (03), using JCB M6 X 3 1/2" (A), and barrel nut (F). Tighten with the Allen wrench (O).



A



JCB M6 X 3 1/2"

F



Barrel Nut

O



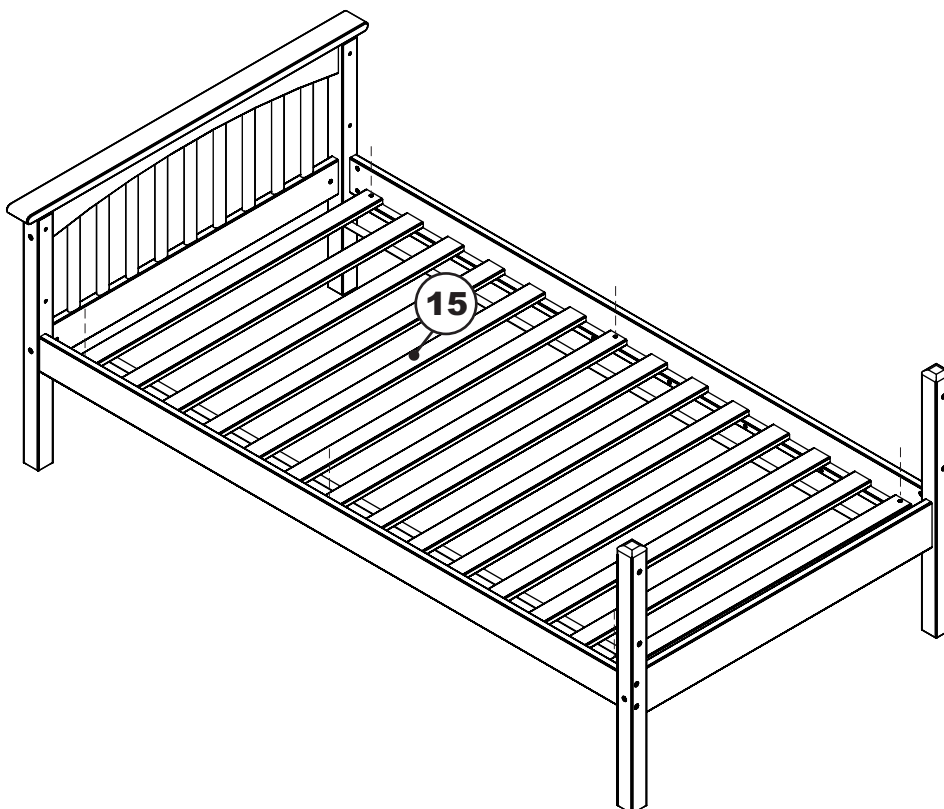
Allen wrench



Adult Assembly

STEP 2

Lay the twin slat kit (15) onto the bed. Fix in place using wood screws provided in the slat kit box. FOR SLAT KIT ASSEMBLY follow assembly instructions included with slat kit.



A



Adult Assembly

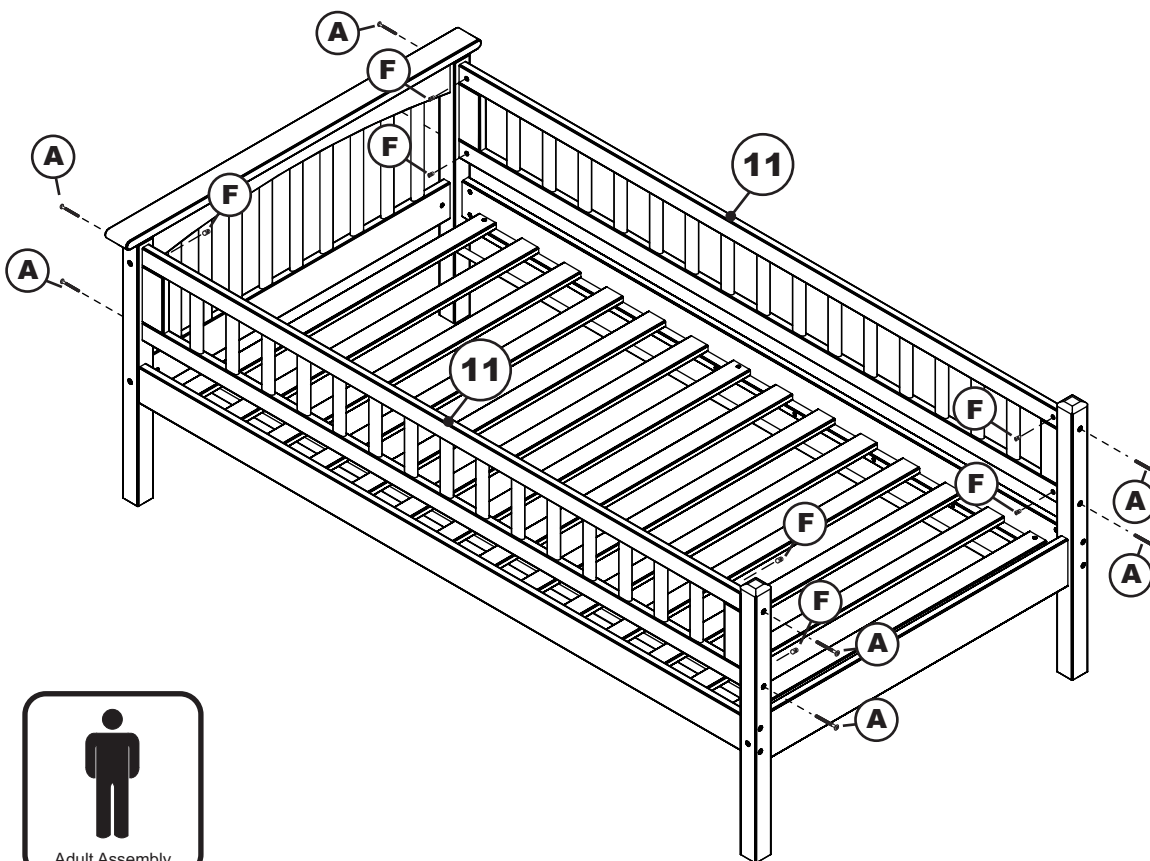
Customer Supplied



Phillips head
screwdriver

STEP 3

Attach the guard rails (11) to the upper panel assemblies using JCB M6 X 3 1/2" (A), and barrel nut (F). Tighten with the Allen wrench (O).



A



JCB M6 X 3 1/2"

F



Barrel Nut

O



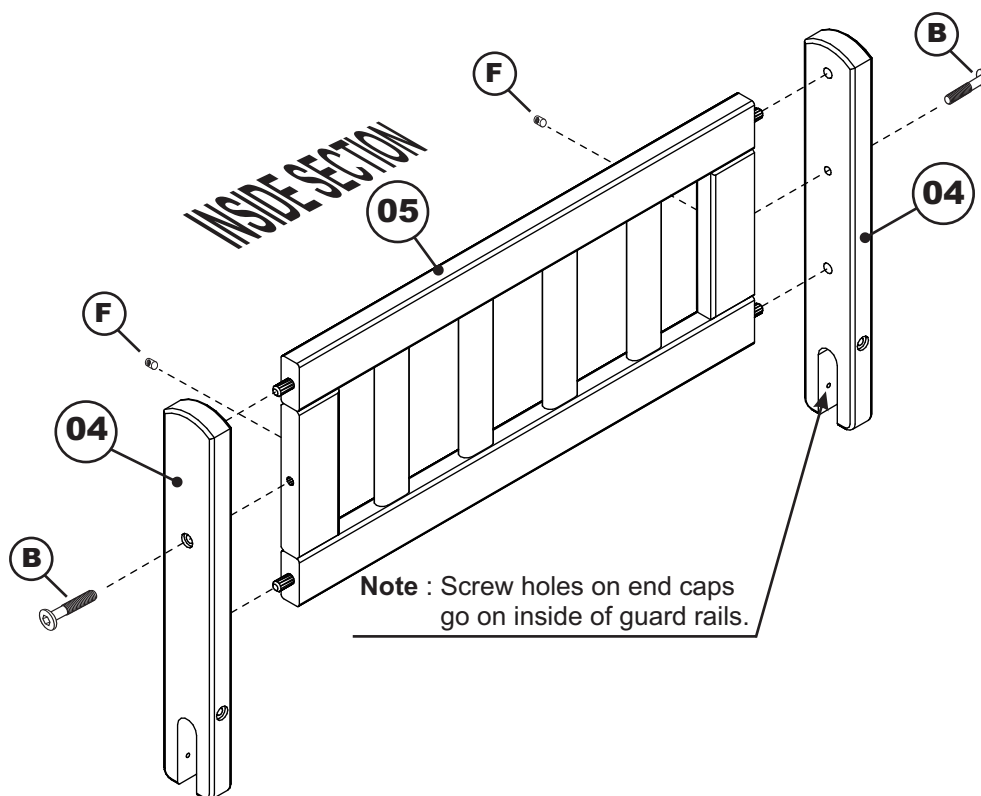
Allen wrench



Adult Assembly

STEP 4

Attach the short guard rail (05) to the end caps (04), using JCB M6 X 2 1/4" (B), and barrel nut (F). Tighten with the Allen wrench (O).



B



JCB M6 X 2 1/4"

F



Barrel Nut

O



Allen wrench

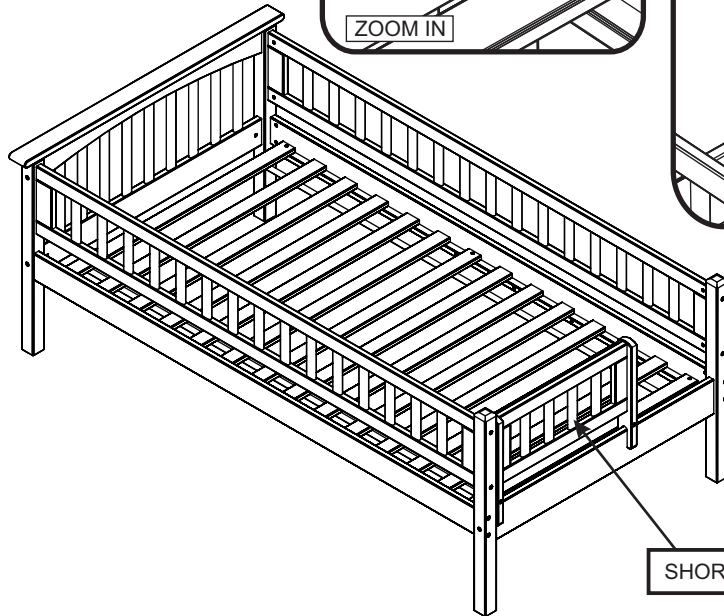
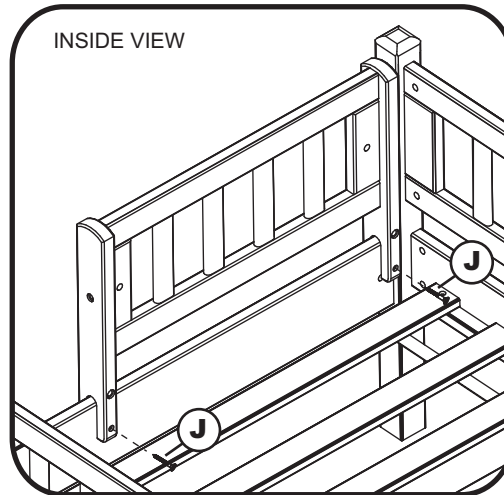
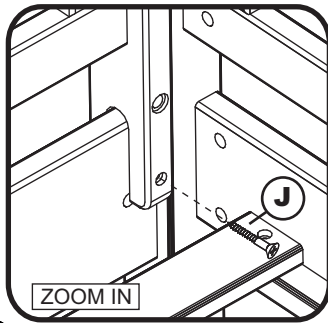


Adult Assembly

Note : Screw holes on end caps go on inside of guard rails.

STEP 5

Attach the short guard rail assemblies to the upper panel assemblies as shown below, using wood screw (J), tighten with the Phillips head screwdriver. (Customer supplied)

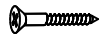


Note : Screw holes on end caps go on inside of guard rails.



Adult Assembly

J



WOOD SCREW
D6 X 1"

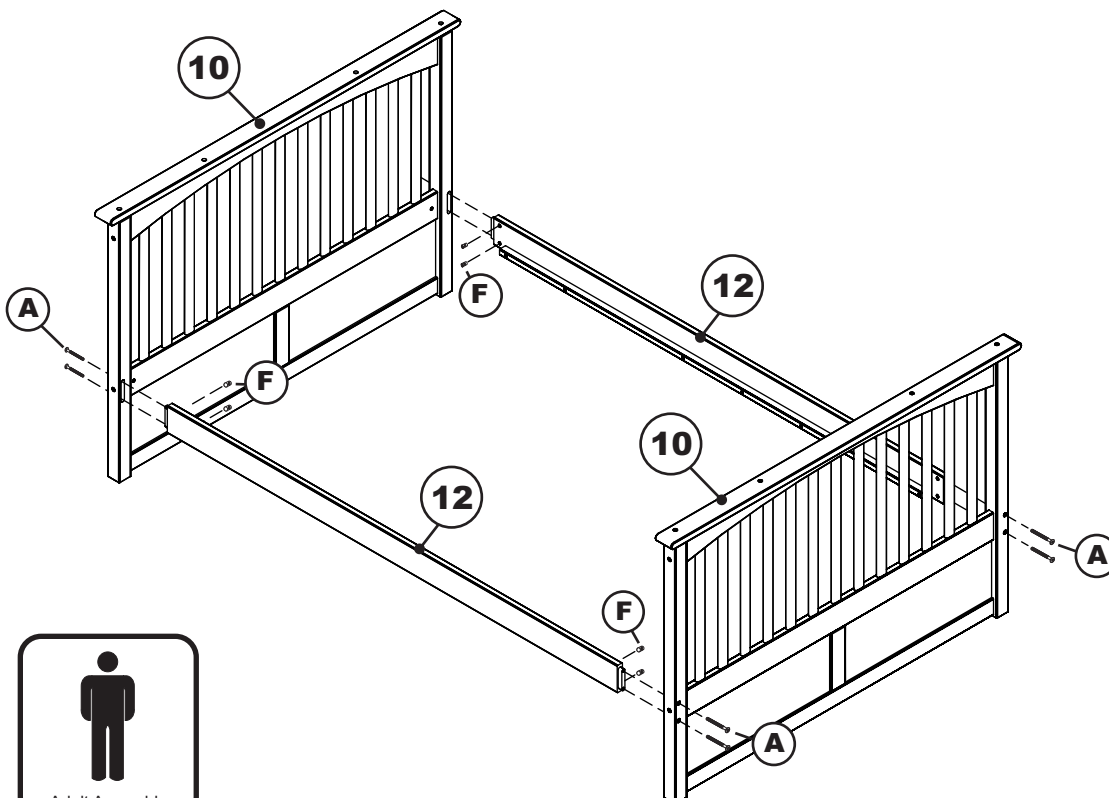
Customer Supplied



Phillips head
screwdriver

STEP 6

Attach the long rails (12) to the lower panel (10) using JCB M6 X 3 1/2" (A), and barrel nut (F). Tighten with the Allen wrench (O). Full lower panel shown. Twin over Twin bunk use Twin lower panel.



A



JCB M6 X 3 1/2"

F



Barrel Nut

O



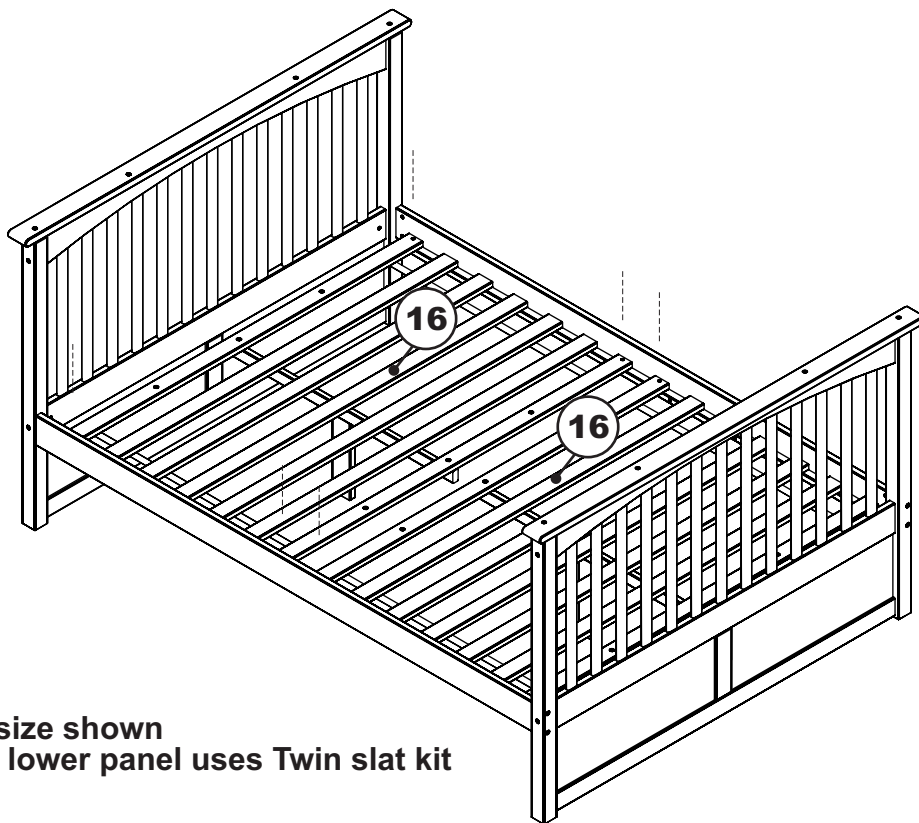
Allen wrench



Adult Assembly

STEP 7

Lay the full slat kit (16) onto the bed. Fix in place using wood screws provided in the slat kit box. FOR SLAT KIT ASSEMBLY follow assembly instructions included with slat kit.



Adult Assembly

Customer Supplied



Phillips head screwdriver

Full size shown
Twin lower panel uses Twin slat kit

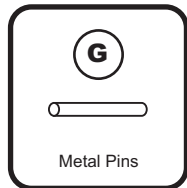
STEP 8

Insert metal pins (G) into the holes on top of the lower panels. Lift the upper panels onto the lower panels as shown, and fit the metal pins into the holes in the bottom of the upper panel legs.

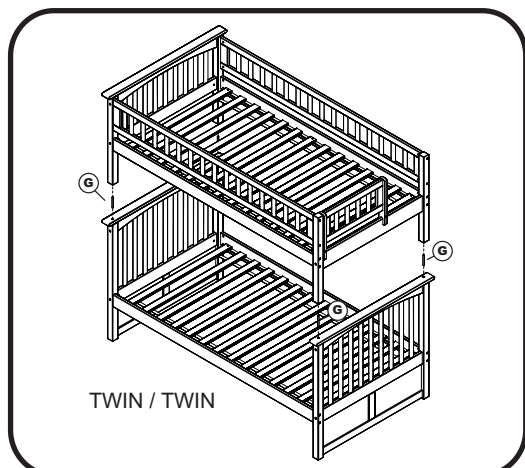
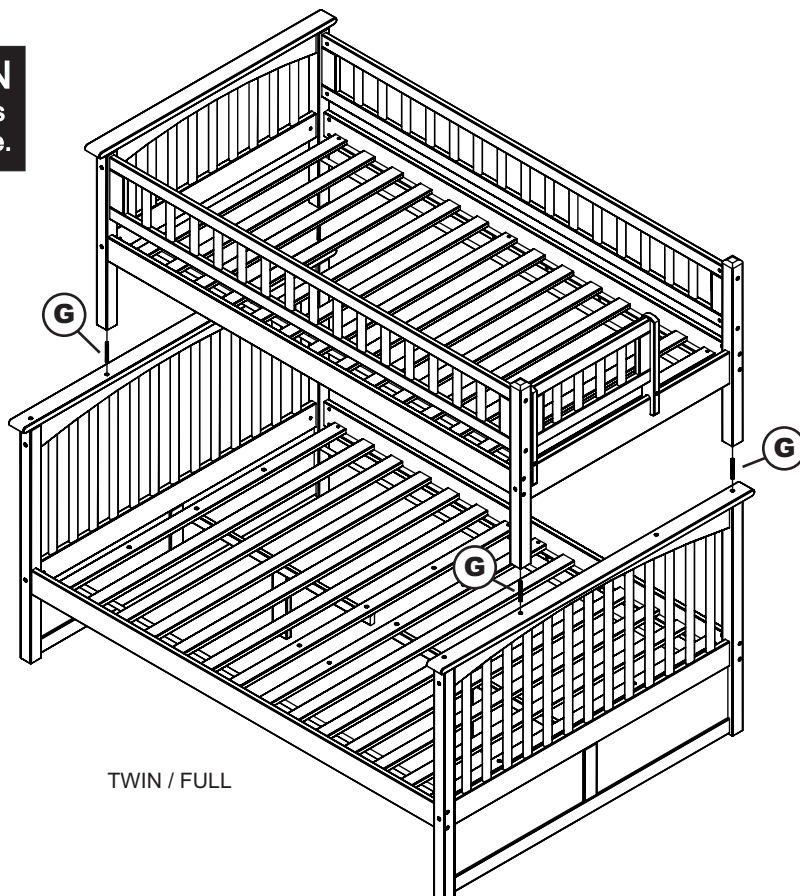


Adult Assembly

CAUTION
This step requires two strong people.



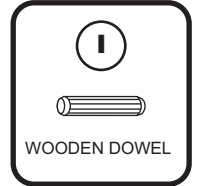
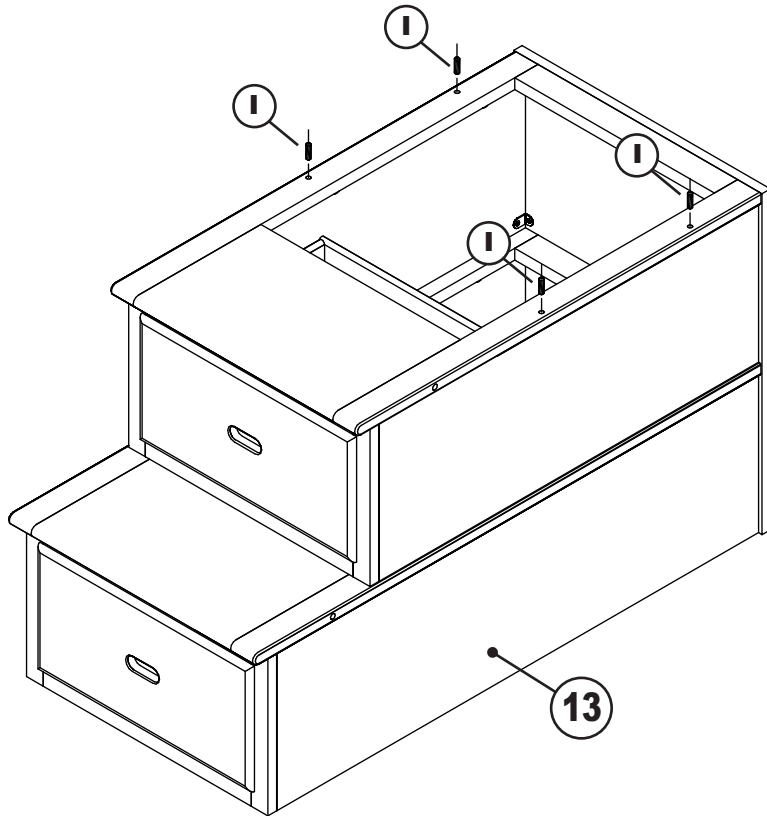
Metal Pins



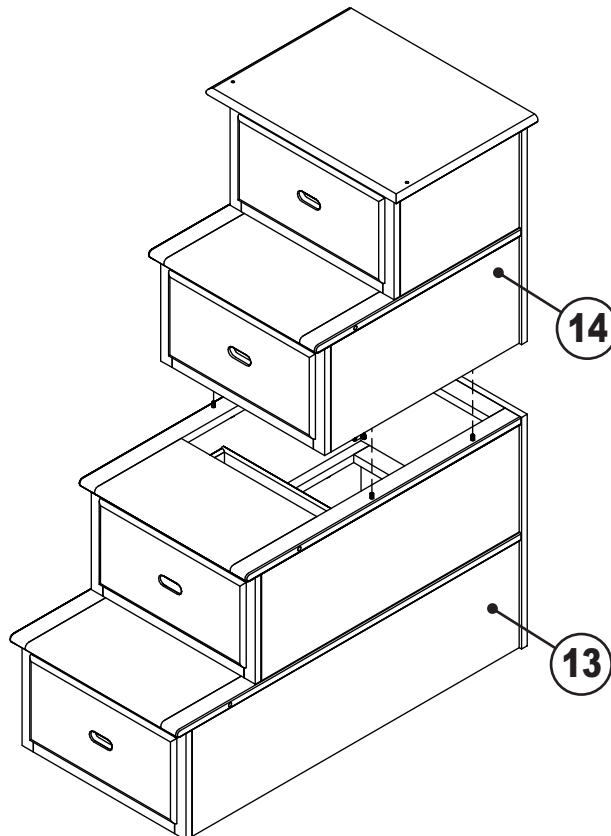
TWIN / TWIN

STEP 9

Insert wooden dowel (I) into the lower staircase drawer step (13) as shown below.

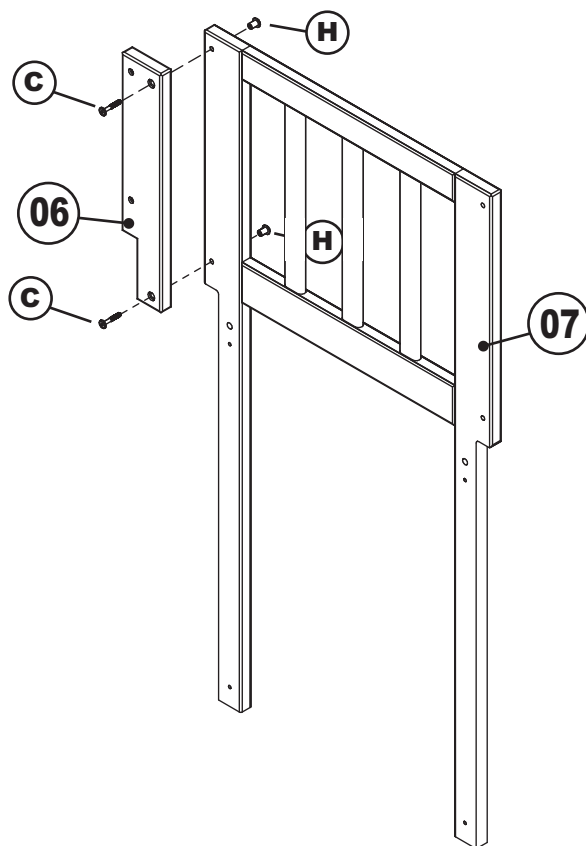
**STEP 10**

Lift the upper staircase drawer step (14) onto the lower staircase drawer step (13) as shown below and fit the wooden dowel into the holes in the bottom of the upper staircase drawer step (14).



STEP 11

Attach the small back guard rail (07) to the wood bracket (06) . Using JCB M6 X 1 1/2" (C) and cap nut (H). Tighten with the Allen wrench (O).



Adult Assembly



JCB M6 X 1 1/2"



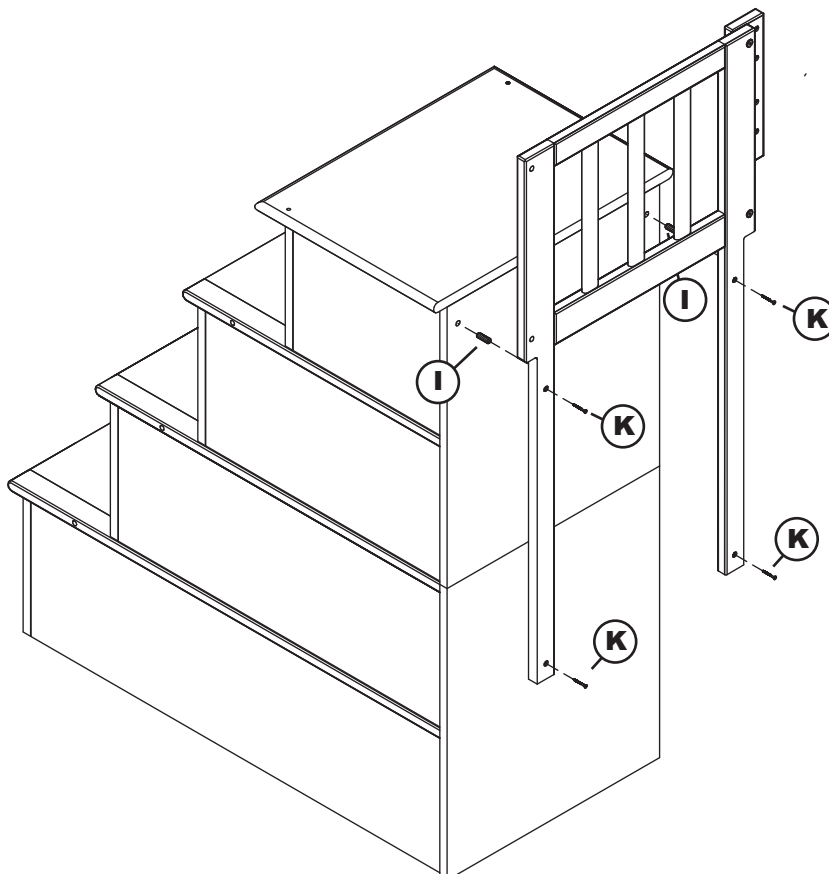
Cap Nut



Allen wrench

STEP 12

Attach the small guard rail assemblies to the staircase assemblies as shown below . Using wooden dowel (I) and wood screw (K) tighten with the Phillips head screwdriver. (Customer Supplied)



Adult Assembly



WOODEN DOWEL



WOOD SCREW
6 X 1 1/2"

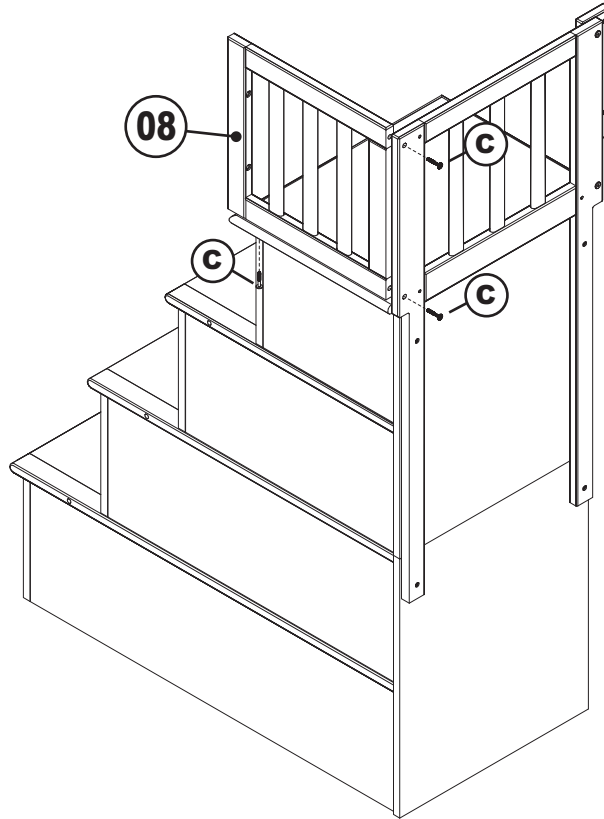
Customer Supplied



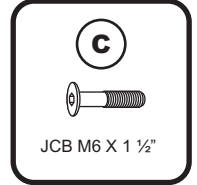
Phillips head
screwdriver

STEP 13

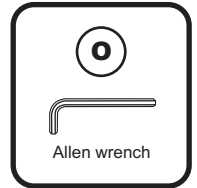
Attach the small side guard rail (08) to the staircase assemblies as shown below .
Using JCB M6 X 1 1/2" (C), tighten with the Allen wrench (O).



Adult Assembly



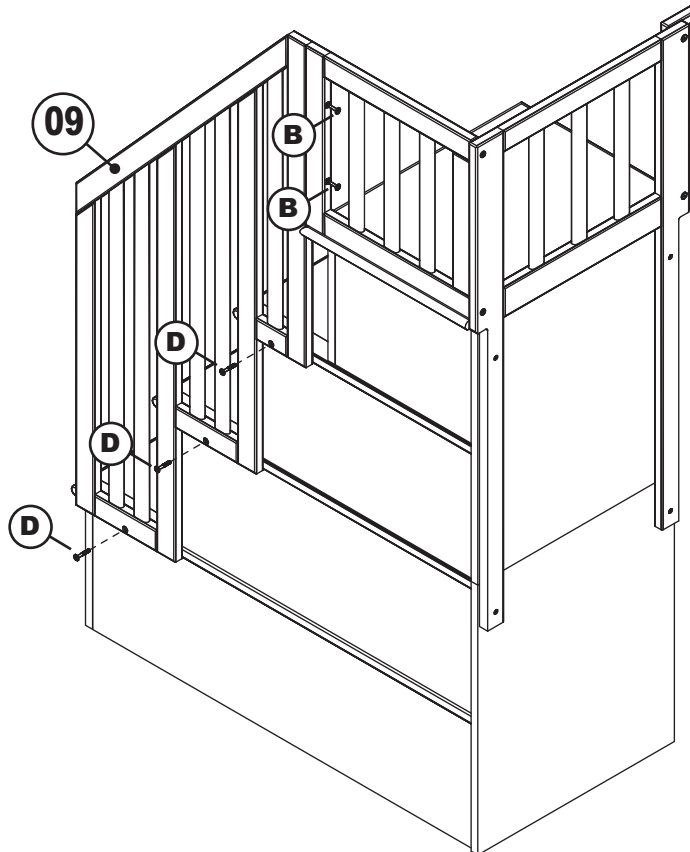
JCB M6 X 1 1/2"



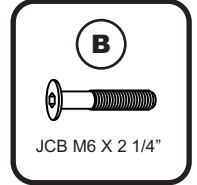
Allen wrench

STEP 14

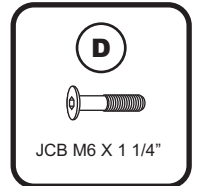
Attach the staircase guard rail (09) to the staircase assemblies as shown below .
Using JCB M6 X 1 1/4" (D) and JCB M6 X 2 1/4"(B), tighten with the Allen wrench (O).



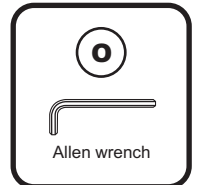
Adult Assembly



JCB M6 X 2 1/4"



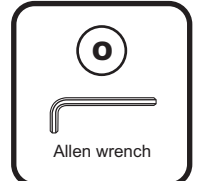
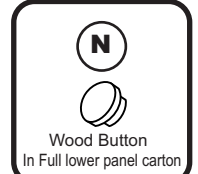
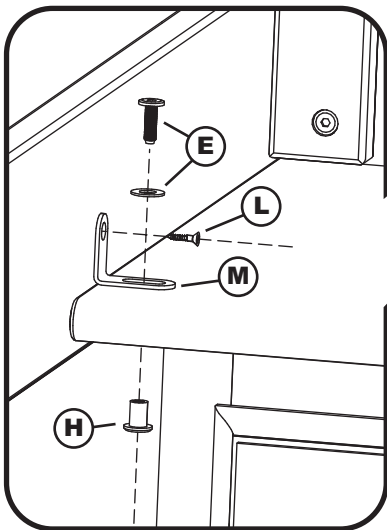
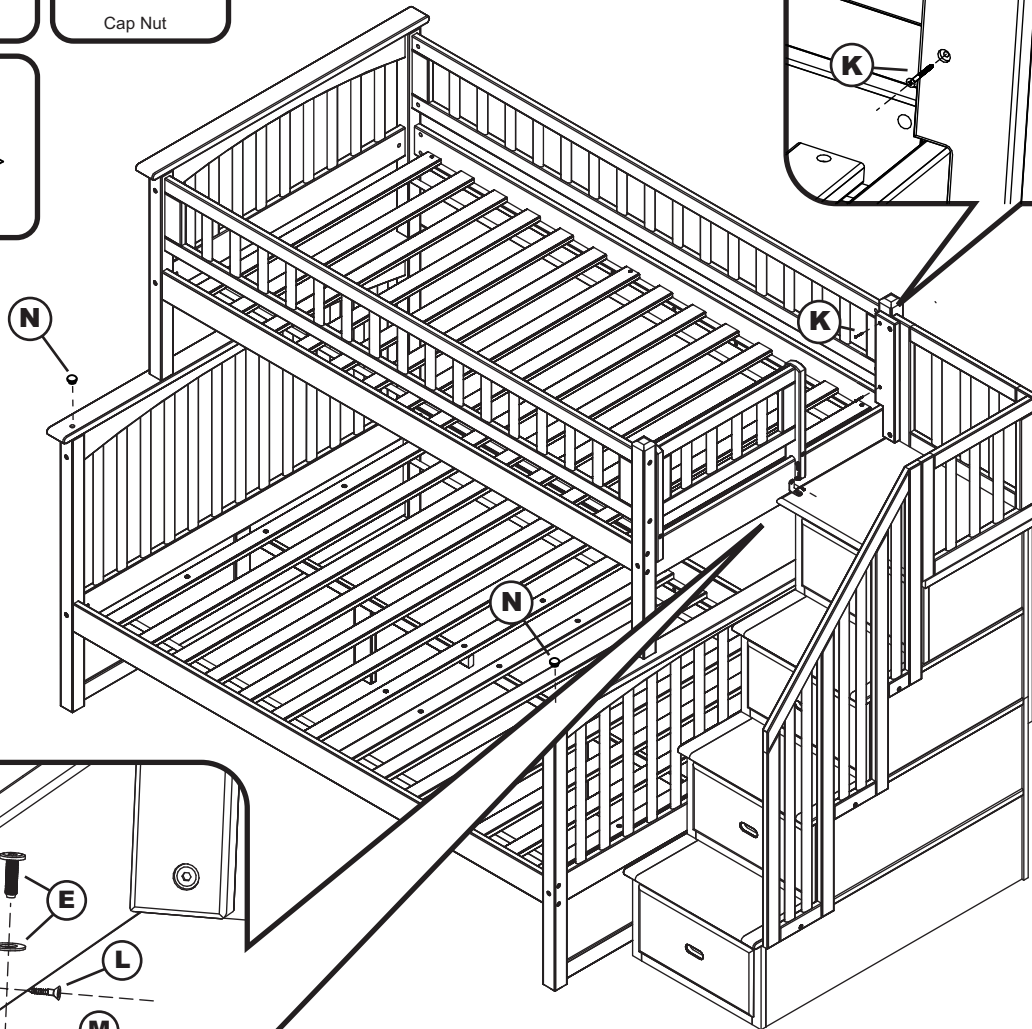
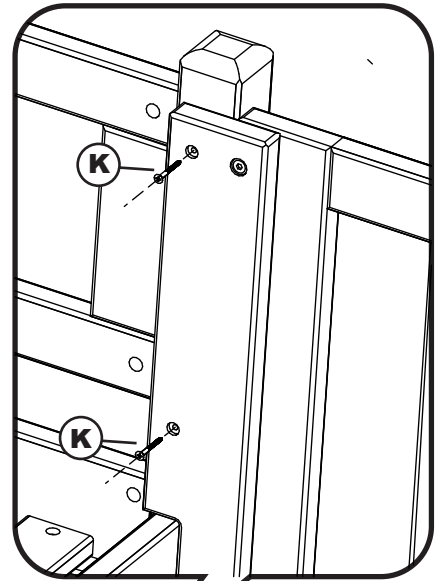
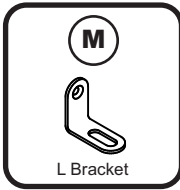
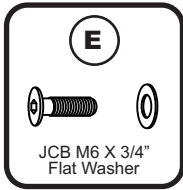
JCB M6 X 1 1/4"



Allen wrench

STEP 15

Move the bunk bed and staircase assemblies where you want to place them in the room. Attach staircase assembly to the bunk bed assembly as shown below. Fix wood bracket to upper bunk panel using wood screws as shown.



Using L bracket (M), JCB (E) and cap nut (H). Tighten with Allen wrench (O). Insert wood screw (K)(L) tighten with Phillips head screwdriver. Lastly, cover holes with wood buttons (N)(Twin Full only).

Congratulations !

Your Columbia staircase bunk bed is now ready for use.

We recommend that you double check that all screws are tight, and that all parts are secure before use. Periodically check that all screws are tight to ensure lasting safety.