

Size of Mattress and Foundation

The length and width of the upper and lower bunk mattress and foundation are as follows :

<u>Size</u>	<u>Length</u>	<u>Width</u>	<u>Thickness</u>
Twin	74" - 75"	37 ½" - 38 ½"	9 ½" max
Full	74" - 75"	52" - 53"	9 ½" max

You must use only this size mattress.

Ensure thickness of upper and lower mattress and foundation combined does not exceed 9 ½" and that the mattress is at least 5" below upper edge of guardrails.

This Bunk Bed uses a slat kit for mattress foundation.

Replacement Parts

Replacement parts, including additional guardrails, may be obtained from any affurnishings dealer



SAFETY WARNINGS



- (1) Follow the information on the warnings appearing on the upper bunk end structure and on the carton. Do not remove warning label from bed.
- (2) Always use the recommended size mattresses or mattress support, or both, to help prevent the likelihood of entrapment or falls.
- (3) Surface of mattress must be at least 5 in. (127mm) below the upper edge of guardrails.
- (4) Do not allow children under 6 years of age to use the upper bunk.
- (5) Periodically check and ensure that the guardrail, ladder, and other components are in their proper position, free from damage, and that all connectors are tight.
- (6) Do not allow horseplay on or under the bed and prohibit jumping on the bed.
- (7) Always use ladder for entering or leaving upper bunk.
- (8) Do not use substitute parts. Contact the manufacturer or dealer for replacement parts.
- (9) Use of a night light may provide added safety precaution for a child using the upper bunk.
- (10) Always use guardrails on both long sides of the upper bunk. If the bunk bed will be placed next to the wall, the guardrail that runs the full length of the bed should be placed against the wall to prevent entrapment between the bed and the wall.
- (11) The use of water or sleep flotation mattresses is prohibited.
- (12) **STRANGULATION HAZARD** : Never attach or hang items to any part of the bunk bed that are not designed for use with the bed; for example, but not limited to, hooks, belts and jump ropes.
- (13) Keep these instructions for future reference.

ASSEMBLY INSTRUCTIONS

(TWIN - TWIN) (TWIN - FULL) (FULL - FULL)

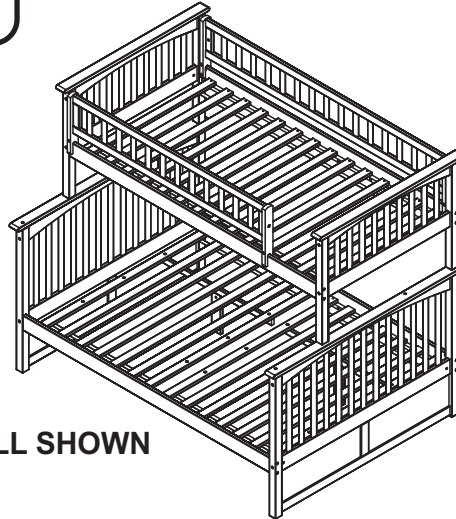
Before assembling your bunk bed, please read through these instructions carefully and familiarize yourself with the different parts.

ATTENTION! If you receive a damaged or defective item, please contact afifurnishings at customerservice@afifurnishings.com or 1-800-955-3726

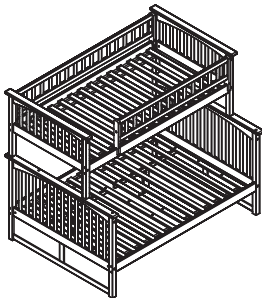
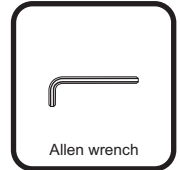


PO :

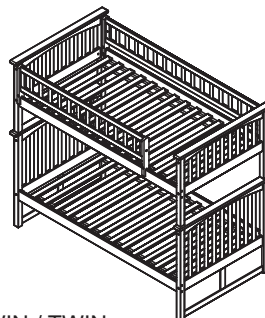
CODE	ITEM
BK-LDGR-COL	B-5400X
BK-LDPL-COL	B-5510X
BK-LDPL-COL	B-5500X
BK-LDPL-COL	B-5520X
BK-LDPL-COL	B-5550X



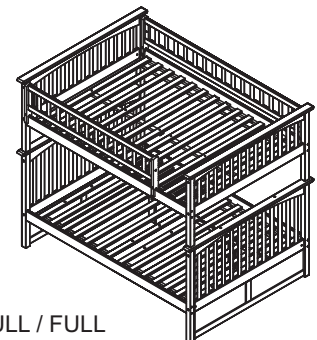
TWIN OVER FULL SHOWN



TWIN / FULL



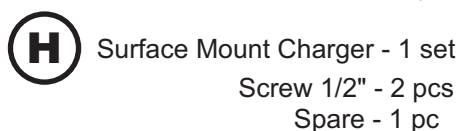
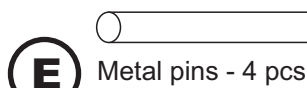
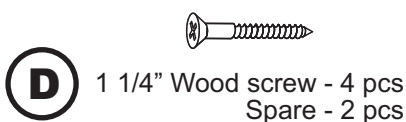
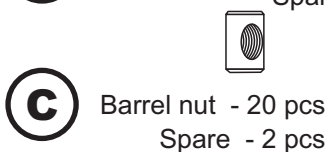
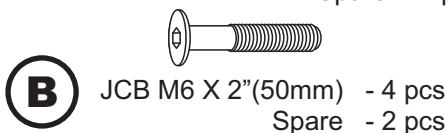
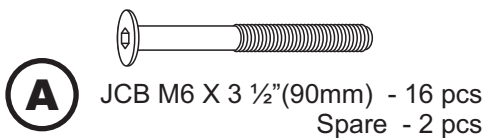
TWIN / TWIN



FULL / FULL

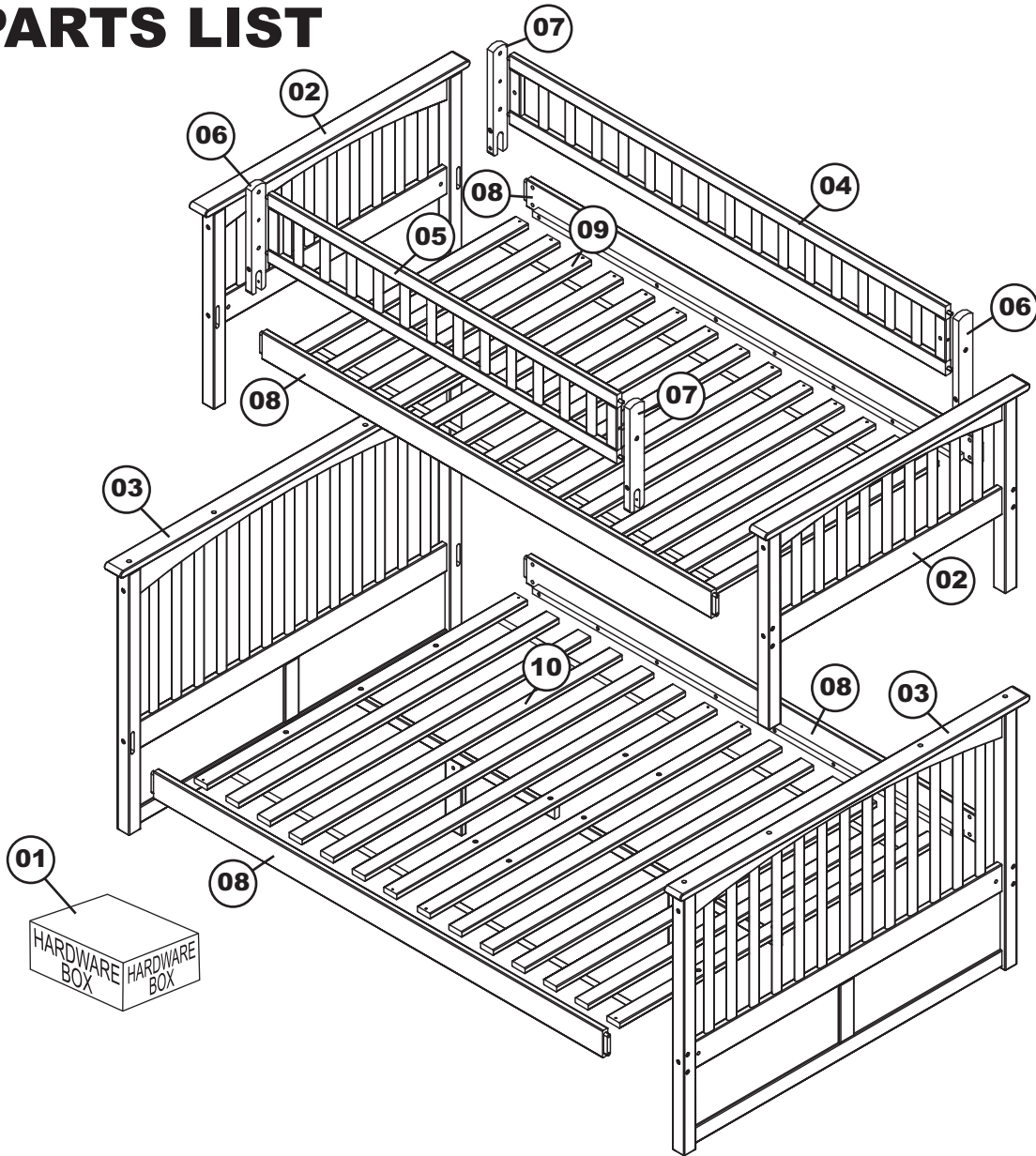
HARDWARE

NOTE: WE INCLUDE SPARE HARDWARE IN CASE DAMAGE OCCURS DURING ASSEMBLY.



TWIN OVER FULL SHOWN

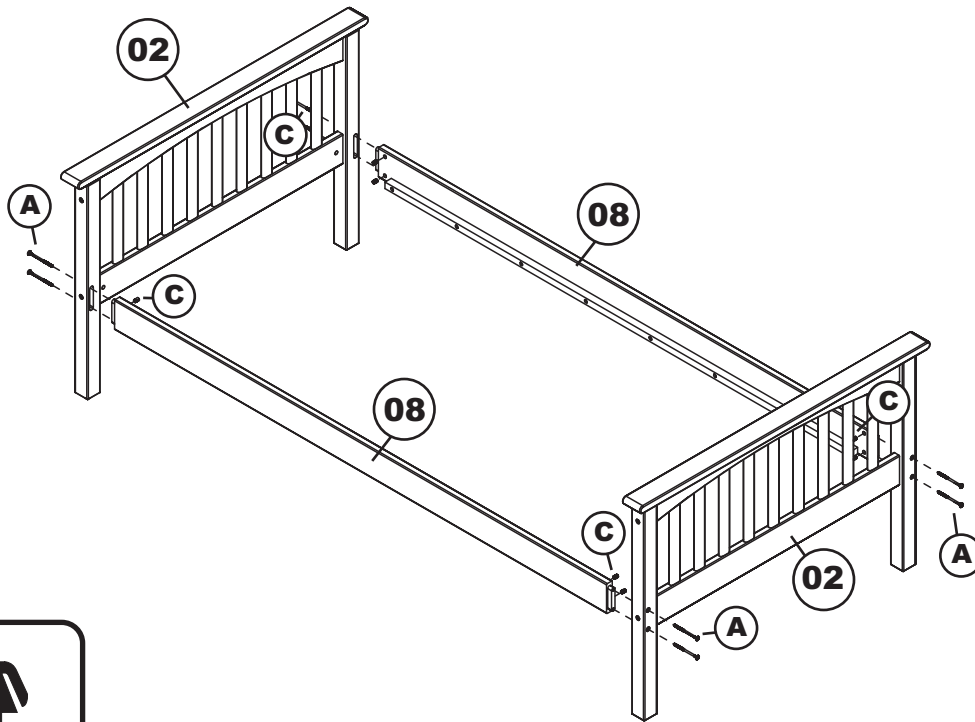
PARTS LIST



- | | | | |
|----|--------------------------|--|-------|
| 01 | HARDWARE | | 1 BOX |
| 02 | UPPER PANEL | | 1 BOX |
| 03 | LOWER PANEL | | 1 BOX |
| 04 | FULL GUARD RAIL | | |
| 05 | 3/4 GUARD RAIL | | |
| 06 | LEFT END CAPS | | 1 BOX |
| 07 | RIGHT END CAPS | | |
| 08 | LONG RAIL | | |
| 09 | TWIN SLAT KIT | | 1 BOX |
| | OR | | |
| | FULL UPPER BUNK SLAT KIT | | 1 BOX |
| 10 | FULL LOWER BUNK SLAT KIT | | 1 BOX |
| | OR | | |
| | TWIN LOWER BUNK SLAT KIT | | 1 BOX |

Step 1

Attach the long rails (08) to the upper panels (02), using JCB M6 X 3 1/2" (A), and barrel nut (C). Tighten with the Allen wrench (G).



A



JCB M6 X 3 1/2"

C



Barrel nut

G



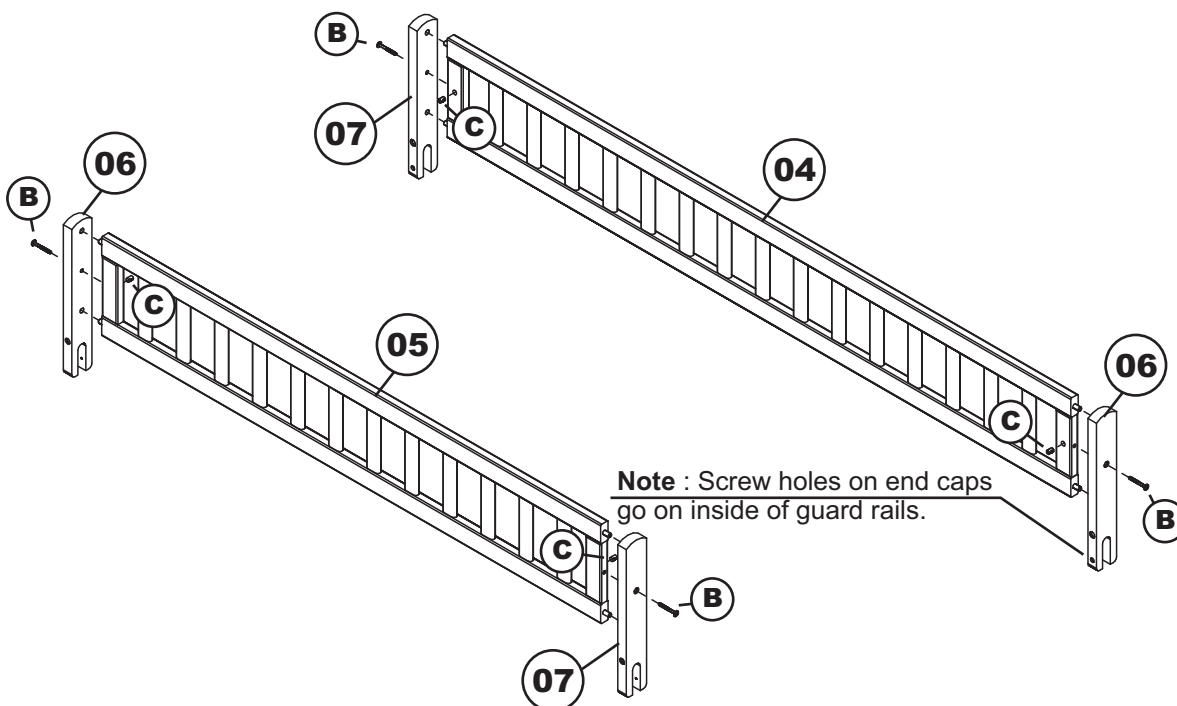
Allen wrench



Adult assembly

Step 2

If the bunk bed will be placed next to a wall, the guard rail that runs the full length of the bed should be placed against the wall to prevent entrapment between the bed and the wall.



Note : Screw holes on end caps go on inside of guard rails.



Adult assembly

B



JCB M6 X 2"

C



Barrel nut

G

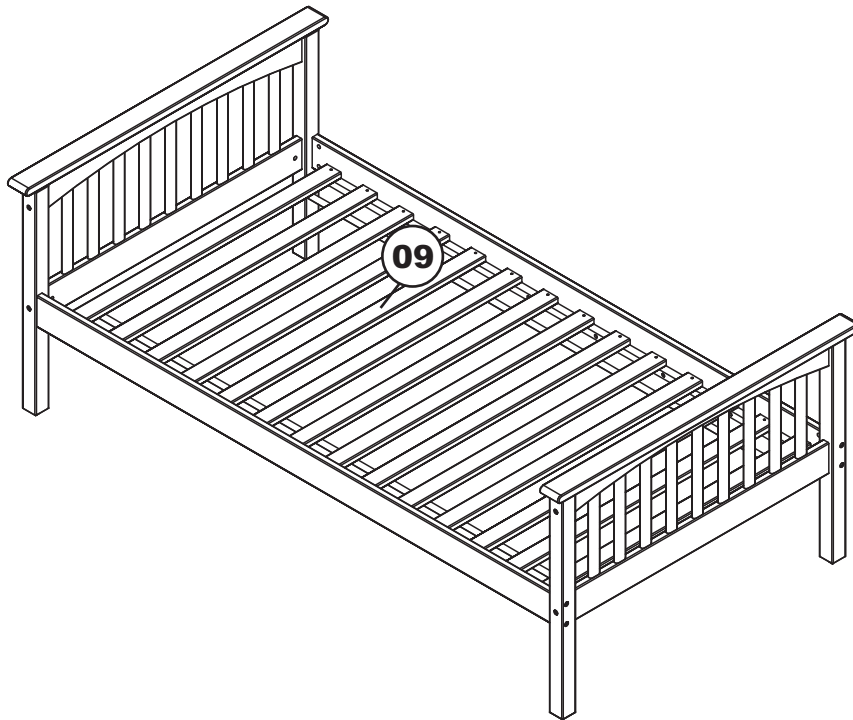


Allen wrench

Attach the full guard rail (04) to the end caps (06)(07), using JCB M6 X 2" (B), and barrel nut (C). Tighten with the Allen wrench (G). Repeat for 3/4 guard rail (05).

Step 3

Lay the twin slat kit (09) onto the bed. Fix in place using wood screws provided in the slat kit box. FOR SLAT KIT ASSEMBLY follow assembly instructions included with slat kit.



Adult assembly



Customer supplied

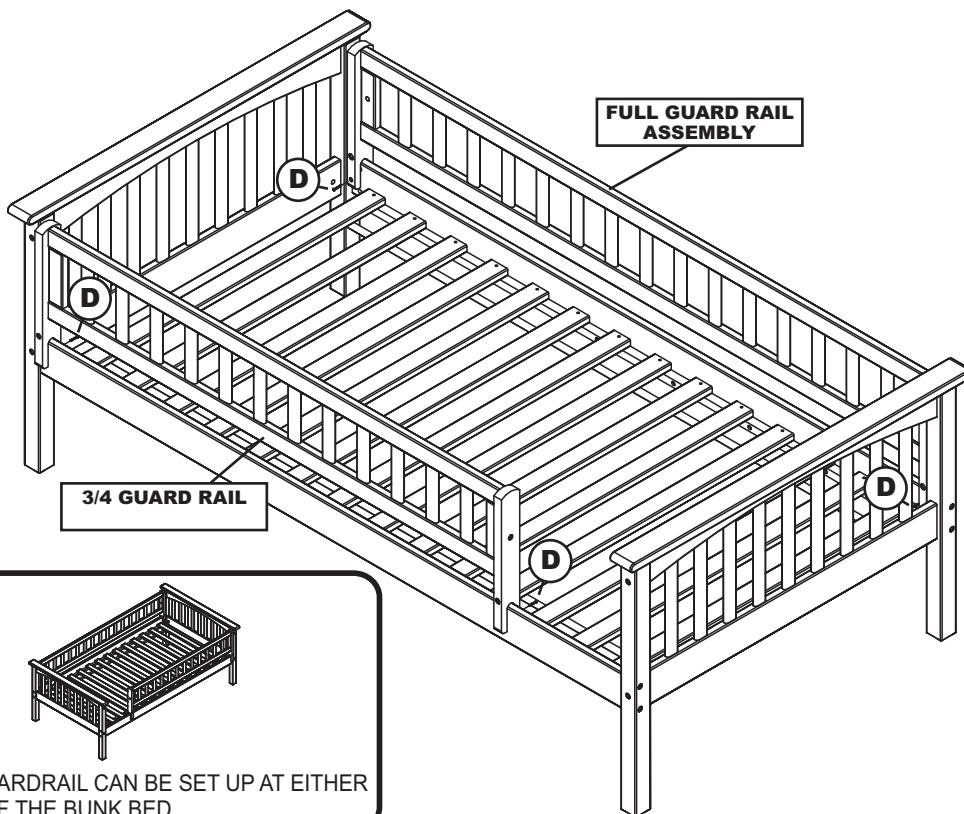


Phillips head screwdriver

Twin size shown
Full Upper panel uses Full upper slat kit

Step 4

Install the full and 3/4 guard rail assemblies onto the long rails, and fix in place using wood screws (D). Tighten with the Phillips head screwdriver.(Customer supplied)



Adult assembly



1 1/4" Wood screw



Customer supplied



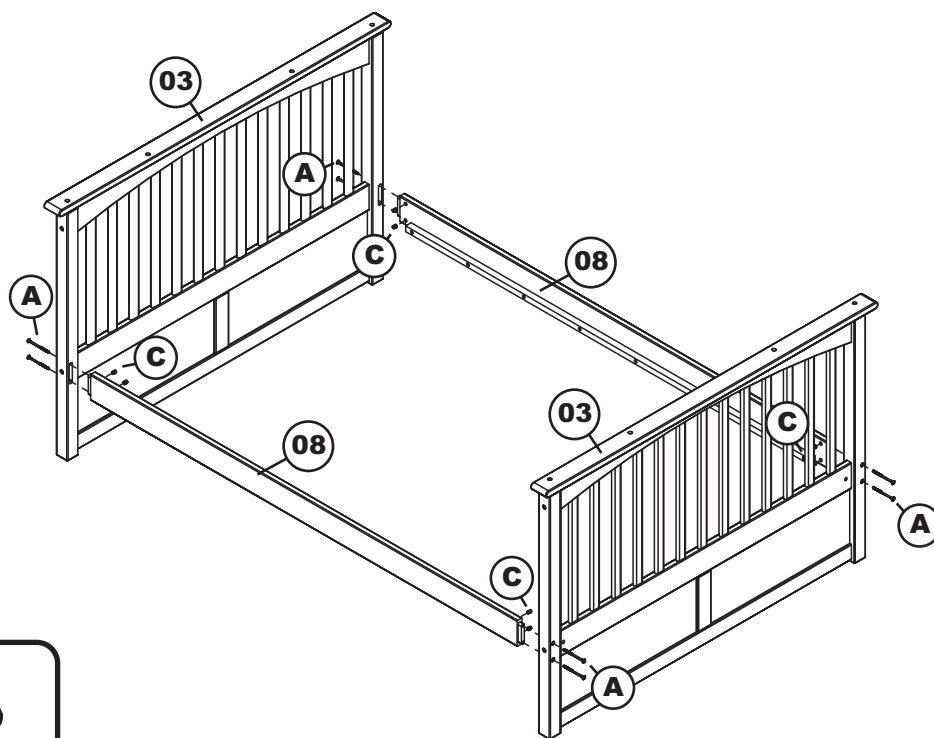
Phillips head screwdriver



3/4 GUARDRAIL CAN BE SET UP AT EITHER END OF THE BUNK BED

Step 5

Attach the long rails (08) to the lower panel (03), using JCB M6 X 3 1/2" (A), and barrel nut (C). Tighten with the Allen wrench (G).



A



JCB M6 X 3 1/2"

C



Barrel nut

G



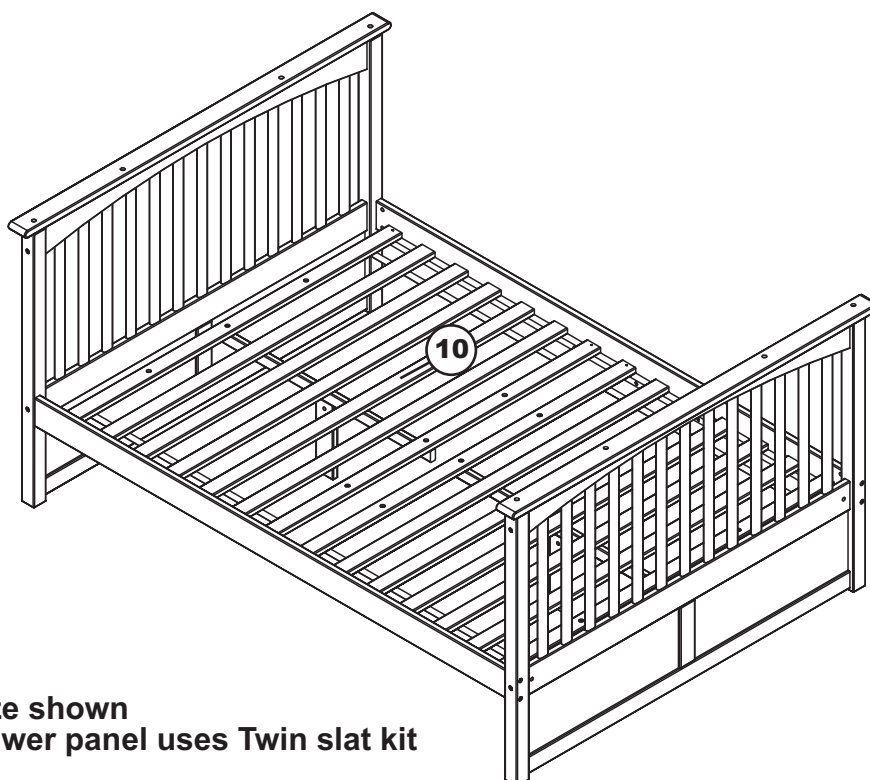
Allen wrench



Adult assembly

Step 6

Lay the slat kit with center support (10) onto the bed, and fix in place using wood screws provided in the slat kit box. FOR SLAT KIT ASSEMBLY follow assembly instructions included with slat kit.



Adult assembly

Customer supplied

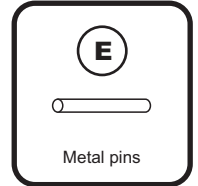
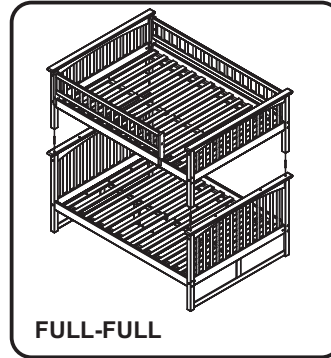
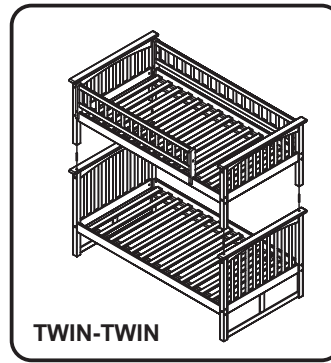
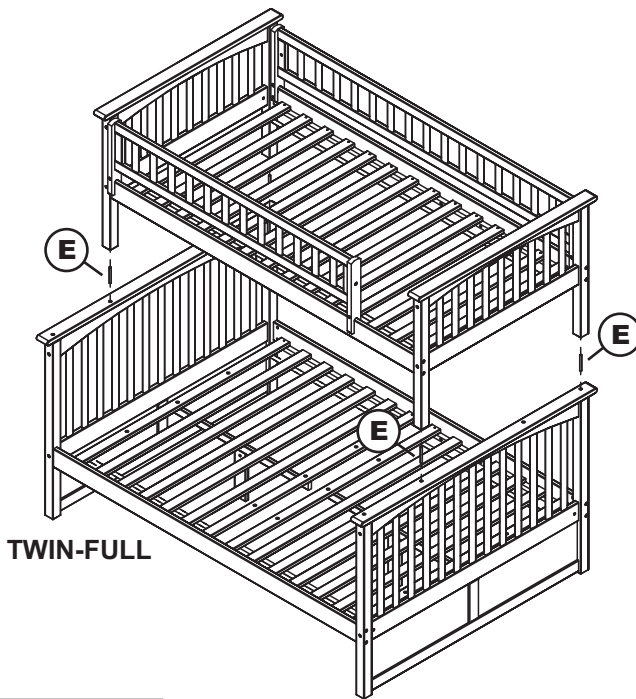


Phillips head screwdriver

Full size shown
Twin lower panel uses Twin slat kit

Step 7

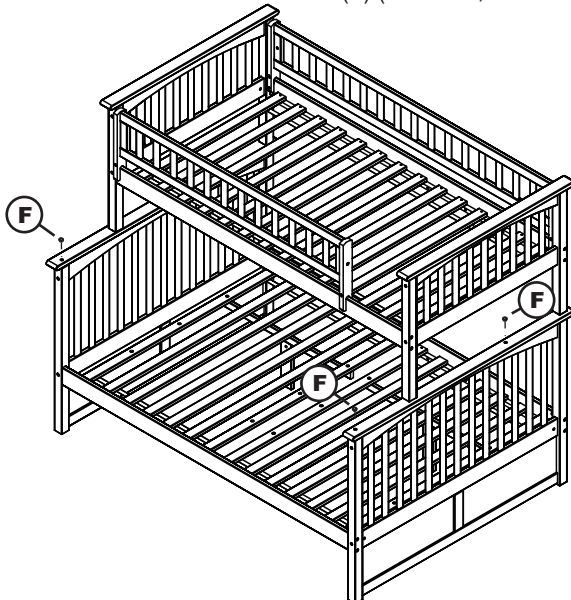
Insert metal pins (E) into the holes in top of the lower panels. Lift the upper panels onto the lower panels as shown, and fit the metal pins into the holes in the bottom of the upper panel legs.



CAUTION
This step requires two strong Adults.

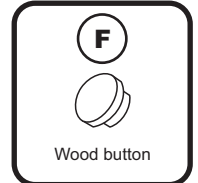
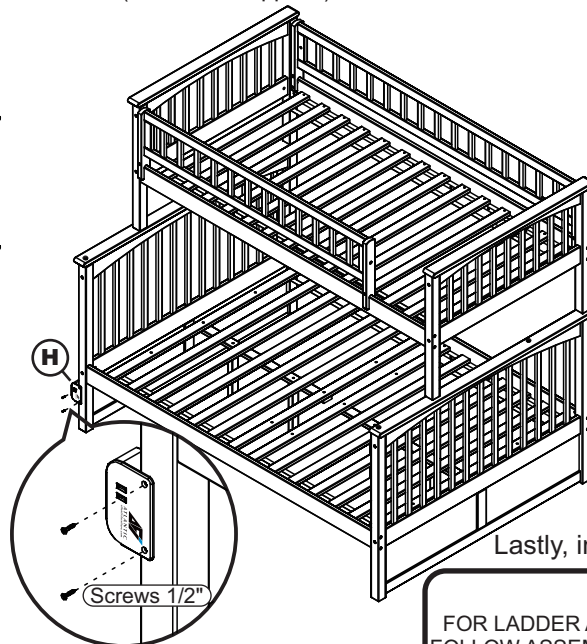
Step 8

Cover holes with wood buttons (F) (Twin Full, Full Full).



Step 9

Install USB charger (H) to the location as shown below. Using 1/2" screws and tighten with Phillips head screw driver. (Customer supplied)



Lastly, install Ladder.

FOR LADDER ASSEMBLY, PLEASE FOLLOW ASSEMBLY INSTRUCTIONS INCLUDED WITH YOUR LADDER.

Congratulations!

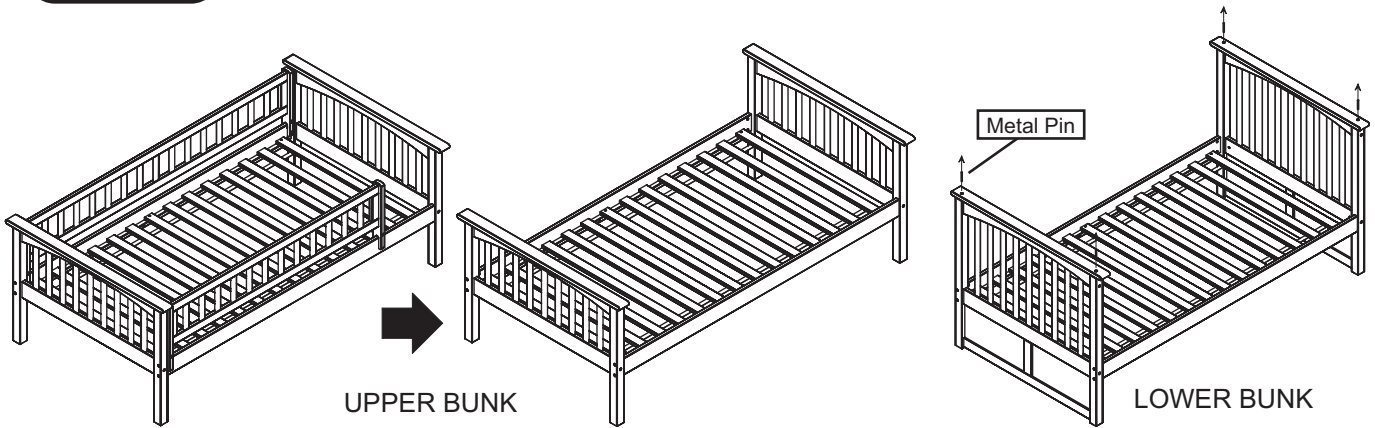
Your Bunk bed is now ready for use.

We recommend that you double check that all screws are tight, and that all parts are secure before use and periodically check that all screws are tight to ensure lasting Safety.

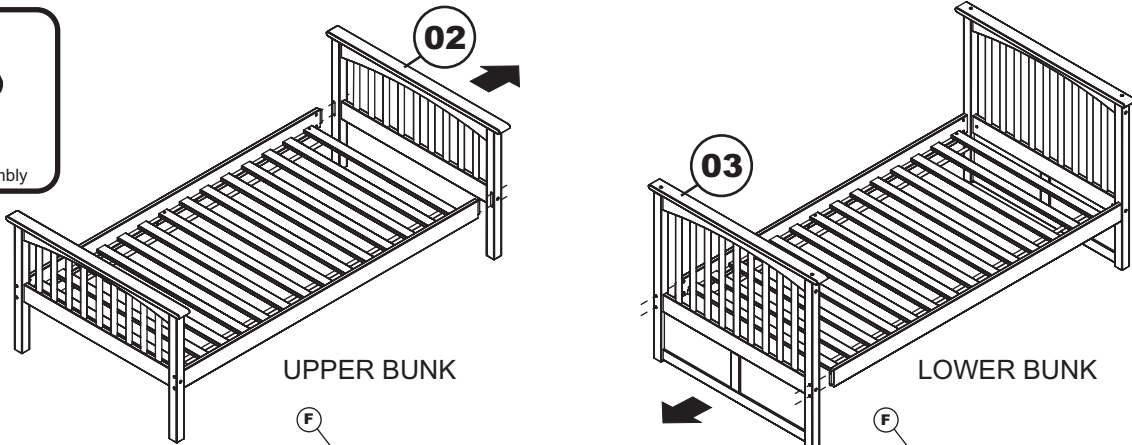
CONVERSION TO 2 TWIN OR 2 FULL BEDS.

Step 9

Disassemble upper bunk by removing guard rails. Also remove metal pins from lower bunk.

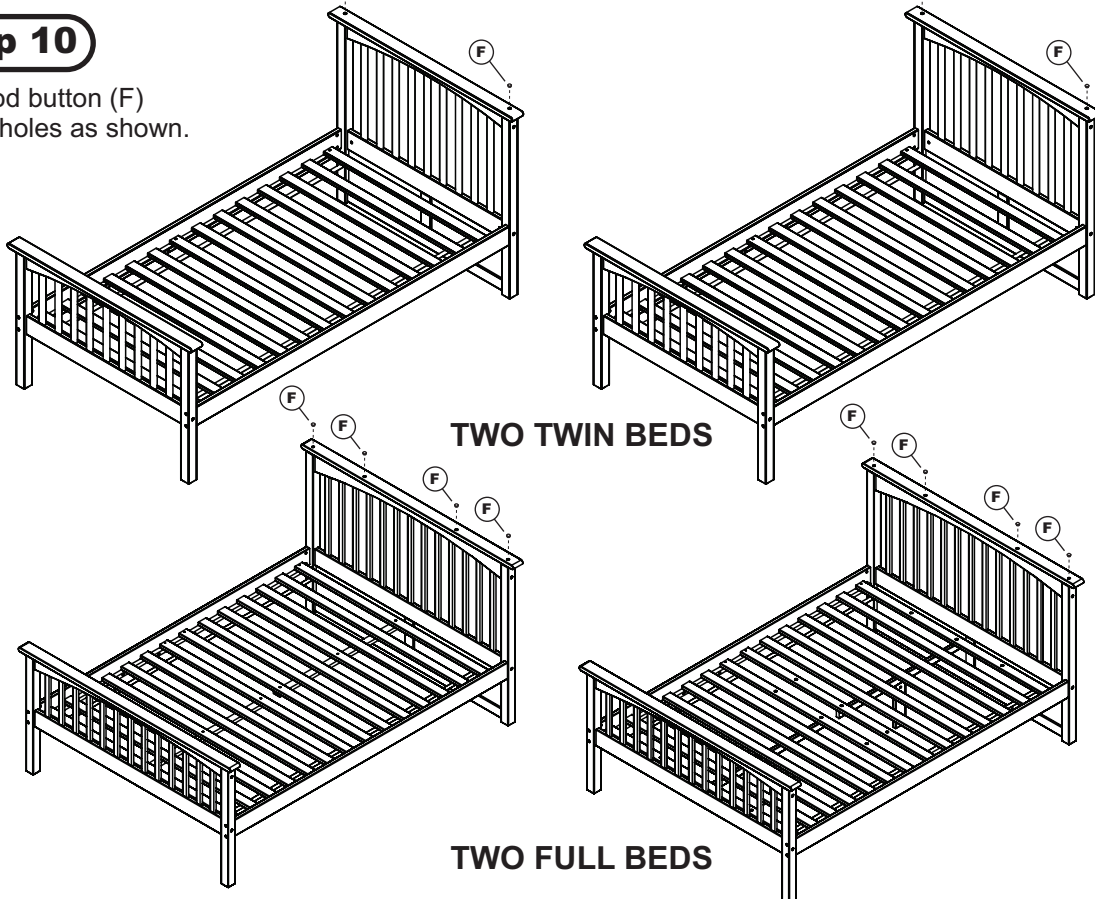


Disassemble upper bunk by removing upper panel (02) and lower bunk by removing lower panel (03). Exchange upper panel to the lower panel position and Install hardware, tighten with Allen wrench.



Step 10

Use Wood button (F) to cover holes as shown.



ASSEMBLY INSTRUCTION (TWIN SET OF 2)

Before assembling your bed slat kit, please read through these instructions carefully and familiarize yourself with the different parts.

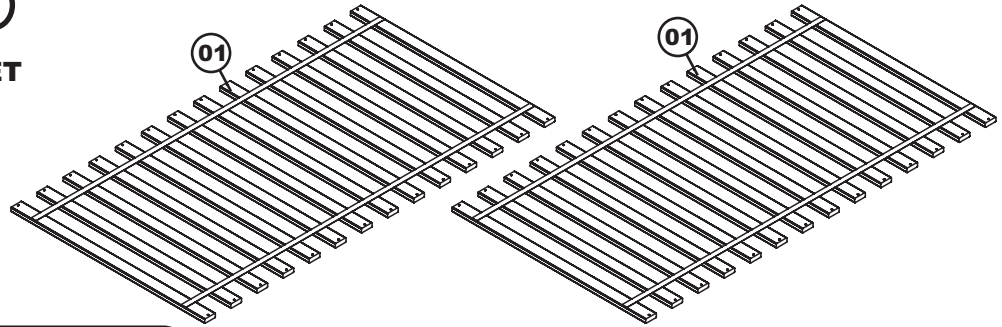
Please note that you will require a Phillips screwdriver.

ATTENTION! If you receive a damaged or defective item, please contact afifurnishings at customerservice@afifurnishings.com or 1-800-955-3726



PARTS LIST

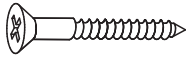
01 SLAT KIT 2 SET



CODE	ITEM
SL-PF	E-65200

NOTE: WE INCLUDE SPARE HARDWARE IN CASE DAMAGE OCCURS DURING ASSEMBLY.

A



1 1/4" Wood screw - 56 pcs
Spare - 4 pcs

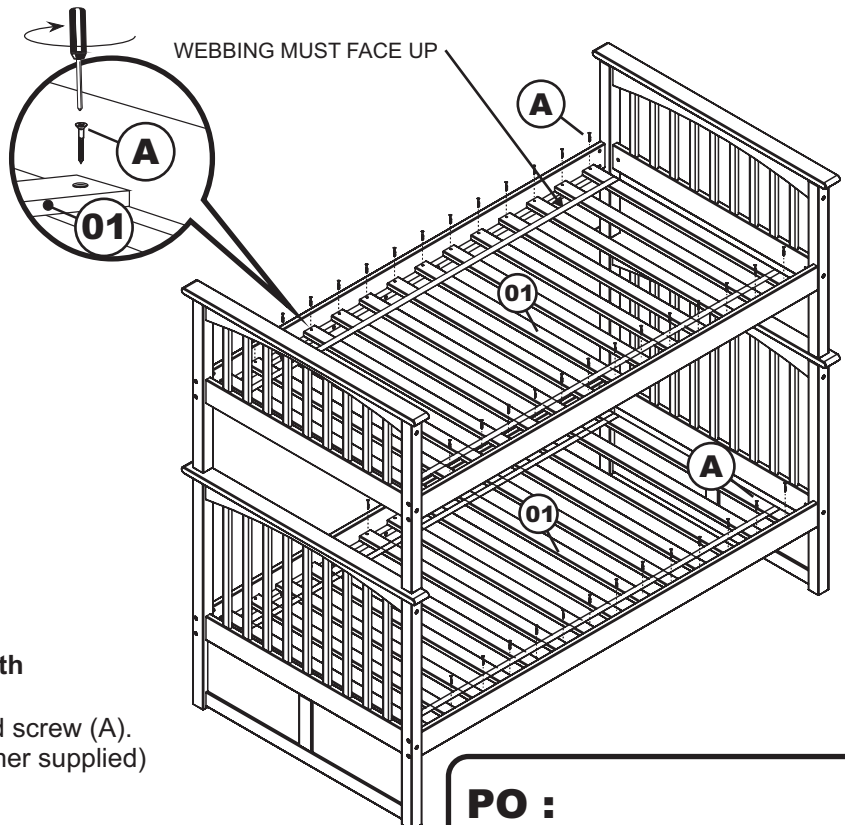
HARDWARE

Step 1

Assemble bunk bed according to assembly instructions.

Step 2

Lay the slat kit onto the bed.



PO :



Be sure to align slat kit evenly with both ends of side rail.

Screw slat kit (01) to side rail, using wood screw (A). Tighten with Phillips screwdriver. (Customer supplied)

Be sure the space between slats is even.

NOTE: WEBBING MUST FACE UP