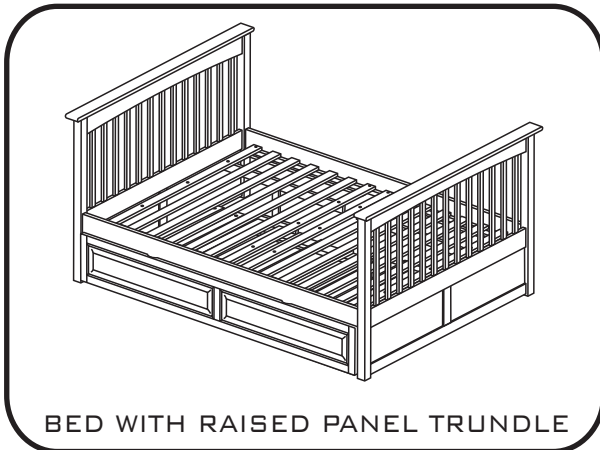
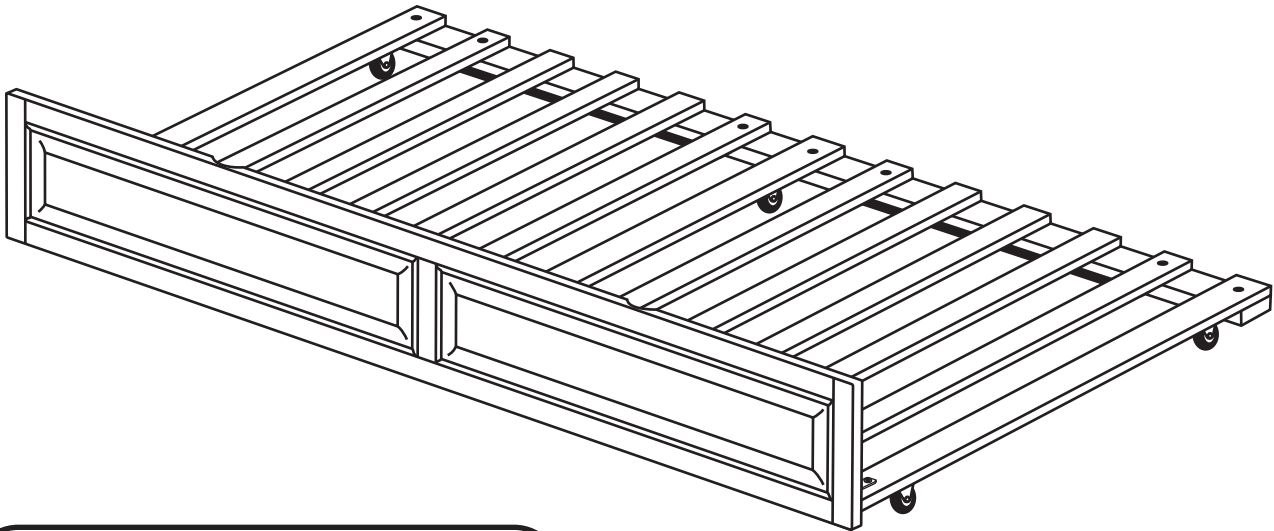


## ASSEMBLY INSTRUCTIONS

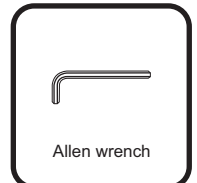
Before assembling your trundle bed, please read through these instructions carefully. Familiarize yourself with the different parts.

**ATTENTION!** If you receive a damaged or defective item, please contact afifurnishings at customerservice@afifurnishings.com or 1-800-955-3726



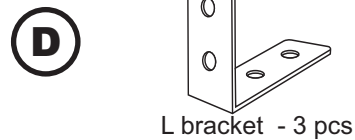
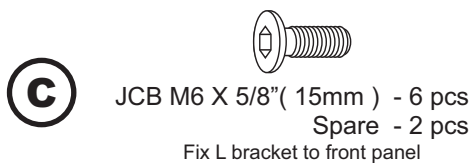
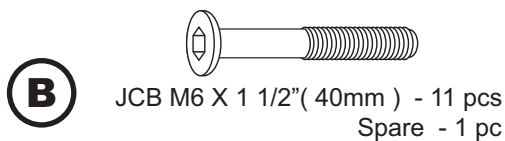
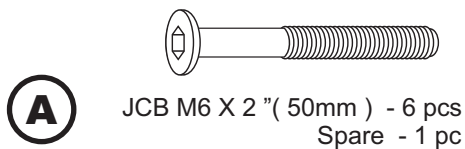
CODE	ITEM
ST-TD-RPN	E-6720X

PO :



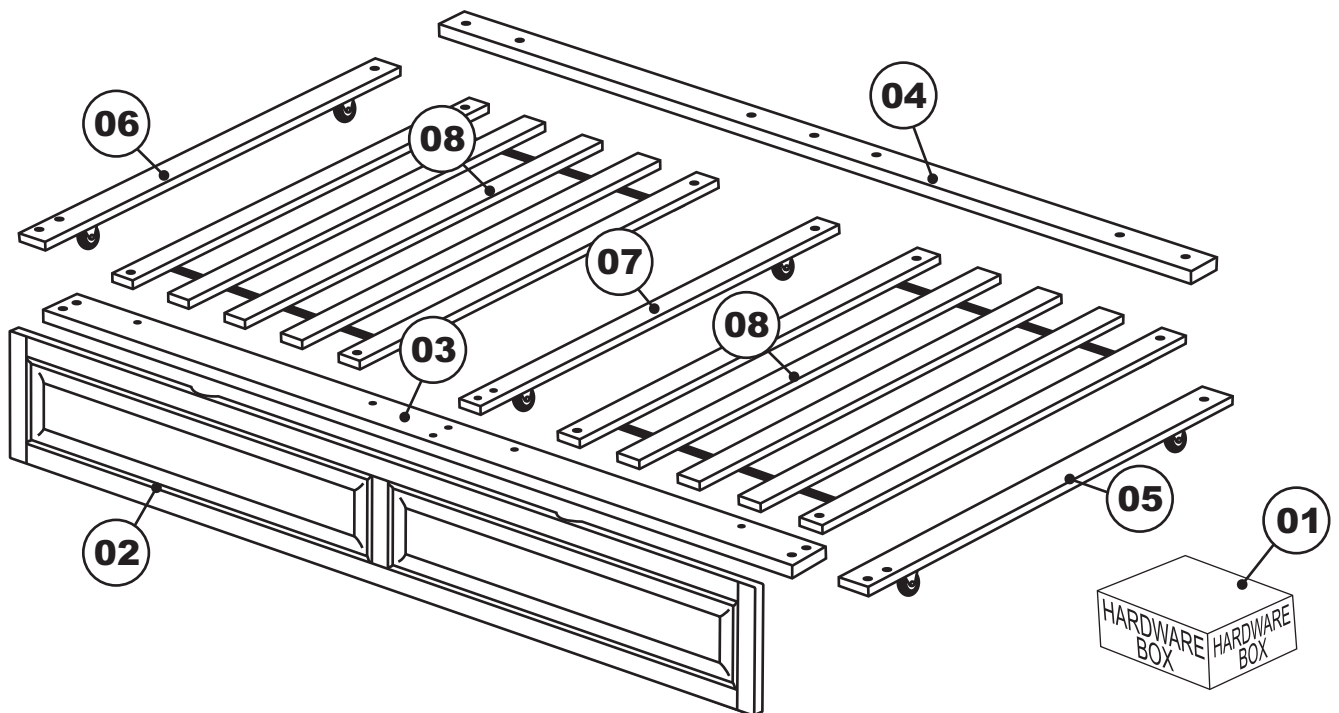
## HARDWARE

NOTE: WE INCLUDE SPARE HARDWARE IN CASE DAMAGE OCCURS DURING ASSEMBLY.



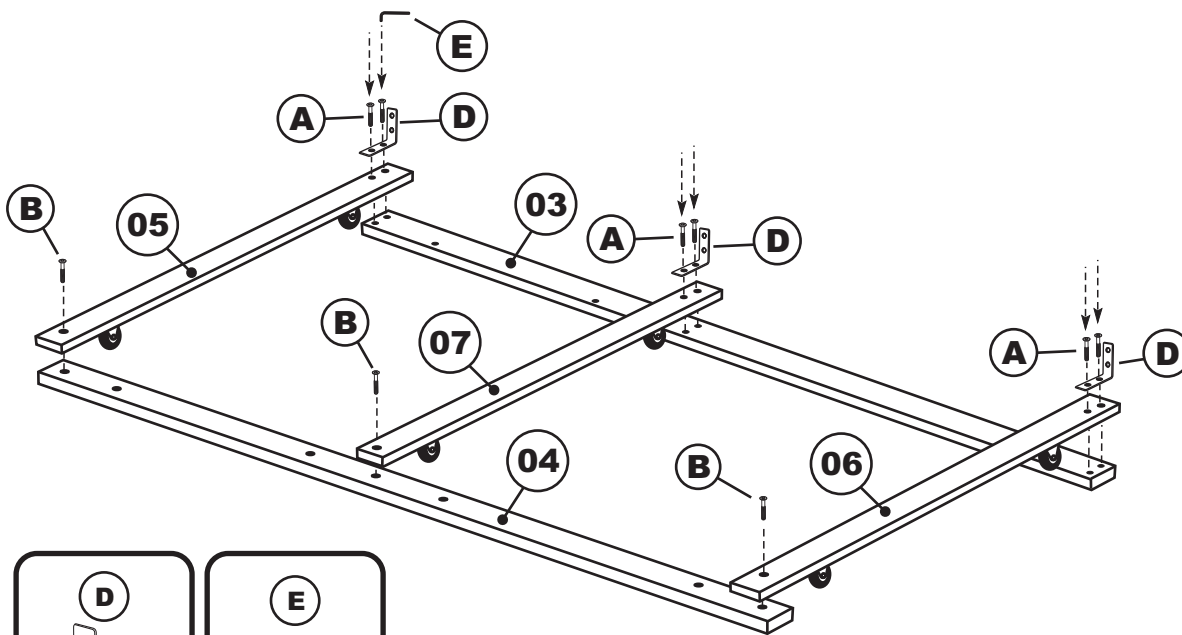
# PARTS LIST

01	HARDWARE	1 BOX	05	RIGHT SIDE CROSS RAIL	1 PC
02	FRONT PANEL	1 PC	06	LEFT SIDE CROSS RAIL	1 PC
03	FRONT RAIL	1 PC	07	CENTER CROSS RAIL	1 PC
04	BACK RAIL	1 PC	08	SLATS	2 SETS

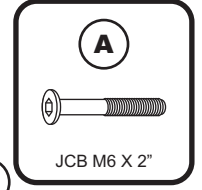


### Step 1

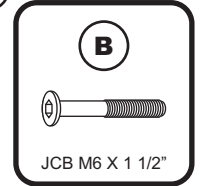
Attach the side/center cross rails (05)(06)and(07) to the front rail (03) and back rail (04), using L bracket (D), JCB M6 X 2" (A) and JCB M6 X 1 1/2" (B) as shown. Tighten with the Allen wrench (E).



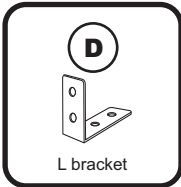
Adult assembly



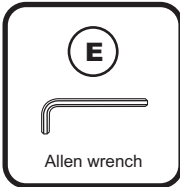
JCB M6 X 2"



JCB M6 X 1 1/2"



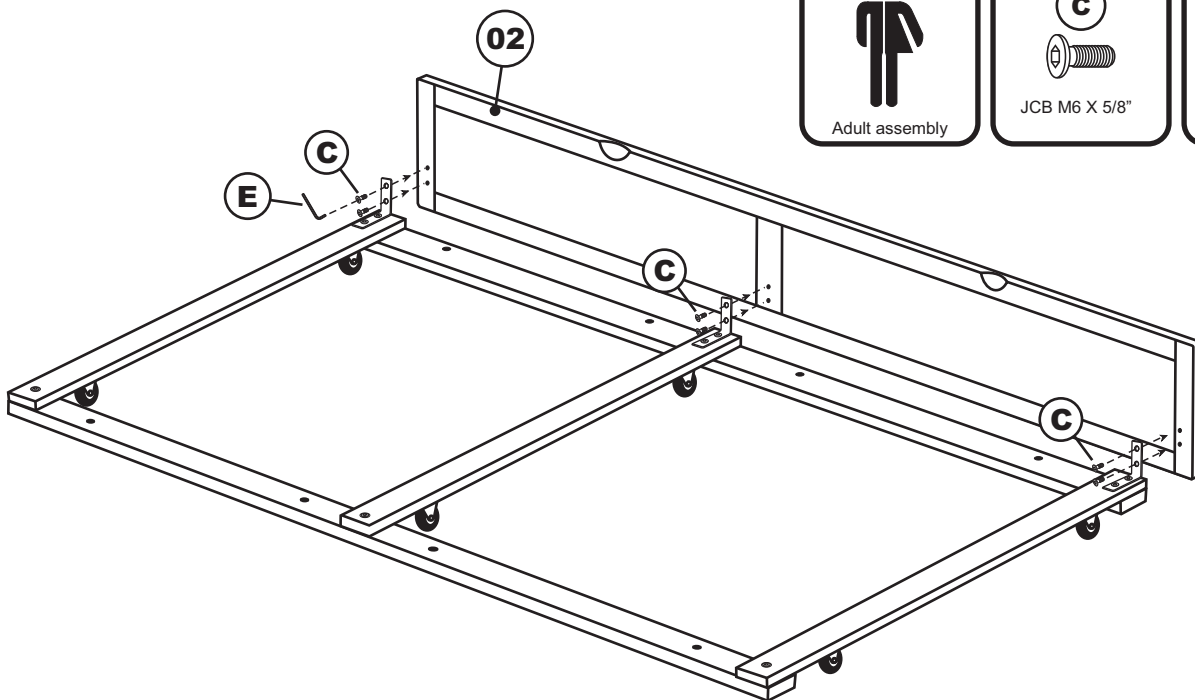
L bracket



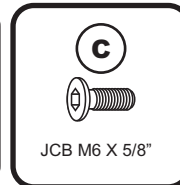
Allen wrench

### Step 2

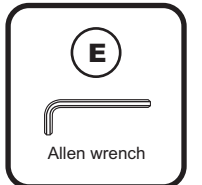
Attach the front panel (02) to assembled front rail as shown, using JCB M6 X 5/8" (C). Tighten with the Allen wrench (E).



Adult assembly



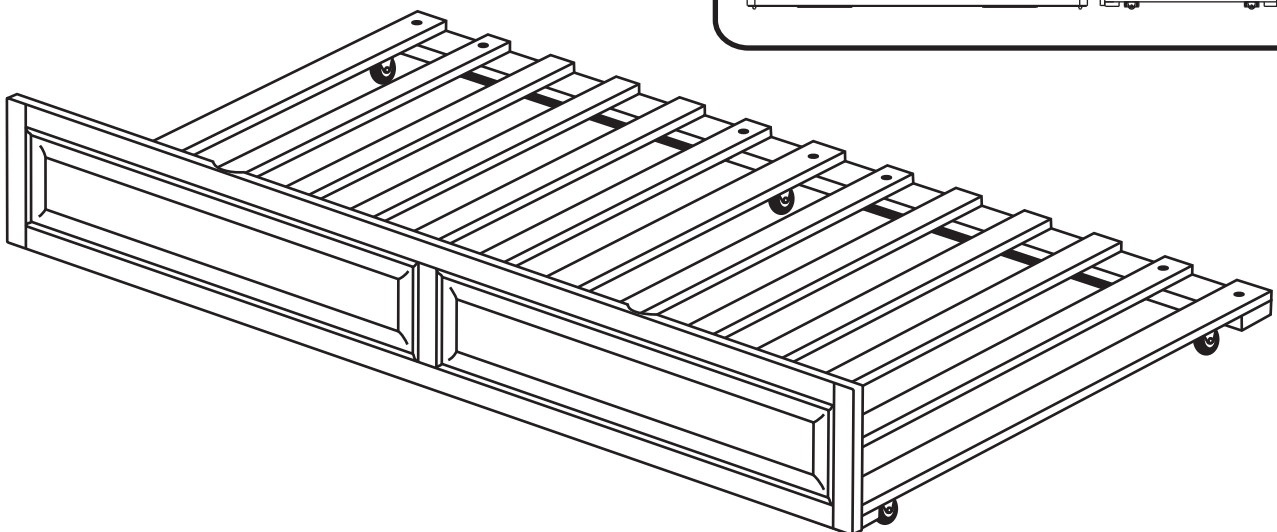
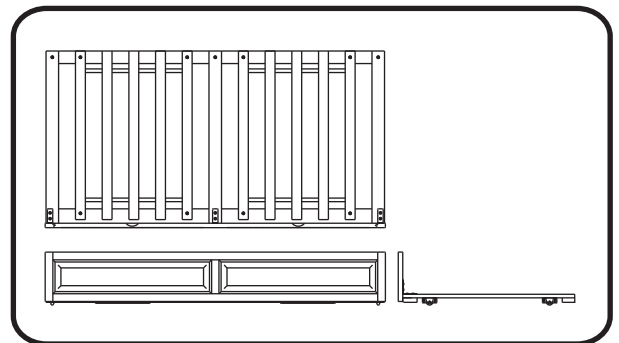
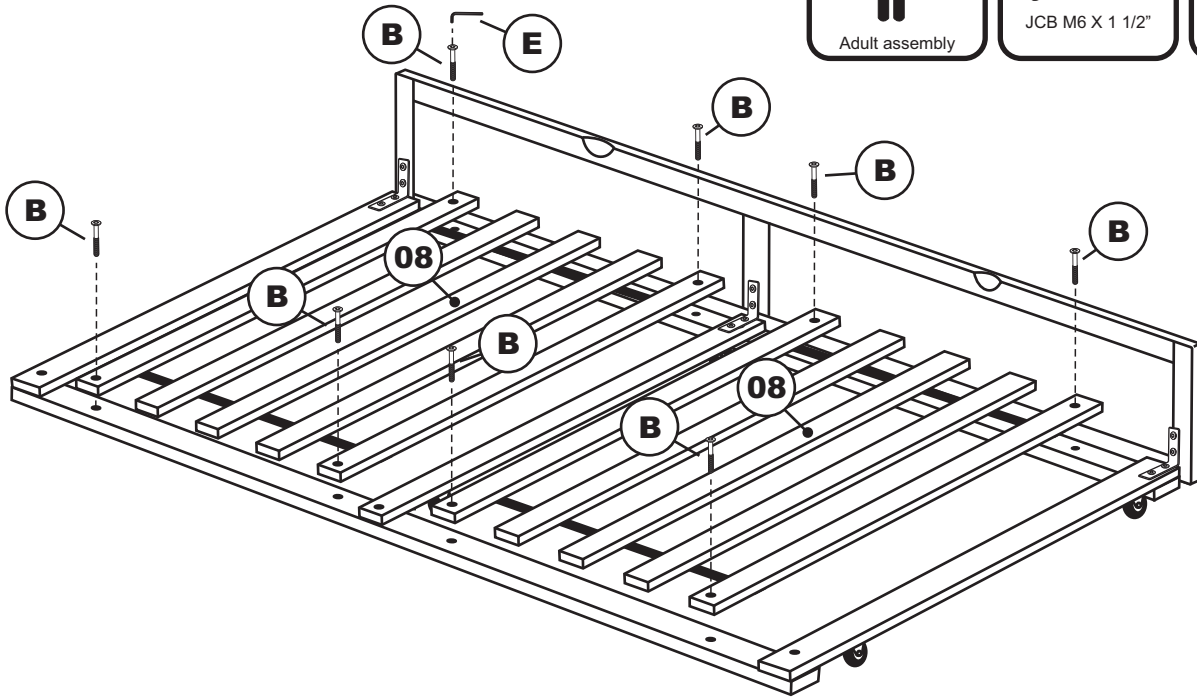
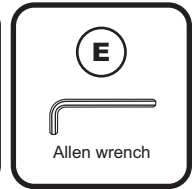
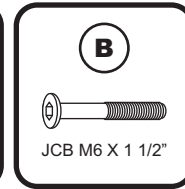
JCB M6 X 5/8"



Allen wrench

**Step 4**

Lay the slats (08) onto the bed, and fix in place. Using JCB M6 X 1 1/2"(B), tighten with the Allen wrench (E)



**Congratulations!**

Your trundle is now ready for use.

We recommend that you periodically check that all screws are tight and all parts are secure to ensure lasting safety.