

## ASSEMBLY INSTRUCTIONS

Before assembling your headboard, please read through these instructions carefully and familiarize yourself with the different parts.

**ATTENTION!** If you receive a damaged or defective item, please contact afifurnishings at [customerservice@afifurnishings.com](mailto:customerservice@afifurnishings.com) or 1-800-955-3726



### PARTS LIST

- ① HEADBOARD PANEL 1 PC
- ② LEFT LEG 1 PC
- ③ RIGHT LEG 1 PC
- ④ SPACER BLOCK 2 PCS
- ⑤ PACKING STICK 2 PCS
- ⑥ FOOTBOARD 1 PC

Instructions apply for bed sizes  
**TWIN > FULL**

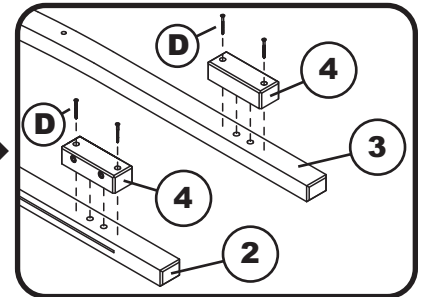
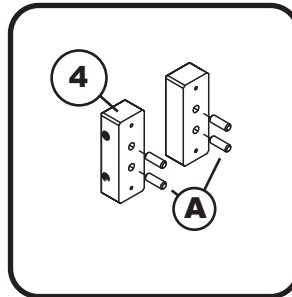
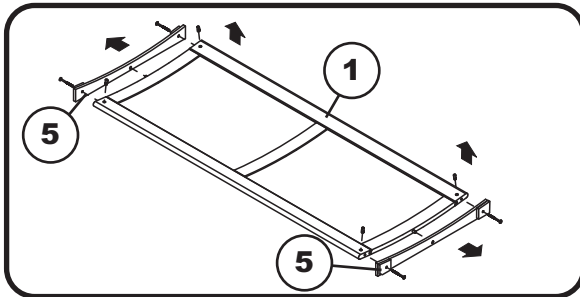
### HARDWARE

- |   |   |   |
|---|---|---|
| <ul style="list-style-type: none"> <li>① Wooden dowel - 4 pcs<br/>Spare - 1 pc</li> <li>② JCB M6 X 70mm (2 3/4") - 4 pcs<br/>Spare - 1 pc</li> <li>③ Barrel nut - 4 pcs<br/>Spare - 1 pc</li> </ul> | <ul style="list-style-type: none"> <li>④ Wood screw - 4 pcs<br/>Spare - 1 pc</li> <li>⑤ Allen wrench - 1 pc<br/>Spare - 1 pc</li> </ul> | <p><b>HARDWARE FOR METAL BED FRAME</b></p> <ul style="list-style-type: none"> <li>⑥ JCB M6 X 25mm (1") - 4 pcs<br/>Spare - 1 pc</li> <li>⑦ Flat washer - 4 pcs<br/>Spare - 1 pc</li> <li>⑧ Split washer - 4 pcs<br/>Spare - 1 pc</li> </ul> |
|---|---|---|

NOTE: WE INCLUDE SPARE HARDWARE IN CASE DAMAGE OCCURS DURING ASSEMBLY.

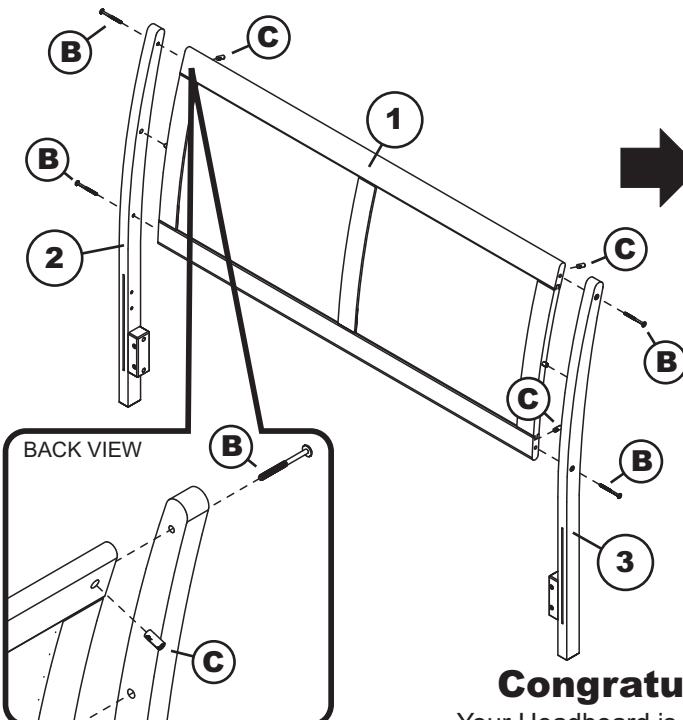
### Step 1

Remove packing stick (5) from headboard panel (1) and **DISCARD**. Insert wooden dowels (A) to the locator holes on spacer block (4). Attach the spacer blocks (4) to the legs (2) and (3), using wood screws (D), as shown below. Tighten with Phillips screwdriver. (customer supplied)



### Step 2

Attach the legs (2) and (3) to the headboard panel (1), using JCB (B) and barrel nut (C). Tighten with the Allen wrench (H).



CODE	ITEM	ITEM
HBFB-POR 2	R-38972X	R-38973X

PO :

**Congratulations!**

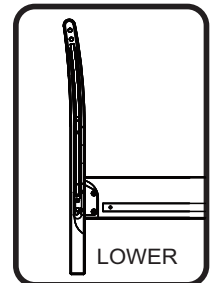
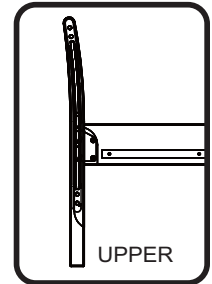
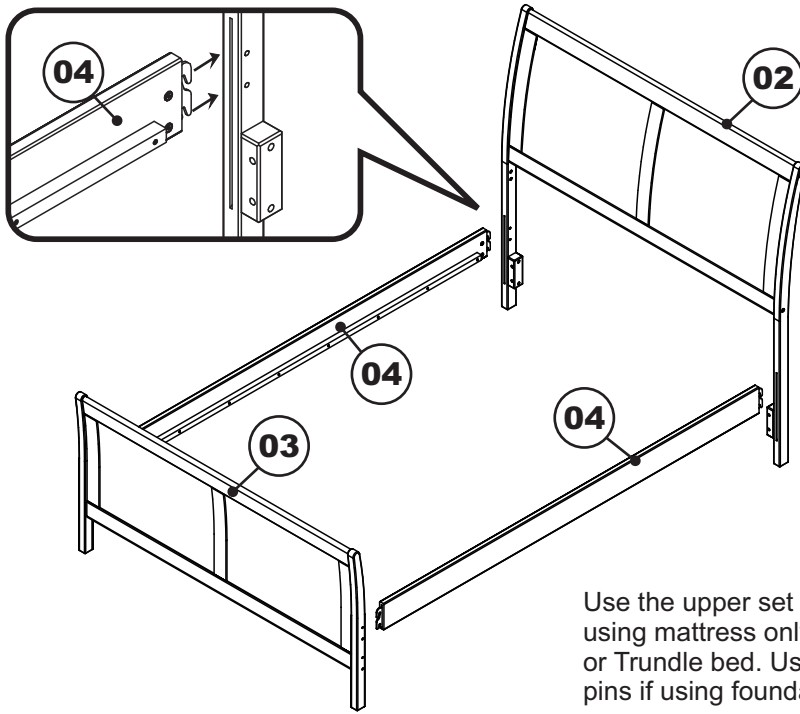
Your Headboard is now assembled.

To ensure lasting safety, we recommend that you periodically check that all screws are tight and all parts are secure.

- 01 **HARDWARE**
  - 02 **HEADBOARD**
  - 03 **FOOTBOARD**
  - 04 **SIDE RAILS**
- BOX 1  
BOX 2



**Step 1** Attach the side rails (04) to the headboard (02) and footboard (03) using the bed hook as shown below.



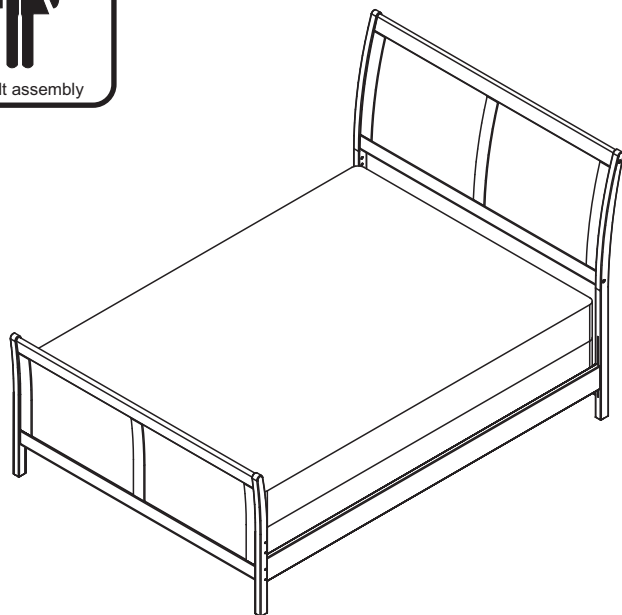
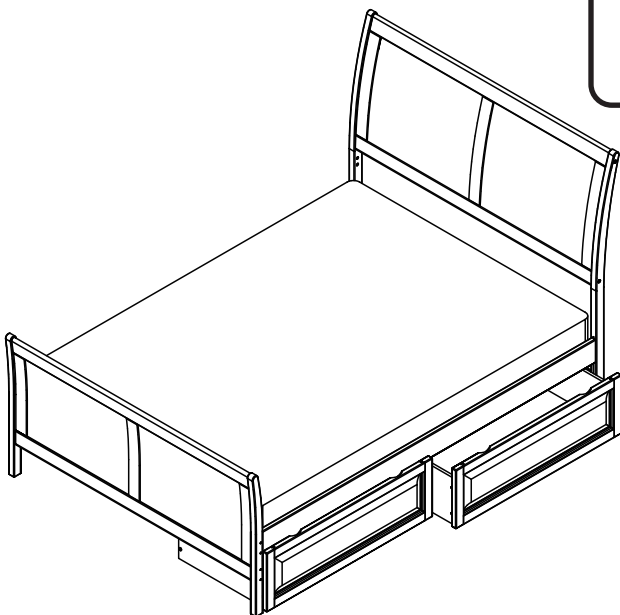
Use the upper set of pins when using mattress only, storage drawers or Trundle bed. Use the lower set of pins if using foundation and mattress.

**Step 2** Lastly, lay slat kit or foundation support board onto the bed. For assembly, follow the assembly instructions included with support system.

PLATFORM BED - TALL HEIGHT



TRADITIONAL BED - LOW HEIGHT



## TWIN

### ASSEMBLY INSTRUCTIONS

Before assembling your bed frame, please read through these instructions carefully and familiarize yourself with the different parts.

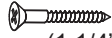


**ATTENTION!** If you receive a damaged or defective item, please contact afifurnishings at customerservice@afifurnishings.com or 1-800-955-3726

#### PARTS LIST

- ① SIDE RAILS            2 PCS
- ② SLAT KIT             2 SET

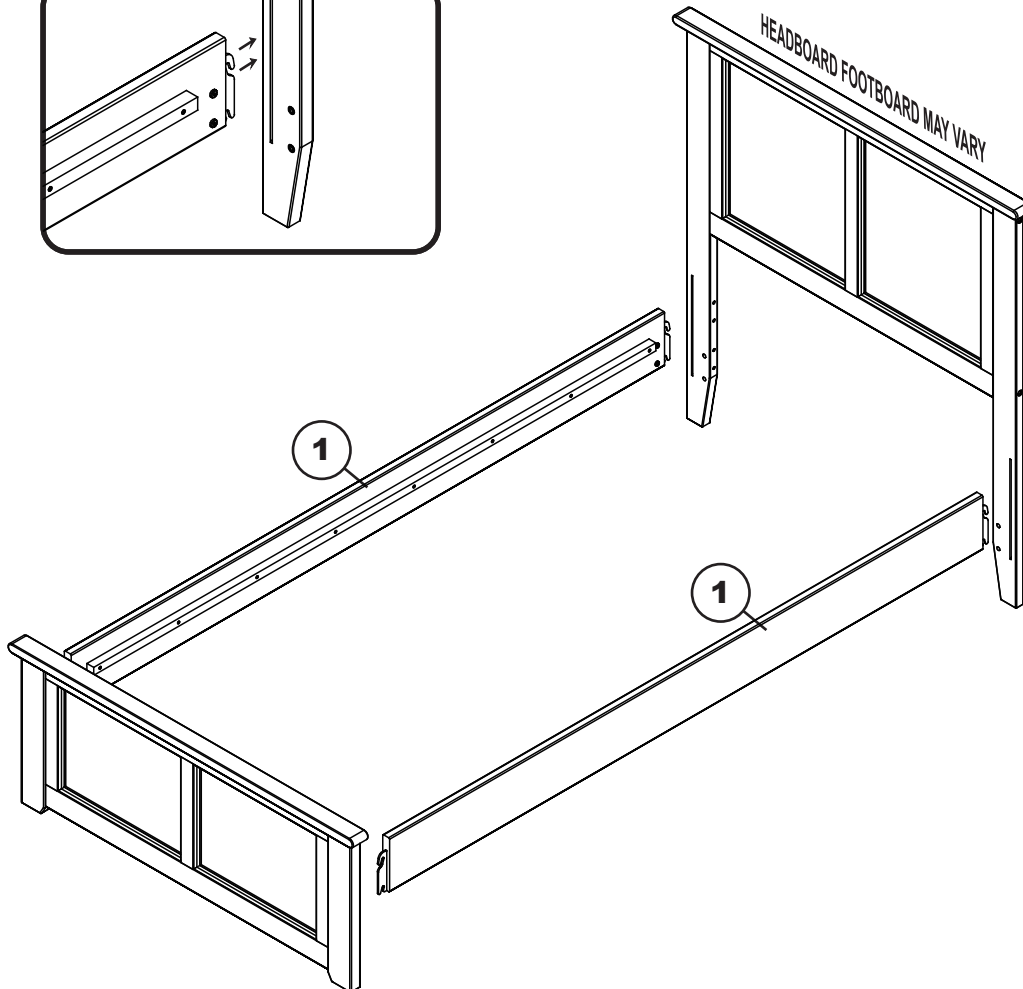
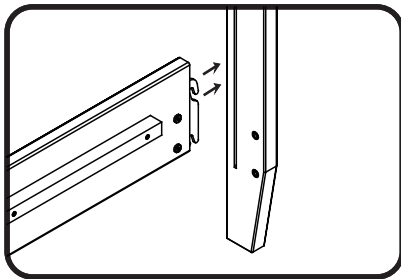
#### HARDWARE

- Ⓐ  Wood screw(1 1/4") - 12 pcs  
Spare - 1 pc

NOTE: WE INCLUDE SPARE HARDWARE IN CASE DAMAGE OCCURS DURING ASSEMBLY.

#### Step 1

Attach side rails (1) to the headboard and footboard. For assembly, follow the assembly instructions included with your headboard and footboard.



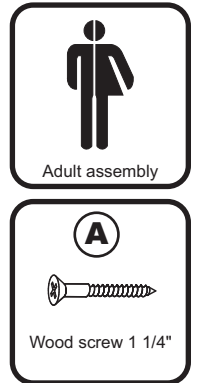
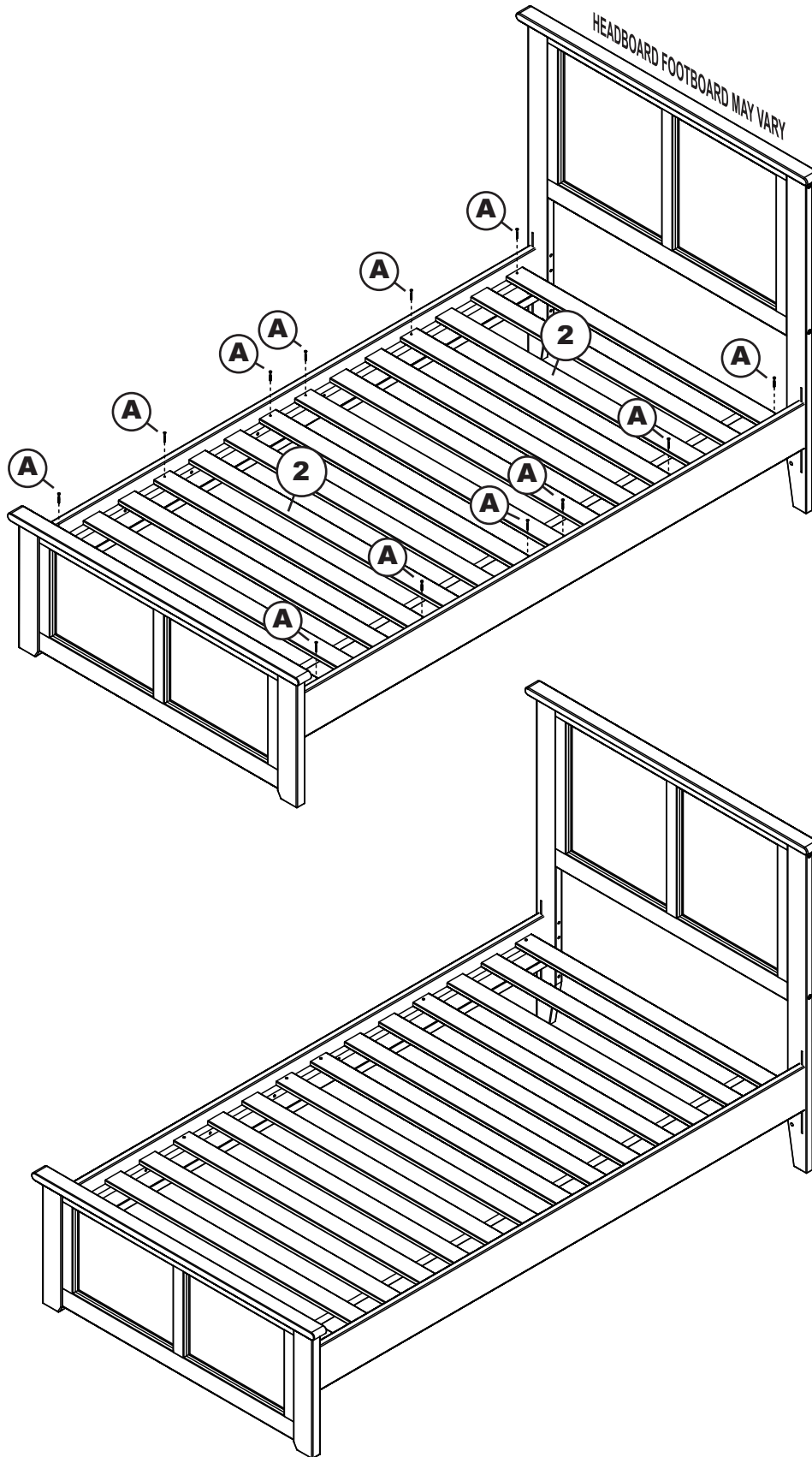
PO:

CODE	ITEM
FR-KEW-LOM	R-22222X

## TWIN

### Step 2

Attach slat kit (2) to the bed as shown below using wood screws 1 1/4" (A). Tighten with Phillips head screw driver. (customer supplied)



**Congratulations!**

Your bed is now ready for use.

We recommend that you periodically recheck that all screws are tight to ensure lasting safety.