

ASSEMBLY INSTRUCTIONS

Before assembling your bed, please read through these instructions carefully and familiarize yourself with the different parts.

ATTENTION! If you receive a damaged or defective item, please contact afifurnishings at customerservice@afifurnishings.com or 1-800-955-3726



PARTS LIST

- 1 HEADBOARD PANEL 1 PC
- 2 LEFT LEG 1 PC
- 3 RIGHT LEG 1 PC
- 4 PILLOW STOP 1 PC
- 5 FOOTBOARD PANEL 1 PC
- 6 FB LEFT LEG 1 PC
- 7 FB RIGHT LEG 1 PC
- 8 PACKING STICK 4 PCS
- 9 WOOD DOWELS 12 PCS
(Factory Installed)

Instructions apply for bed sizes
QUEEN > KING

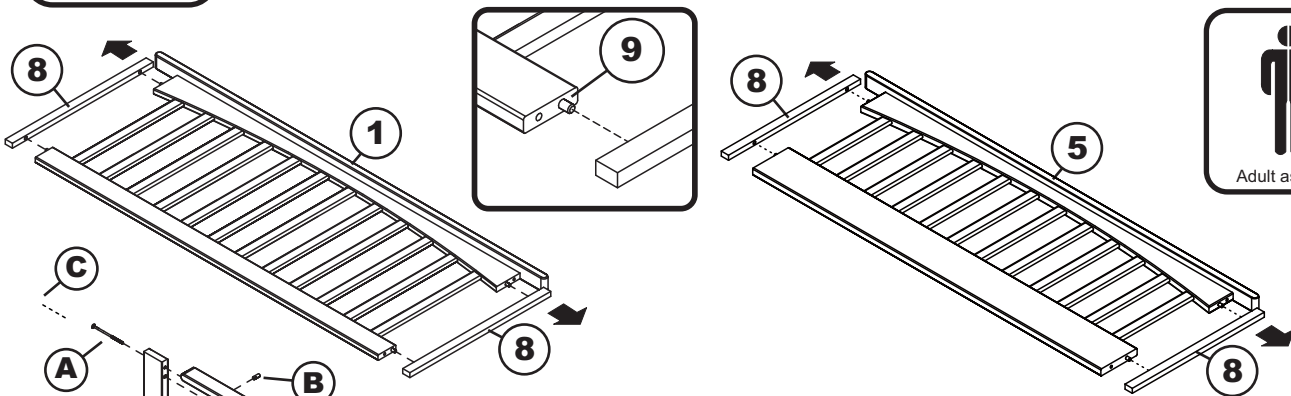
HARDWARE

- A** JCB M6 X 100mm (4") - 8 pcs
Spare - 1 pc
- B** Barrel nut - 8 pcs
Spare - 1 pc
- C** Wood button - 8 pcs
Spare - 1pc
- D** Allen wrench - 1pc
Spare - 1pc

NOTE: WE INCLUDE SPARE HARDWARE IN CASE DAMAGE OCCURS DURING ASSEMBLY.

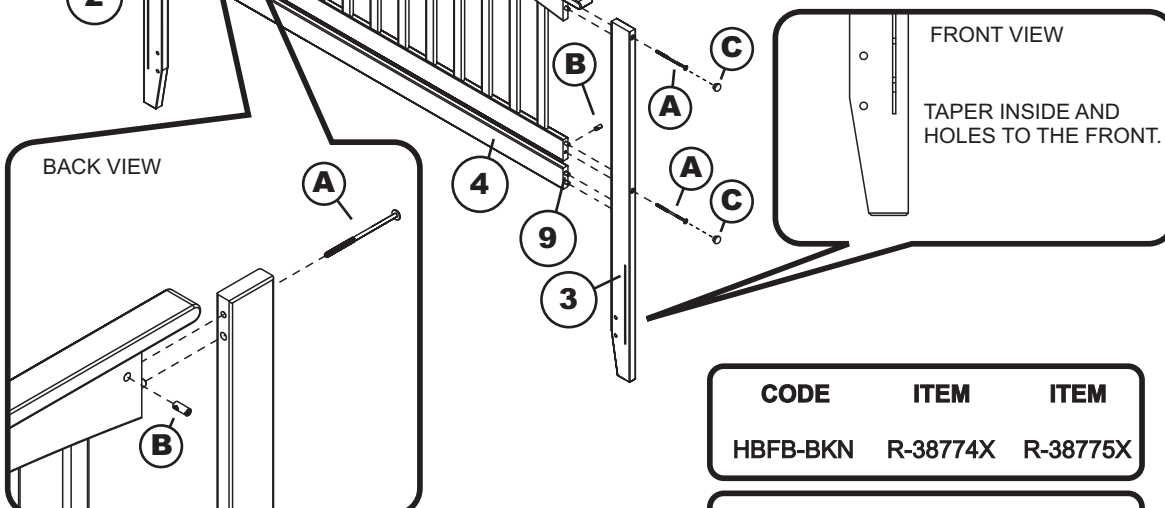
Step 1

Remove packing stick (8) from headboard and footboard panel (1)(5) as shown below and **DISCARD**.



Step 2

Attach the legs (2) and (3) to headboard panel (1) and pillow stop (4) using JCB (A) and barrel nut (B). Tighten with the Allen wrench (D). Cover holes with wood button (C)



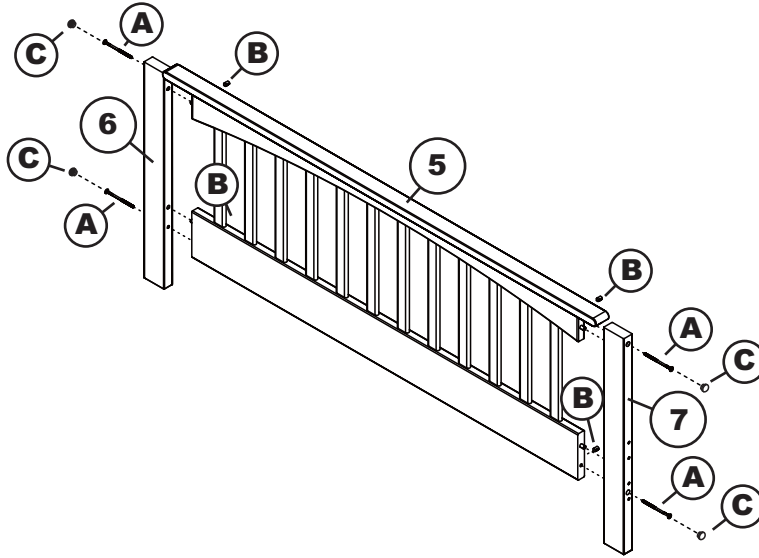
| CODE | ITEM | ITEM |
|----------|----------|----------|
| HBFB-BKN | R-38774X | R-38775X |

PO :

QUEEN > KING

Step 3

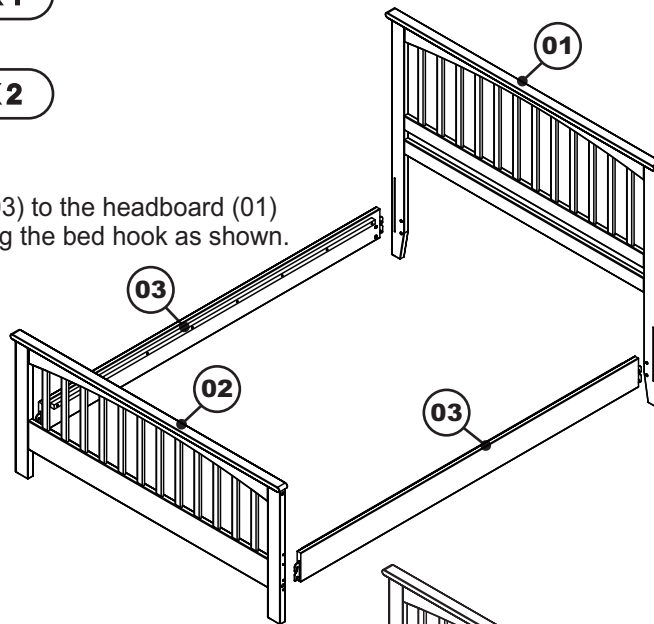
Attach the fb legs (6) and (7) to footboard panel (5), using JCB (A) and barrel nut (B). Tighten with the Allen wrench (D). Cover holes with wood button (C)



- 01 HEADBOARD
 - 02 FOOTBOARD
 - 03 BED FRAME
- BOX 1
- BOX 2

Step 1

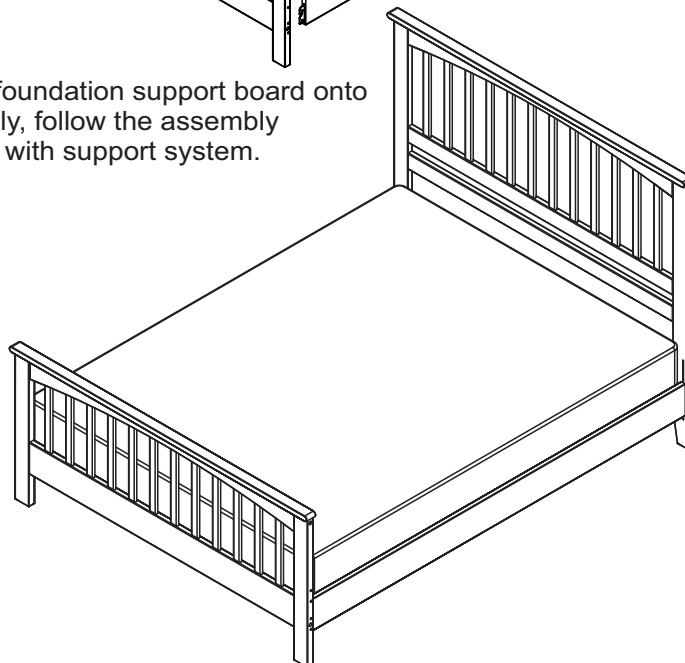
Attach the bed frame (03) to the headboard (01) and footboard (02) using the bed hook as shown.



LOW SECTION

Step 2

Lastly, lay slat kit or foundation support board onto the bed. For assembly, follow the assembly instructions included with support system.



KING

ASSEMBLY INSTRUCTIONS

Before assembling your bed frame, please read through these instructions carefully and familiarize yourself with the different parts.




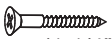




ATTENTION! If you receive a damaged or defective item, please contact afifurnishings at customerservice@afifurnishings.com or 1-800-955-3726

PARTS LIST

- ① **SIDE RAILS** **2 PCS**
- ② **SLAT KIT** **2 SET**
- ③ **SUPPORT RAIL** **2 PCS**
- ④ **SUPPORT LEGS** **4 PCS**

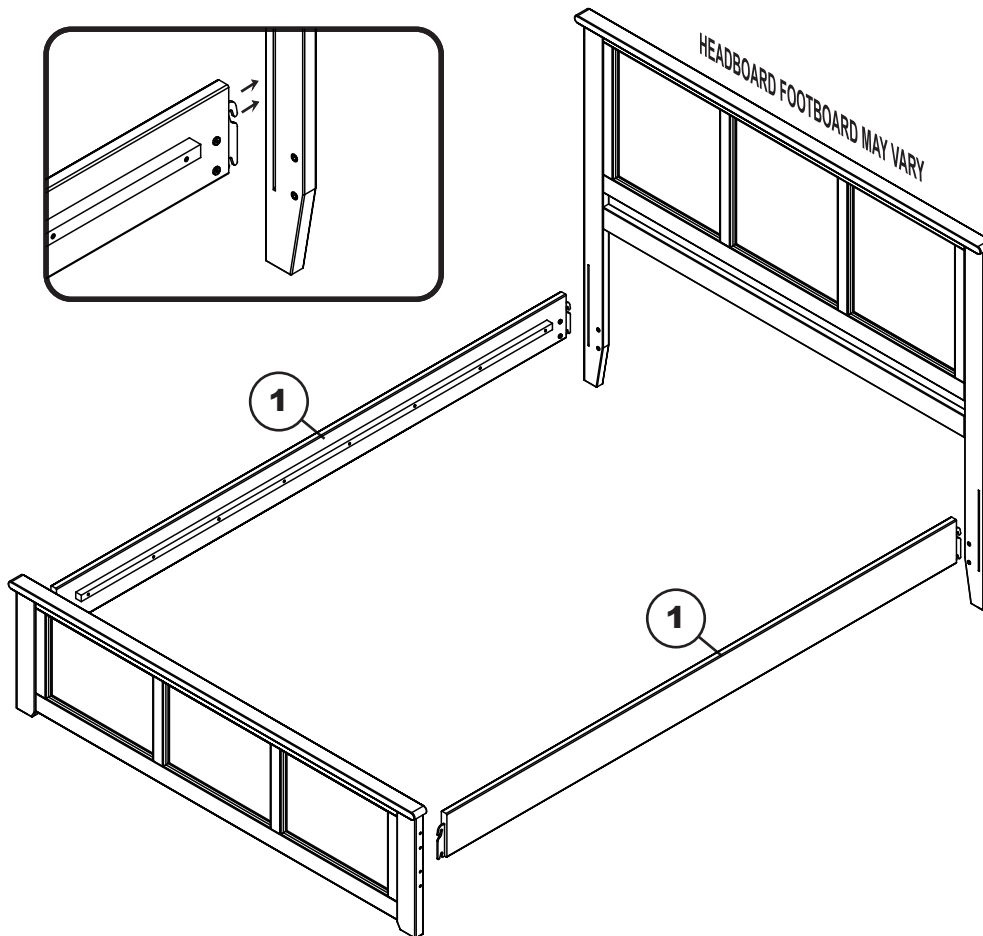
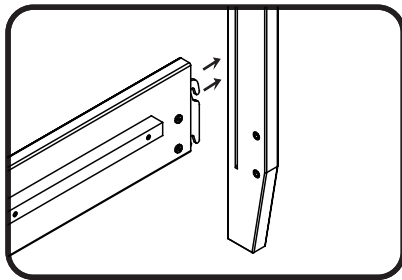
HARDWARE

- A**  JCB M6 X 30mm (1 1/8") - 6 pcs
Spare - 1 pc
- B**  Cap Nut - 6 pcs
- C**  JCB M8 X 40mm (1 5/8") - 4 pcs
Spare - 1 pc
- D**  Wood screw(1 1/4") - 12 pcs
Spare - 1 pc
- E**  Allen wrench M4 - 1pc
Spare - 1pc
- F**  Allen wrench M6 - 1pc

NOTE: WE INCLUDE SPARE HARDWARE IN CASE DAMAGE OCCURS DURING ASSEMBLY.

Step 1

Attach side rails (1) to the headboard and footboard. For assembly, follow the assembly instructions included with your headboard and footboard.



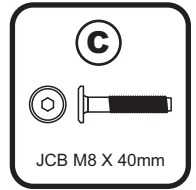
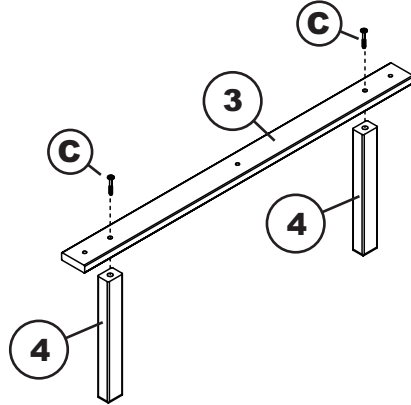
PO:

| CODE | ITEM |
|------------|----------|
| FR-KEW-LOM | R-22225X |

KING

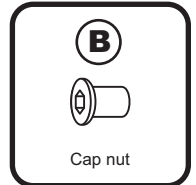
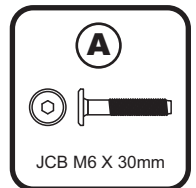
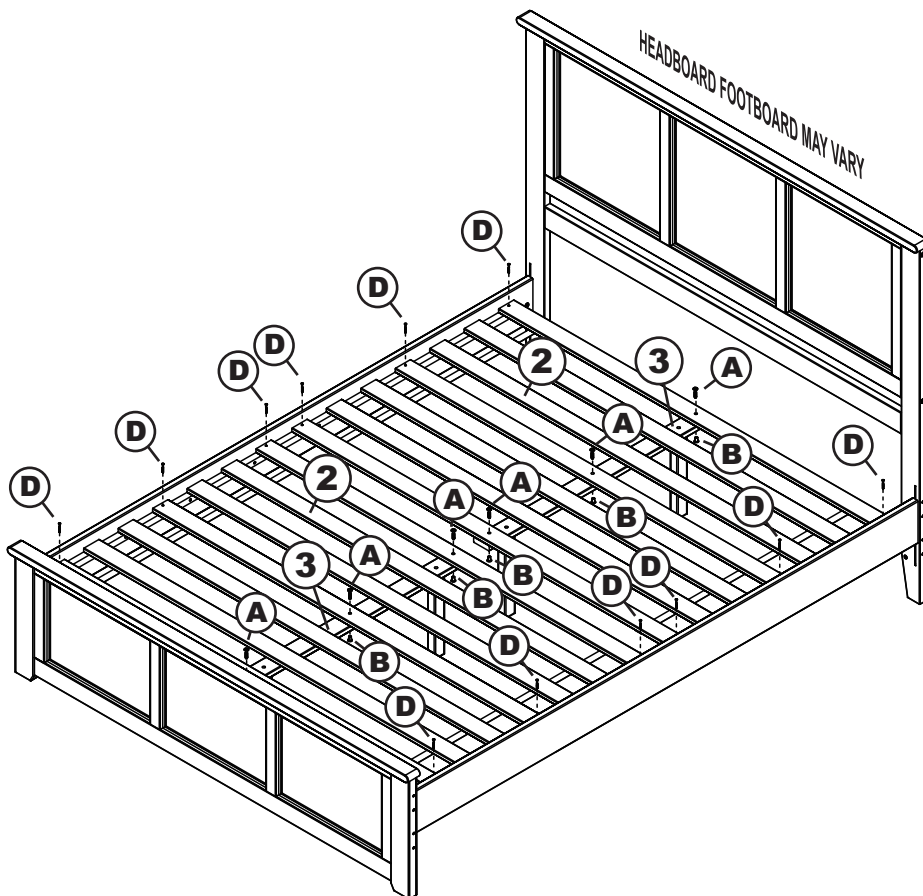
Step 3

Attach support legs (4) to support rail (3) as shown below. Using JCB M8 (C) tighten with Allen wrench M6 (F). Repeat the other.



Step 4

Attach support rail (3) to the slat kit (2) as shown below. Using JCB M6 X 30mm (A) and cap nut (B). Tighten with Allen wrench M4 (E). Using wood screw (D) tighten with Phillips head screwdriver. (Customer supplied)



Congratulations!

Your bed is now ready for use.

We recommend that you periodically recheck that all screws are tight to ensure lasting safety.