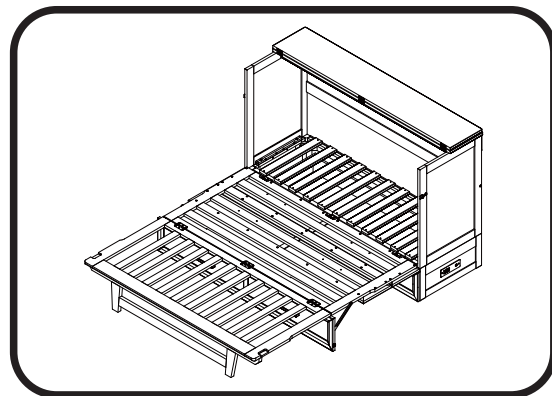
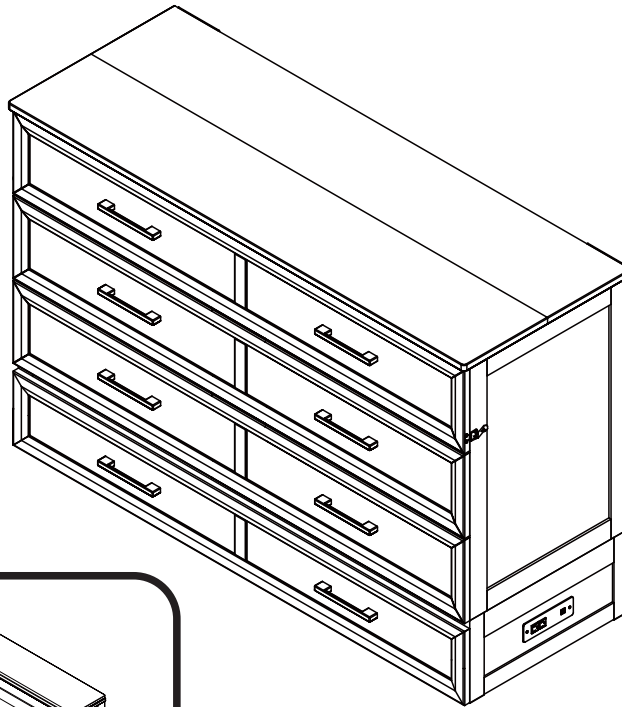


QUEEN

ASSEMBLY INSTRUCTIONS

Before assembling your murphy bed, please read through these instructions carefully and familiarize yourself with the different parts.

ATTENTION! If you receive a damaged or defective item, please contact affurnishings at customerservice@afifurnishings.com or 1-800-955-3726



CODE	ITEM
MB-PD-TCN	C-7641X
MB-BL-TCN	C-7642X
MB-TP-TCN	C-7643X

PO :

HARDWARE

NOTE: WE INCLUDE SPARE HARDWARE IN CASE DAMAGE OCCURS DURING ASSEMBLY.

- A** JCB M6 X 30mm (1 1/4") - 12 pcs
Spare - 1 pc
- B** JCB M6 X 55mm (2 1/8") - 2 pcs
Spare - 1 pc
- C** JCB M8 X 55mm (2 1/8") - 8 pcs
Spare - 1 pc
- D** Wood screw 3/4" - 17 pcs
Spare - 1 pc
- E** Wood screw 1 1/4" - 2 pcs
Spare - 1 pc
- F** Wood screw 2" - 4 pcs
Spare - 1 pc
- G** Triangle Bracket - 2 pcs
- H** Barrel Nut - 2 pcs
Spare - 1 pc
- I** Flat Washer - 8 pcs
Spare - 1 pc
- J** Cable Fastener - 1 pc
Set with Screw
- K** Surface Mount Charger - 1 set
Screw 1/2" - 2 pcs
Spare - 1 pc
- L** Spring clip set with screw - 2 pcs
- M** Wood dowels 8 x 30mm - 10 pcs
Spare - 2 pcs
- N** JCB M6 X 25mm (1") - 4 pcs
Spare - 1 pc
- O** Allen wrench M5 - 1 pc
- P** Allen wrench M4 - 1 pc
Spare - 1 pc

QUEEN PARTS LIST

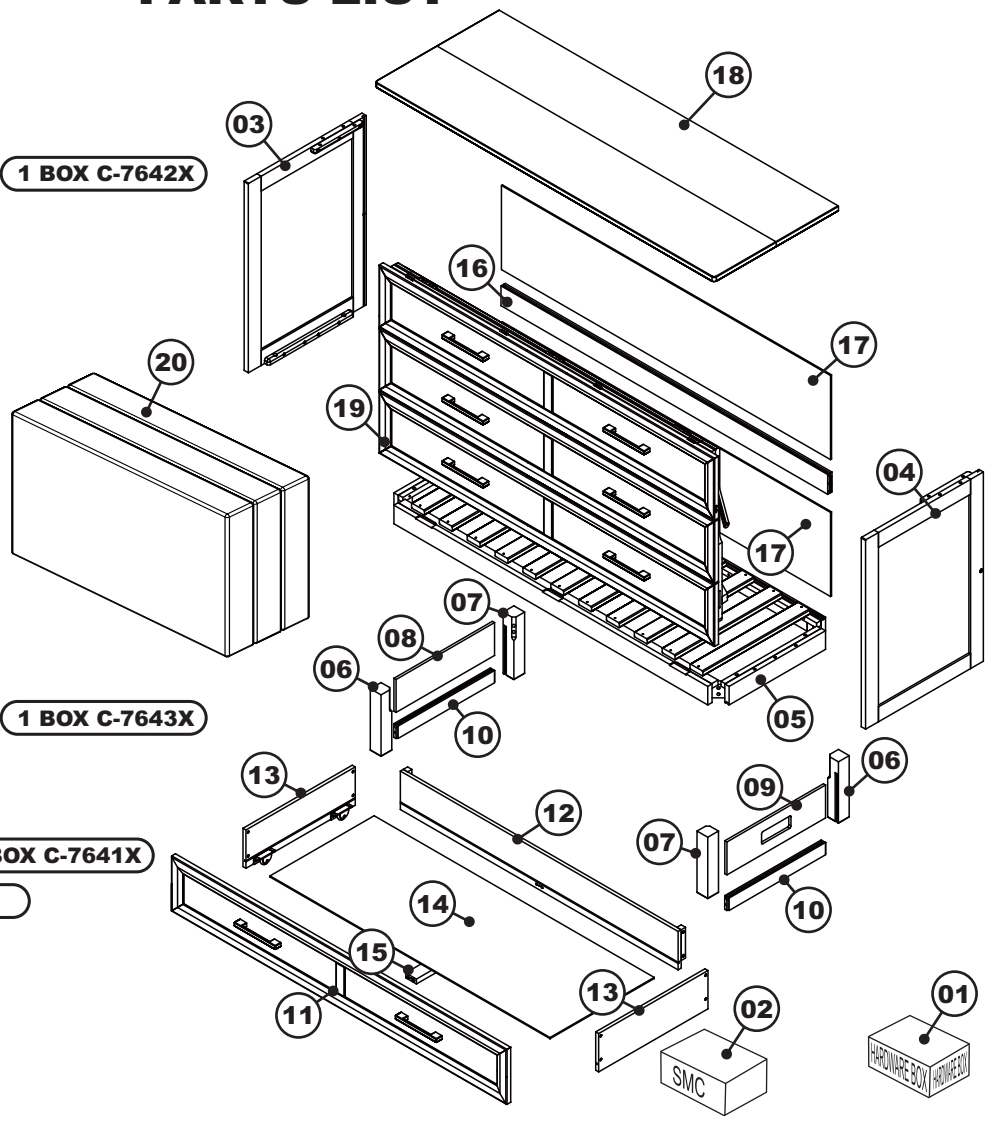
- 01 HARDWARE
- 02 SMC
- 03 LEFT SIDE PANEL
- 04 RIGHT SIDE PANEL
- 05 BASE
- 06 LEFT FRONT LEG
RIGHT REAR LEG
- 07 LEFT REAR LEG
RIGHT FRONT LEG
- 08 L PANEL LEFT
- 09 L PANEL RIGHT
- 10 L BOTTOM RAIL
- 11 DRAWER FACE
- 12 DRAWER BACK
- 13 DRAWER SIDE
- 14 DRAWER PANEL
- 15 DRAWER PANEL SUPPORT
- 16 BACK RAIL
- 17 BACK PANEL
- 18 TOP PANEL
- 19 FOLDING PANEL
- 20 FOLDING MATTRESS

1 BOX C-7642X

1 BOX C-7643X

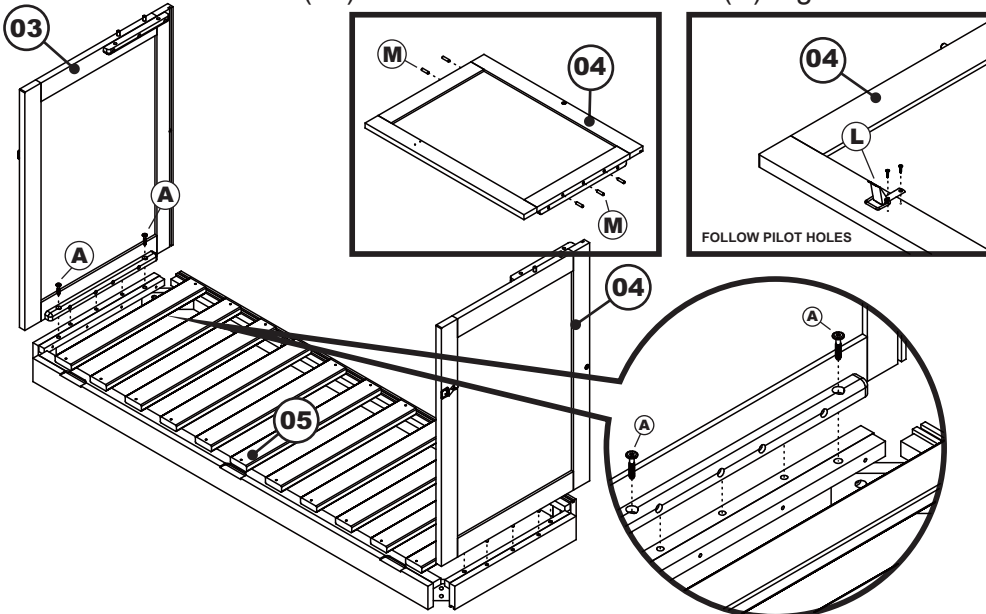
1 BOX C-7641X

1 BOX



STEP 1

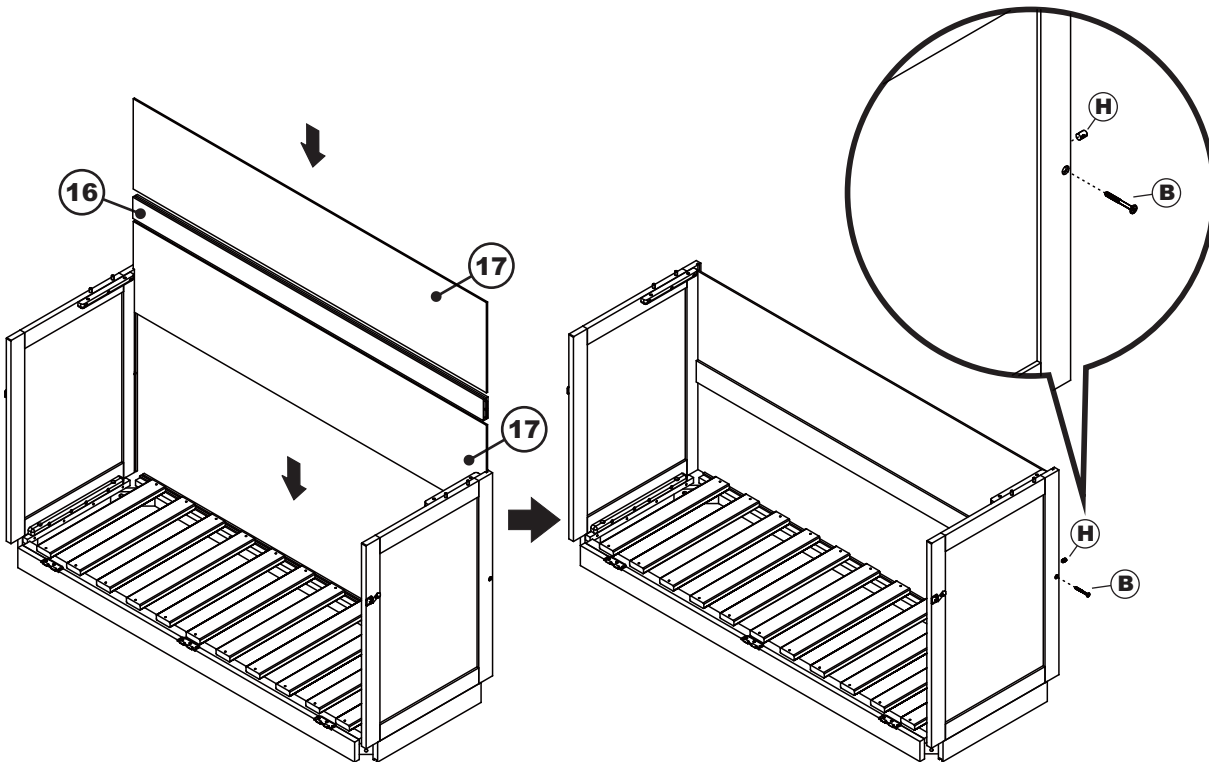
Insert wood dowels (M) to the side panels(03)(04) as shown below. Install spring clip (L) set with screw to side panels (03)(04). Tighten with phillips head screwdriver. Customer supplied. Attach left side panel (03) and right side panel (04) to the base (05) as shown below. Use JCB (A). Tighten with Allen wrench M4 (P).



QUEEN

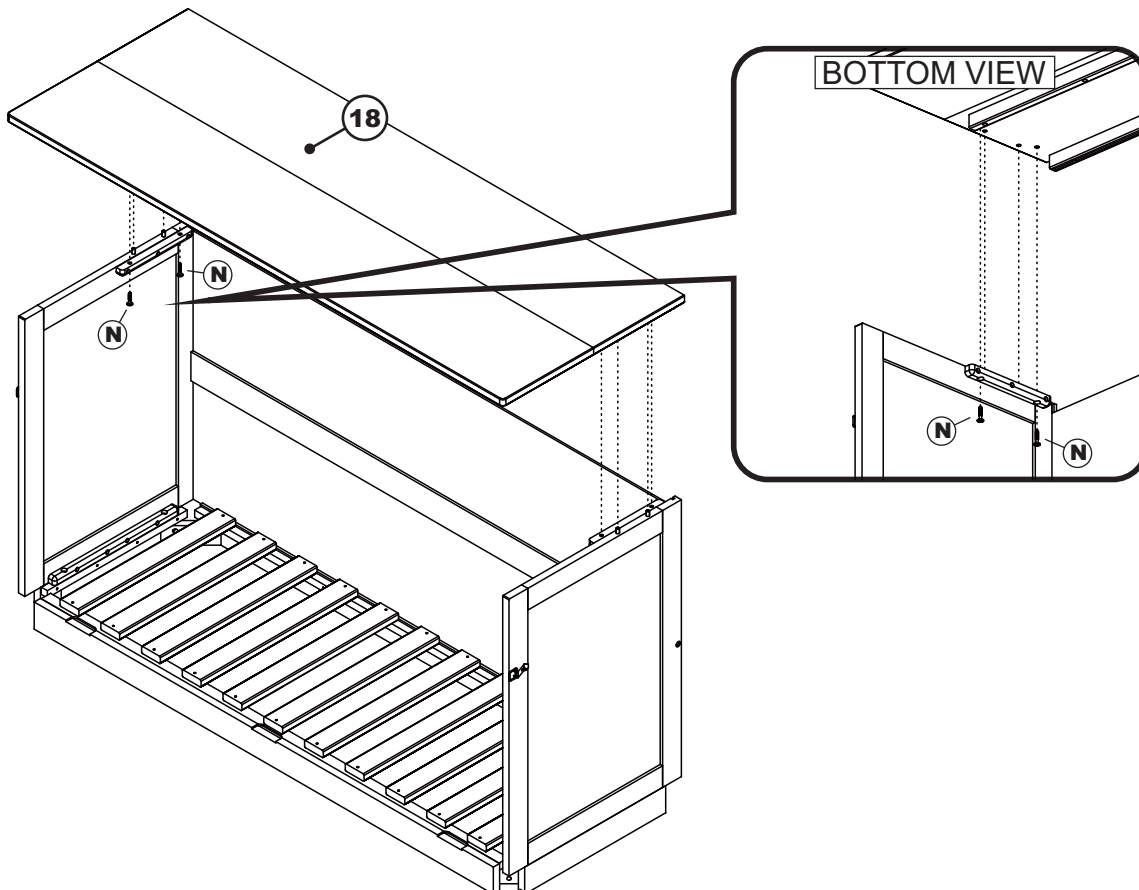
STEP 2

Guide the back panel (17) and back rail (16) in carefully so that it won't jump out of its grooves. Be sure it fits fully into its groove at the back rail before fitting the top panel. Use JCB (B) and barrel nut (H). Tighten with allen wrench M4 (P).



STEP 3

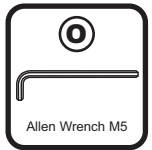
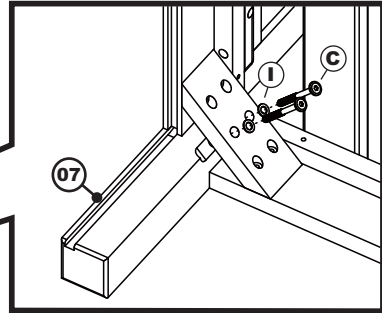
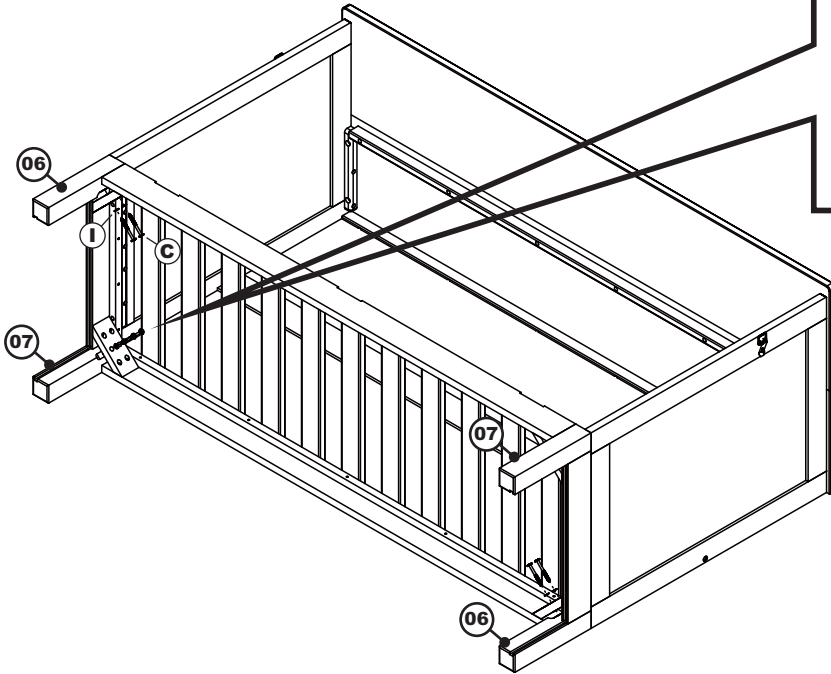
Attach top panel (18) to cabinet assembly as shown below. Use JCB (N). Tighten with Allen wrench M4 (O)



QUEEN

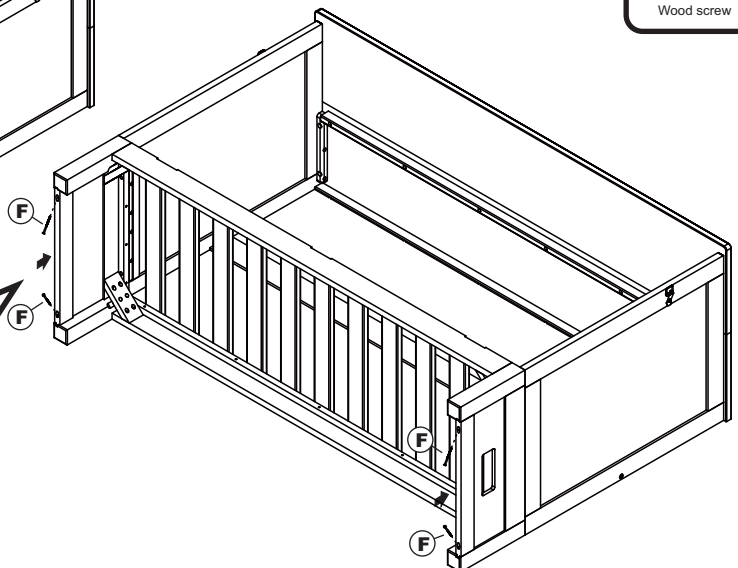
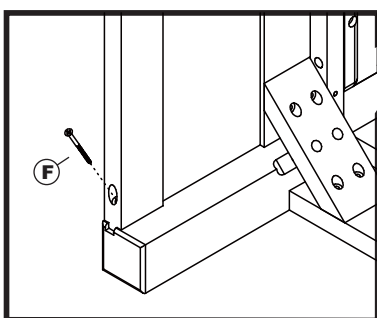
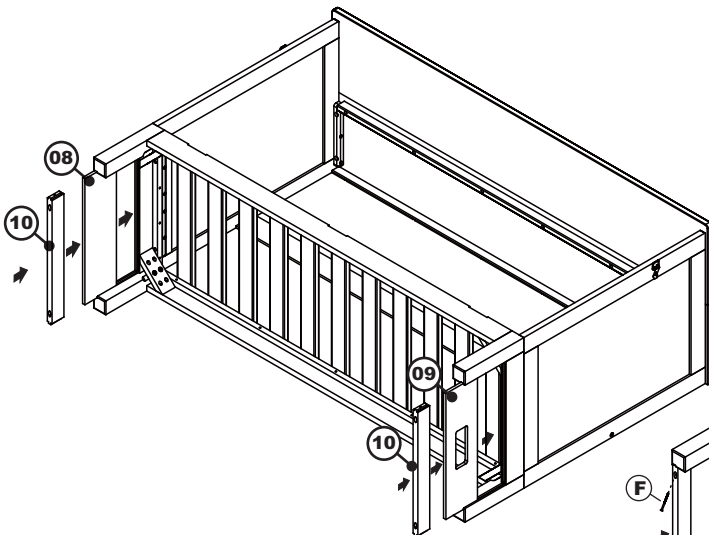
STEP 4

Attach legs (06)(07) to cabinet assembly as shown below. Use flat washer (I) and JCB M8 (C). Tighten with Allen wrench M5 (O)



STEP 5

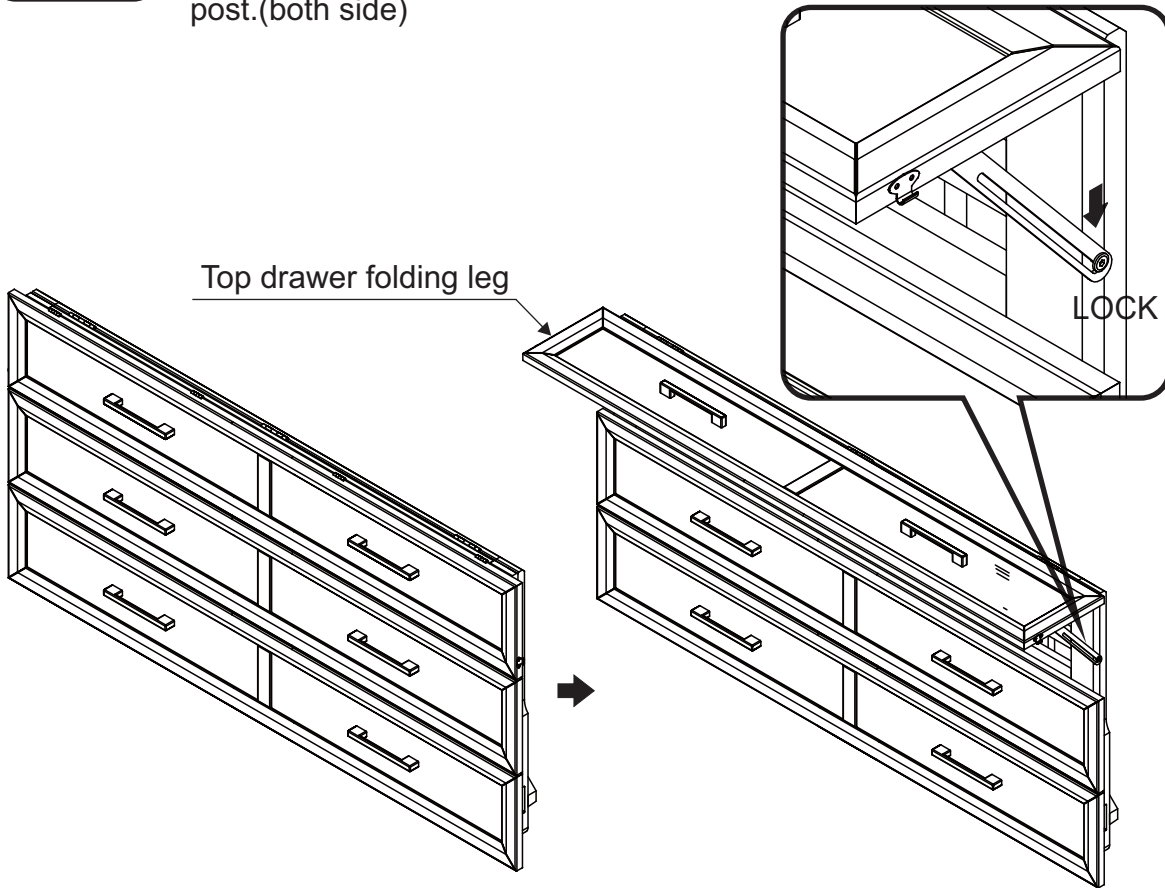
Guide the L panel (08)(09) and L bottom rail (10) in carefully so that it won't jump out of its grooves. Be sure it fits fully into its groove at the base rail before fitting the L bottom rails (10). Use wood screw (F). Tighten with Phillips head screwdriver. (Customer supplied)



QUEEN

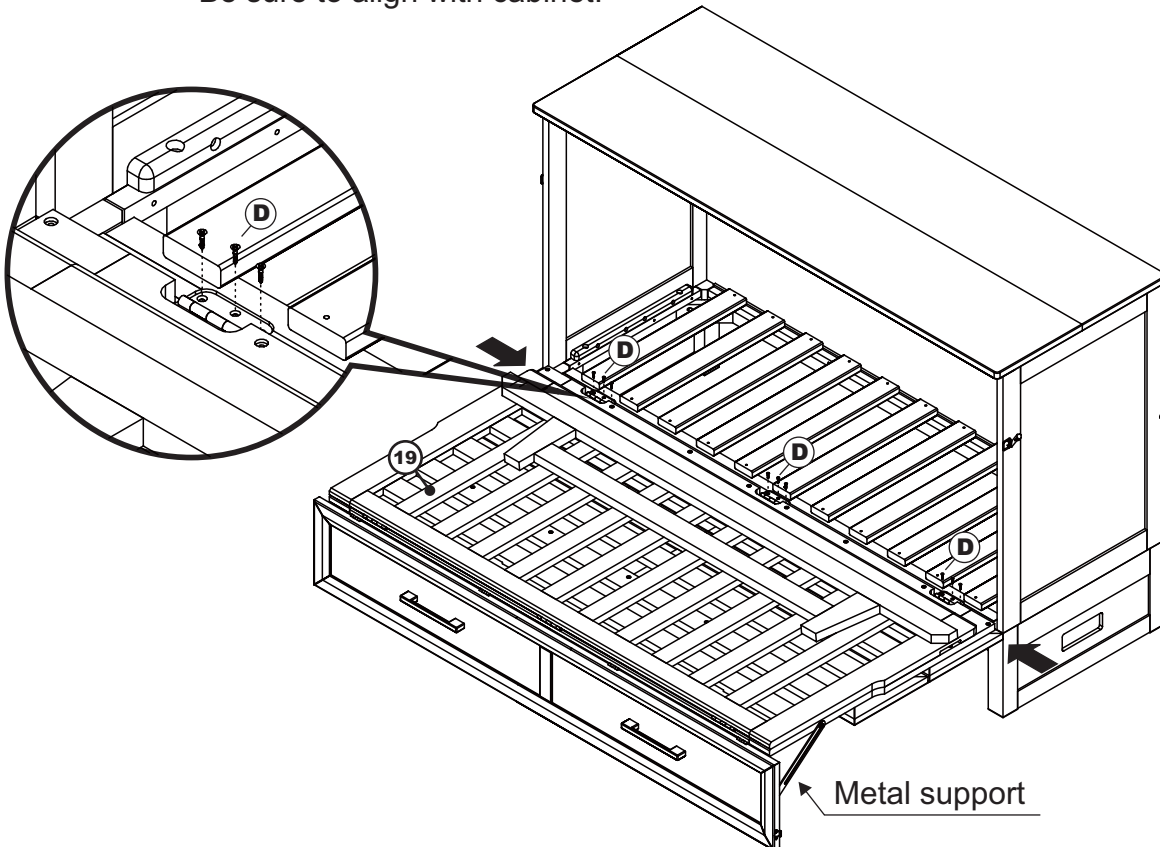
STEP 6

Open top drawer folding leg as shown below. Using metal support and lock to the post.(both side)



STEP 7

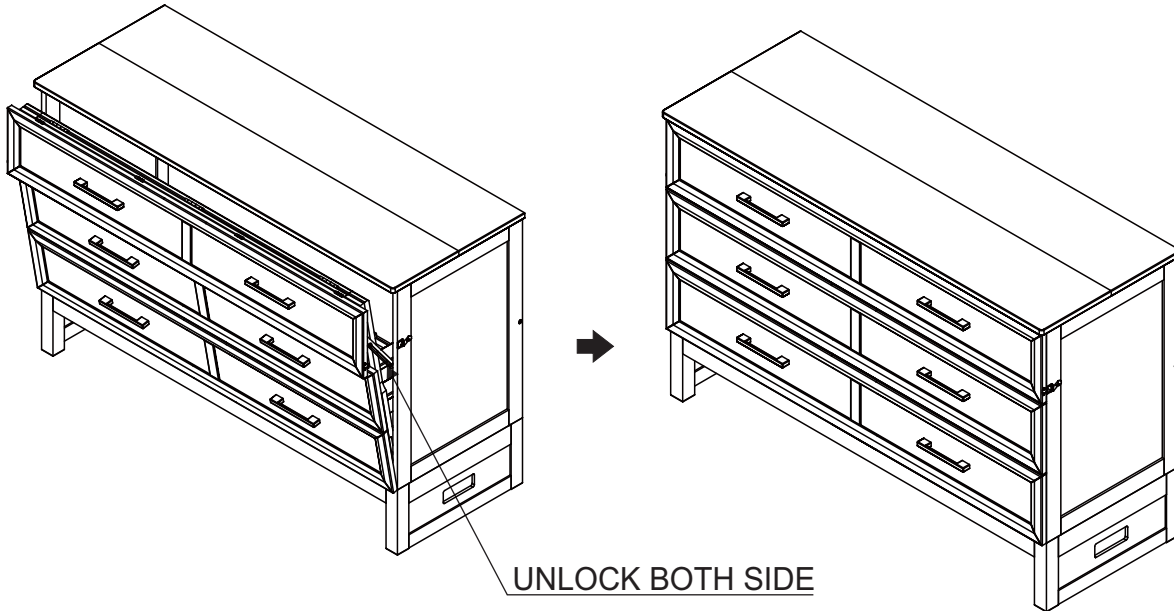
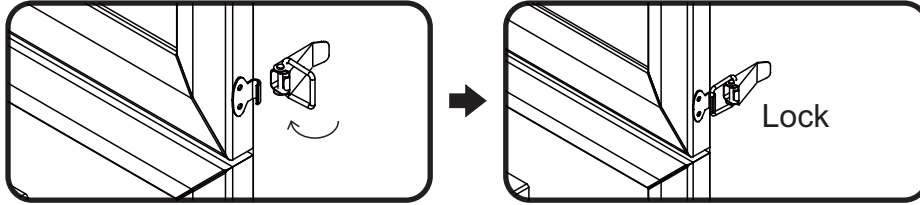
Attach folding panel assembly (19) to cabinet assembly as shown below. Use wood screw (D). Tighten with Phillips head screwdriver. Customer supplied. Be sure to align with cabinet.



QUEEN

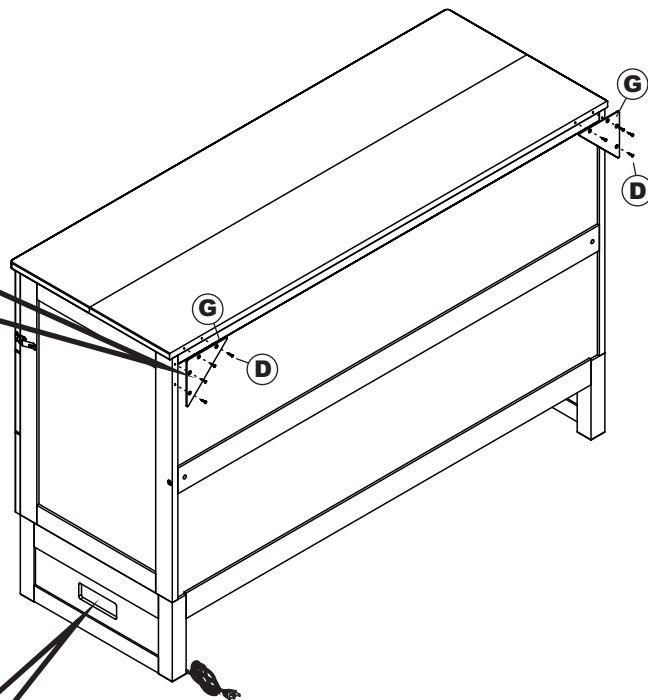
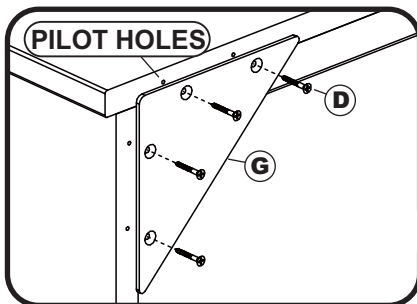
STEP 8

Unlock metal support. Lift the door and latch to side panel. Push the door closed and latch both sides as shown below.



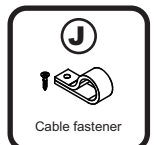
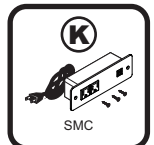
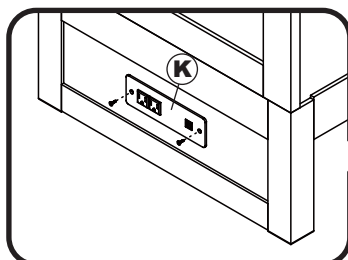
STEP 9

Attach triangle bracket (G) to the back of cabinet as shown below. Use wood screw (D) tighten with Phillips head screwdriver. (customer supplied).



STEP 10

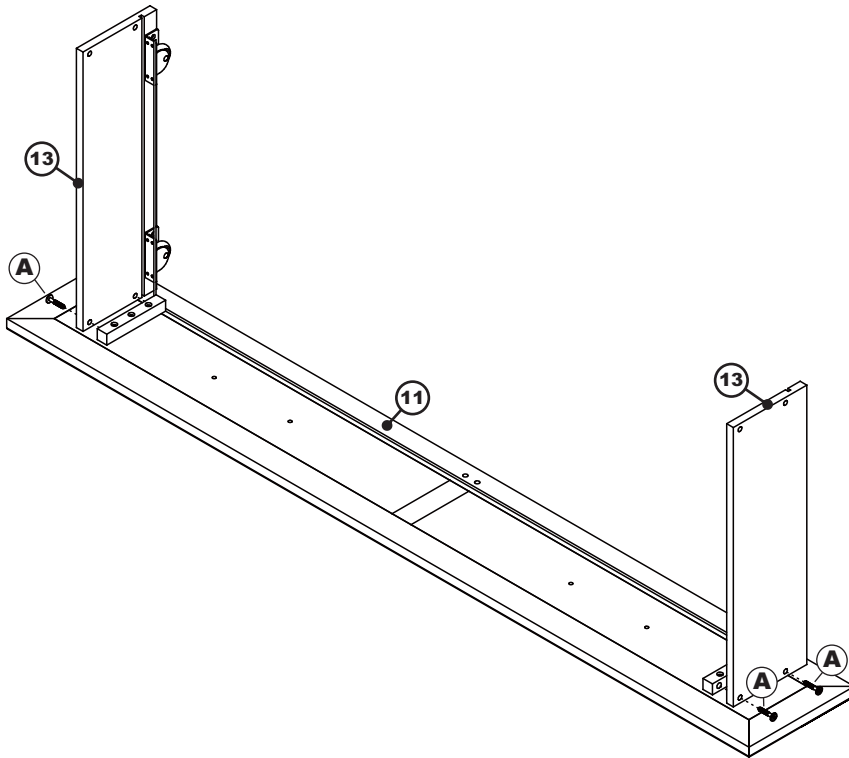
Install USB charger (K) to the location as shown. Using 1/2" screws and cable fastener (J). Tighten with Phillips head screwdriver. (Customer supplied)



QUEEN

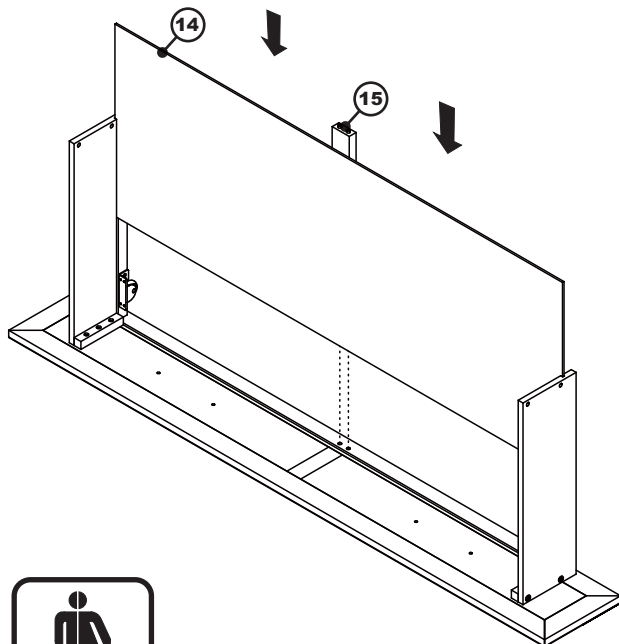
STEP 11

Lay the drawer face (11) on smooth, flat surface so the groove is facing upwards. Fit the drawer side (13) to drawer face (11), Use JCB (A), align groove inside panel with groove in drawer face. Tighten with Allen wrench M4 (P).



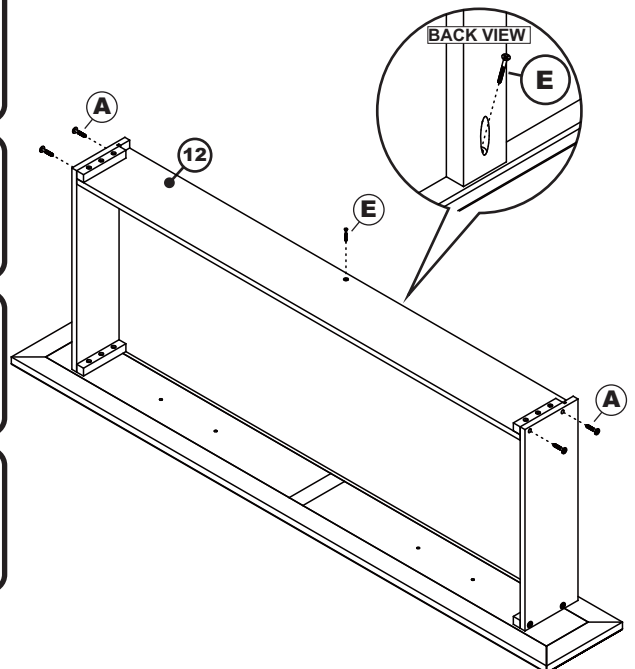
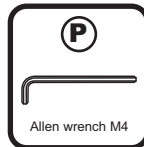
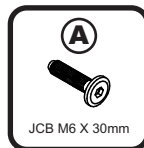
STEP 12

Guide the drawer panel (14) in carefully so that it won't jump out of its grooves. Be sure it fits fully into its groove at the bottom (in the drawer face) before fitting the drawer back. Attach drawer panel support (15) to the locator holes as shown below.



STEP 13

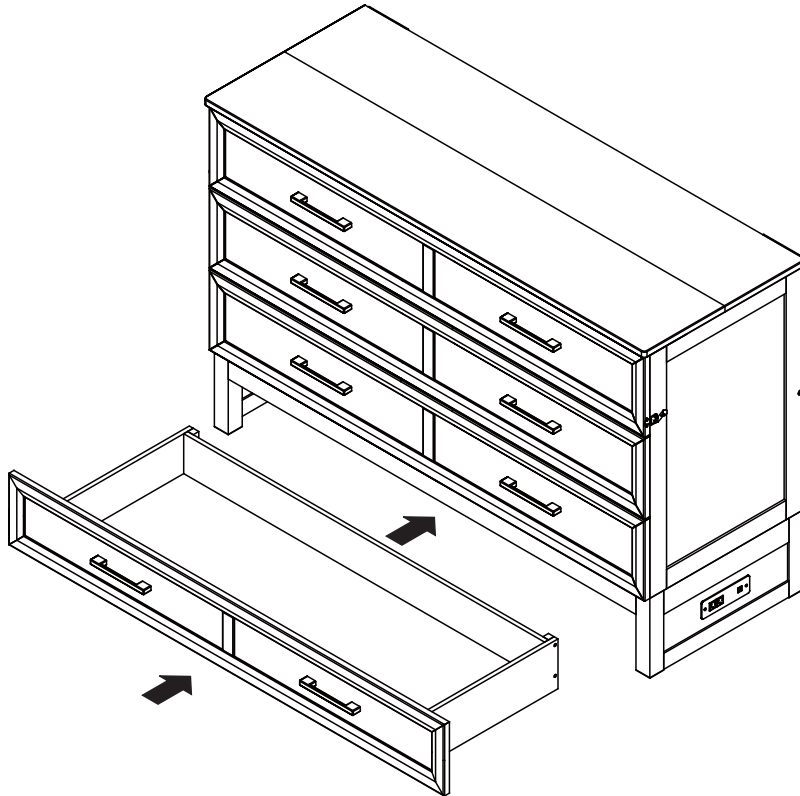
Attach drawer back (12) to drawer assembly as shown. Use JCB M6 (A) and wood screw (E) Tighten with Allen wrench M4 (P) and Phillips head screwdriver. Customer supplied.



QUEEN

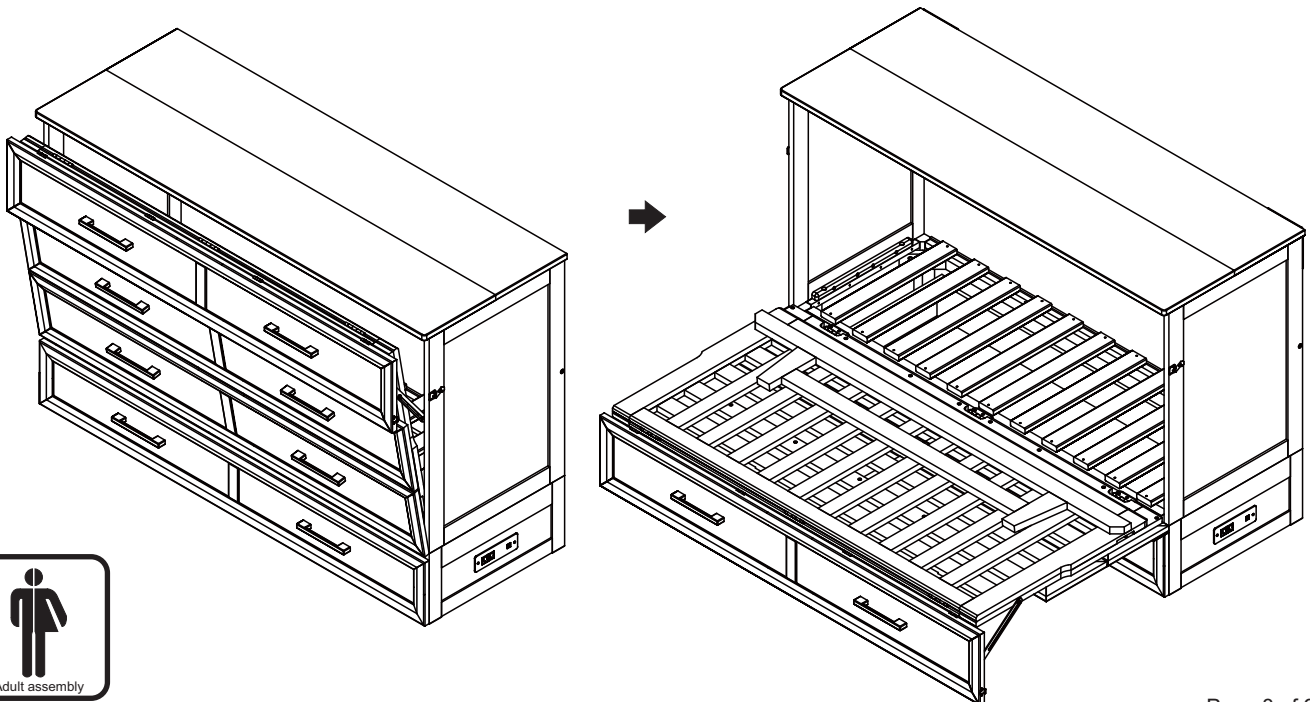
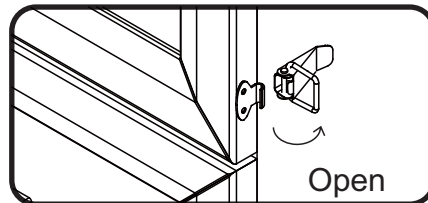
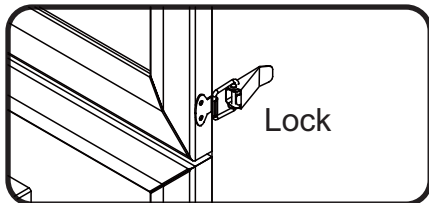
STEP 14

Move the murphy bed assemblies where you want to place them in the room. Insert drawer assembly to the murphy bed assembly as shown below.



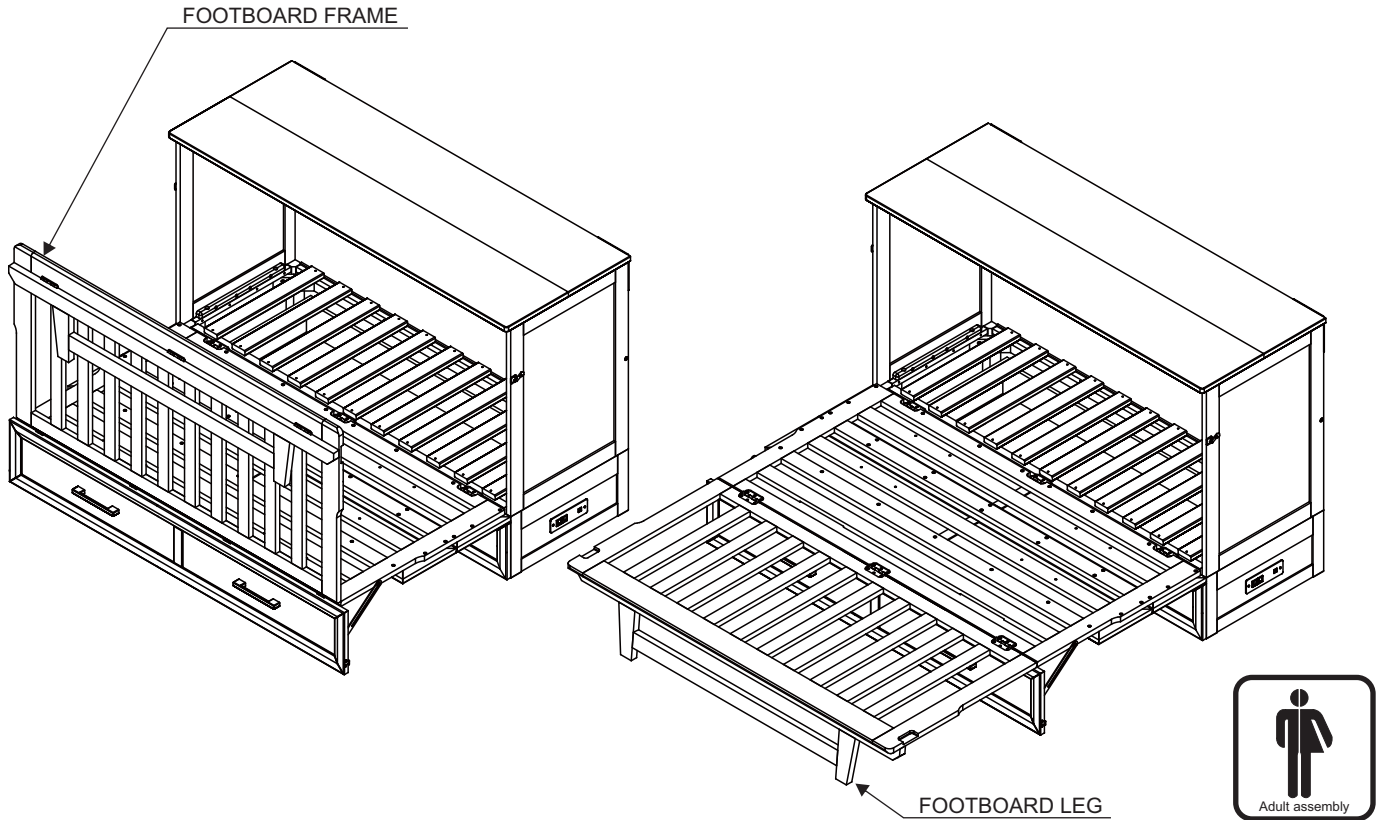
STEP 15

Unlatch the door and open, folding down and lock metal support to the post as shown.

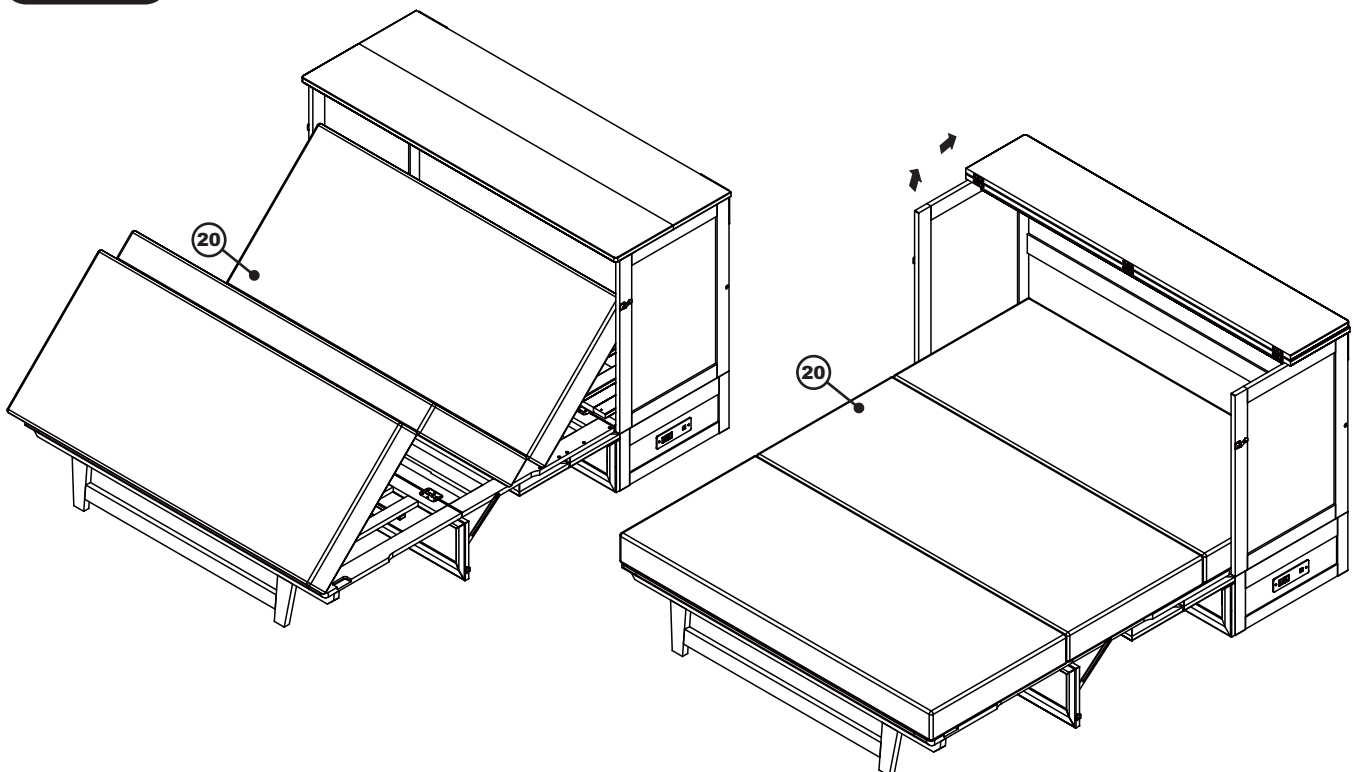


QUEEN

STEP 16 Open and pull footboard frame and open footboard leg as shown below.



STEP 17 Install folding mattress (20) to the bed. Open top panel as shown below.



Congratulations!

Your Murphy bed is now ready for use.

We recommend that you recheck that all screws are tight, and that all parts are secure before use to ensure lasting Safety.

