

ASSEMBLY INSTRUCTIONS

Before assembling your headboard, please read through these instructions carefully and familiarize yourself with the different parts.

ATTENTION! If you receive a damaged or defective item, please contact afifurnishings at customerservice@afifurnishings.com or 1-800-955-3726



PARTS LIST

- ① HEADBOARD PANEL 1 PC
- ② LEFT HB LEG 1 PC
- ③ RIGHT HB LEG 1 PC
- ④ PILLOW STOP 1 PC
- ⑤ FOOTBOARD PANEL 1 PC
- ⑥ LEFT FB LEG 1 PC
- ⑦ RIGHT FB LEG 1 PC
- ⑧ PACKING STICK 2 PCS

Instructions apply for bed sizes
QUEEN > KING

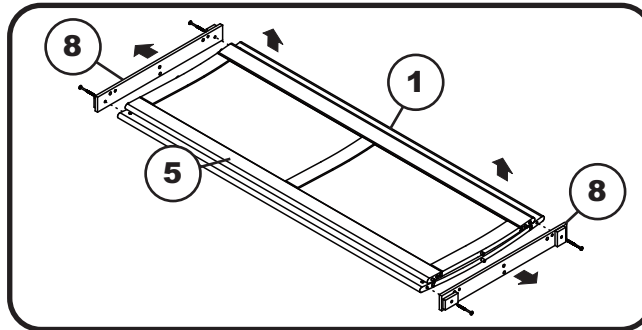
HARDWARE

- ① Wooden dowel - 4 pcs
Spare - 1 pc
- ② JCB M6 X 70mm (2 3/4") - 4 pcs
Spare - 1 pc
- ③ Barrel nut - 4 pcs
Spare - 1 pc
- ④ JCB M6 X 45mm (1 3/4") - 2 pcs
Spare - 1 pc
- ⑤ JCB M6 X 30mm (1 1/4") - 2 pcs
Spare - 1 pc
- ⑥ Wood Button - 8 pcs
Spare - 1 pc
- ⑦ Allen wrench - 1pc
Spare - 1pc

NOTE: WE INCLUDE SPARE HARDWARE IN CASE DAMAGE OCCURS DURING ASSEMBLY.

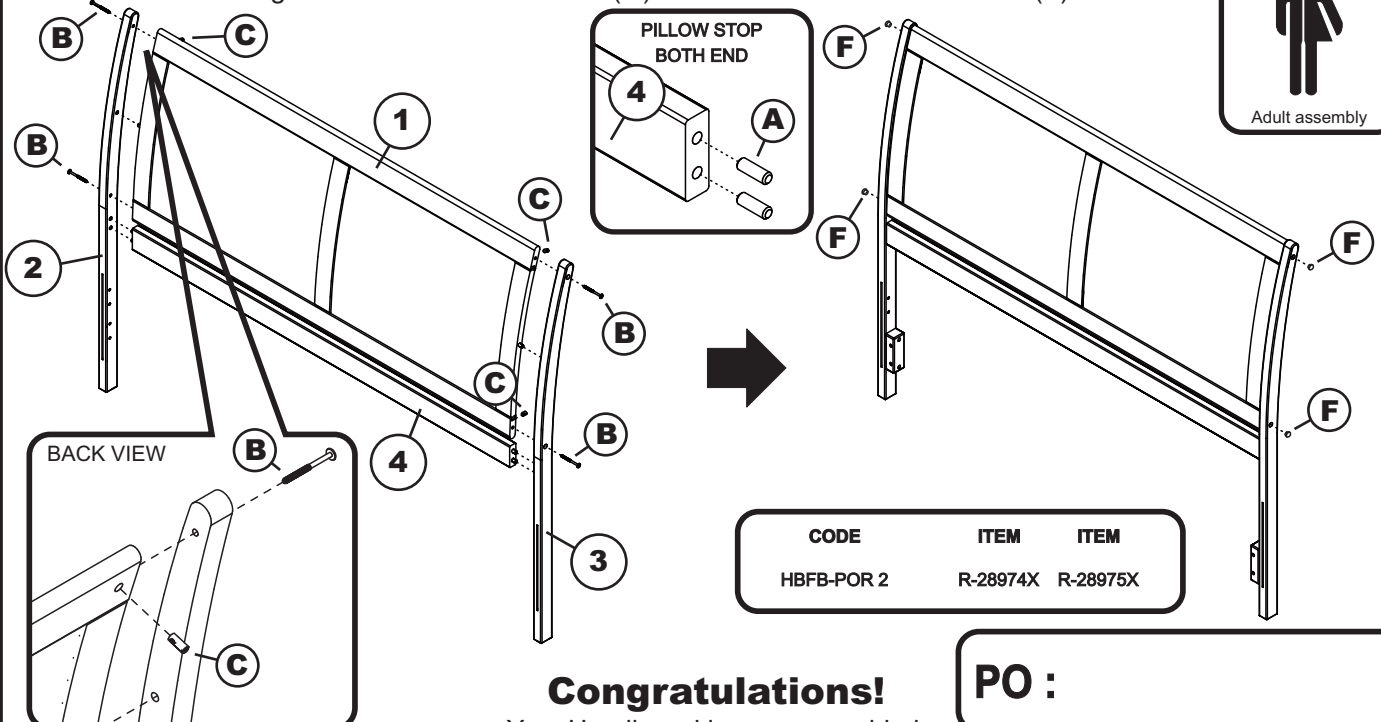
Step 1

Remove packing stick (8) from headboard panel (1) footboard panel (5) and **DISCARD**.



Step 2

Insert wooden dowels (A) to the locator holes on pillow stop (4). Attach the legs (2) and (3) to the headboard panel (1) and pillow stop (4). Using JCB (B) and barrel nut (C). Tighten with the Allen wrench (G). Cover holes with wood button (F).



CODE	ITEM	ITEM
HBFB-POR 2	R-28974X	R-28975X

Congratulations!

Your Headboard is now assembled.

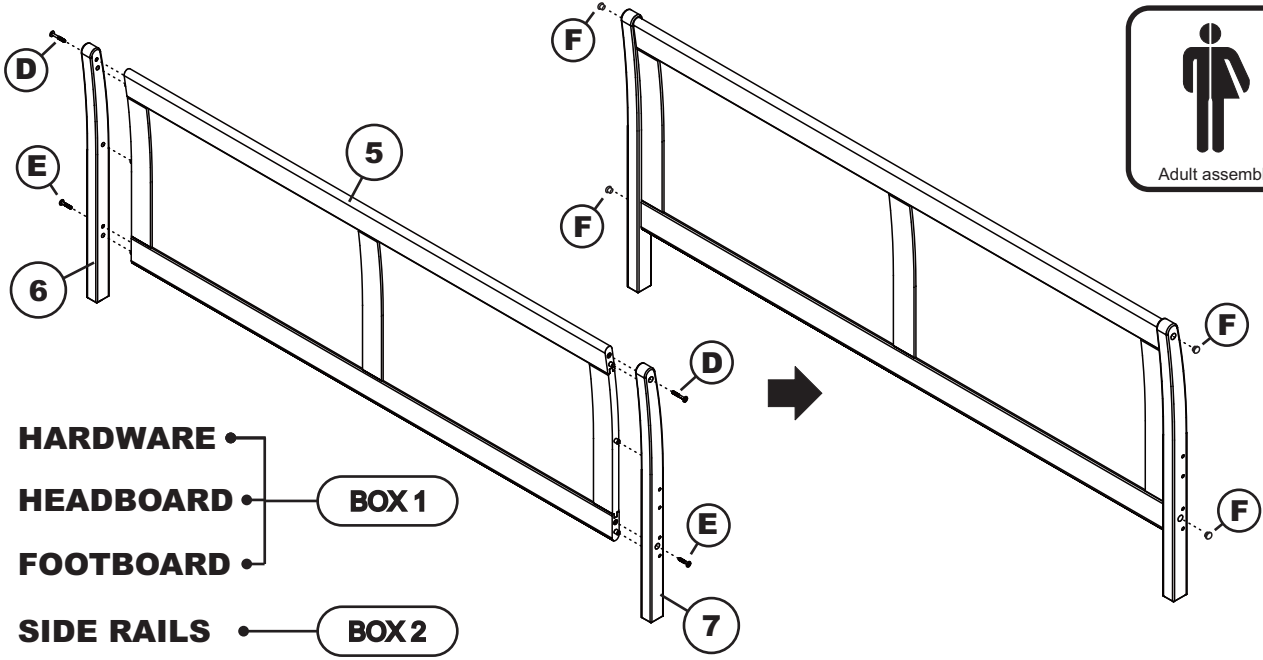
PO :

To ensure lasting safety, we recommend that you periodically check that all screws are tight and all parts are secure.

QUEEN > KING

Step 4

Attach the FB legs (6) and (7) to footboard panel (5), using JCB (D)(E). Tighten with the Allen wrench (G). Cover holes with wood button (F).

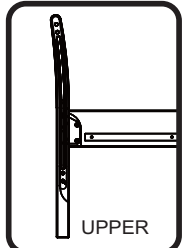
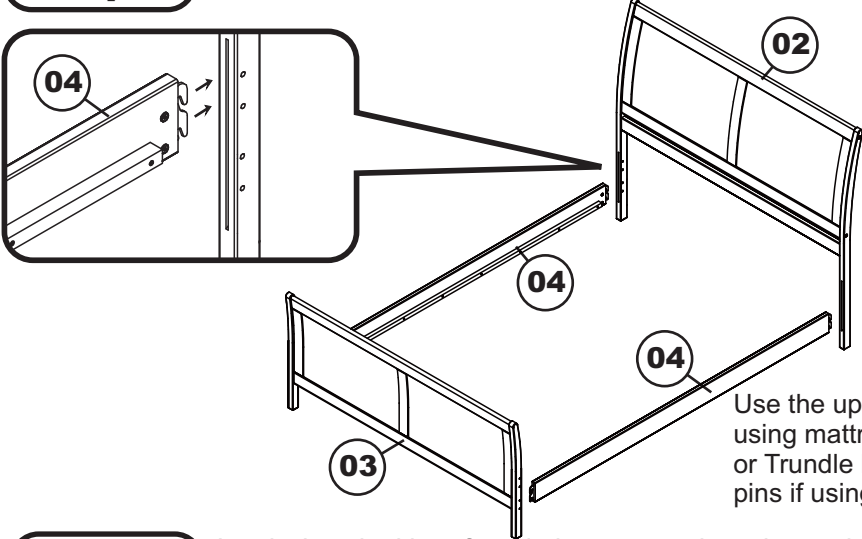


Adult assembly

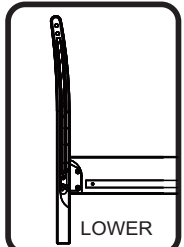
- 01 HARDWARE
- 02 HEADBOARD — BOX 1
- 03 FOOTBOARD
- 04 SIDE RAILS — BOX 2

Step 1

Attach the side rails (04) to the headboard (02) and footboard (03) using the bed hook as shown below.



UPPER

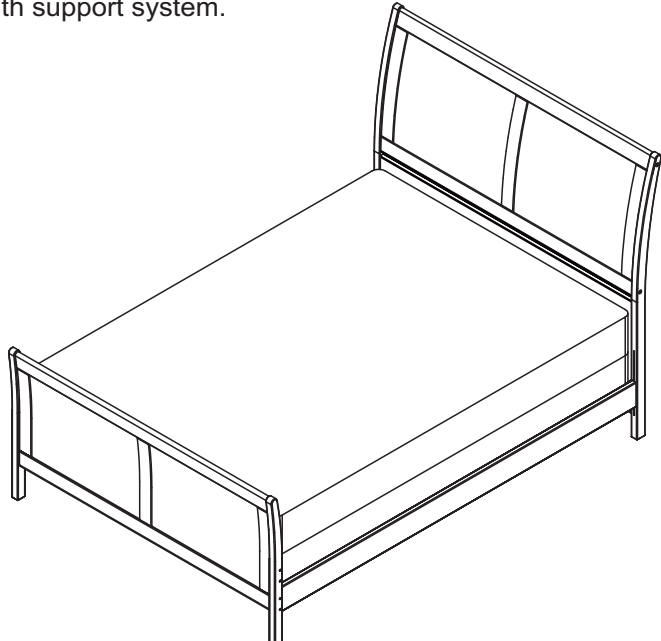


LOWER

Use the upper set of pins when using mattress only, storage drawers or Trundle bed. Use the lower set of pins if using foundation and mattress.

Step 2

Lastly, lay slat kit or foundation support board onto the bed. For assembly, follow the instructions included with support system.



Adult assembly

FULL

ASSEMBLY INSTRUCTIONS

Before assembling your bed frame, please read through these instructions carefully and familiarize yourself with the different parts.


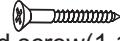



ATTENTION! If you receive a damaged or defective item, please contact afifurnishings at customerservice@afifurnishings.com or 1-800-955-3726

PARTS LIST

- ① **SIDE RAILS** **2 PCS**
- ② **SUPPORT BOARD** **3 PCS**
- ③ **CENTER LEGS** **3 PCS**

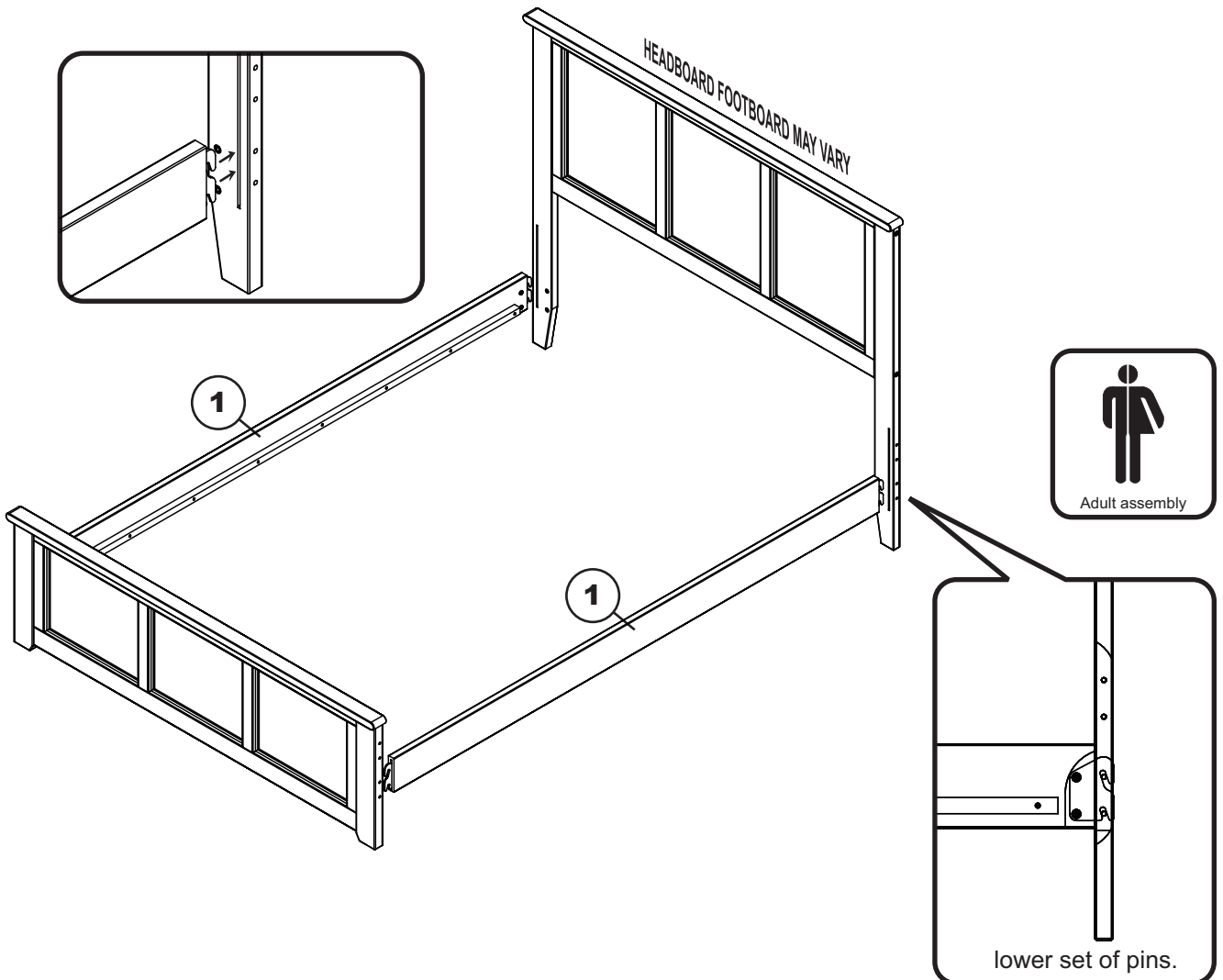
HARDWARE

- Ⓐ  Allen Screw - 3 pcs
Spare - 1 pc
- Ⓑ  Wood screw (1 1/4") - 6 pcs
Spare - 1 pc
- Ⓒ  Allen wrench - 1pc
Spare - 1pc

NOTE: WE INCLUDE SPARE HARDWARE IN CASE DAMAGE OCCURS DURING ASSEMBLY.

Step 1

Attach side rails (1) to the headboard and footboard. For assembly, follow the assembly instructions included with your headboard and footboard.



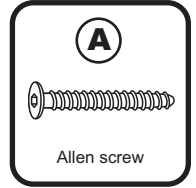
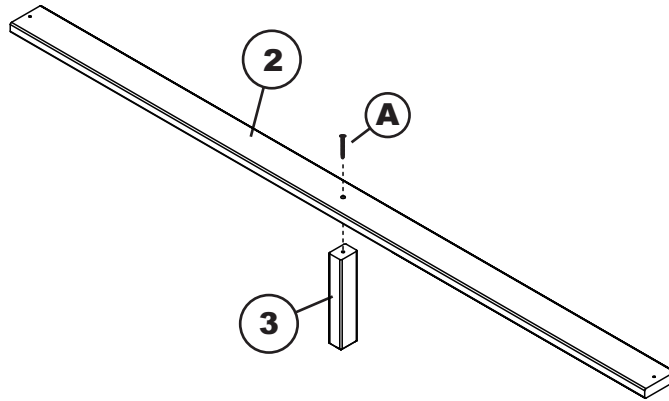
PO:

CODE	ITEM
FR-UBN2-FNM	R-26513X

FULL

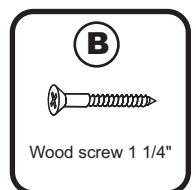
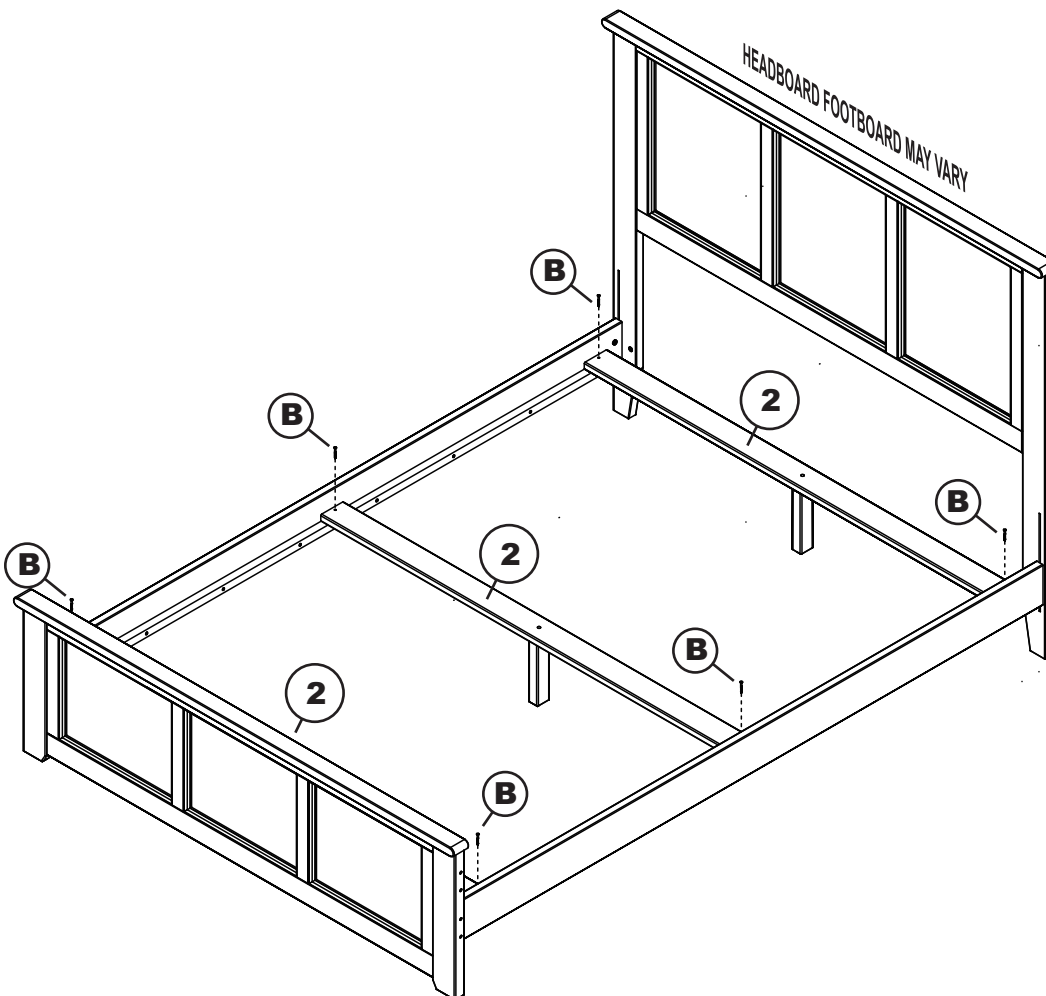
Step 2

Attach center leg (3) to support board (2) as shown below. Using allen screw (A) tighten with Allen wrench (C). Repeat the others.



Step 3

Attach support board (2) to the bed as shown below using wood screws 1 1/4" (B). Tighten with Phillips head screw driver. (customer supplied)



Congratulations!

Your bed is now ready for use.

We recommend that you periodically recheck that all screws are tight to ensure lasting safety.