

## ASSEMBLY INSTRUCTIONS

Before assembling your headboard, please read through these instructions carefully and familiarize yourself with the different parts.

**ATTENTION!** If you receive a damaged or defective item, please contact afifurnishings at customerservice@afifurnishings.com or 1-800-955-3726



### PARTS LIST

- ① HEADBOARD PANEL 1 PC
- ② LEFT HB LEG 1 PC
- ③ RIGHT HB LEG 1 PC
- ④ PILLOW STOP 1 PC
- ⑤ FOOTBOARD PANEL 1 PC
- ⑥ LEFT FB LEG 1 PC
- ⑦ RIGHT FB LEG 1 PC
- ⑧ PACKING STICK 2 PCS

Instructions apply for bed size  
**KING**

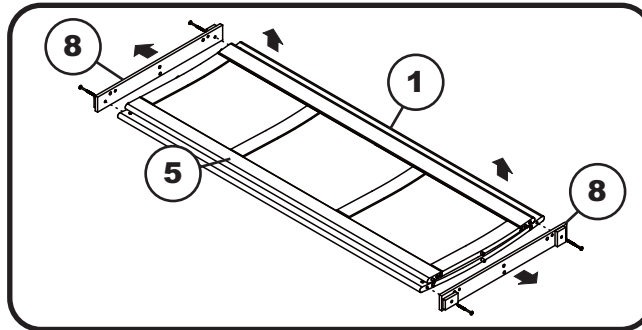
### HARDWARE

- ① Wooden dowel - 4 pcs  
Spare - 1 pc
- ② JCB M6 X 70mm (2 3/4") - 4 pcs  
Spare - 1 pc
- ③ Barrel nut - 4 pcs  
Spare - 1 pc
- ④ JCB M6 X 45mm (1 3/4") - 2 pcs  
Spare - 1 pc
- ⑤ JCB M6 X 30mm (1 1/4") - 2 pcs  
Spare - 1 pc
- ⑥ Wood Button - 8 pcs  
Spare - 1 pc
- ⑦ Allen wrench - 1pc  
Spare - 1pc

NOTE: WE INCLUDE SPARE HARDWARE IN CASE DAMAGE OCCURS DURING ASSEMBLY.

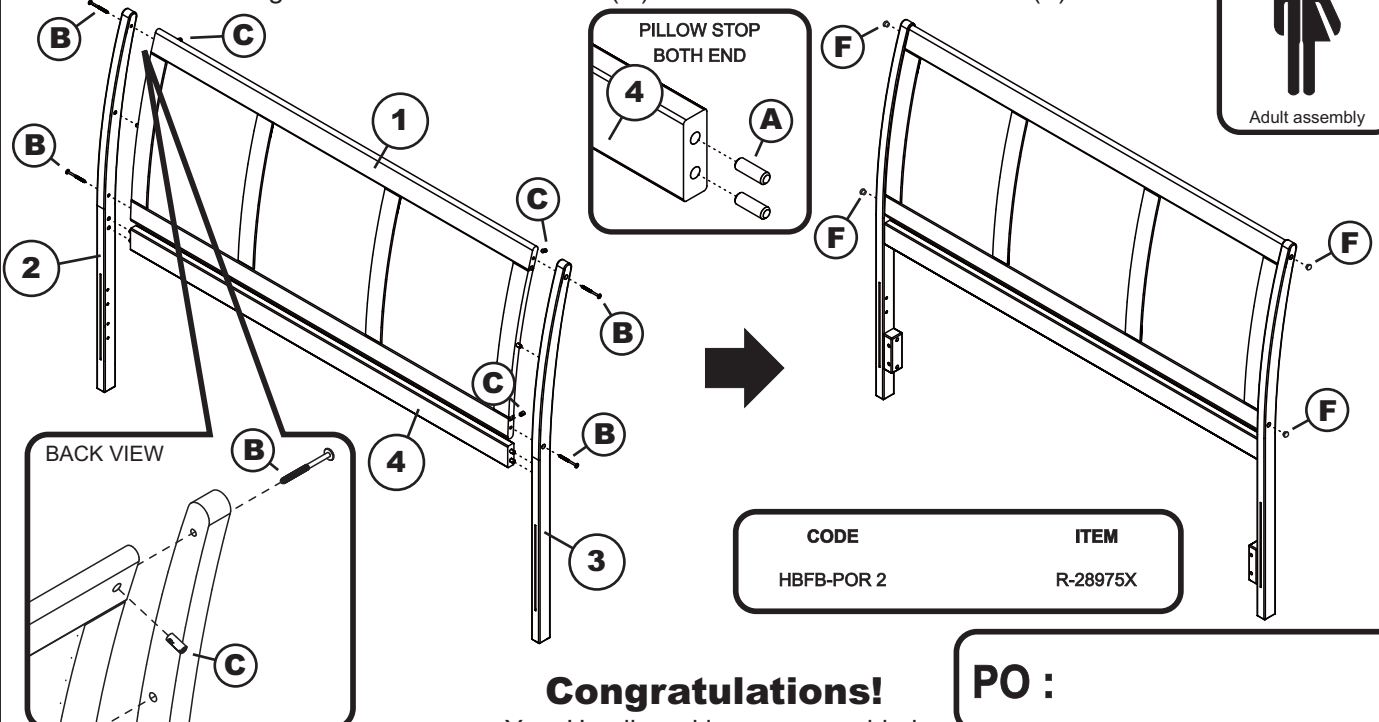
### Step 1

Remove packing stick (8) from headboard panel (1) footboard panel (5) and **DISCARD**.



### Step 2

Insert wooden dowels (A) to the locator holes on pillow stop (4). Attach the legs (2) and (3) to the headboard panel (1) and pillow stop (4). Using JCB (B) and barrel nut (C). Tighten with the Allen wrench (G). Cover holes with wood button (F).



CODE	ITEM
HBFB-POR 2	R-28975X

**Congratulations!**

Your Headboard is now assembled.

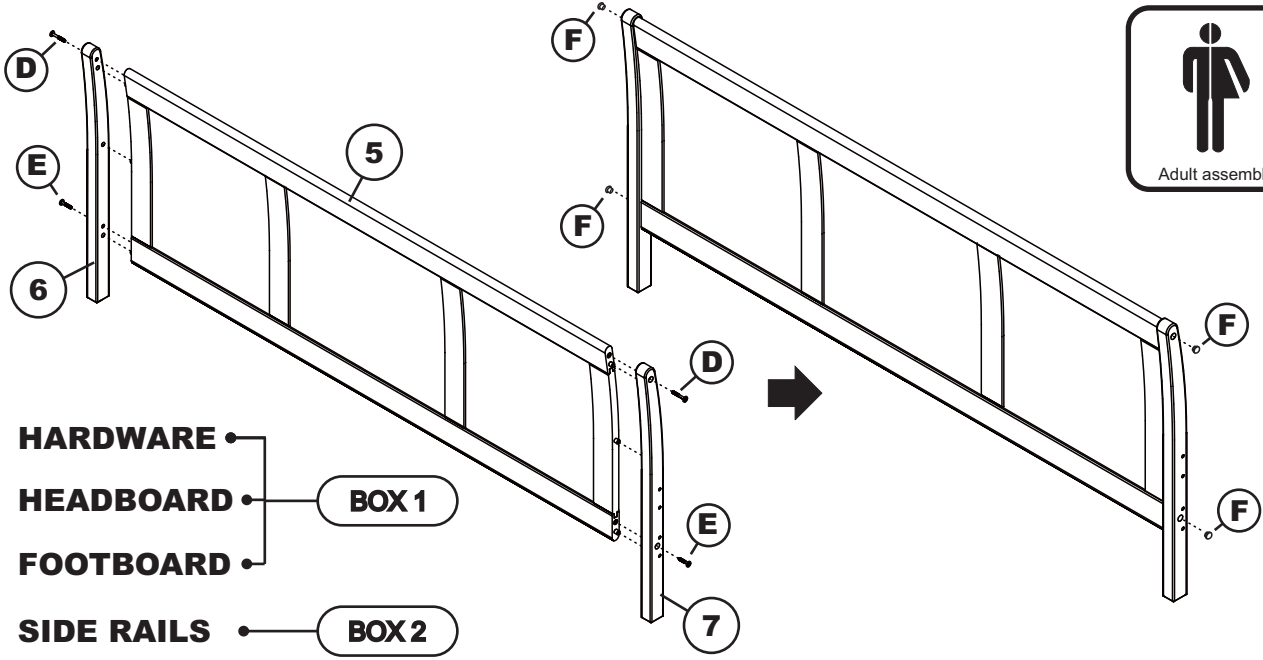
**PO :**

To ensure lasting safety, we recommend that you periodically check that all screws are tight and all parts are secure.

KING

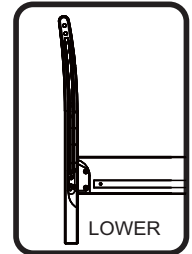
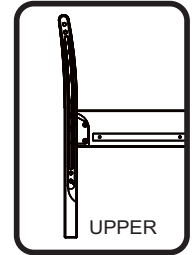
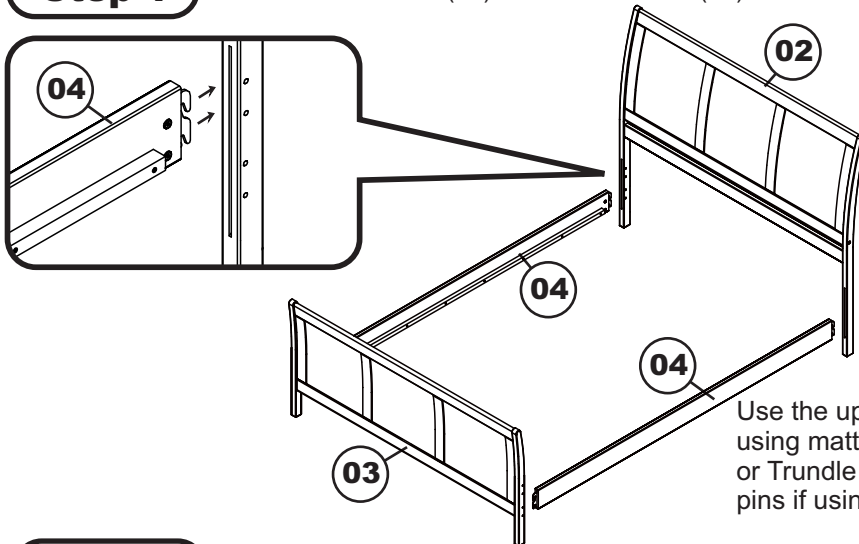
**Step 4**

Attach the FB legs (6) and (7) to footboard panel (5), using JCB (D)(E). Tighten with the Allen wrench (G). Cover holes with wood button (F).



**Step 1**

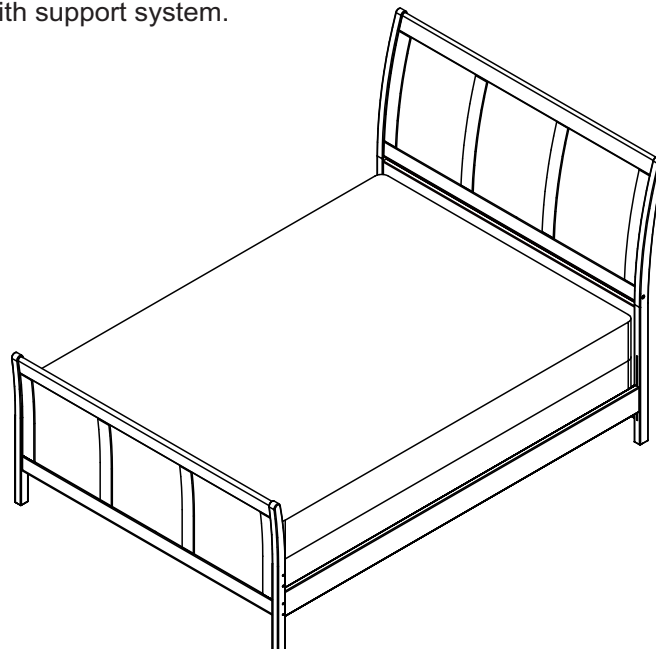
Attach the side rails (04) to the headboard (02) and footboard (03) using the bed hook as shown below.



Use the upper set of pins when using mattress only, storage drawers or Trundle bed. Use the lower set of pins if using foundation and mattress.

**Step 2**

Lastly, lay slat kit or foundation support board onto the bed. For assembly, follow the instructions included with support system.



## KING

### ASSEMBLY INSTRUCTIONS

Before assembling your bed frame, please read through these instructions carefully and familiarize yourself with the different parts.




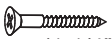




**ATTENTION!** If you receive a damaged or defective item, please contact afifurnishings at customerservice@afifurnishings.com or 1-800-955-3726

#### PARTS LIST

- ① **SIDE RAILS**            **2 PCS**
- ② **SLAT KIT**            **2 SET**
- ③ **SUPPORT RAIL**       **2 PCS**
- ④ **SUPPORT LEGS**      **4 PCS**

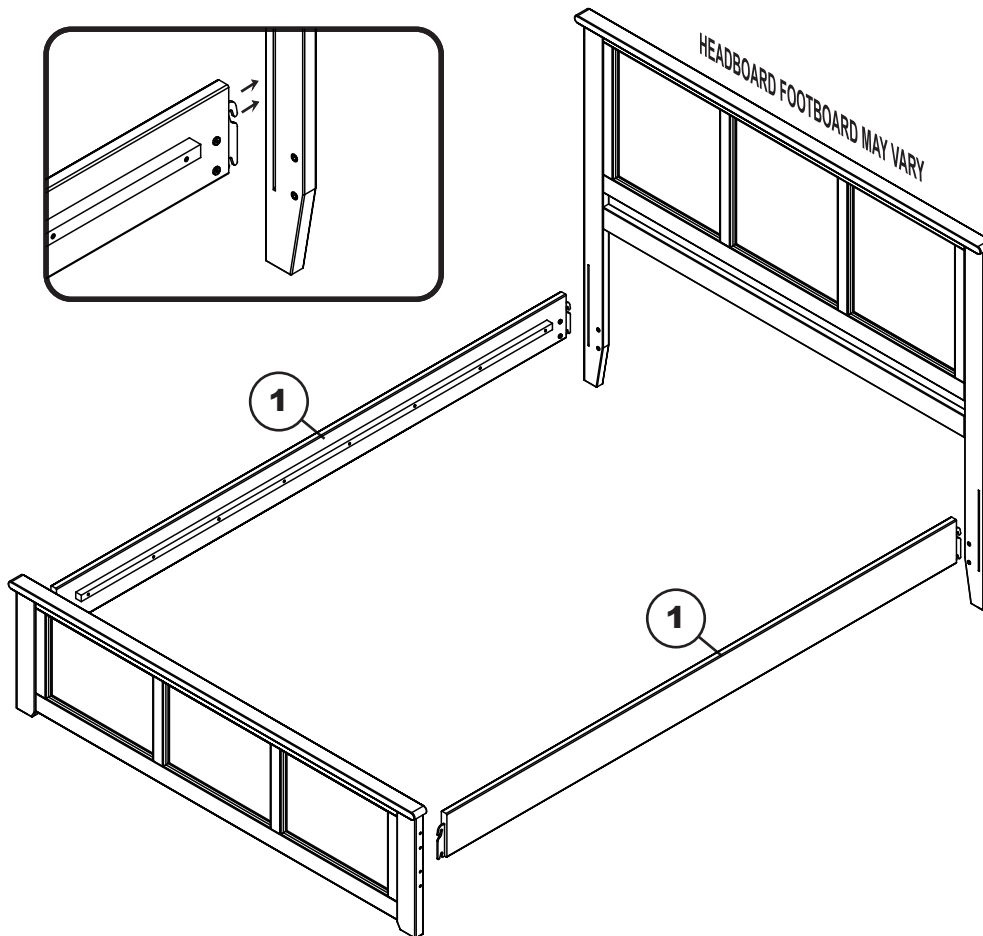
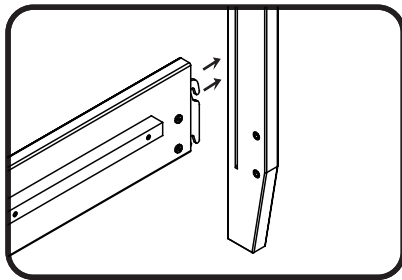
#### HARDWARE

- A**  JCB M6 X 30mm ( 1 1/8" ) - 6 pcs  
Spare - 1 pc
- B**  Cap Nut - 6 pcs
- C**  JCB M8 X 40mm ( 1 5/8" ) - 4 pcs  
Spare - 1 pc
- D**  Wood screw(1 1/4" ) - 12 pcs  
Spare - 1 pc
- E**  Allen wrench M4 - 1pc  
Spare - 1pc
- F**  Allen wrench M6 - 1pc

NOTE: WE INCLUDE SPARE HARDWARE IN CASE DAMAGE OCCURS DURING ASSEMBLY.

### Step 1

Attach side rails (1) to the headboard and footboard. For assembly, follow the assembly instructions included with your headboard and footboard.



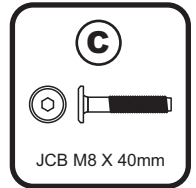
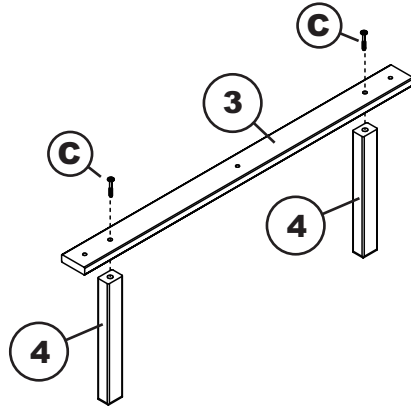
**PO:**

CODE	ITEM
FR-KEW-LOM	R-22225X

# KING

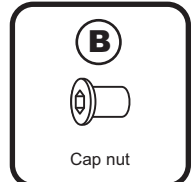
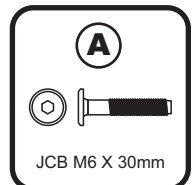
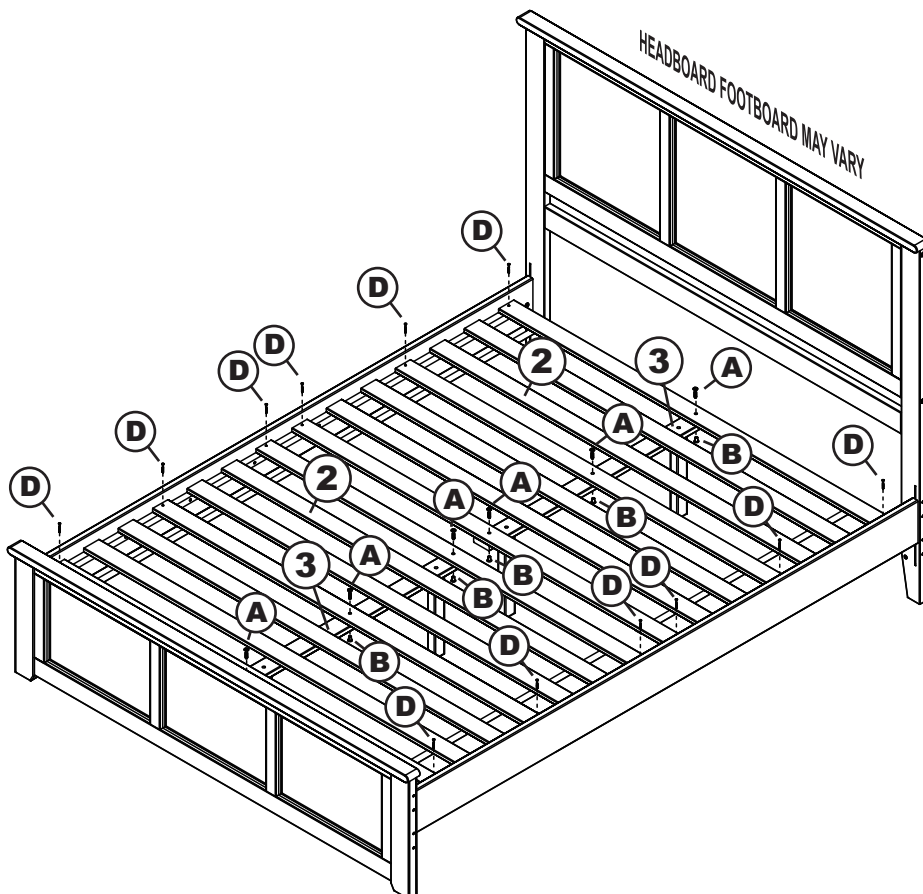
## Step 3

Attach support legs (4) to support rail (3) as shown below. Using JCB M8 (C) tighten with Allen wrench M6 (F). Repeat the other.



## Step 4

Attach support rail (3) to the slat kit (2) as shown below. Using JCB M6 X 30mm (A) and cap nut (B). Tighten with Allen wrench M4 (E). Using wood screw (D) tighten with Phillips head screwdriver. (Customer supplied)



**Congratulations!**

Your bed is now ready for use.

We recommend that you periodically recheck that all screws are tight to ensure lasting safety.