

ASSEMBLY INSTRUCTIONS

Before assembling your headboard, please read through these instructions carefully and familiarize yourself with the different parts.

ATTENTION! If you receive a damaged or defective item, please contact afifurnishings at customerservice@afifurnishings.com or 1-800-955-3726



PARTS LIST

- ① HEADBOARD PANEL 1 PC
- ② LEFT HB LEG 1 PC
- ③ RIGHT HB LEG 1 PC
- ④ PILLOW STOP 1 PC
- ⑤ FOOTBOARD PANEL 1 PC
- ⑥ LEFT FB LEG 1 PC
- ⑦ RIGHT FB LEG 1 PC
- ⑧ PACKING STICK 2 PCS

Instructions apply for bed sizes
QUEEN > KING

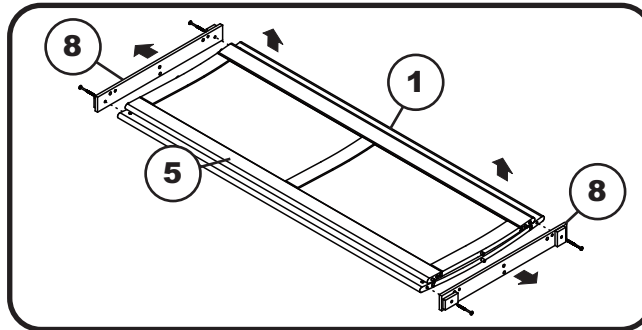
HARDWARE

- ① Wooden dowel - 4 pcs
Spare - 1 pc
- ② JCB M6 X 70mm (2 3/4") - 4 pcs
Spare - 1 pc
- ③ Barrel nut - 4 pcs
Spare - 1 pc
- ④ JCB M6 X 45mm (1 3/4") - 2 pcs
Spare - 1 pc
- ⑤ JCB M6 X 30mm (1 1/4") - 2 pcs
Spare - 1 pc
- ⑥ Wood Button - 8 pcs
Spare - 1 pc
- ⑦ Allen wrench - 1pc
Spare - 1pc

NOTE: WE INCLUDE SPARE HARDWARE IN CASE DAMAGE OCCURS DURING ASSEMBLY.

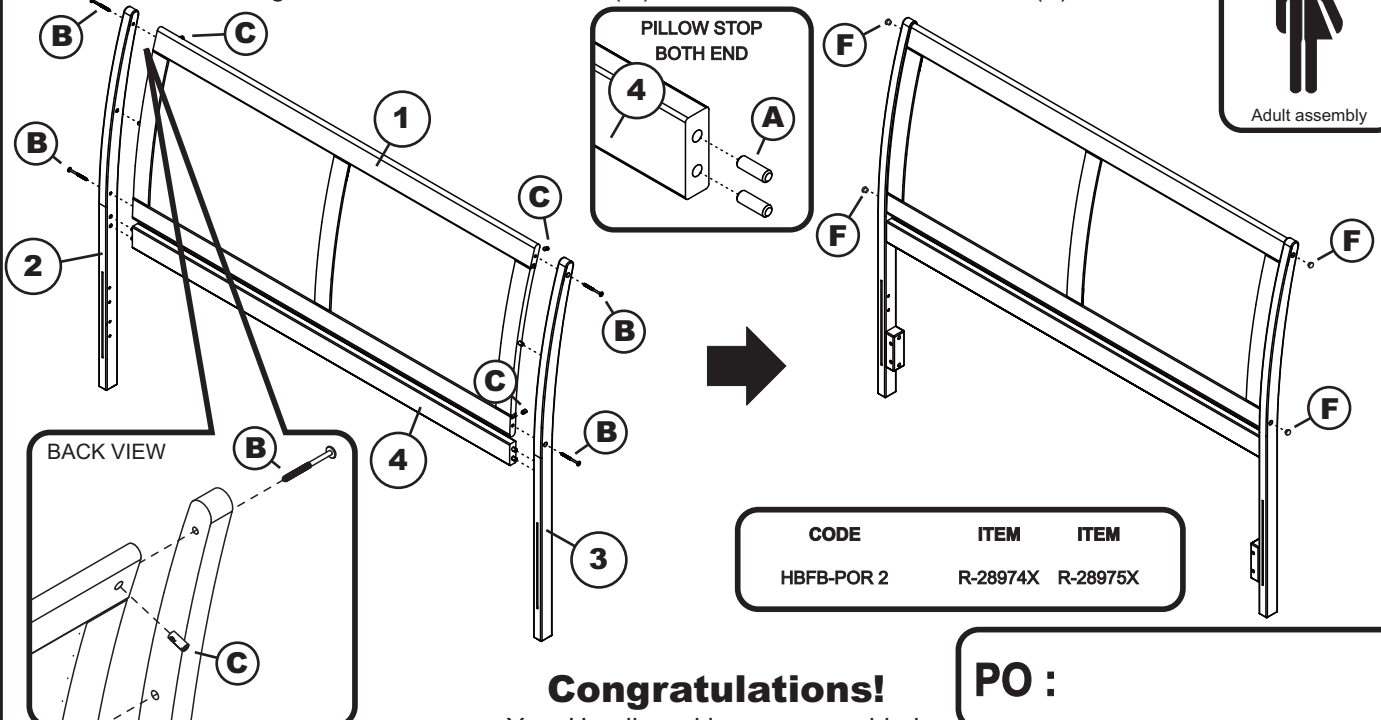
Step 1

Remove packing stick (8) from headboard panel (1) footboard panel (5) and **DISCARD**.



Step 2

Insert wooden dowels (A) to the locator holes on pillow stop (4). Attach the legs (2) and (3) to the headboard panel (1) and pillow stop (4). Using JCB (B) and barrel nut (C). Tighten with the Allen wrench (G). Cover holes with wood button (F).



CODE	ITEM	ITEM
HBFB-POR 2	R-28974X	R-28975X

Congratulations!

Your Headboard is now assembled.

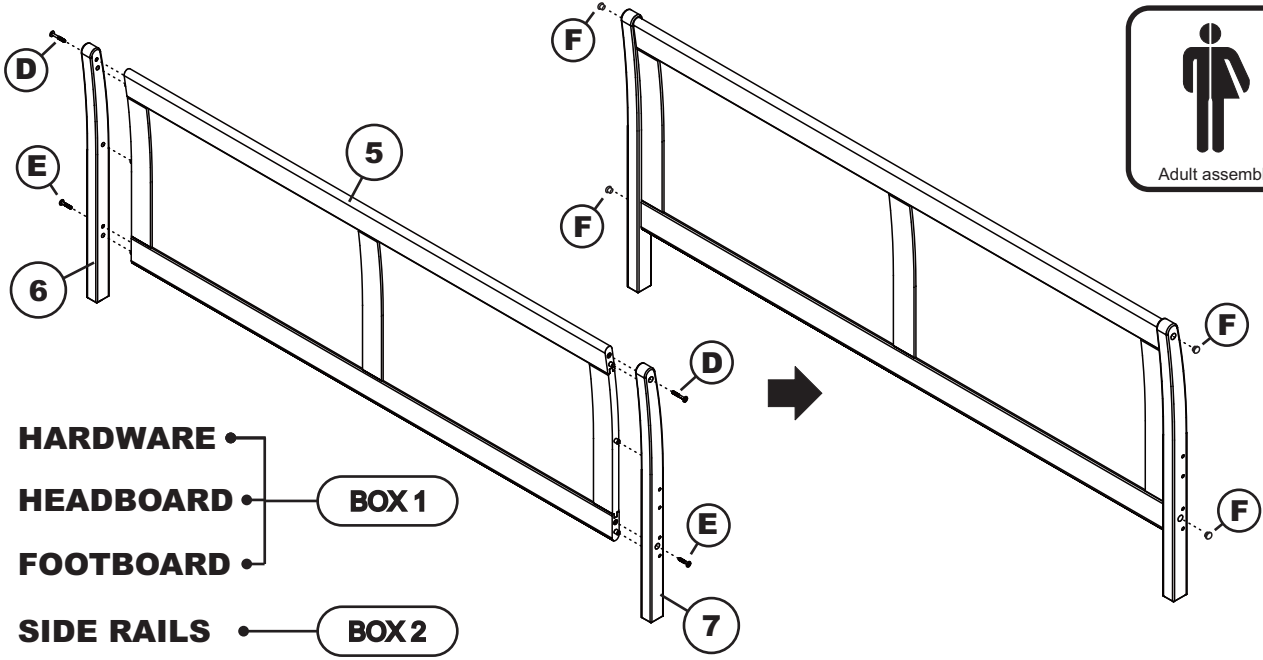
PO :

To ensure lasting safety, we recommend that you periodically check that all screws are tight and all parts are secure.

QUEEN > KING

Step 4

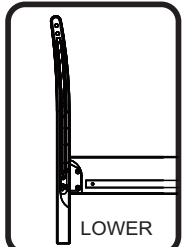
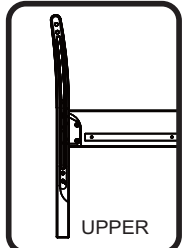
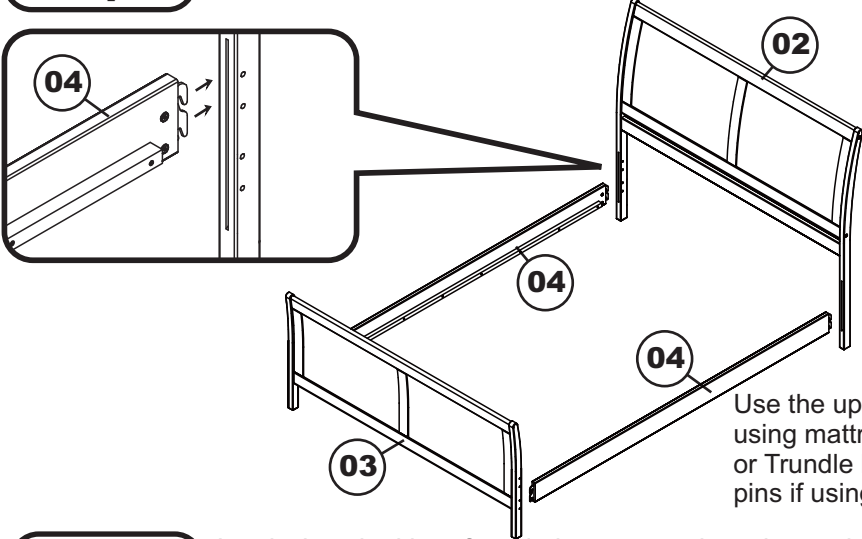
Attach the FB legs (6) and (7) to footboard panel (5), using JCB (D)(E). Tighten with the Allen wrench (G). Cover holes with wood button (F).



- 01 HARDWARE
- 02 HEADBOARD — BOX 1
- 03 FOOTBOARD
- 04 SIDE RAILS — BOX 2

Step 1

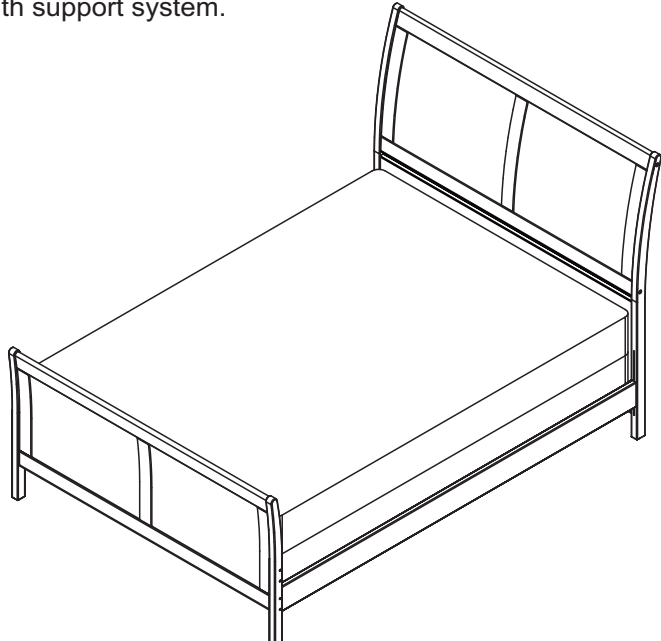
Attach the side rails (04) to the headboard (02) and footboard (03) using the bed hook as shown below.



Use the upper set of pins when using mattress only, storage drawers or Trundle bed. Use the lower set of pins if using foundation and mattress.

Step 2

Lastly, lay slat kit or foundation support board onto the bed. For assembly, follow the instructions included with support system.



QUEEN

ASSEMBLY INSTRUCTIONS

Before assembling your bed frame, please read through these instructions carefully and familiarize yourself with the different parts.



ATTENTION! If you receive a damaged or defective item, please contact afifurnishings at customerservice@afifurnishings.com or 1-800-955-3726

PARTS LIST

- ① **SIDE RAILS** **2 PCS**
- ② **SLAT KIT** **2 SET**
- ③ **SUPPORT RAIL** **2 PCS**
- ④ **SUPPORT LEGS** **4 PCS**

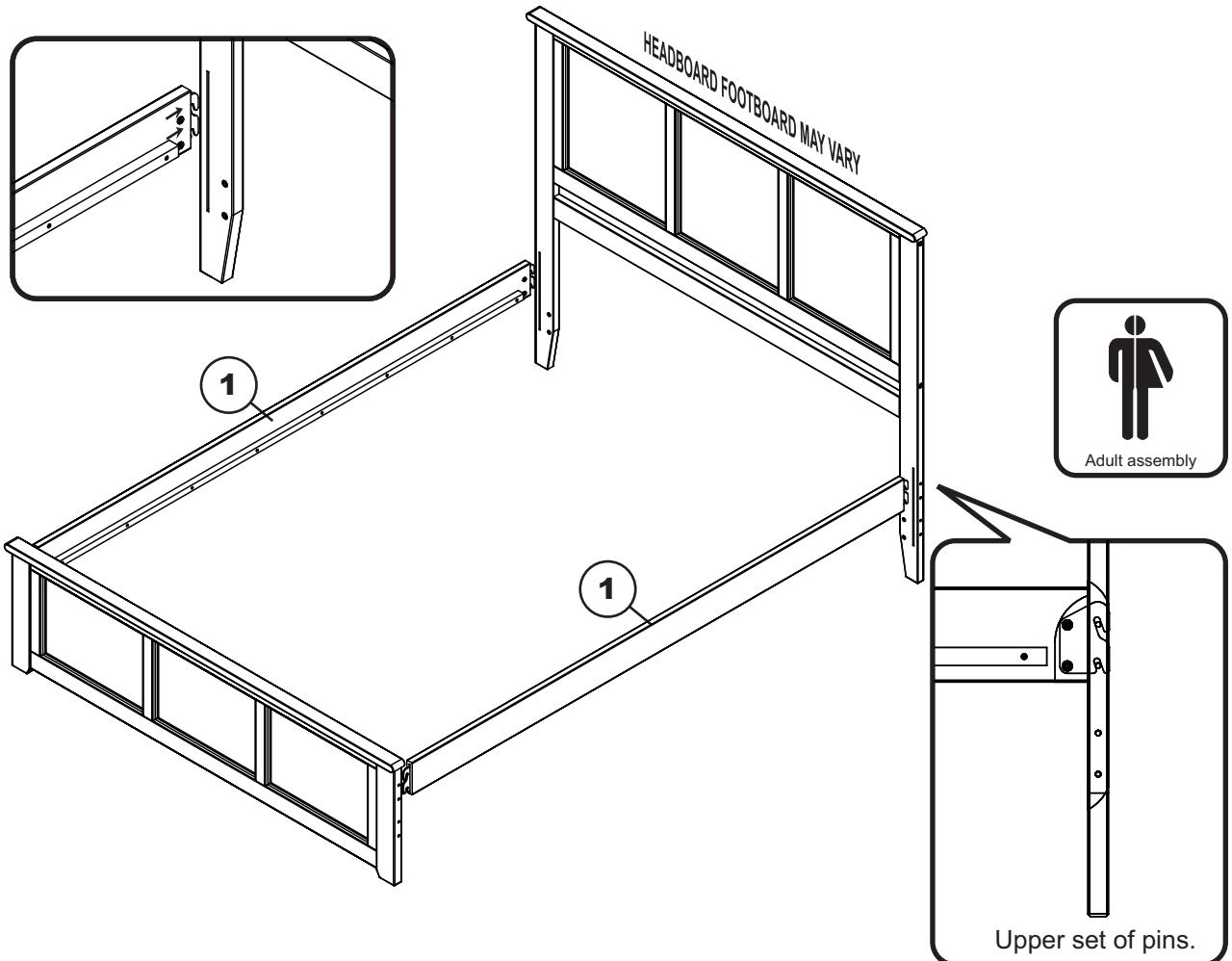
HARDWARE

- Ⓐ JCB M6 X 30mm (1 1/8") - 6 pcs
Spare - 1 pc
- Ⓑ Cap Nut - 6 pcs
- Ⓒ JCB M8 X 40mm (1 5/8") - 4 pcs
Spare - 1 pc
- Ⓓ Wood screw(1 1/4") - 12 pcs
Spare - 1 pc
- Ⓔ Allen wrench M4 - 1pc
Spare - 1pc
- Ⓕ Allen wrench M5 - 1pc

NOTE: WE INCLUDE SPARE HARDWARE IN CASE DAMAGE OCCURS DURING ASSEMBLY.

Step 1

Attach side rails (1) to the headboard and footboard. For assembly, follow the assembly instructions included with your headboard and footboard.



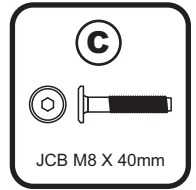
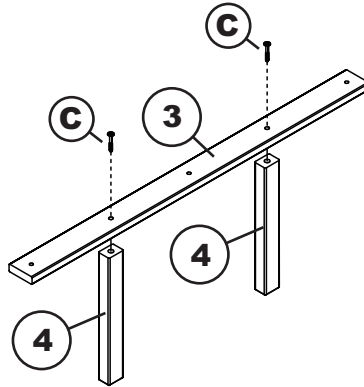
PO:

CODE **ITEM**
FR-UBN2-UBM R-26544X

QUEEN

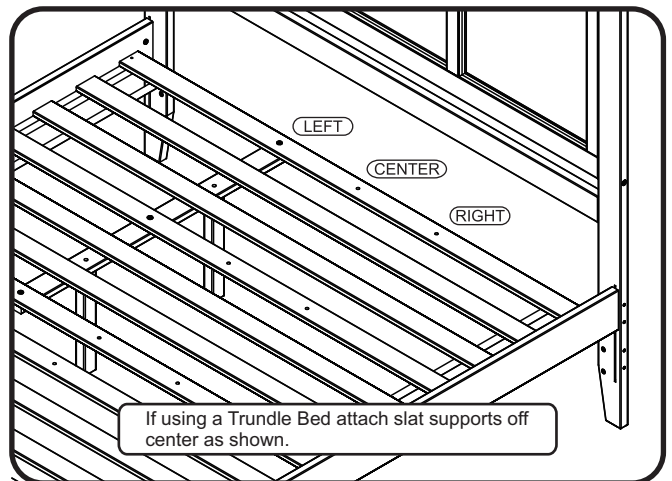
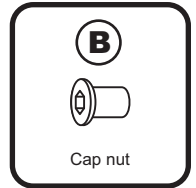
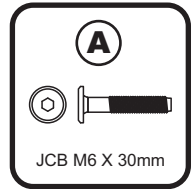
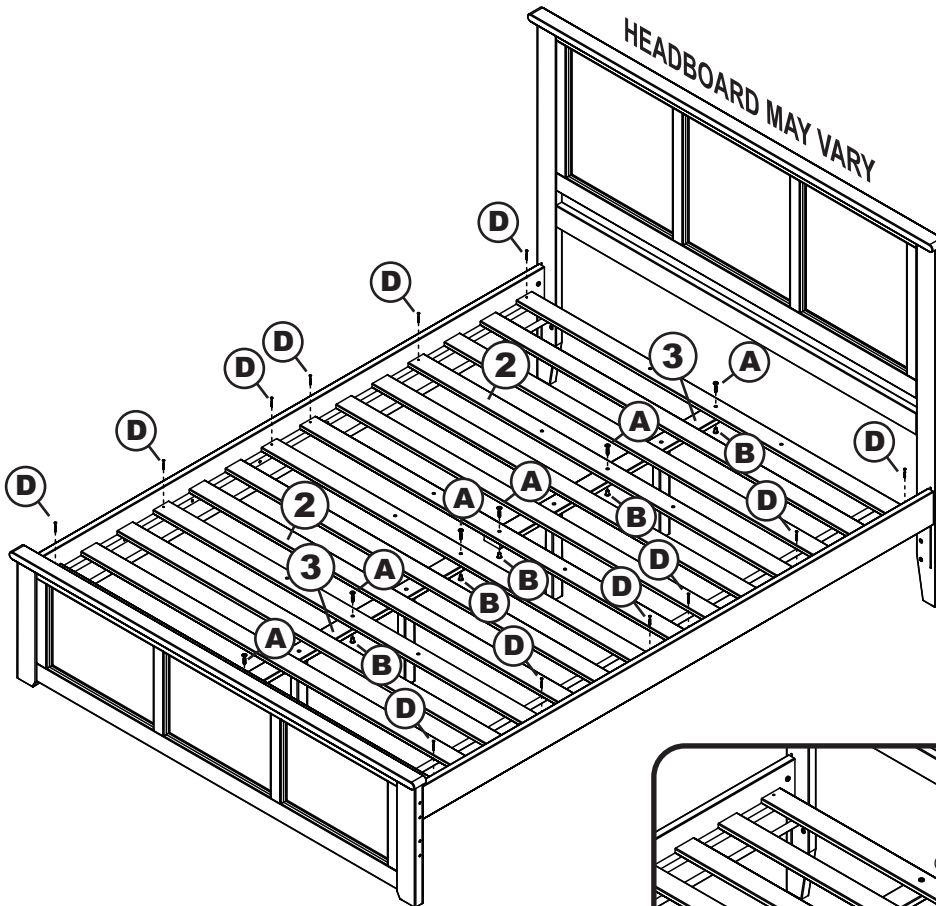
Step 3

Attach support legs (4) to support rail (3) as shown below. Using JCB M8 (C) tighten with Allen wrench M5 (F). Repeat the other.



Step 4

Attach support rail (3) to the slat kit (2) as shown below. Using JCB M6 X 30mm (A) and cap nut (B). Tighten with Allen wrench M4 (E). Using wood screw (D) tighten with Phillips head screwdriver. (Customer supplied)



Congratulations!

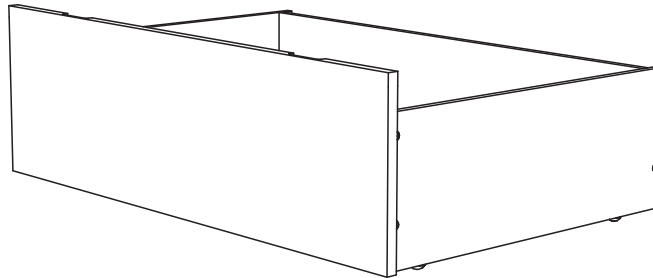
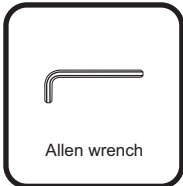
Your bed is now ready for use.

We recommend that you periodically recheck that all screws are tight to ensure lasting safety.

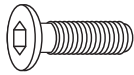
ASSEMBLY INSTRUCTIONS

Before assembling your bed drawer, please read through these instructions carefully, familiarize yourself with the different parts.

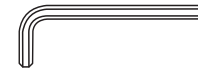
ATTENTION! If you receive a damaged or defective item, please contact afifurnishings at customerservice@afifurnishings.com or 1-800-955-3726



NOTE : WE INCLUDE SPARE HARDWARE IN CASE DAMAGE OCCURS DURING ASSEMBLY.



HARDWARE

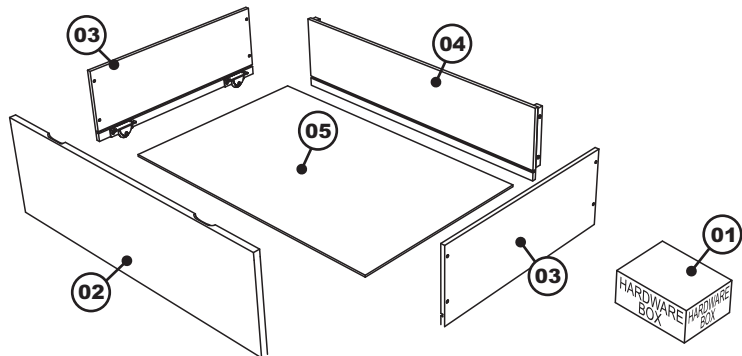


A JCB M6 X 1 1/8" (30mm) - 16 pcs
Spare - 2 pcs

B Allen wrench - 1 pc
Spare - 1 pc

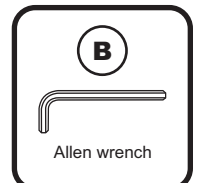
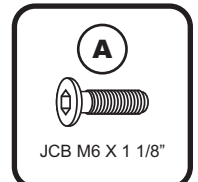
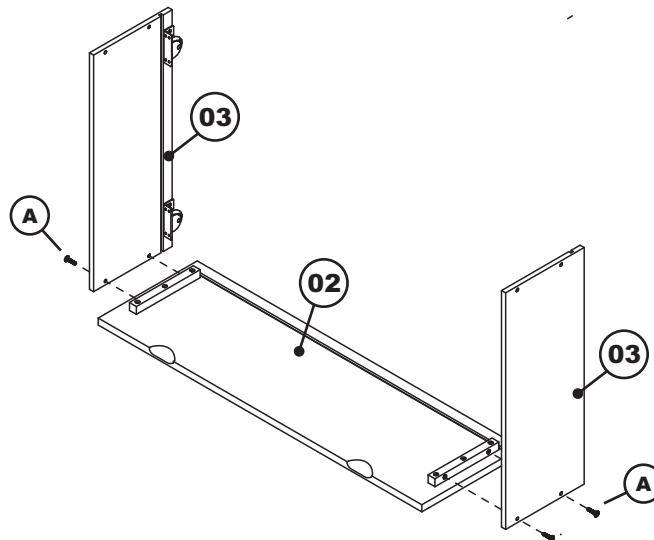
PARTS LIST

- 01** HARDWARE 1 BOX
- 02** DRAWER FACE 2 PCS
- 03** DRAWER SIDE 4 PCS
- 04** DRAWER BACK 2 PCS
- 05** DRAWER BOTTOM 2 PCS



Step 1

Lay the drawer face (02) on smooth, flat surface so the groove is facing upwards. Fit the drawer side (03) to drawer face (02), Use JCB M6 X 1 1/8" (A), align groove inside panel with groove in drawer face. Tighten with Allen wrench (B).



PO :

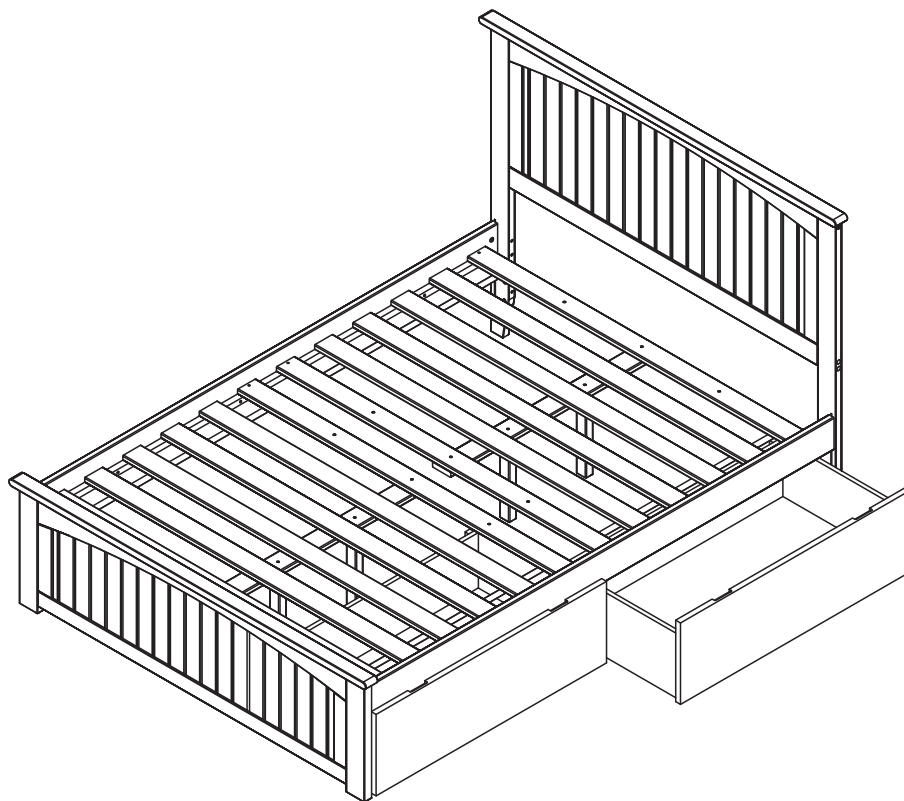
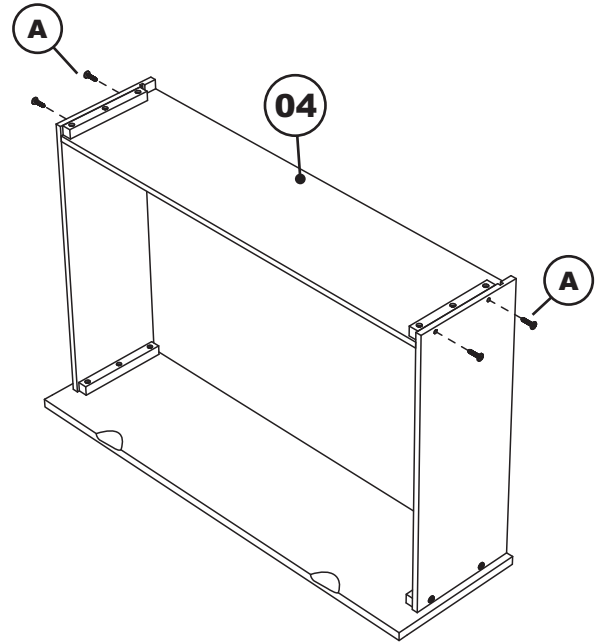
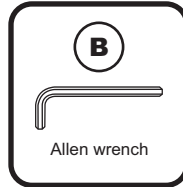
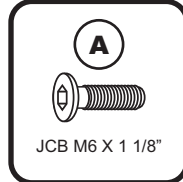
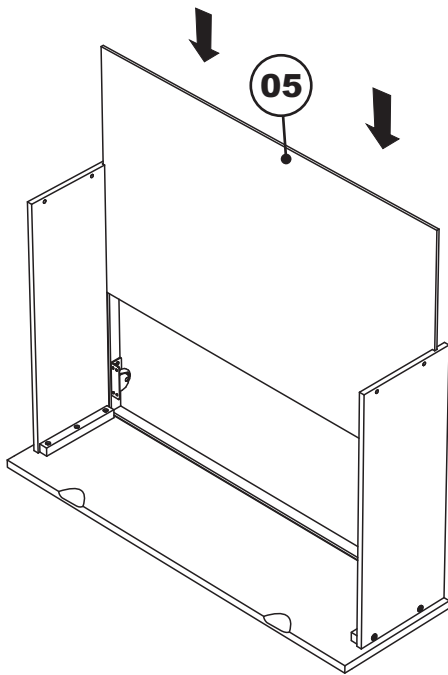
CODE	ITEM	ITEM
ST-DR-UBN	E-6683X	E-6684X

Step 2

Guide the drawer bottom (05) in carefully so that it won't jump out of its grooves. Be sure it fits fully into its groove at the bottom (in the drawer face) before fitting the drawer back.

Step 3

Attach drawer back (04) to bed drawer assembly as shown. Use JCB M6 X 1 1/8" (A). Tighten with Allen wrench (B).



Congratulations!

Your Urban lifestyle bed drawers are now ready for use.
We recommend that you recheck that all screws are tight