

ASSEMBLY INSTRUCTIONS

Before assembling your headboard, please read through these instructions carefully and familiarize yourself with the different parts.

ATTENTION! If you receive a damaged or defective item, please contact afifurnishings at customerservice@afifurnishings.com or 1-800-955-3726



PARTS LIST

- ① HEADBOARD PANEL 1 PC
- ② LEFT HB LEG 1 PC
- ③ RIGHT HB LEG 1 PC
- ④ PILLOW STOP 1 PC
- ⑤ FOOTBOARD PANEL 1 PC
- ⑥ LEFT FB LEG 1 PC
- ⑦ RIGHT FB LEG 1 PC
- ⑧ PACKING STICK 2 PCS

Instructions apply for bed sizes
QUEEN > KING

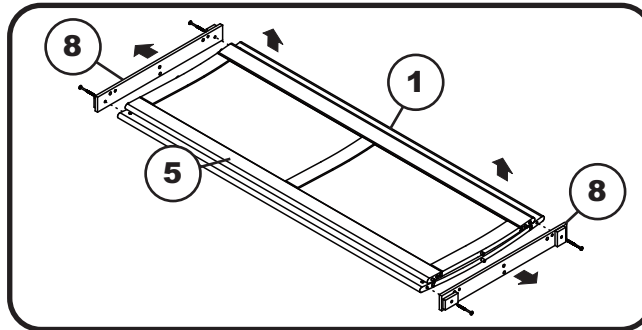
HARDWARE

- ① Wooden dowel - 4 pcs
Spare - 1 pc
- ② JCB M6 X 70mm (2 3/4") - 4 pcs
Spare - 1 pc
- ③ Barrel nut - 4 pcs
Spare - 1 pc
- ④ JCB M6 X 45mm (1 3/4") - 2 pcs
Spare - 1 pc
- ⑤ JCB M6 X 30mm (1 1/4") - 2 pcs
Spare - 1 pc
- ⑥ Wood Button - 8 pcs
Spare - 1 pc
- ⑦ Allen wrench - 1pc
Spare - 1pc

NOTE: WE INCLUDE SPARE HARDWARE IN CASE DAMAGE OCCURS DURING ASSEMBLY.

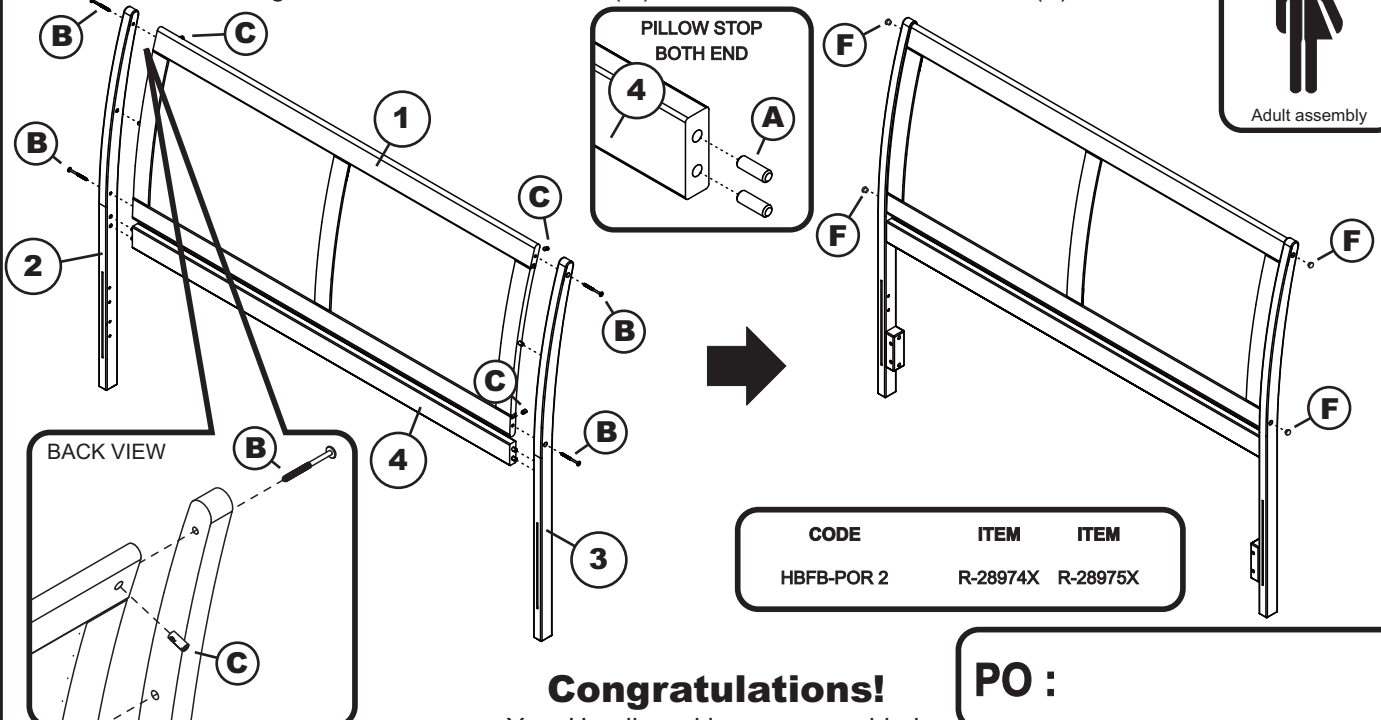
Step 1

Remove packing stick (8) from headboard panel (1) footboard panel (5) and **DISCARD**.



Step 2

Insert wooden dowels (A) to the locator holes on pillow stop (4). Attach the legs (2) and (3) to the headboard panel (1) and pillow stop (4). Using JCB (B) and barrel nut (C). Tighten with the Allen wrench (G). Cover holes with wood button (F).



CODE	ITEM	ITEM
HBFB-POR 2	R-28974X	R-28975X

Congratulations!

Your Headboard is now assembled.

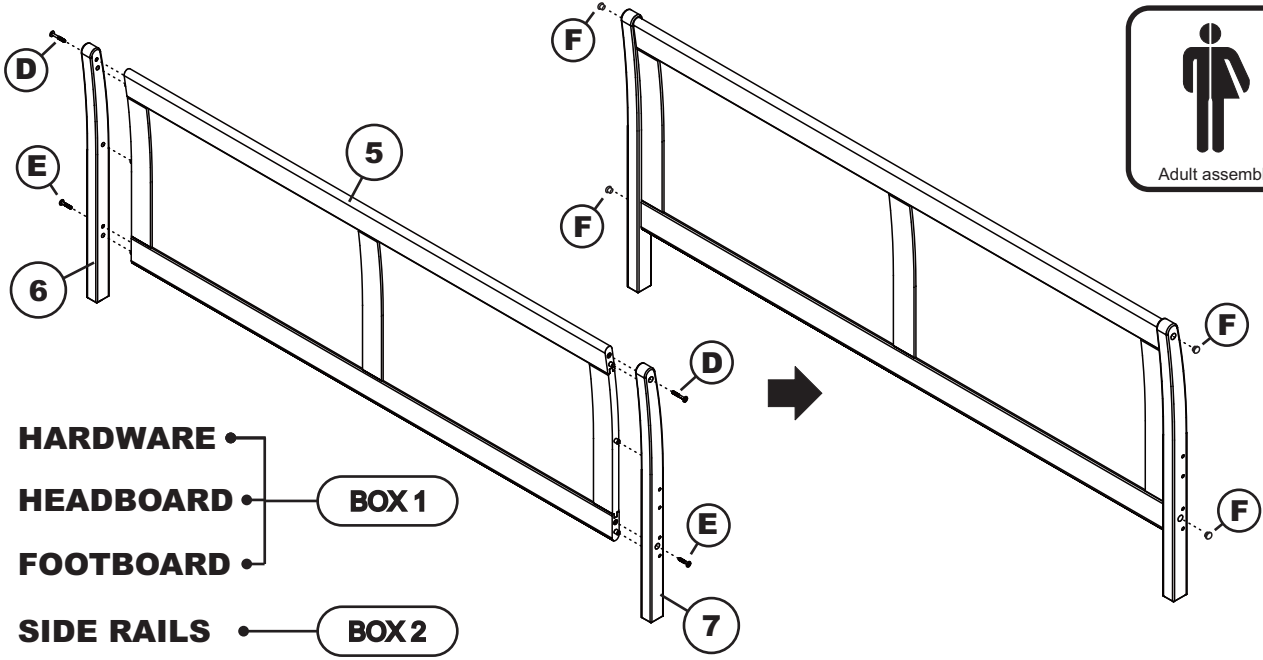
PO :

To ensure lasting safety, we recommend that you periodically check that all screws are tight and all parts are secure.

QUEEN > KING

Step 4

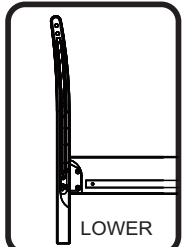
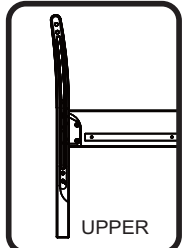
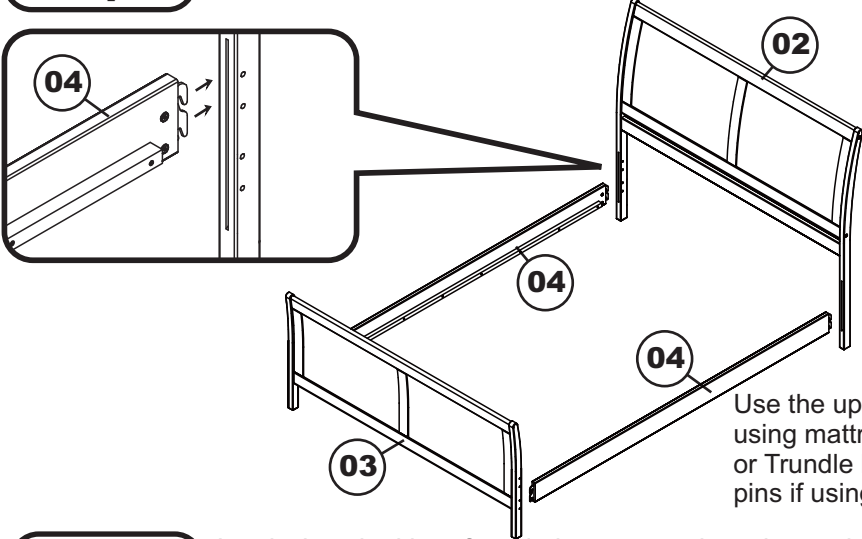
Attach the FB legs (6) and (7) to footboard panel (5), using JCB (D)(E). Tighten with the Allen wrench (G). Cover holes with wood button (F).



- 01 HARDWARE
- 02 HEADBOARD — BOX 1
- 03 FOOTBOARD
- 04 SIDE RAILS — BOX 2

Step 1

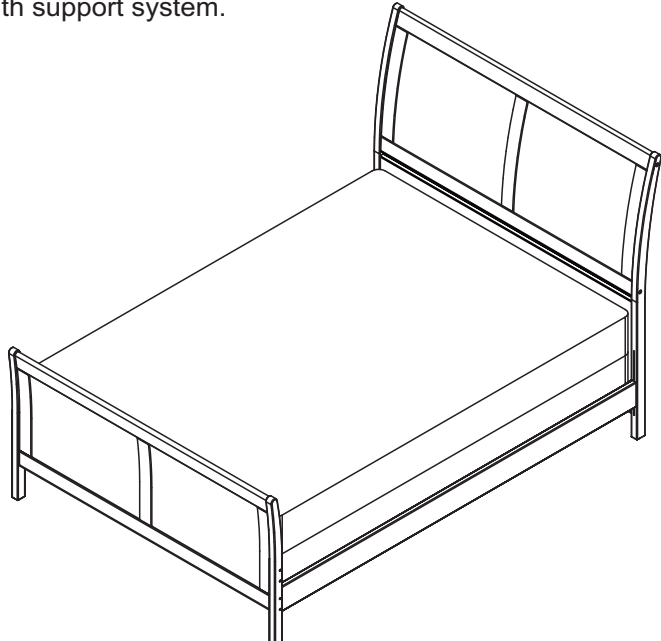
Attach the side rails (04) to the headboard (02) and footboard (03) using the bed hook as shown below.



Use the upper set of pins when using mattress only, storage drawers or Trundle bed. Use the lower set of pins if using foundation and mattress.

Step 2

Lastly, lay slat kit or foundation support board onto the bed. For assembly, follow the instructions included with support system.



QUEEN

ASSEMBLY INSTRUCTIONS

Before assembling your bed frame, please read through these instructions carefully and familiarize yourself with the different parts.




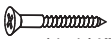




ATTENTION! If you receive a damaged or defective item, please contact afifurnishings at customerservice@afifurnishings.com or 1-800-955-3726

PARTS LIST

- ① **SIDE RAILS** **2 PCS**
- ② **SLAT KIT** **2 SET**
- ③ **SUPPORT RAIL** **2 PCS**
- ④ **SUPPORT LEGS** **4 PCS**

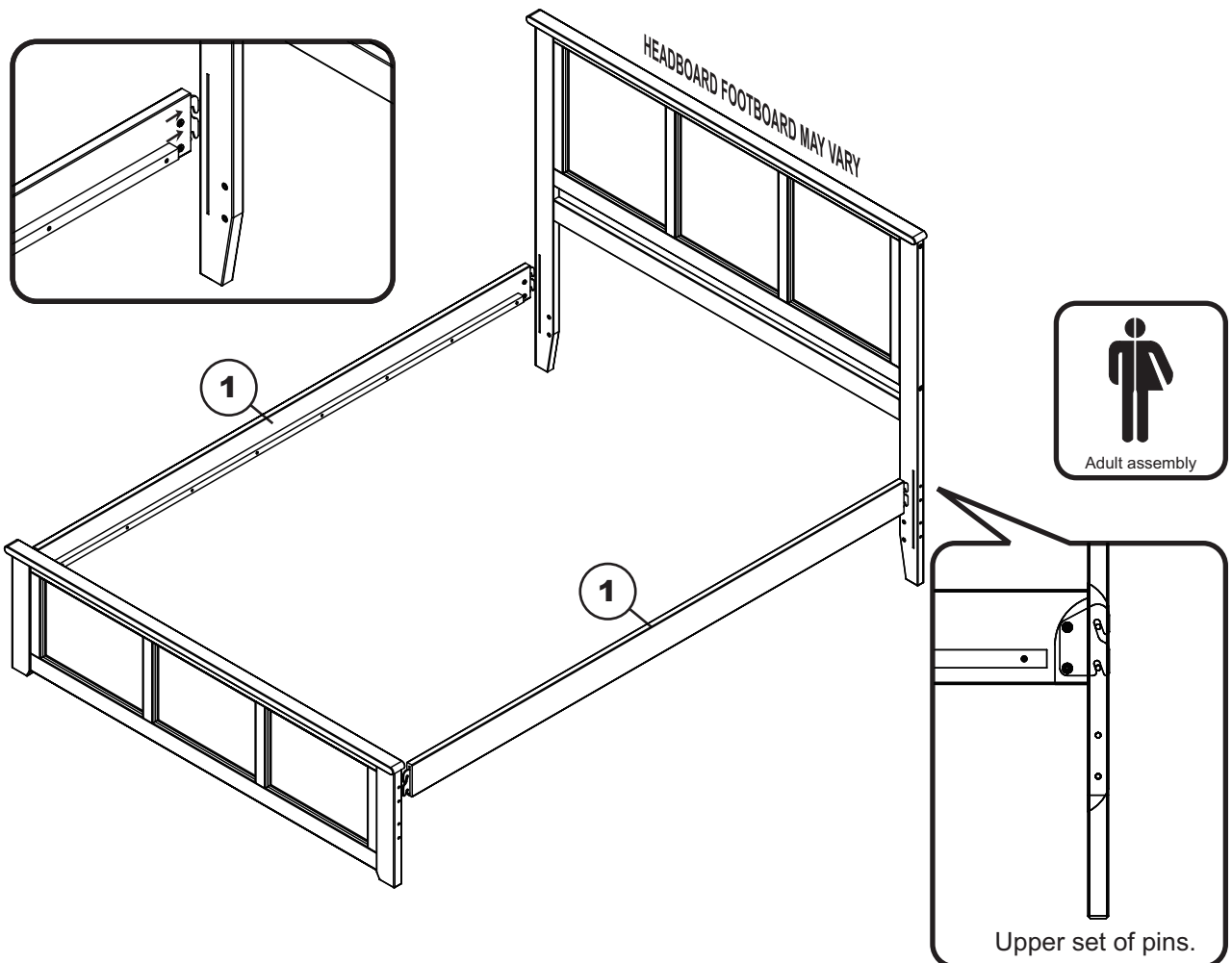
HARDWARE

- A**  JCB M6 X 30mm (1 1/8") - 6 pcs
Spare - 1 pc
- B**  Cap Nut - 6 pcs
- C**  JCB M8 X 40mm (1 5/8") - 4 pcs
Spare - 1 pc
- D**  Wood screw(1 1/4") - 12 pcs
Spare - 1 pc
- E**  Allen wrench M4 - 1pc
Spare - 1pc
- F**  Allen wrench M5 - 1pc

NOTE: WE INCLUDE SPARE HARDWARE IN CASE DAMAGE OCCURS DURING ASSEMBLY.

Step 1

Attach side rails (1) to the headboard and footboard. For assembly, follow the assembly instructions included with your headboard and footboard.



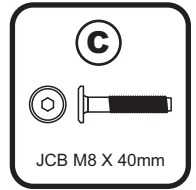
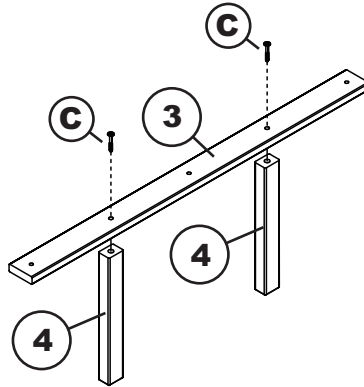
PO:

CODE **ITEM**
FR-UBN2-UBM R-26544X

QUEEN

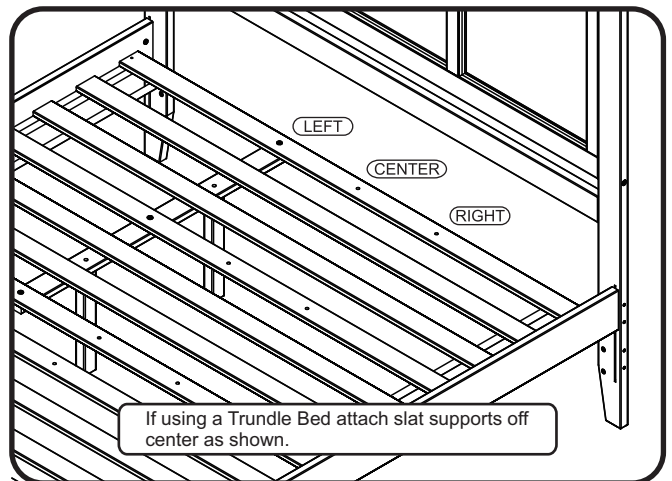
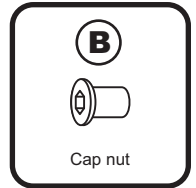
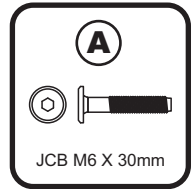
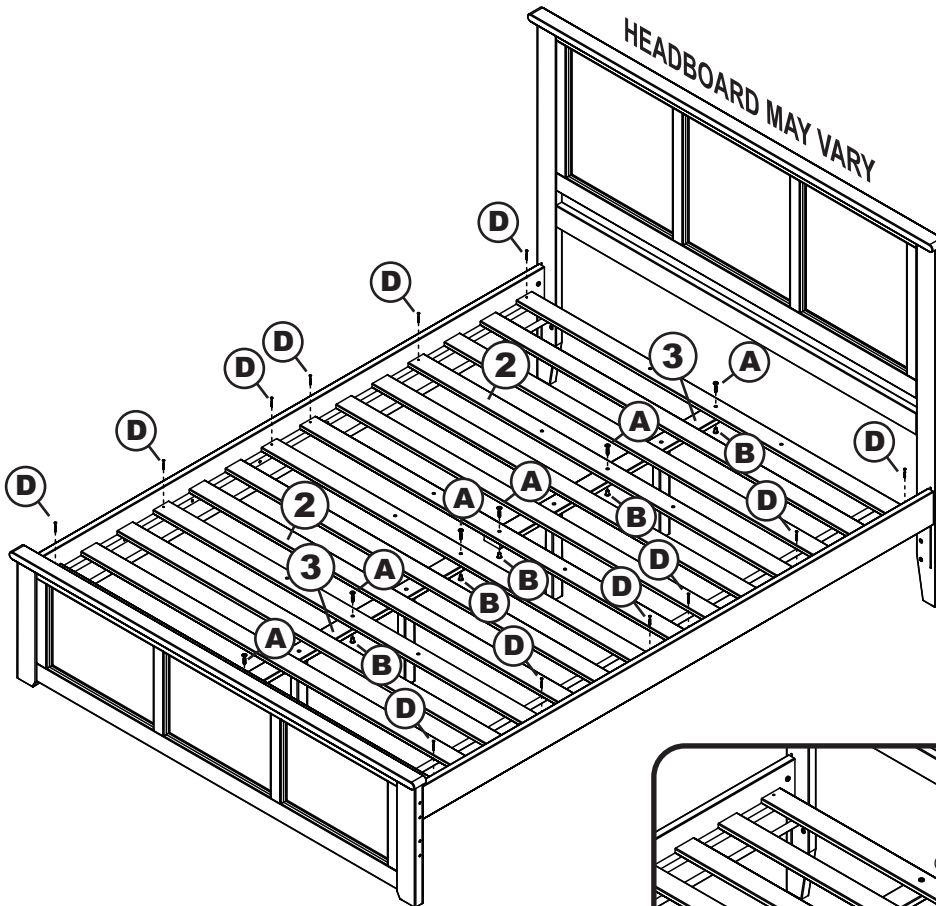
Step 3

Attach support legs (4) to support rail (3) as shown below. Using JCB M8 (C) tighten with Allen wrench M5 (F). Repeat the other.



Step 4

Attach support rail (3) to the slat kit (2) as shown below. Using JCB M6 X 30mm (A) and cap nut (B). Tighten with Allen wrench M4 (E). Using wood screw (D) tighten with Phillips head screwdriver. (Customer supplied)



Congratulations!

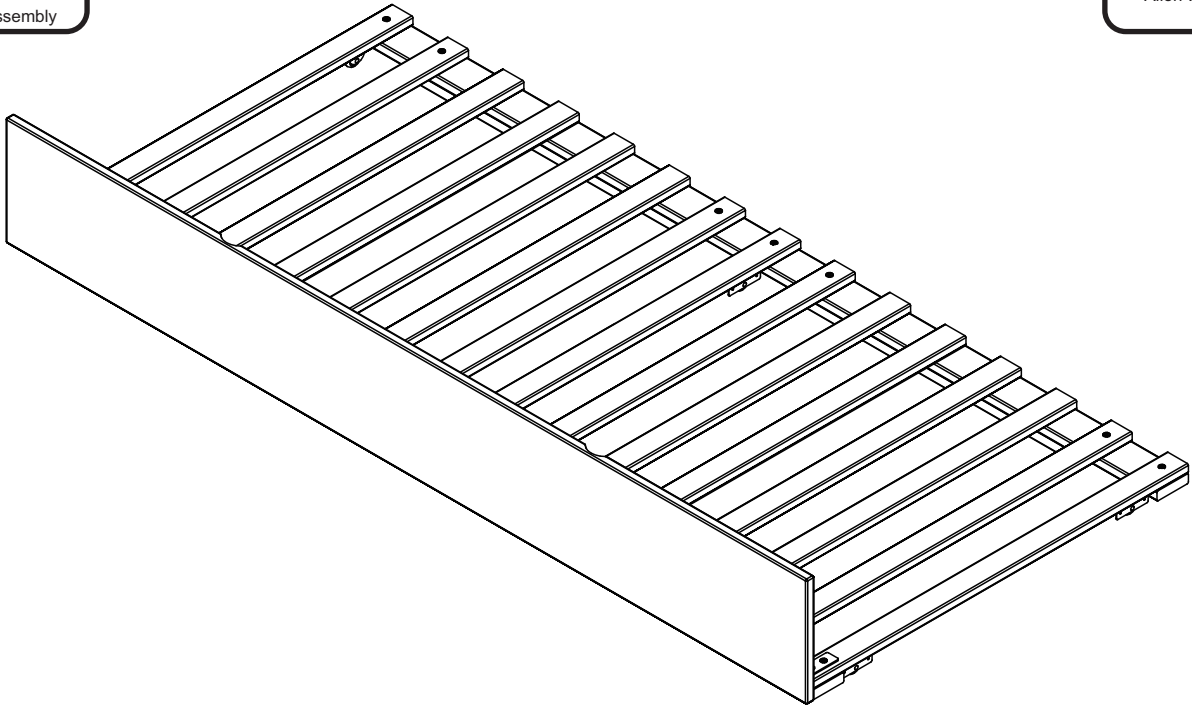
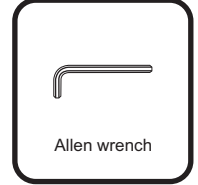
Your bed is now ready for use.

We recommend that you periodically recheck that all screws are tight to ensure lasting safety.

ASSEMBLY INSTRUCTIONS TWIN XL

Before assembling your Trundle bed, please read through these instructions carefully. Familiarize yourself with the different parts.

ATTENTION! If you receive a damaged or defective item, please contact afifurnishings at customerservice@afifurnishings.com or 1-800-955-3726

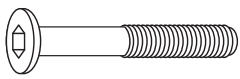


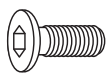
CODE	ITEM
ST-TD-UBN	E-6711X

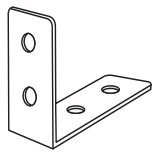
PO :

HARDWARE

NOTE: WE INCLUDE SPARE HARDWARE IN CASE DAMAGE OCCURS DURING ASSEMBLY.

A  JCB M6 X 1 5/8" (40mm) - 17 pcs
Spare - 1 pc

B  JCB M6 X 5/8" (15mm) - 6 pcs
Spare - 1 pc
Fix L bracket to front panel

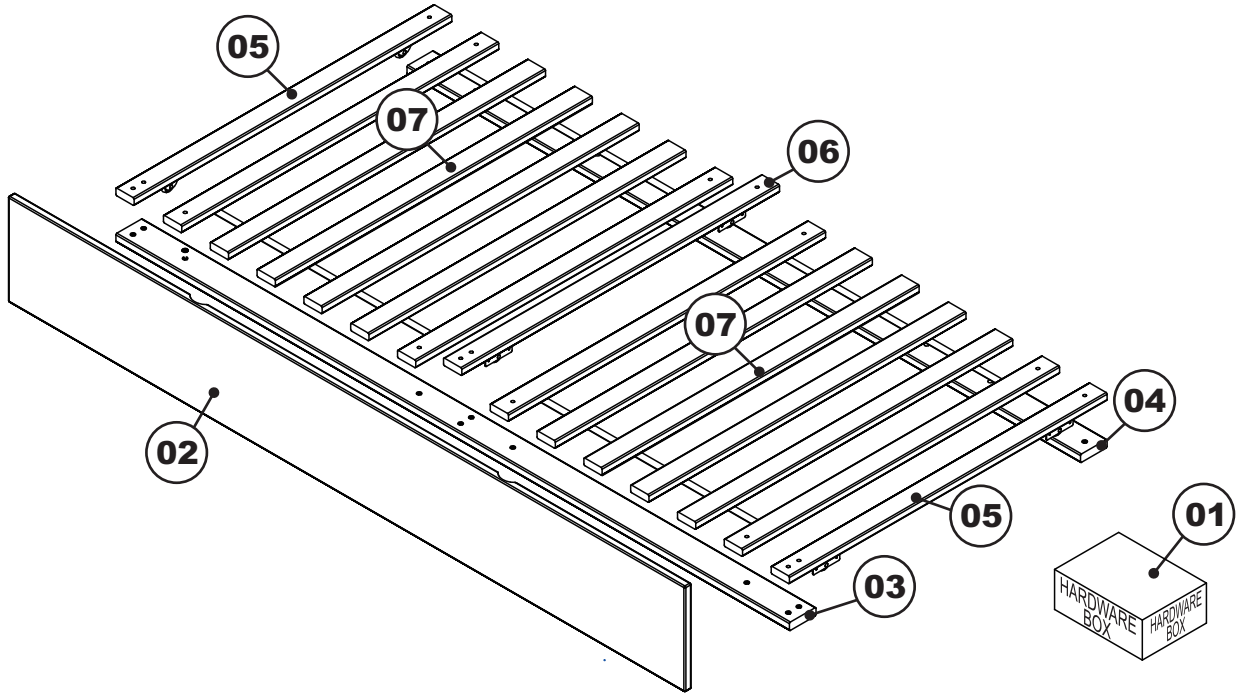
C  L Bracket - 3 pcs

D  Allen wrench - 1 pc
Spare - 1 pc

TWIN XL

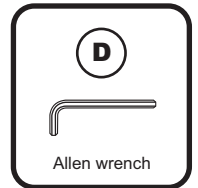
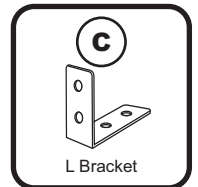
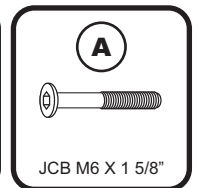
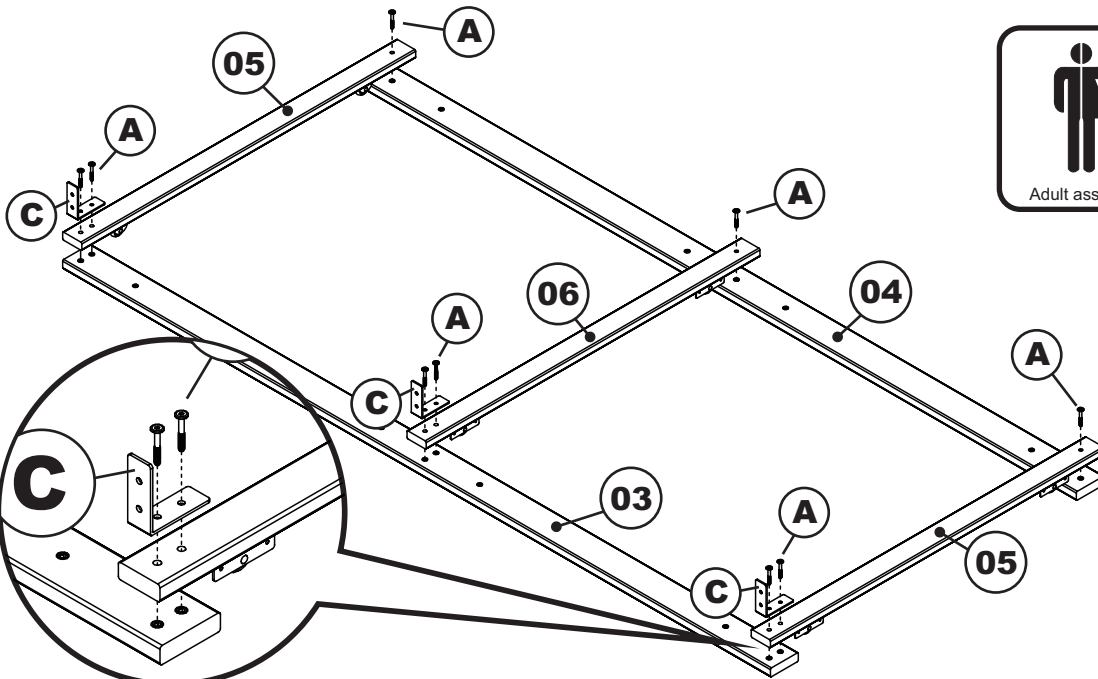
PARTS LIST

01	HARDWARE	1 BOX	05	SIDE CROSS RAIL	2 PCS
02	FRONT PANEL	1 PC	06	CENTER CROSS RAIL	1 PC
03	FRONT RAIL	1 PC	07	SLAT KIT	2 SET
04	BACK RAIL	1 PC			



Step 1

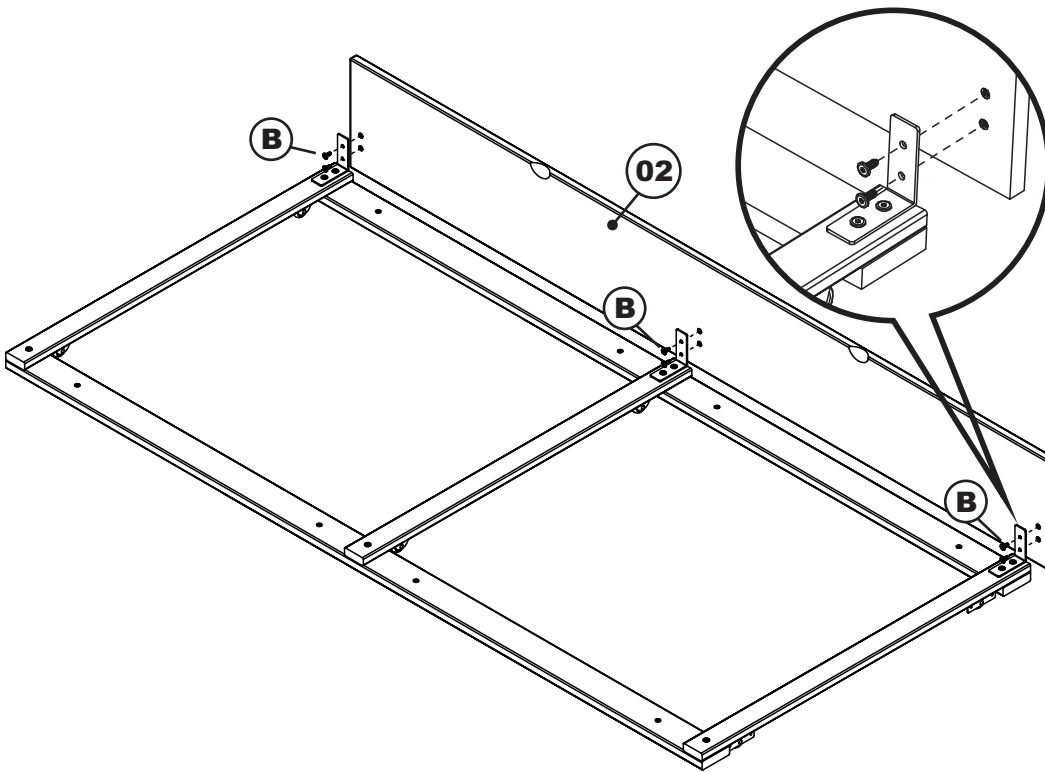
Attach the side cross rails (05) and center cross rail (06) to the front and back rail (03)(04), using L bracket (C), JCB M6 X 1 5/8" (A). Tighten with the Allen wrench (D).



TWIN XL

Step 2

Attach the front panel (02) to the front rail as shown, using JCB M6 X 5/8" (B). Tighten with the Allen wrench (D).



Adult assembly

B



JCB M6 X 5/8"

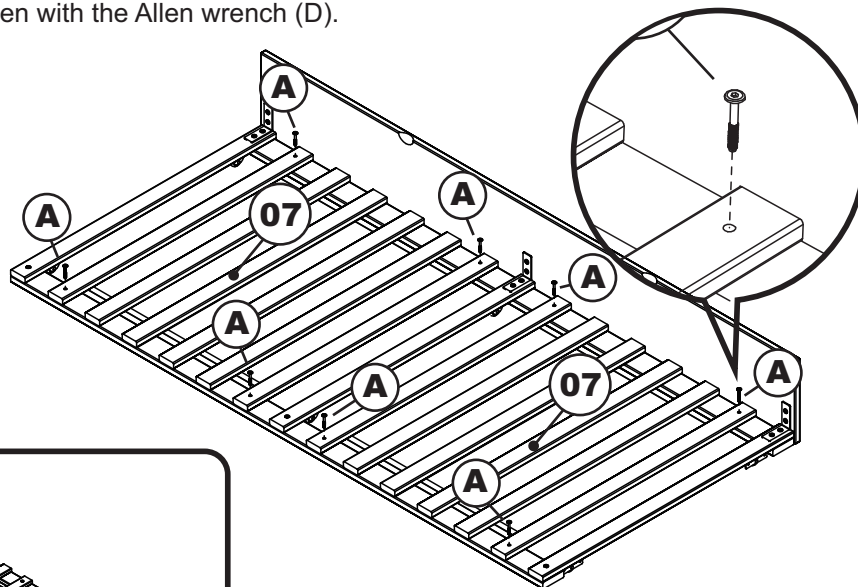
D



Allen wrench

Step 3

Lay the slat kit (07) onto the rail assembly as shown, using JCB M6 X 1 5/8" (A). Tighten with the Allen wrench (D).



Adult assembly

A

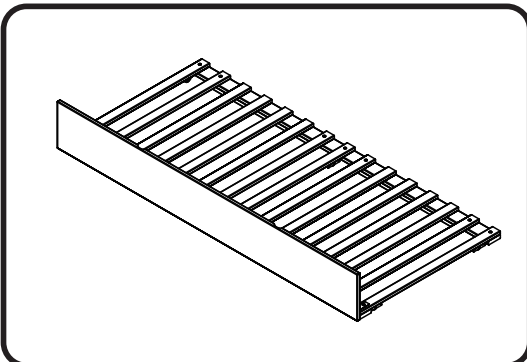


JCB M6 X 1 5/8"

D



Allen wrench



Congratulations!

Your Trundle bed is now ready for use.

We recommend that you periodically check that all screws are tight and all parts are secure to ensure lasting safety.