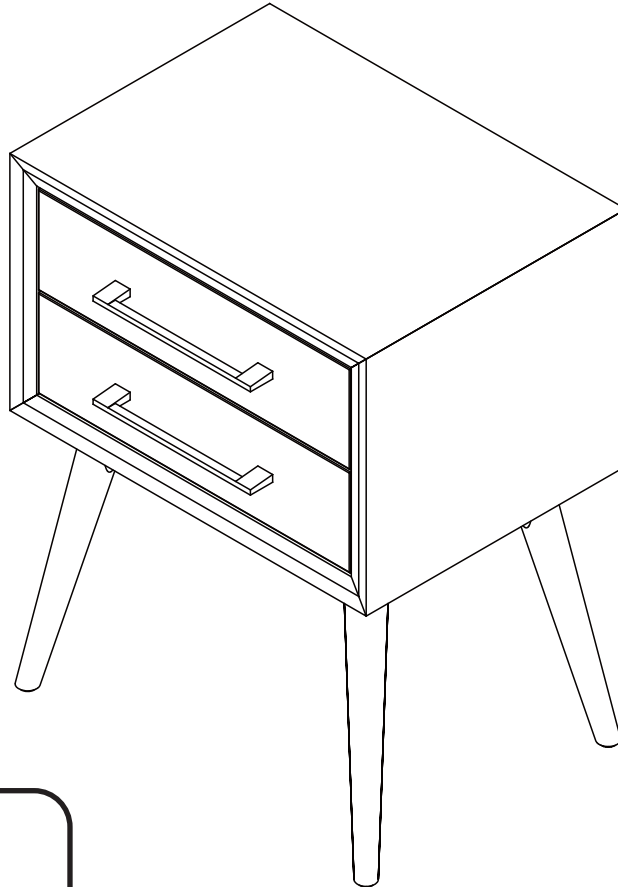


ASSEMBLY INSTRUCTIONS

Before assembling your night stand, please read through these instructions carefully and familiarize yourself with the different parts.

ATTENTION! If you receive a damaged or defective item, please contact afifurnishings at customerservice@afifurnishings.com or 1-800-955-3726



HARDWARE



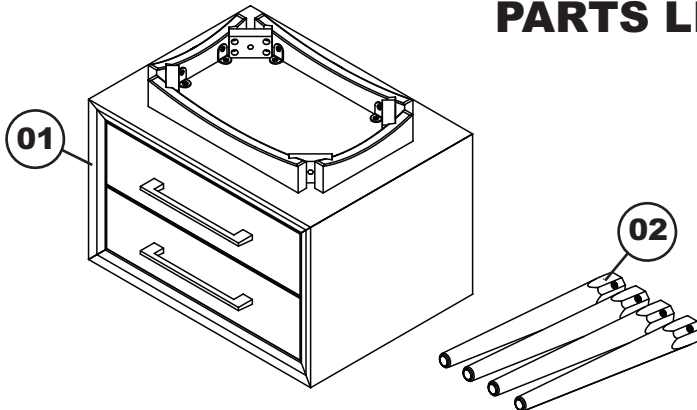
A JCB M8 X 50mm - 4 pcs
Spare - 1 pc



B Allen wrench M5 - 1 pc

NOTE: WE INCLUDE SPARE HARDWARE IN CASE THE JCB ARE DAMAGED DURING ASSEMBLY.

PARTS LIST



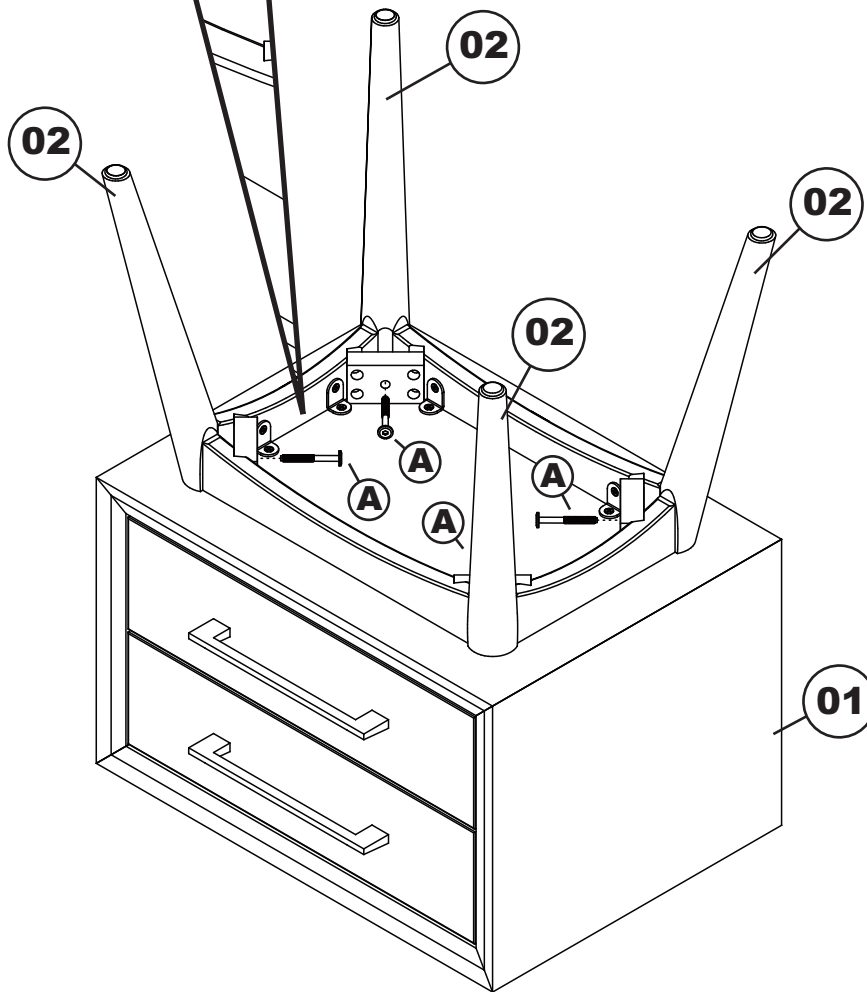
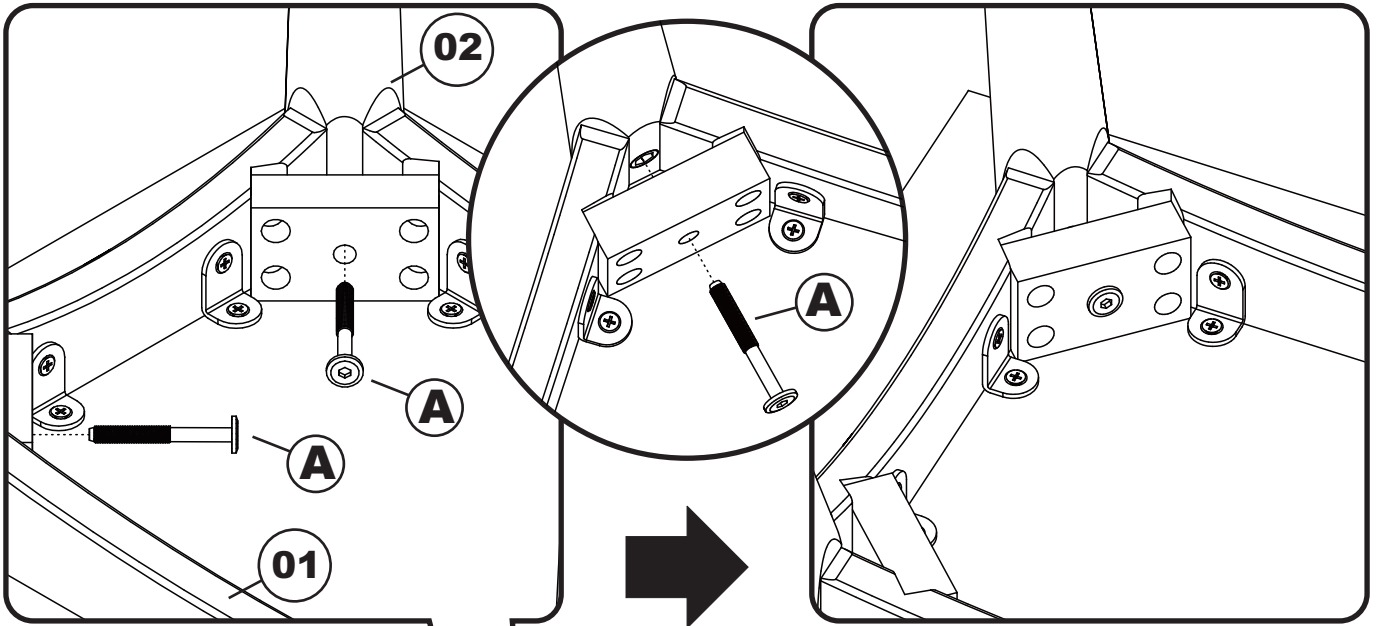
01	NIGHT STAND	1 SET
02	LEG	4 PCS

PO:

CODE	ITEM
NST-PDA	H-8104X

STEP 1

Attach the legs (02) to the night stand (01) as shown below using JCB (A) tighten with allen wrench (B).



Congratulations!

Your night stand are now ready for use.
To ensure lasting safety, we recommend that you periodically check that all screws are tight and all parts are secure.