

QUEEN, KING

ASSEMBLY INSTRUCTIONS

Before assembling your bed frame, please read through these instructions carefully and familiarize yourself with the different parts.



ATTENTION! If you receive a damaged or defective item, please contact afifurnishings at customerservice@afifurnishings.com or 1-800-955-3726

PARTS LIST

- | | | |
|---|------------------------|--------------|
| ① | LEFT LEG | 2 PCS |
| ② | RIGHT LEG | 2 PCS |
| ③ | TOP/BOTTOM RAIL | 4 PCS |
| ④ | FB PANEL | 2 PCS |
| ⑤ | SIDE RAIL | 2 PCS |
| ⑥ | SLAT KIT | 2 SET |
| ⑦ | SUPPORT RAIL | 2 PCS |
| ⑧ | SUPPORT LEG | 4 PCS |

HARDWARE

- | | | | |
|---|--|---|---|
| ① | A JCB M6 X 80mm (3 1/8") - 16 pcs
Spare - 1 pc | ② | F Cap nut - 6 pcs |
| ③ | B Barrel nut - 16 pcs | ③ | H Split washer - 4 pcs
Spare - 1 pc |
| ④ | C Wood screw (1 1/4") - 12 pcs
Spare - 1 pc | ④ | G JCB M8 X 40mm - 4 pcs |
| ⑤ | D Wood button - 16 pcs
Spare - 1 pc | ⑤ | I Flat washer - 4 pcs
Spare - 1 pc |
| ⑥ | E JCB M6 X 30mm (1 1/4") - 6 pcs
Spare - 1 pc | ⑥ | J Allen wrench M5 - 1pc |
| | | ⑦ | K Allen wrench M4 - 1pc
Spare - 1pc |

NOTE: WE INCLUDE SPARE HARDWARE IN CASE DAMAGE OCCURS DURING ASSEMBLY.

Step 1

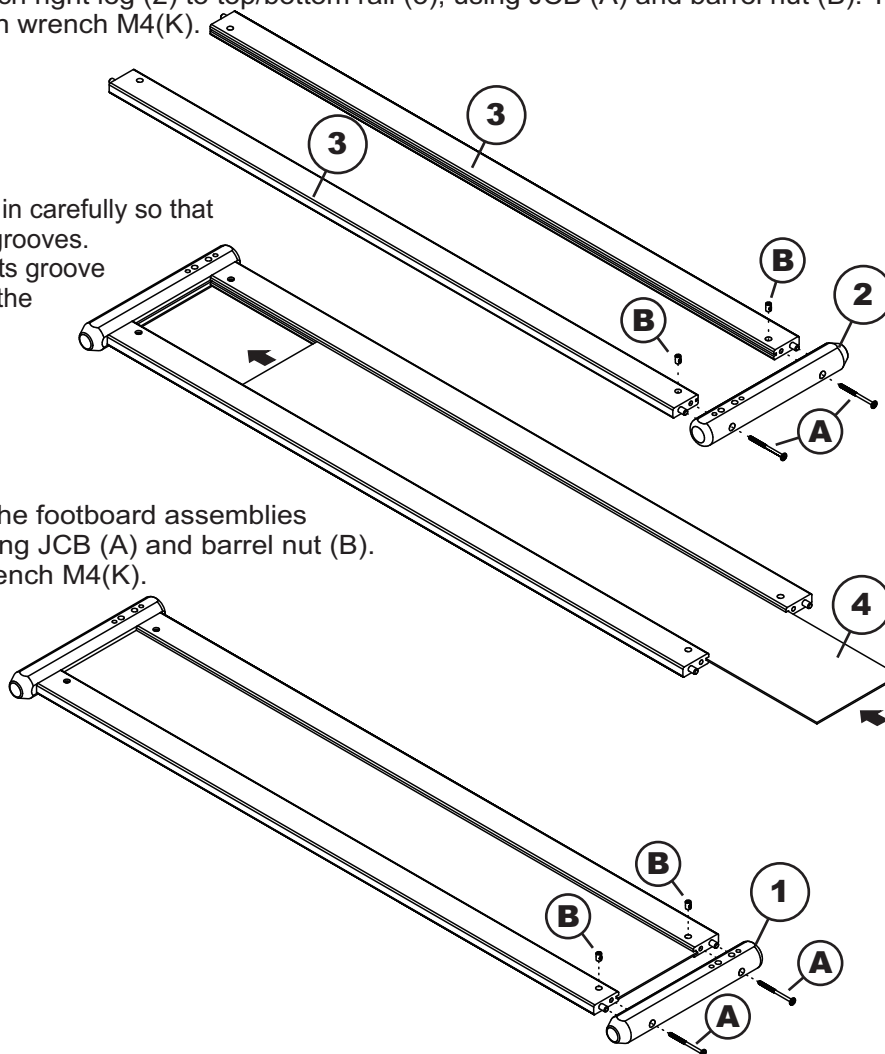
Attach right leg (2) to top/bottom rail (3), using JCB (A) and barrel nut (B). Tighten with the Allen wrench M4(K).

Step 2

Guide the FB panel (4) in carefully so that it won't jump out of its grooves. Be sure it fits fully into its groove at the leg before fitting the left leg (1).

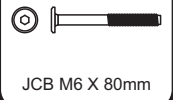
Step 3

Attach left leg (1) to the footboard assemblies as shown bellow. Using JCB (A) and barrel nut (B). Tighten with allen wrench M4(K). Repeat the other.



Adult assembly

A



JCB M6 X 80mm

B



Barrel nut

K



Allen wrench M4

PO:

CODE

ITEM

FR-BRC-ST

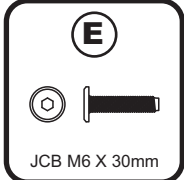
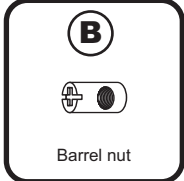
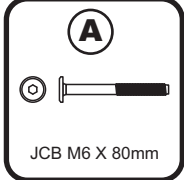
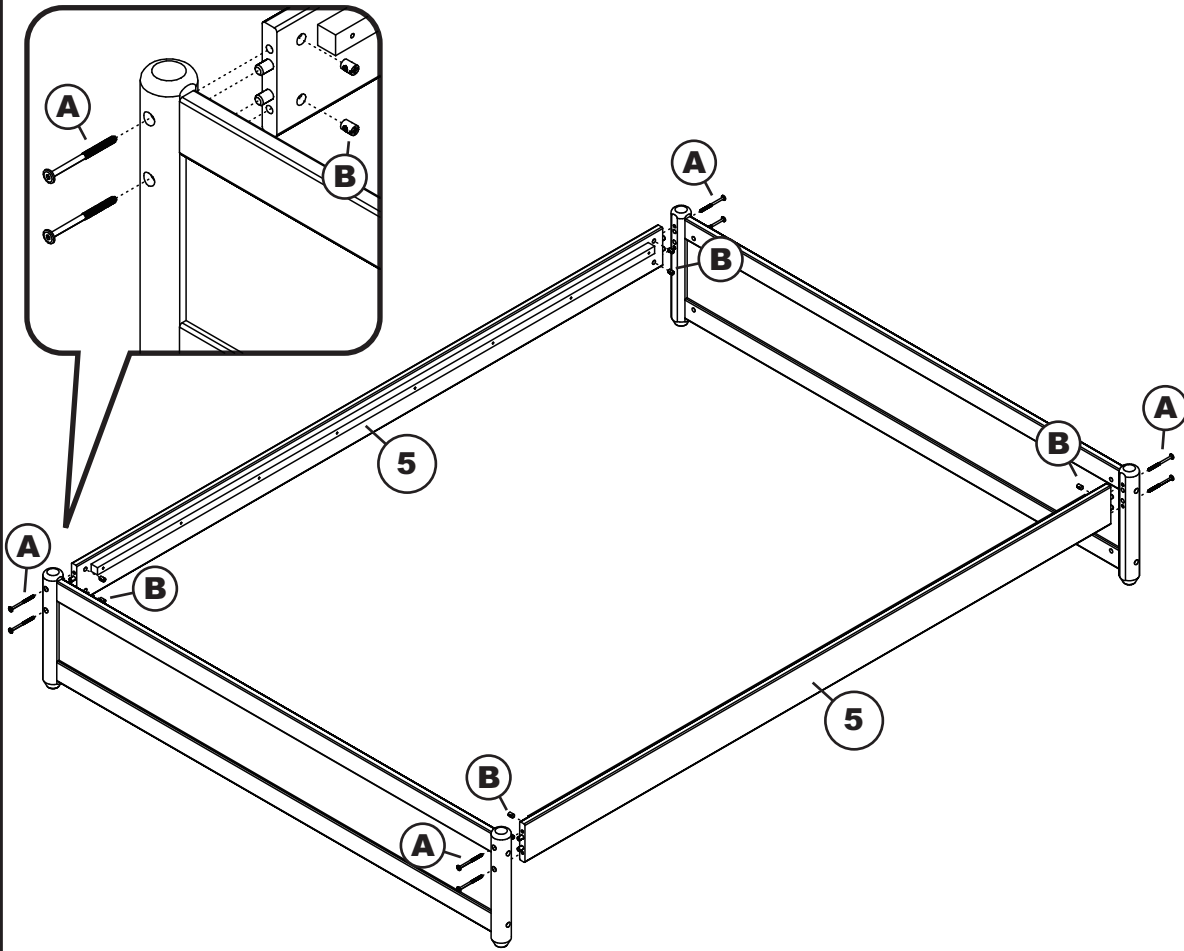
R-20134X

R-20135X

QUEEN, KING

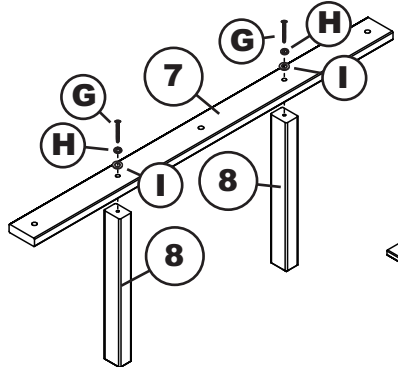
Step 4

Attach side rails (5) to the headboard / footboard as shown below. Using JCB (A) and barrel nut (B) tighten with Allen wrench M4 (K).



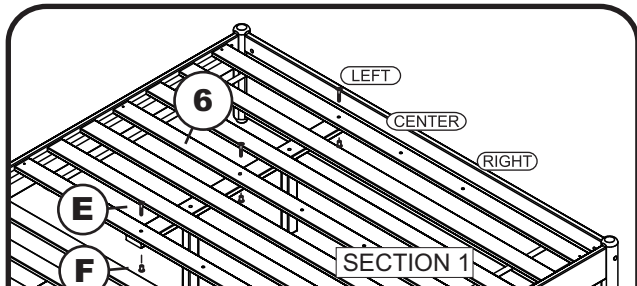
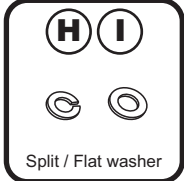
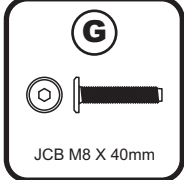
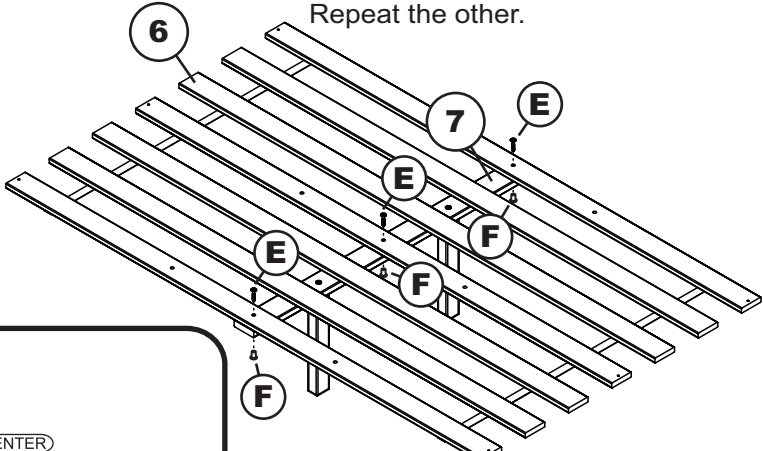
Step 5

Attach support legs (8) to support rail (7) as shown below using JCB M8 X 40mm (G) split and flat washer (H)(I) tighten with Allen wrench M5 (J). Repeat the other.

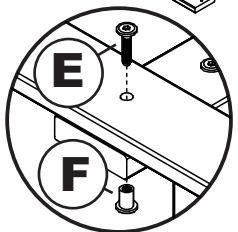


Step 6

Attach slat support (7) to the slat kit (6) as shown below using JCB M6 X 30mm (E) and cap nut (F). Tighten with Allen wrench M4 (K). Repeat the other.



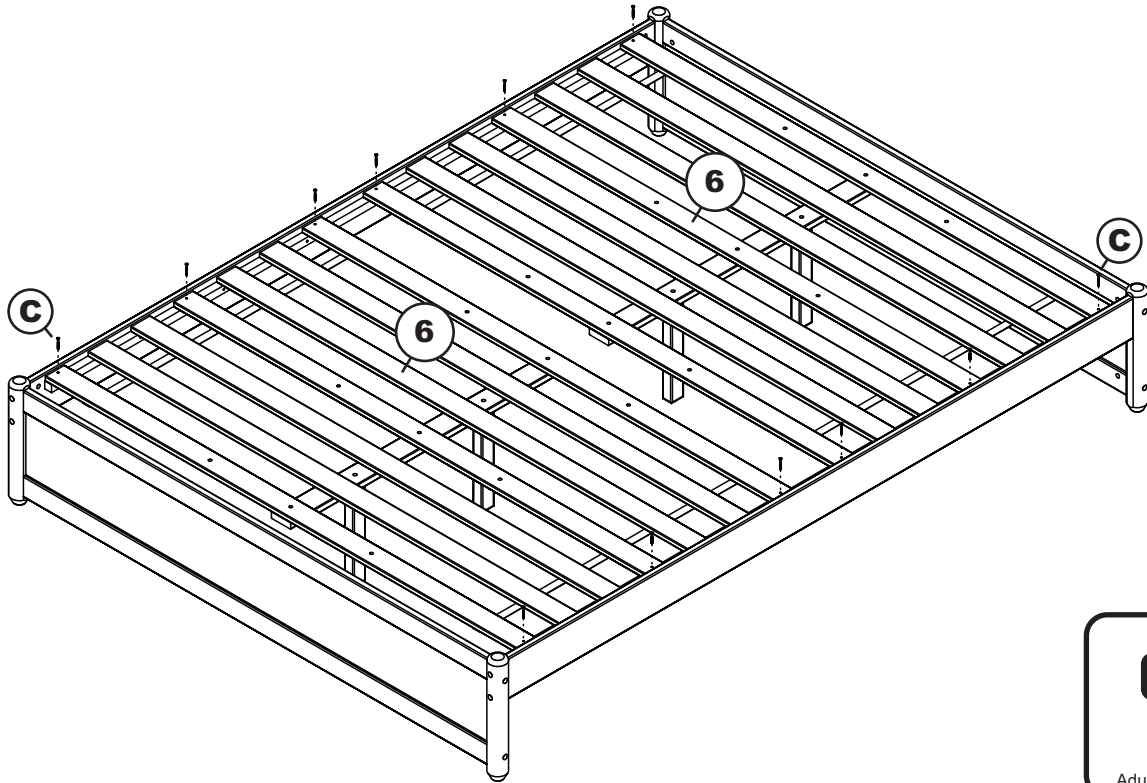
If using a Trundle Bed attach center rail off center as shown. Repeat for section 2.



QUEEN, KING

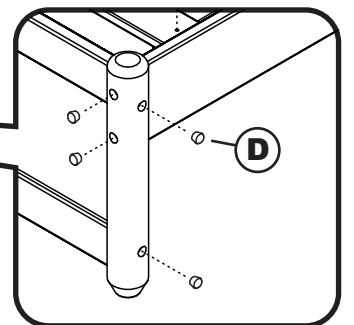
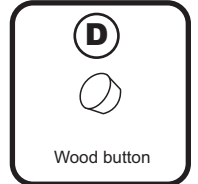
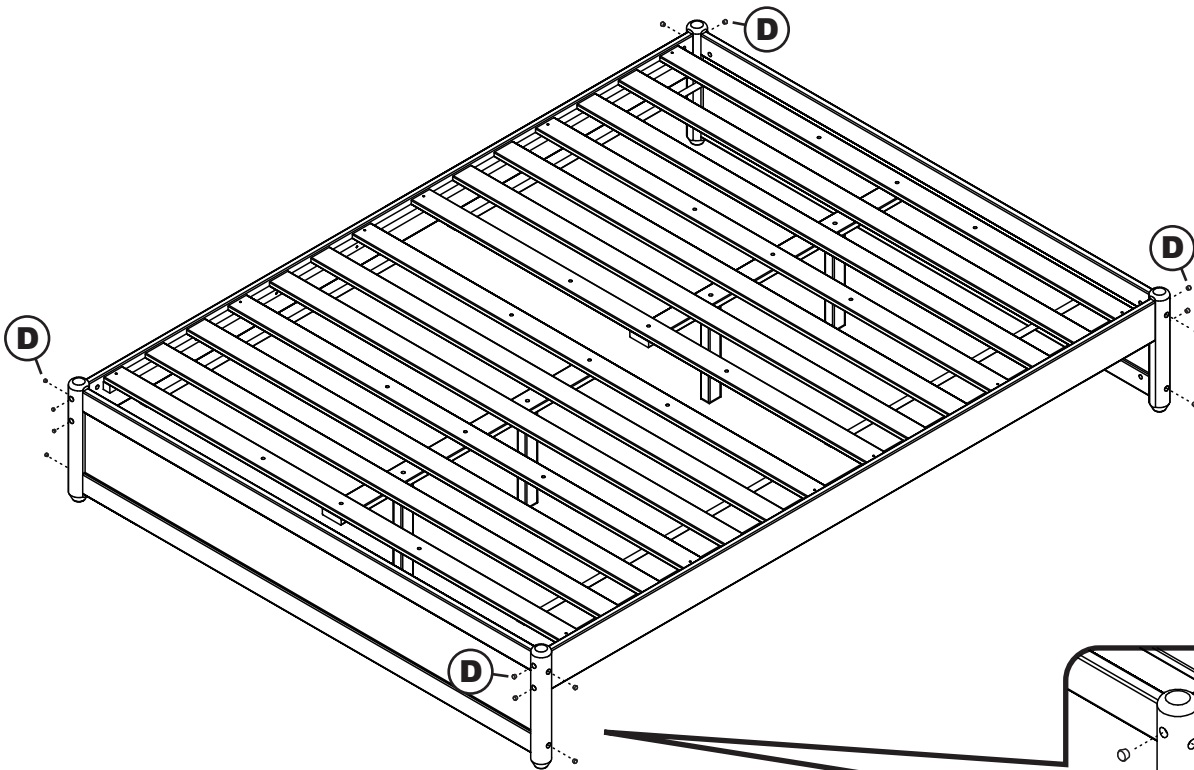
Step 8

Attach slat kit (6) onto the bed. Using wood screw (C) tighten with Phillips head screwdriver. (Customer supplied)



Step 9

Lastly, cover holes with wood button (D).



Congratulations!

Your bed is now ready for use.

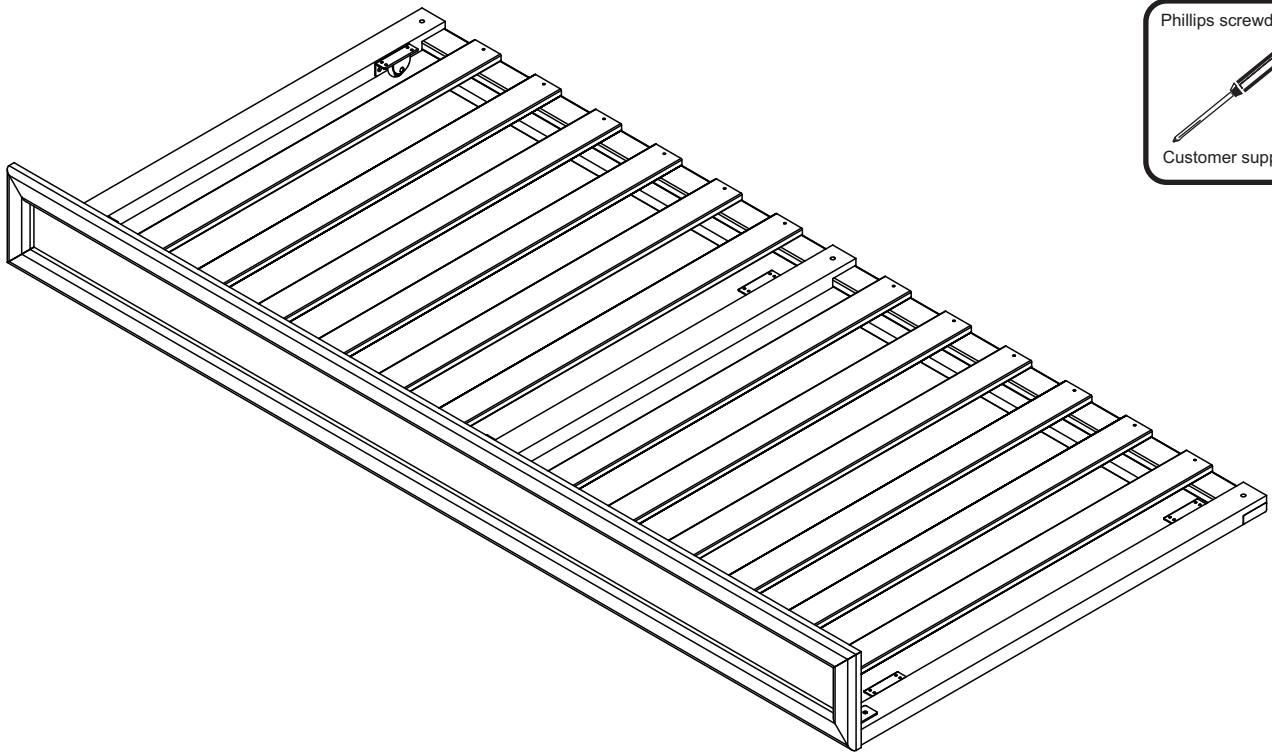
We recommend that you periodically recheck that all screws are tight to ensure lasting safety.

TWIN XL ASSEMBLY INSTRUCTIONS

Before assembling your Trundle bed, please read through these instructions carefully. Familiarize yourself with the different parts.



ATTENTION! If you receive a damaged or defective item, please contact afifurnishings at customerservice@afifurnishings.com or 1-800-955-3726

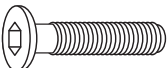


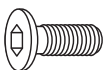
CODE	ITEM
ST-TD-MCM	E-7121X

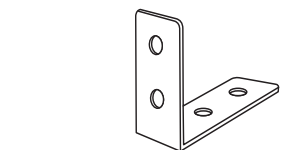
PO :

HARDWARE

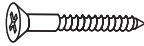
NOTE: WE INCLUDE SPARE HARDWARE IN CASE DAMAGE OCCURS DURING ASSEMBLY.

A  JCB M6 X 1 1/4" (30mm) - 3 pcs
Spare - 1 pc

B  JCB M6 X 5/8" (15mm) - 8 pcs
Spare - 1 pc



C L Bracket - 2 pcs

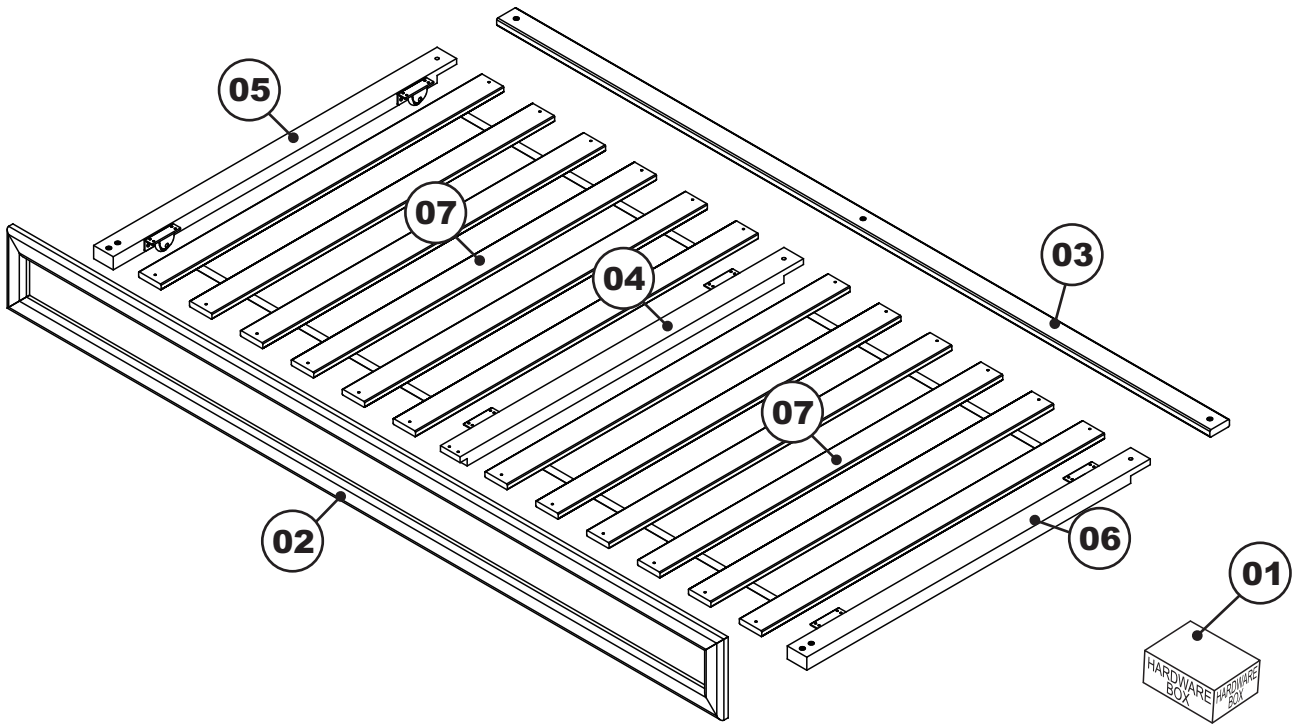
D  Wood screw 1 1/4" - 26 pcs
Spare - 2 pcs

E  Allen wrench - 1 pc
Spare - 1 pc

TWIN XL

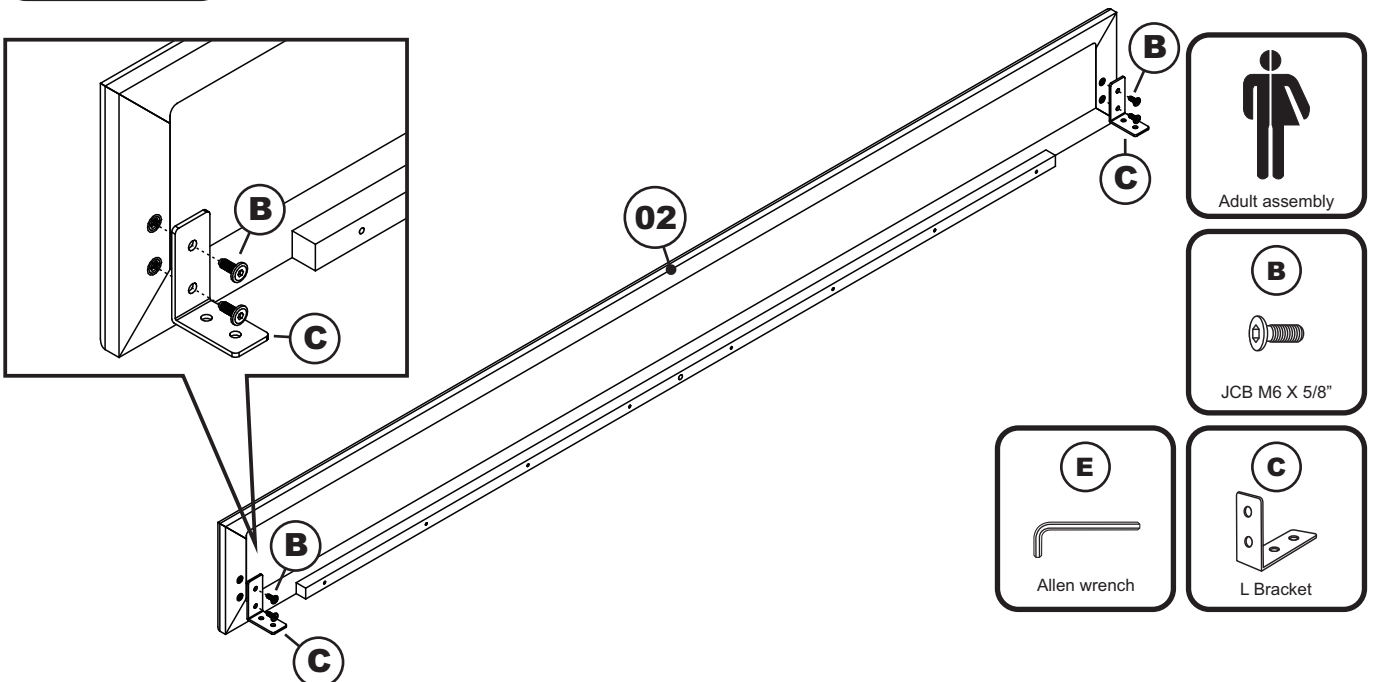
PARTS LIST

01	HARDWARE	1 BOX	05	LEFT RAIL	1 PC
02	FRONT PANEL	1 PC	06	RIGHT RAIL	1 PC
03	BACK RAIL	1 PC	07	SLAT KIT WITH WEBBING	2 SETS
04	MID RAIL	1 PC			

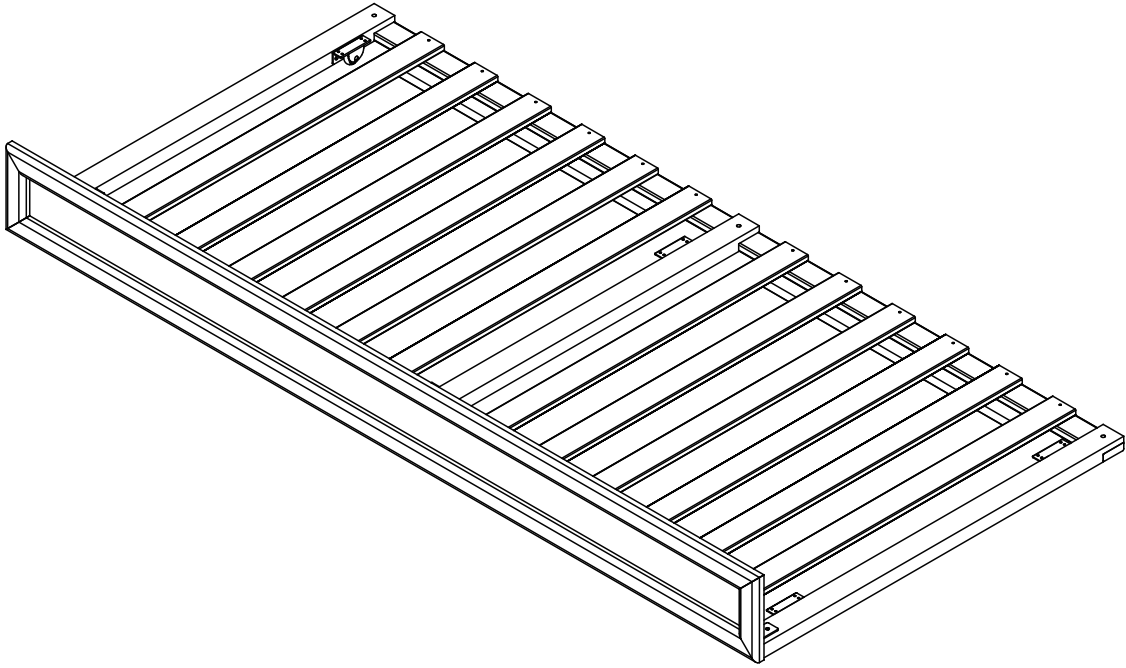


Step 1

Attach L bracket (C) to the front panel (02) using JCB M6 X 5/8" (B). Tighten with the Allen wrench (E).



TWIN XL



Congratulations!

Your Trundle bed is now ready for use.
We recommend that you periodically check that all screws are tight
and all parts are secure to ensure lasting safety.

Step 4

Lastly, Insert Trundle bed to the bed as shown below.

