

ASSEMBLY INSTRUCTIONS (TWIN, FULL)

Before assembling your newport captain's bookcase headboard, please read through these instructions carefully and familiarize yourself with the different parts.

ATTENTION! If you receive a damaged or defective item, please contact afifurnishings at customerservice@afifurnishings.com or 1-800-955-3726



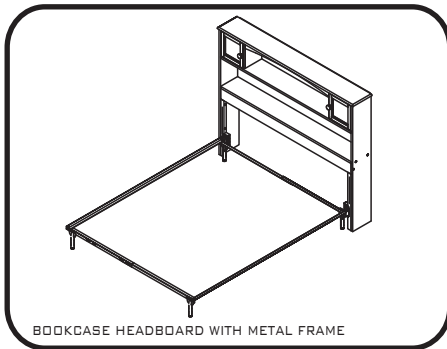
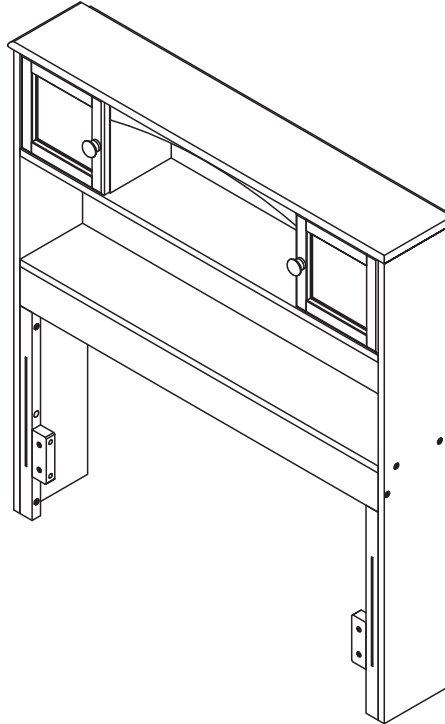
Phillips screwdriver



Customer supplied



Adult assembly



BOOKCASE HEADBOARD WITH METAL FRAME

CODE	ITEM	ITEM
HB-NWP	R-28582X	R-28583X

PO :

HEADBOARD HARDWARE

NOTE: WE INCLUDE SPARE HARDWARE IN CASE DAMAGE OCCURS DURING ASSEMBLY.

- A** JCB M6 X 1 2/8" (30mm) - 4 pcs
Spare - 1 pc
- B** JCB M6 X 1 1/2" (35mm) - 6 pcs
Spare - 1 pc
- C** JCB M6 X 2" (50mm) - 4 pcs
Spare - 1 pc
- D** Wooden dowel 10 X 30mm - 4 pcs
Spare - 1 pc
- E** Wooden dowel 8 X 30mm - 12 pcs
Spare - 1 pc

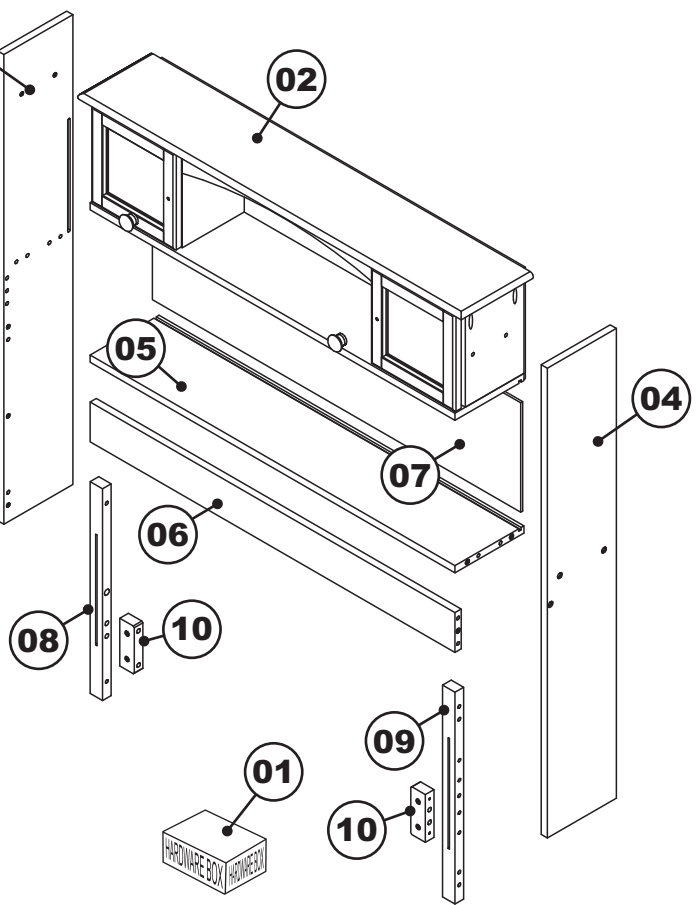
- F** Metal L-Bracket - 3 pcs
- G** Wood screw 1/2" - 6 pcs
Spare - 1 pc
- H** Wood screw 1 1/2" - 4 pcs
Spare - 1 pc
- I** Wooden pull - 2 pcs
- J** Wooden pull screw - 2 pcs

HARDWARE FOR METAL BED FRAME

- K** JCB M6 X 1" (25mm) - 6 pcs
Spare - 1 pc
For post - 2 pcs
For metal bed frame - 4 pcs
- L** Split washer - 4 pcs
Spare - 1 pc
- M** Flat washer - 4 pcs
Spare - 1 pc
- N** Allen wrench - 1 pc
Spare - 1 pc

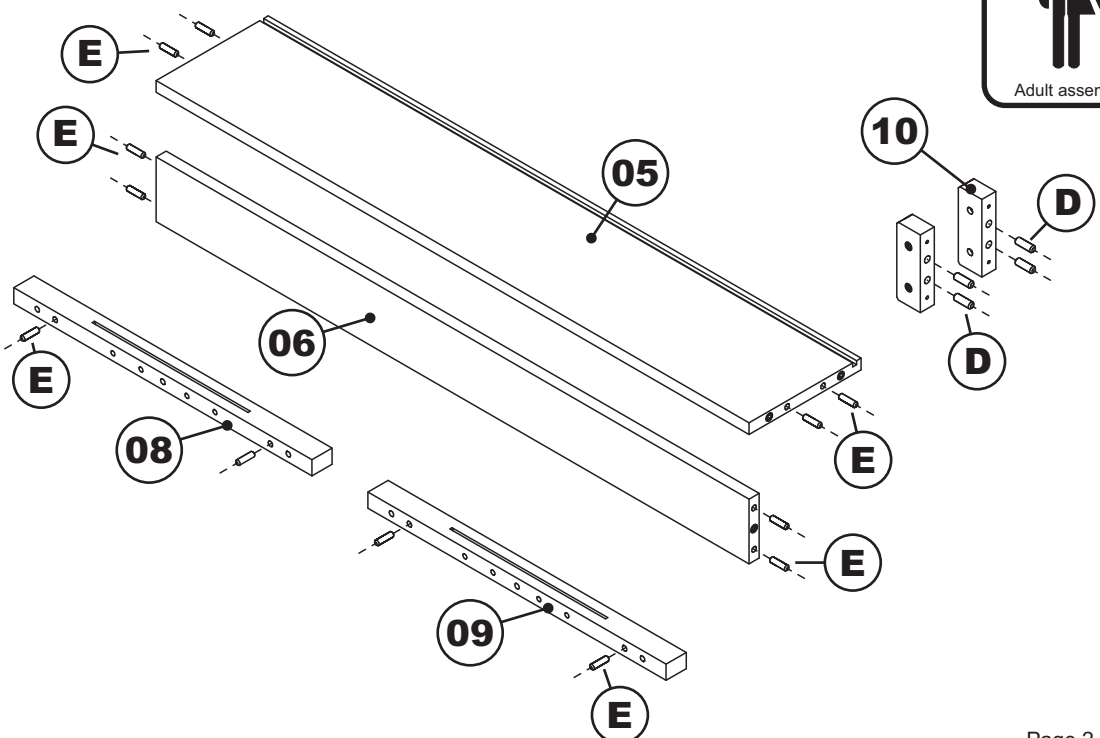
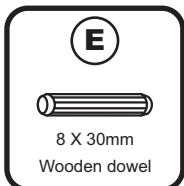
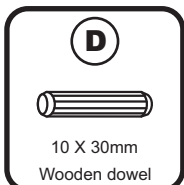
PARTS LIST

- | | | |
|-----------|-------------------------|--------------|
| 01 | HARDWARE | 1 BOX |
| 02 | TOP STORAGE | 1 SET |
| 03 | LEFT SIDE PANEL | 1 PC |
| 04 | RIGHT SIDE PANEL | 1 PC |
| 05 | LOWER SHELF | 1 PC |
| 06 | PILLOW STOP | 1 PC |
| 07 | BACK PANEL | 1 PC |
| 08 | LEFT POST | 1 PC |
| 09 | RIGHT POST | 1 PC |
| 10 | SPACER BLOCK | 2 PCS |



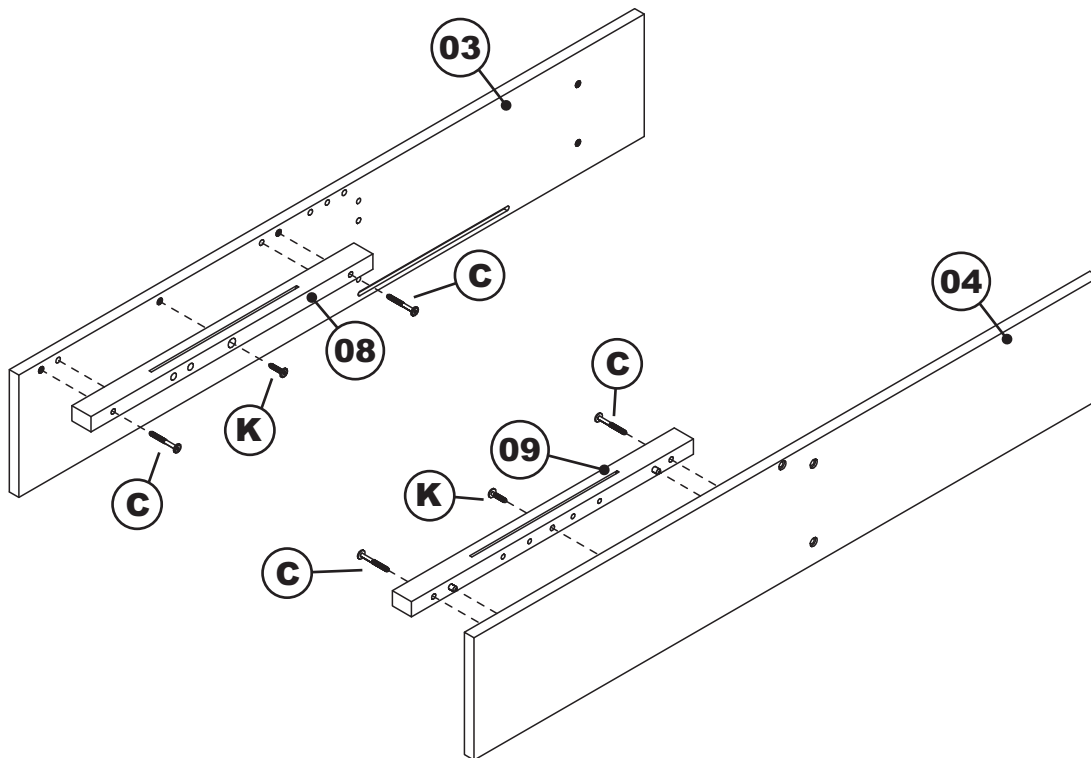
STEP 1

Insert wooden dowels (D) and (E) into locator holes on (05)(06)(08) and (09) as shown below.



STEP 2

Attach the left, right post (08) and (09) to the left, right side panel (03) and (04) as shown below. Using JCB (C) and (K). Tighten with Allen wrench (N).



Adult assembly

C

JCB M6 X 2"

K

JCB M6 X 1"

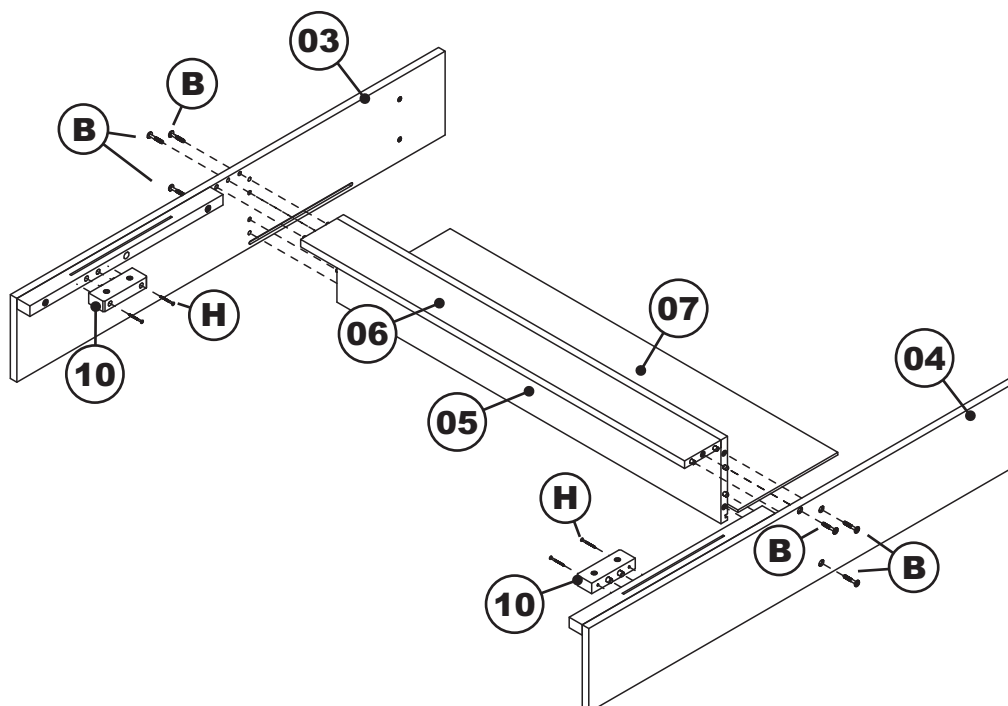
N

Allen wrench

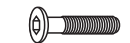
STEP 3

Attach the lower shelf (05), pillow stop (06) & back panel (07) to side panels (03) and (04) as shown below. Using JCB (B), tighten with Allen wrench (N).

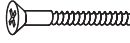
Attach the spacer block (10) to side panels (03) and (04) as shown below. Using wood screw (H), tighten with Phillips screwdriver. (customer supplied)



Adult assembly

B

JCB M6 X 1 1/2"

H

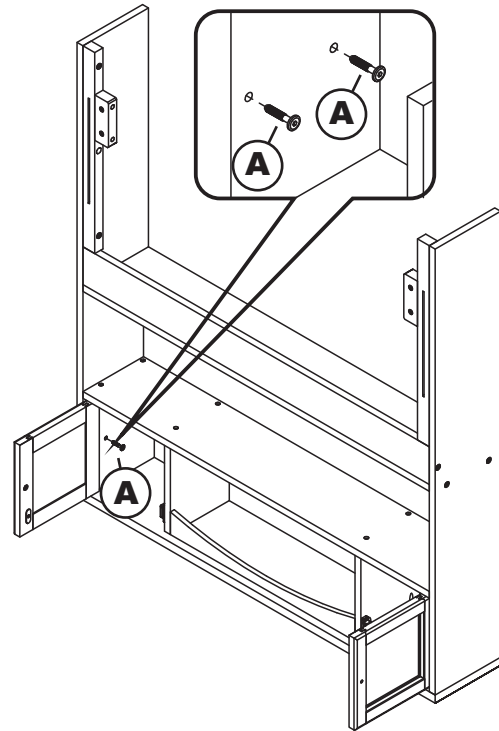
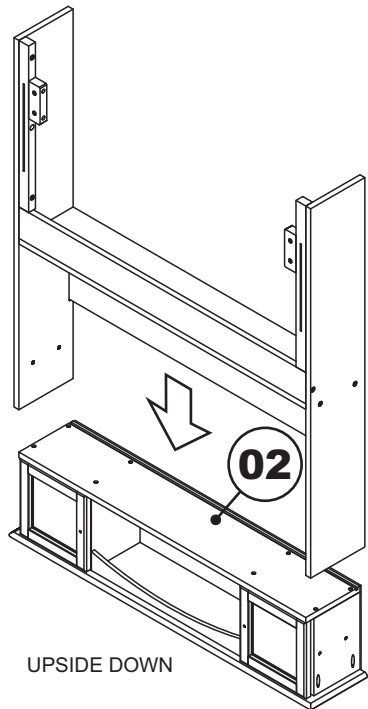
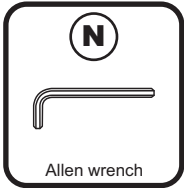
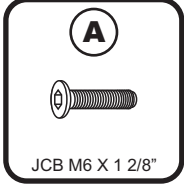
Wood screw

N

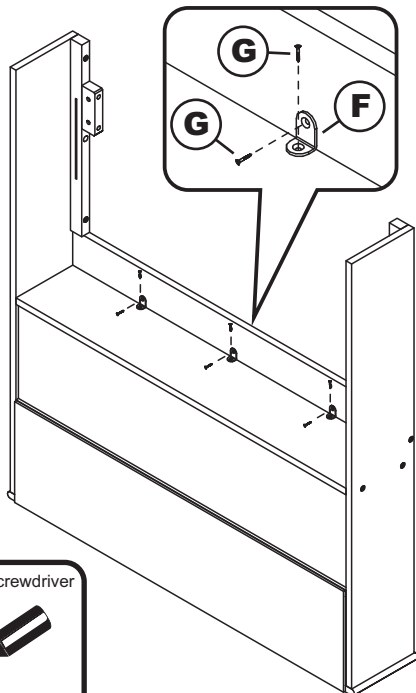
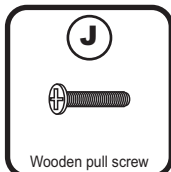
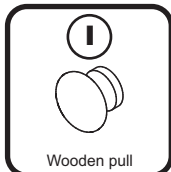
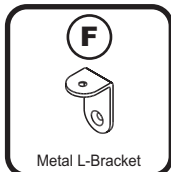
Allen wrench

STEP 4

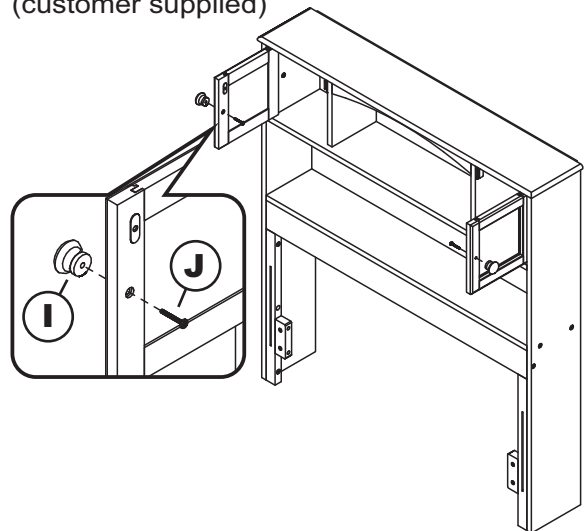
Lay the top storage (02) on the floor upside down, taking care to lay it on some cardboard to prevent scratching. Stand the side panel assembly upside down and using JCB (A), tighten with Allen wrench (N).

**STEP 5**

Install metal L- Bracket (F) as shown below. Using wood screw (G), tighten with Phillips screwdriver. (customer supplied)

**STEP 6**

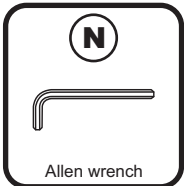
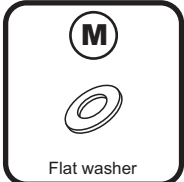
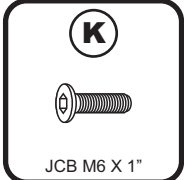
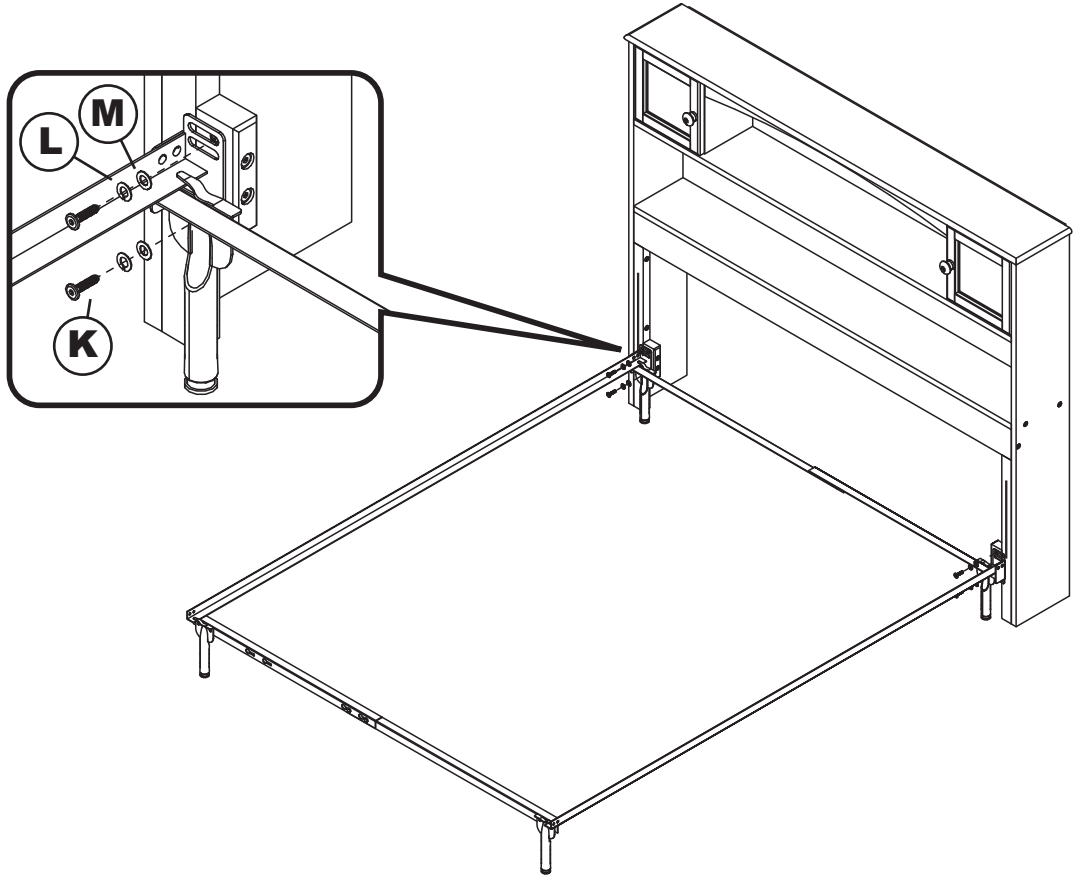
Install wooden pull (I) to each of the doors as shown. Using wooden pull screws (J), tighten with Phillips screwdriver. (customer supplied)



Your headboard is now ready for use.

STEP 7

Attach headboard assembly to the metal bed frame as shown below. (purchased separately) Using JCB (K) split and flat washer (L) and (M) tighten with Allen wrench (N).

**Congratulations!**

Your Bed is now ready for use.

To ensure lasting safety, we recommend that you periodically check that all screws are tight and all parts are secure.

TWIN

ASSEMBLY INSTRUCTIONS

Before assembling your bed frame, please read through these instructions carefully and familiarize yourself with the different parts.



ATTENTION! If you receive a damaged or defective item, please contact afifurnishings at customerservice@afifurnishings.com or 1-800-955-3726

PARTS LIST

- | | | |
|---|-----------------|-------|
| ① | LEFT LEG | 1 PC |
| ② | RIGHT LEG | 1 PC |
| ③ | TOP/BOTTOM RAIL | 2 PCS |
| ④ | FB PANEL | 1 PC |
| ⑤ | LEFT SIDE RAIL | 1 PC |
| ⑥ | RIGHT SIDE RAIL | 1 PC |
| ⑦ | SLAT KIT | 2 SET |

HARDWARE

- | | | | |
|---|--|---|--------------------------------------|
| Ⓐ | JCB M6 X 80mm (3 1/8") - 8 pcs
Spare - 1 pc | Ⓓ | Wood button - 8 pcs
Spare - 1 pc |
| Ⓑ | Barrel nut - 8 pcs | Ⓔ | Allen wrench M4 - 1pc
Spare - 1pc |
| Ⓒ | Wood screw(1 1/4") - 12 pcs
Spare - 1 pc | | |

NOTE: WE INCLUDE SPARE HARDWARE IN CASE DAMAGE OCCURS DURING ASSEMBLY.

Step 1

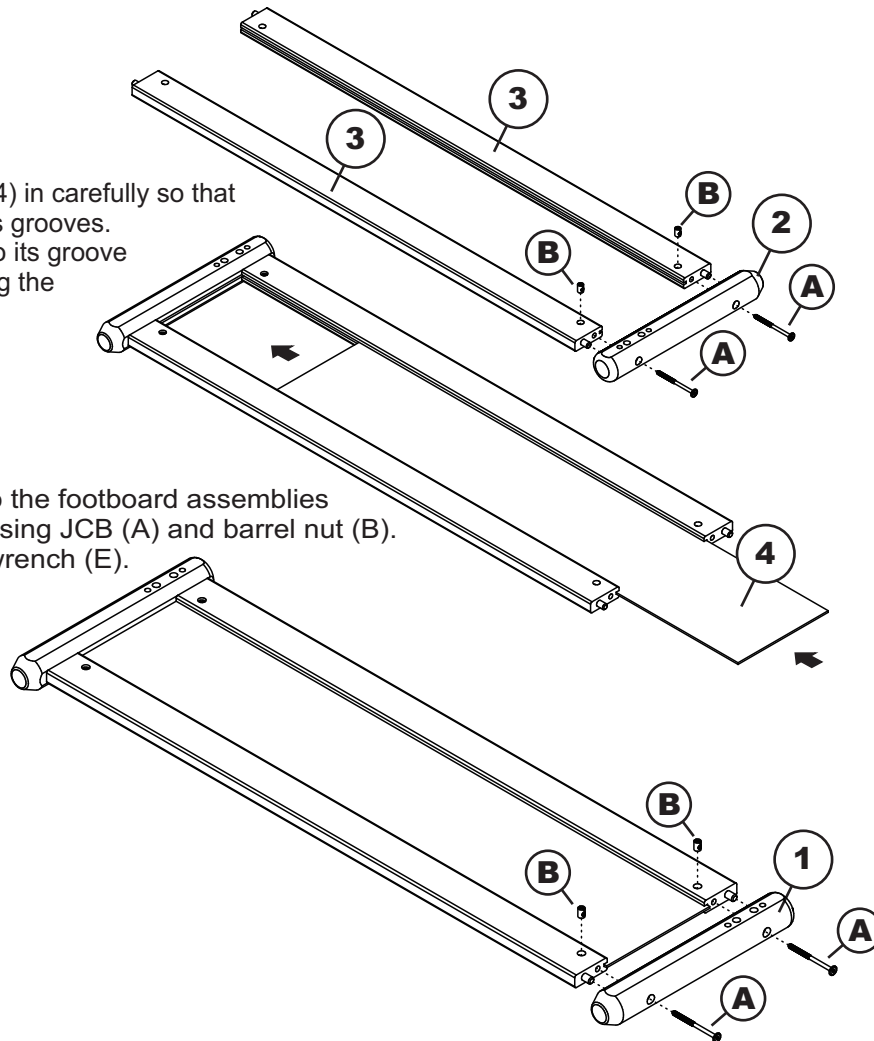
Attach right leg (2) to top/bottom rail (3), using JCB (A) and barrel nut (B). Tighten with the Allen wrench (E).

Step 2

Guide the FB panel (4) in carefully so that it won't jump out of its grooves. Be sure it fits fully into its groove at the leg before fitting the left leg (1).

Step 3

Attach left leg (1) to the footboard assemblies as shown bellow. Using JCB (A) and barrel nut (B). Tighten with allen wrench (E).



Adult assembly

Ⓐ



JCB M6 X 80mm

Ⓑ



Barrel nut

Ⓔ



Allen wrench

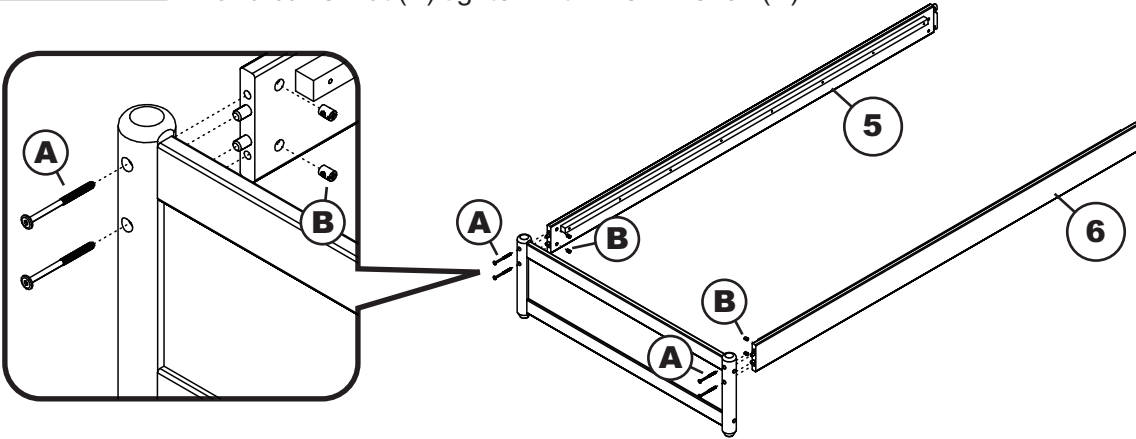
PO:

CODE	ITEM
FR-BRC-STP	R-20332X

TWIN

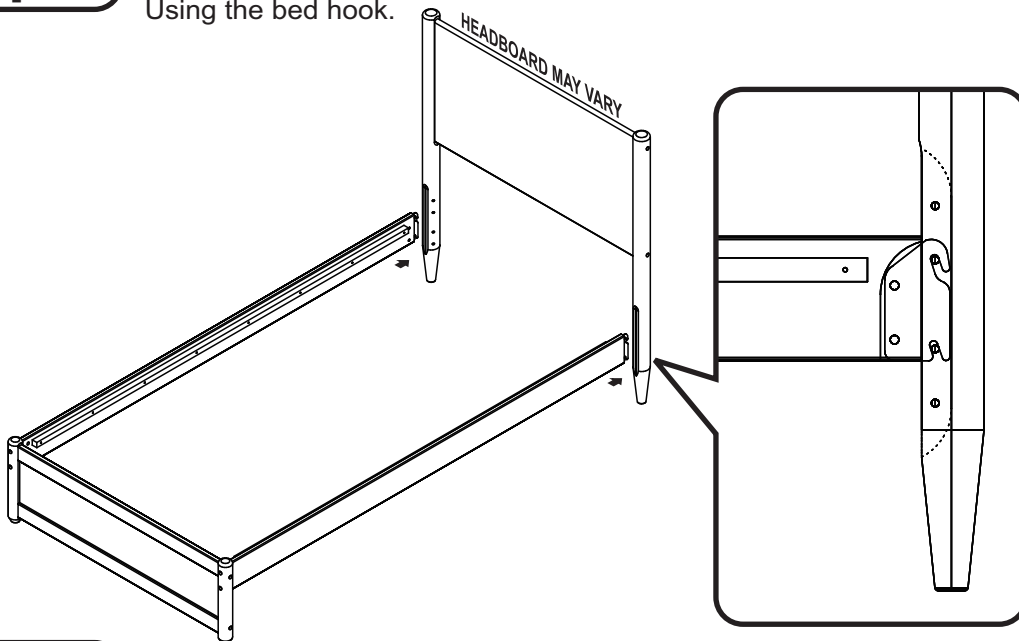
Step 4

Attach left right side rails (5)(6) to the footboard as shown below. Using JCB (A) and barrel nut (B) tighten with Allen wrench (E).



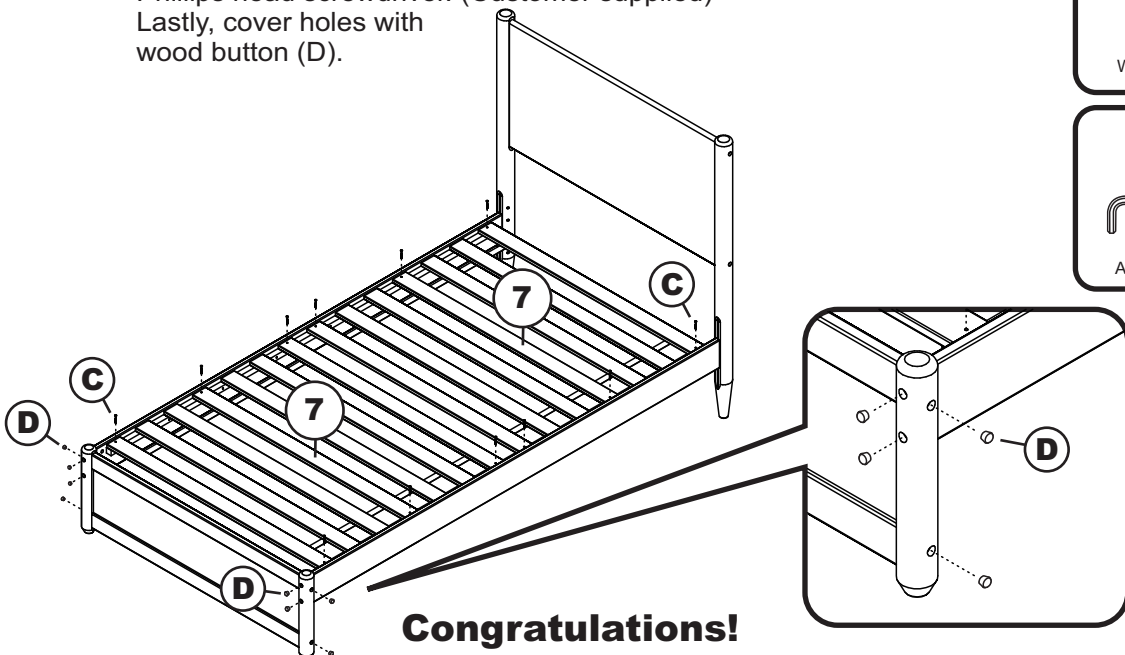
Step 5

Attach the side rails to the headboard as shown below. Using the bed hook.



Step 6

Attach slat kit (7) onto the bed. Using wood screw (C) tighten with Phillips head screwdriver. (Customer supplied)
Lastly, cover holes with wood button (D).



Congratulations!

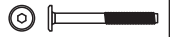
Your bed is now ready for use.

We recommend that you periodically recheck that all screws are tight to ensure lasting safety.



Adult assembly

A



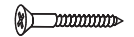
JCB M6 X 80mm

B



Barrel nut

C



Wood screw 1 1/4"

D



Wood button

E

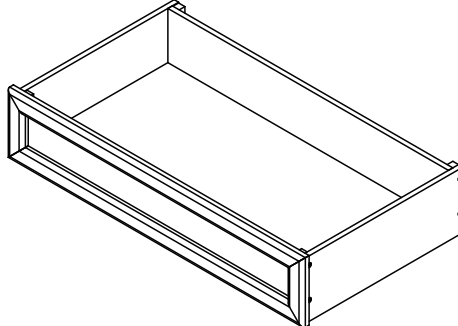
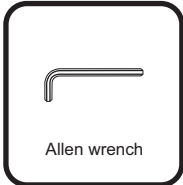


Allen wrench

ASSEMBLY INSTRUCTIONS

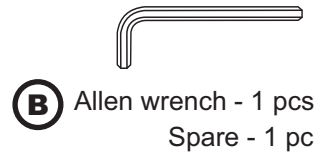
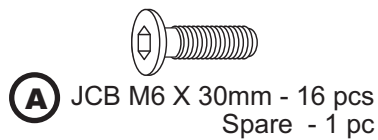
Before assembling your bed drawer, please read through these instructions carefully, familiarize yourself with the different parts.

ATTENTION! If you receive a damaged or defective item, please contact afifurnishings at customerservice@afifurnishings.com or 1-800-955-3726



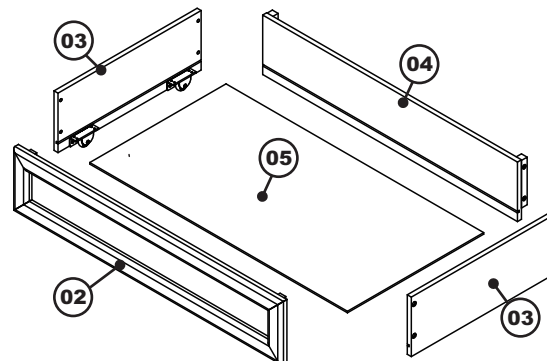
NOTE: WE INCLUDE SPARE HARDWARE IN CASE DAMAGE OCCURS DURING ASSEMBLY.

HARDWARE



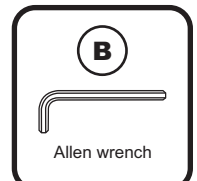
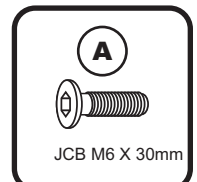
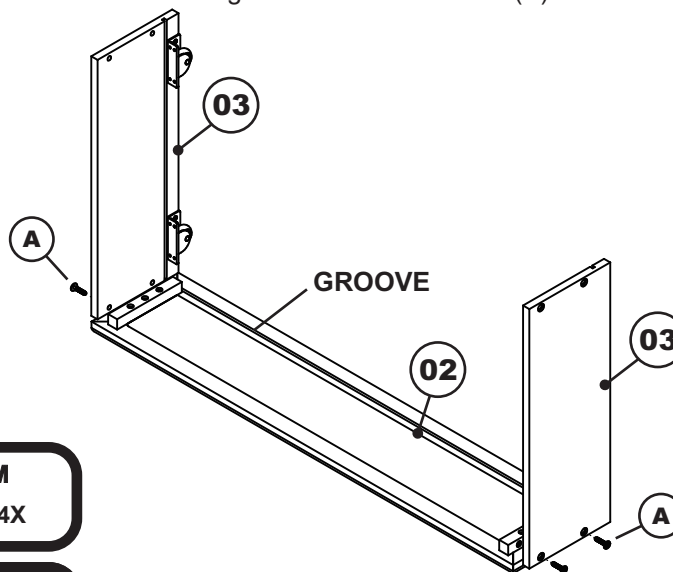
PARTS LIST

01	HARDWARE	1 BOX
02	DRAWER FACE	2 PCS
03	DRAWER SIDE	4 PCS
04	DRAWER BACK	2 PCS
05	DRAWER BOTTOM	2 PCS



Step 1

Lay the drawer face (02) on smooth, flat surface so the drawer bottom (05) groove is facing upwards. Attach the drawer sides (03) to drawer face (02) using JCB M6 X 30mm (A). Align groove inside drawer side with groove in drawer face. Tighten with Allen wrench (B).

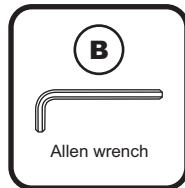
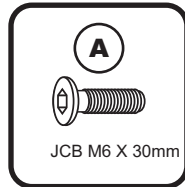
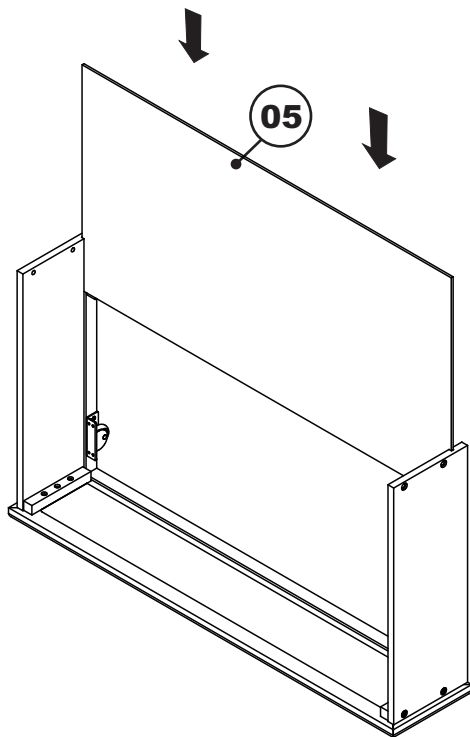


CODE	ITEM	ITEM
ST-DR2-MCM	E-7113X	E-7114X

PO :

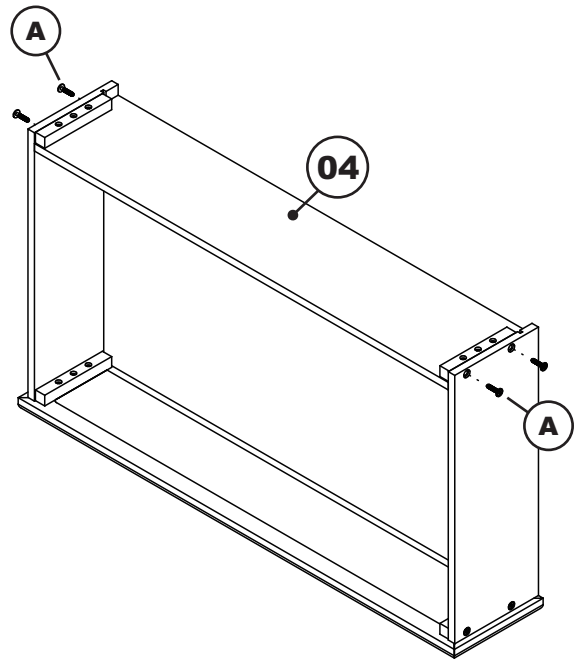
Step 2

Guide the drawer bottom (05) in carefully so that it won't jump out of its grooves. Be sure it fits fully into its groove at the bottom (in the drawer face) before fitting the drawer back.



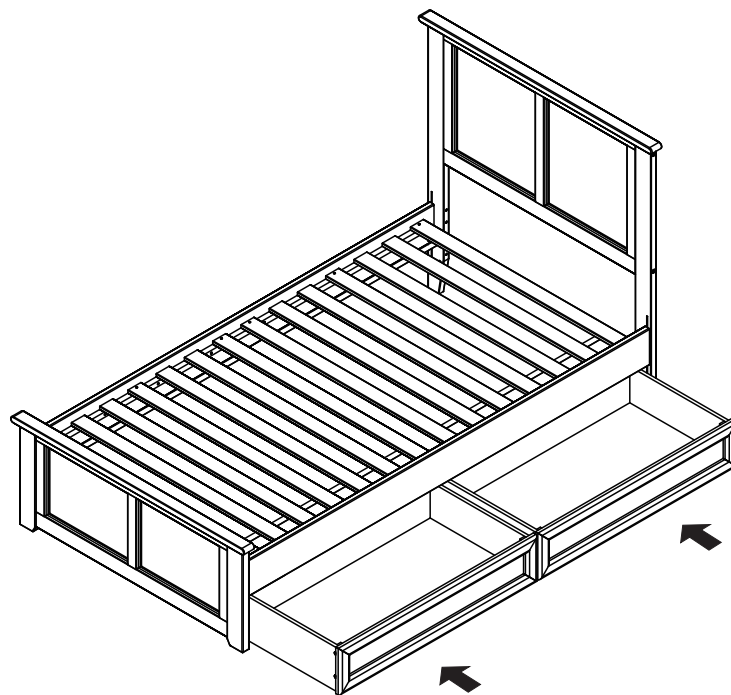
Step 3

Attach drawer back (04) to bed drawer assembly as shown. Use JCB M6 X 30mm (A). Tighten with Allen wrench (B).



Step 4

Lastly, insert bed drawer to the bed as shown below.



Congratulations!

Your bed drawer is now ready for use.
We recommend that you periodically recheck that all screws are tight to ensure lasting safety.