

## ASSEMBLY INSTRUCTIONS

Before assembling your headboard, please read through these instructions carefully and familiarize yourself with the different parts.

**ATTENTION!** If you receive a damaged or defective item, please contact afifurnishings at [customerservice@afifurnishings.com](mailto:customerservice@afifurnishings.com) or 1-800-955-3726



### PARTS LIST

- 1 HEADBOARD PANEL 1 PC
- 2 LEFT LEG 1 PC
- 3 RIGHT LEG 1 PC
- 4 PILLOW STOP 1 PC
- 5 PACKING STICK 2 PCS

Instructions apply for bed sizes  
**QUEEN > KING**

### HARDWARE

- A Wooden dowel - 4 pcs  
Spare - 2 pc
- B JCB M6 X 120mm (4 3/4") - 4 pcs  
Spare - 1 pc
- C Barrel nut - 4 pcs  
Spare - 1 pc
- D Wood button - 4 pcs  
Spare - 1 pc
- H Allen wrench - 1 pc  
Spare - 1 pc

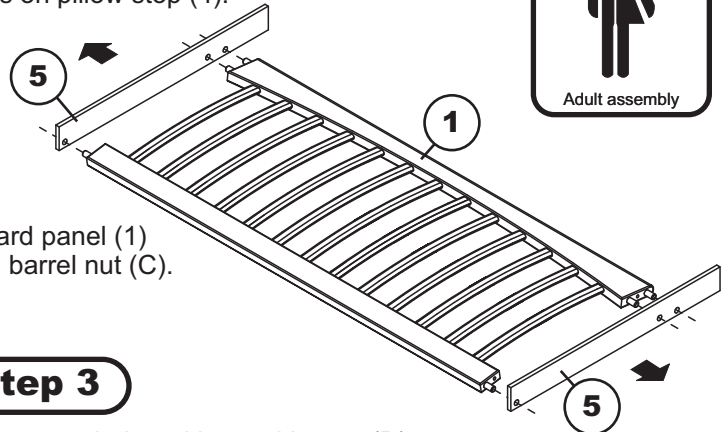
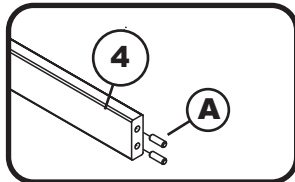
### HARDWARE FOR METAL BED FRAME

- E JCB M6 X 25mm (1") - 4 pcs  
Spare - 1 pc
- F Flat washer - 4 pcs  
Spare - 1 pc
- G Split washer - 4 pcs  
Spare - 1 pc

NOTE: WE INCLUDE SPARE HARDWARE IN CASE DAMAGE OCCURS DURING ASSEMBLY.

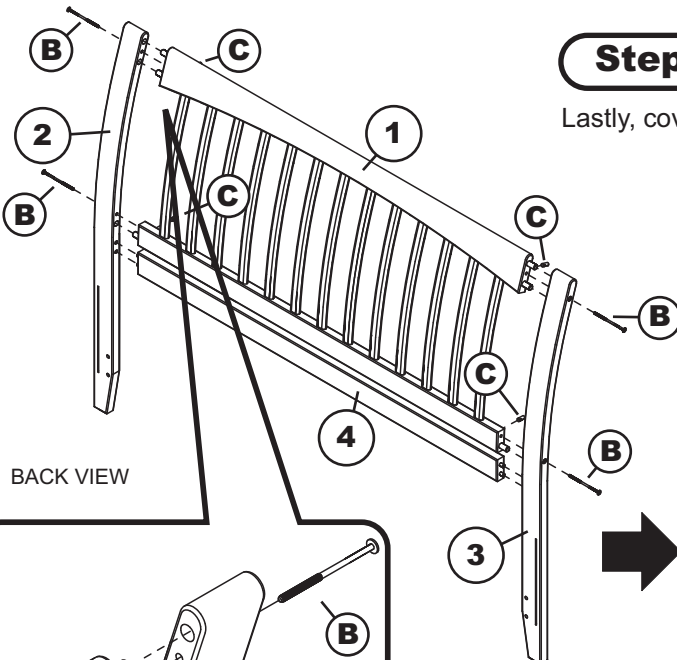
### Step 1

Remove packing stick (5) from headboard panel (1) and **DISCARD**. Insert wooden dowels (A) to the locator holes on pillow stop (4).



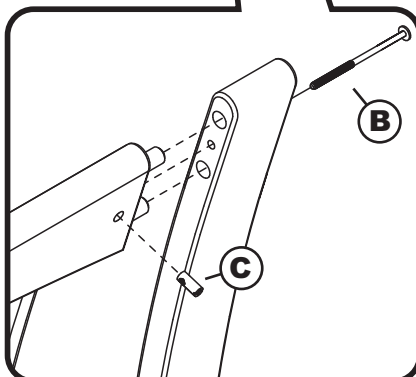
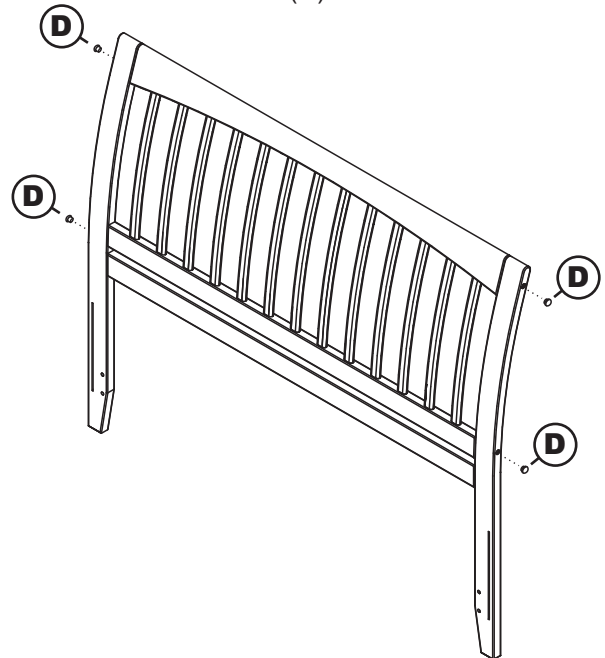
### Step 2

Attach the legs (2) and (3) to headboard panel (1) and pillow stop (4) using JCB (B) and barrel nut (C). Tighten with the Allen wrench (H).



### Step 3

Lastly, cover holes with wood button (D).



CODE  
HB-OLN  
HB-OLN

ITEM  
R-29284X  
R-29285X

PO:

If you purchased a wood headboard to attach to metal bed frame, please refer to page 2.

**ASSEMBLY INSTRUCTIONS**

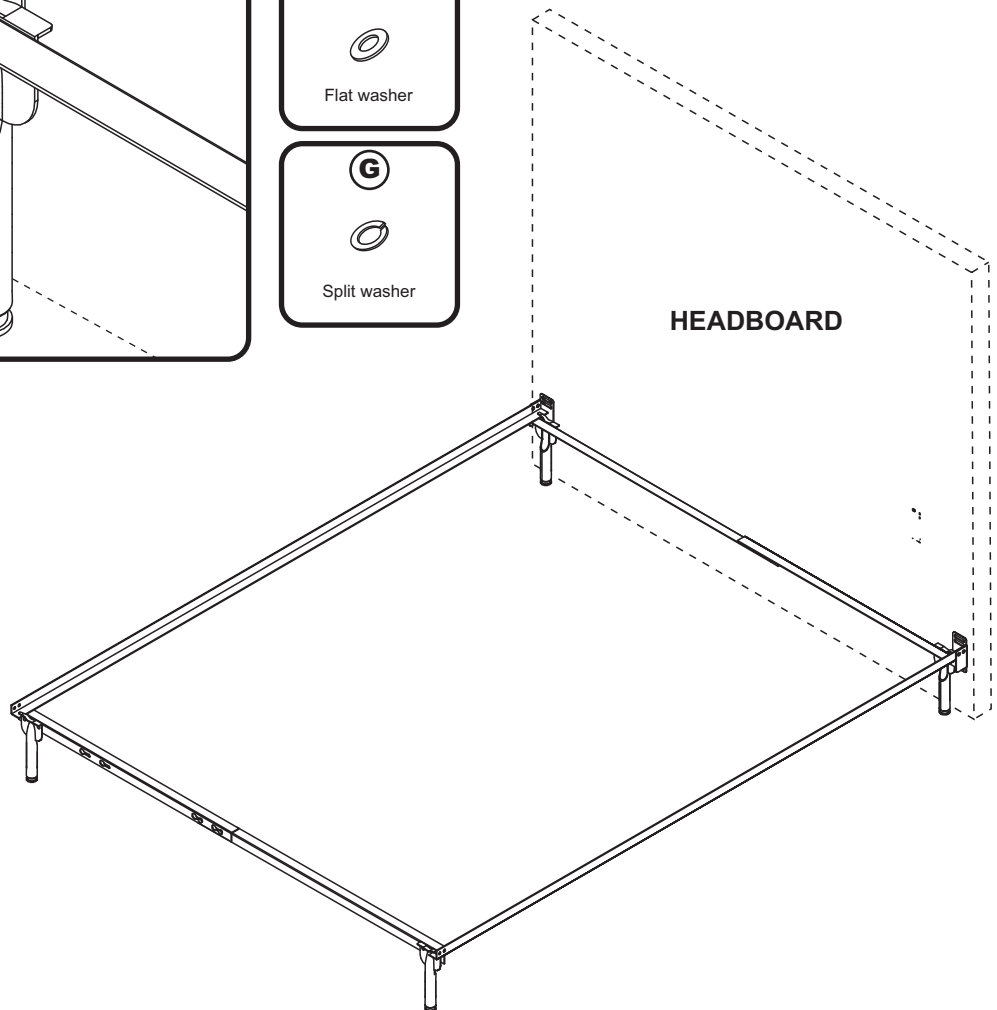
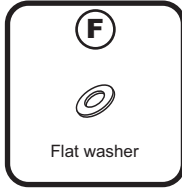
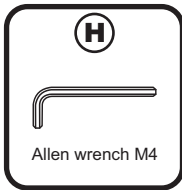
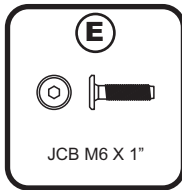
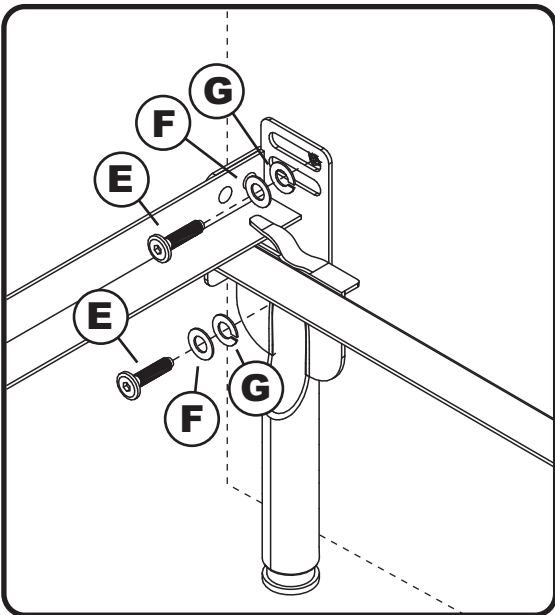
Before assembling your bed, please read through these instructions carefully and familiarize yourself with the different parts.

Instructions apply for bed sizes  
**TWIN > FULL > QUEEN > KING**



Metal bed frames are sold separately from wood headboards. The hardware shown on this page is supplied with your wood headboard for attaching the bed frame to the headboard. The metal bed frame is supplied with its own assembly instructions and hardware.

**Step 1** Attach the headboard assembly to the metal frame using JCB (E), flat washer (F), and split washer (G) then tighten with Allen wrench (H), as shown below.



**Congratulations!**

Your bed is now ready for use.  
To ensure lasting safety, we recommend that you periodically check that all screws are tight and all parts are secure.

## QUEEN, KING

### ASSEMBLY INSTRUCTIONS

Before assembling your bed frame, please read through these instructions carefully and familiarize yourself with the different parts.



**ATTENTION!** If you receive a damaged or defective item, please contact afifurnishings at [customerservice@afifurnishings.com](mailto:customerservice@afifurnishings.com) or 1-800-955-3726

#### PARTS LIST

- |   |                 |       |
|---|-----------------|-------|
| 1 | LEFT LEG        | 1 PC  |
| 2 | RIGHT LEG       | 1 PC  |
| 3 | TOP/BOTTOM RAIL | 2 PCS |
| 4 | FB PANEL        | 1 PC  |
| 5 | LEFT SIDE RAIL  | 1 PC  |
| 6 | RIGHT SIDE RAIL | 1 PC  |
| 7 | SLAT KIT        | 2 SET |
| 8 | SUPPORT RAIL    | 2 PCS |
| 9 | SUPPORT LEG     | 4 PCS |

#### HARDWARE

- |   |                                |              |   |                       |              |
|---|--------------------------------|--------------|---|-----------------------|--------------|
| A | JCB M6 X 80mm (3 1/8") - 8 pcs | Spare - 1 pc | F | Cap nut - 6 pcs       |              |
| B | Barrel nut - 8 pcs             |              | H | Split washer - 4 pcs  | Spare - 1 pc |
| C | Wood screw (1 1/4") - 12 pcs   | Spare - 1 pc | G | JCB M8 X 40mm - 4 pcs |              |
| D | Wood button - 8 pcs            | Spare - 1 pc | J | Allen wrench M5 - 1pc |              |
| E | JCB M6 X 30mm (1 1/4") - 6 pcs | Spare - 1 pc | I | Flat washer - 4 pcs   | Spare - 1 pc |
|   |                                |              | K | Allen wrench M4 - 1pc | Spare - 1pc  |

NOTE: WE INCLUDE SPARE HARDWARE IN CASE DAMAGE OCCURS DURING ASSEMBLY.

#### Step 1

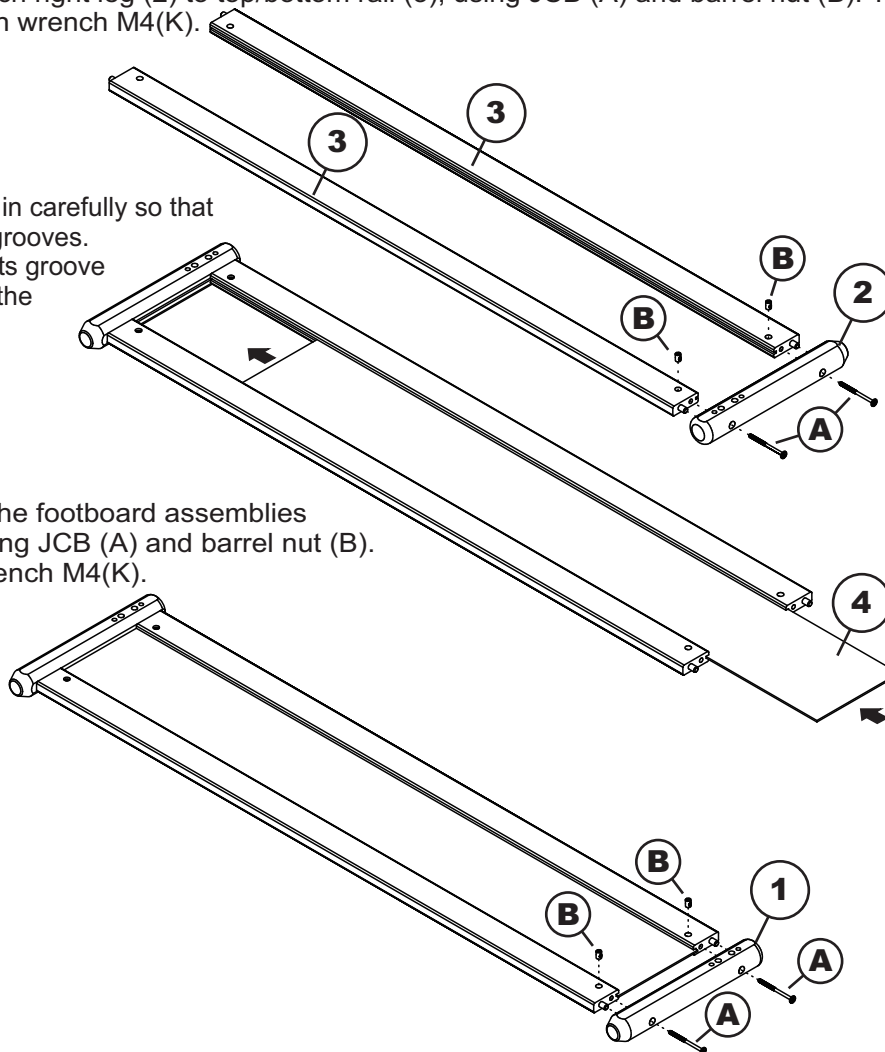
Attach right leg (2) to top/bottom rail (3), using JCB (A) and barrel nut (B). Tighten with the Allen wrench M4(K).

#### Step 2

Guide the FB panel (4) in carefully so that it won't jump out of its grooves. Be sure it fits fully into its groove at the leg before fitting the left leg (1).

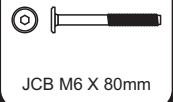
#### Step 3

Attach left leg (1) to the footboard assemblies as shown bellow. Using JCB (A) and barrel nut (B). Tighten with allen wrench M4(K).



Adult assembly

A



JCB M6 X 80mm

B



Barrel nut

K



Allen wrench M4

PO:

CODE

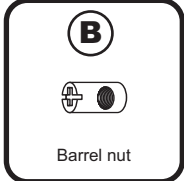
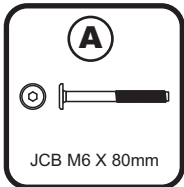
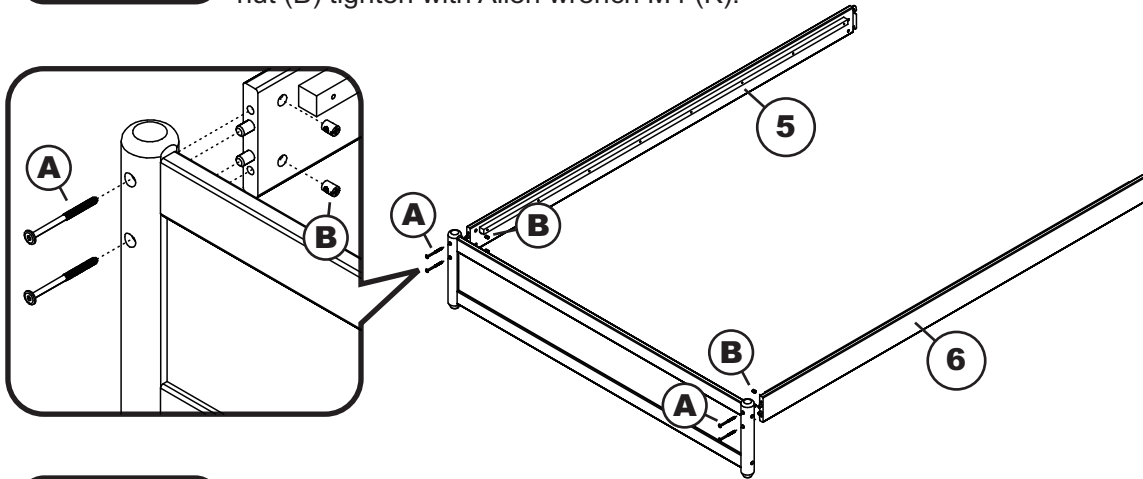
FR-BRC-STP

ITEM

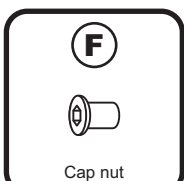
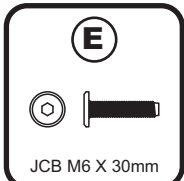
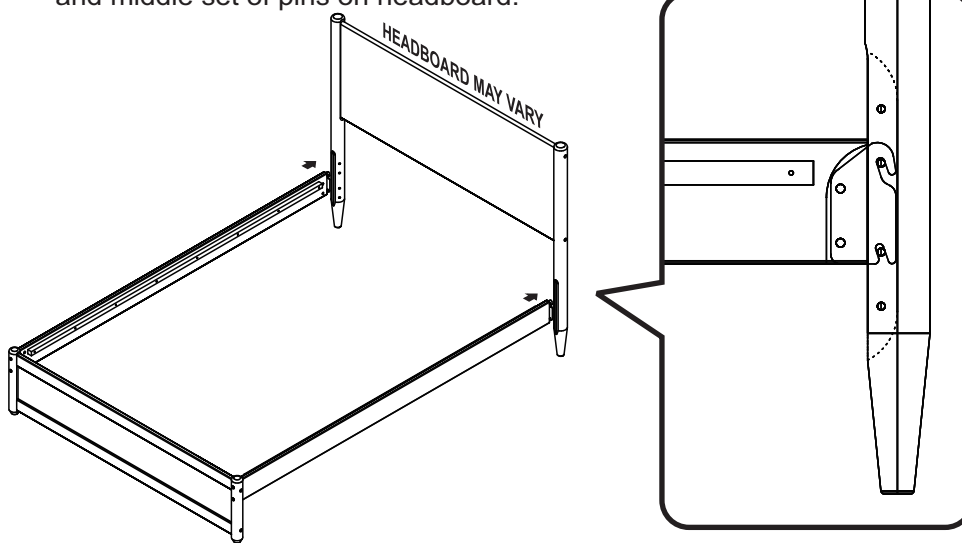
R-20334X R-20335X

# QUEEN, KING

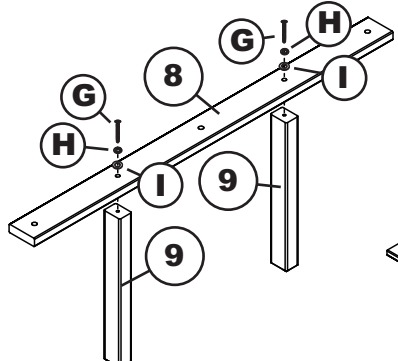
**Step 4** Attach left & right side rails (5)(6) to the footboard as shown below. Using JCB (A) and barrel nut (B) tighten with Allen wrench M4 (K).



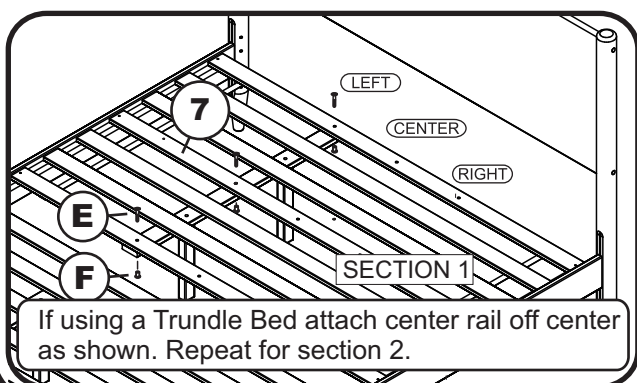
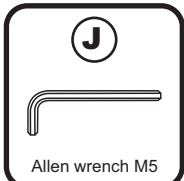
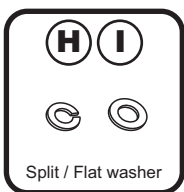
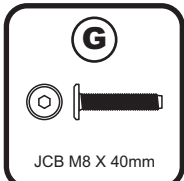
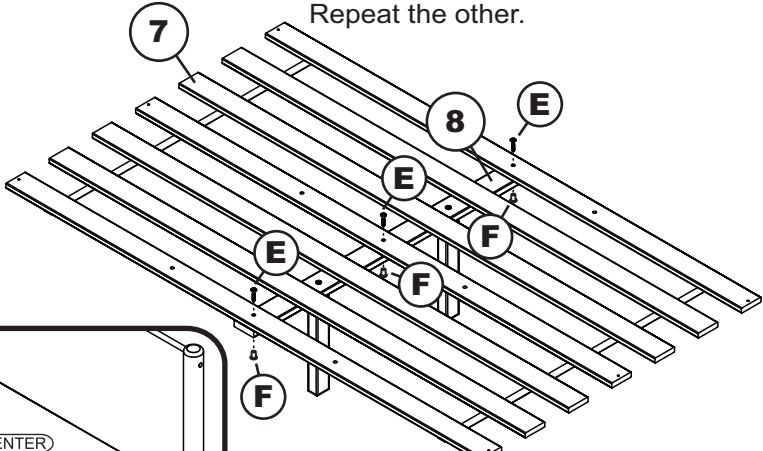
**Step 5** Attach the side rails to the headboard as shown using the bed hooks and middle set of pins on headboard.



**Step 6** Attach support legs (9) to support rail (8) as shown below using JCB M8 X 40mm (G) split and flat washer (H)(I) tighten with Allen wrench M5 (J). Repeat the other.



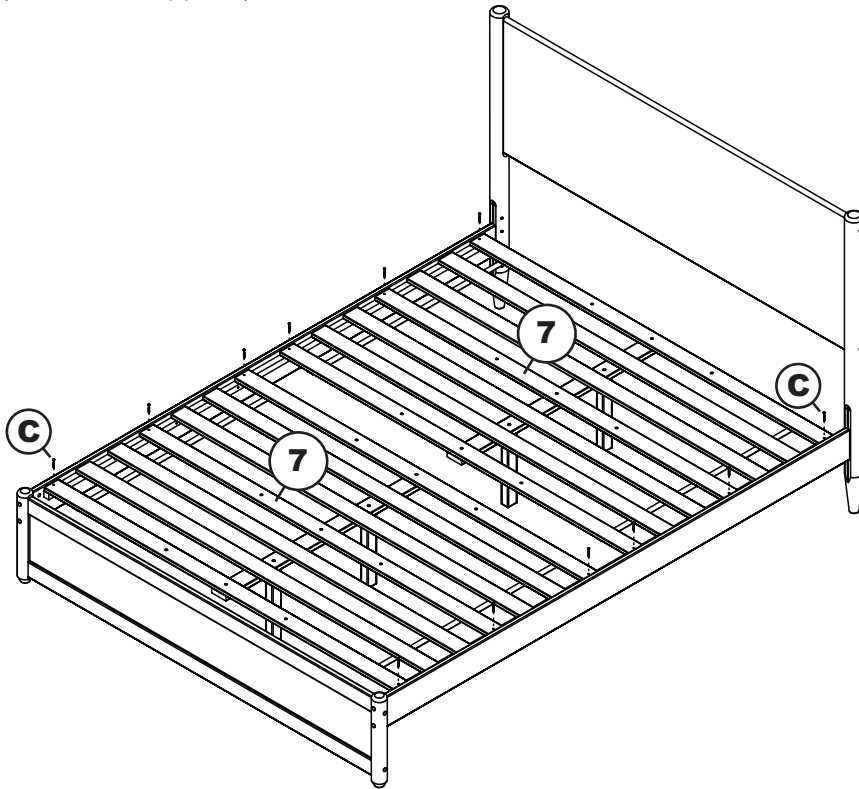
**Step 7** Attach slat support (8) to the slat kit (7) as shown below using JCB M6 X 30mm (E) and cap nut (F). Tighten with Allen wrench M4 (K). Repeat the other.



## QUEEN, KING

### Step 8

Attach slat kit (7) onto the bed. Using wood screw (C) tighten with Phillips head screwdriver. (Customer supplied)



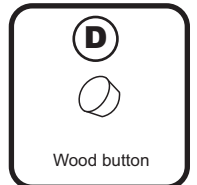
Adult assembly

### Step 9

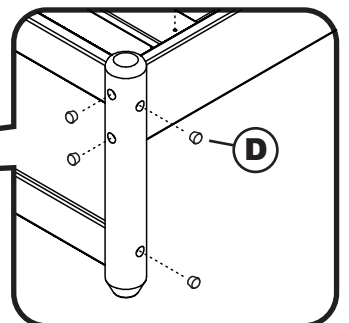
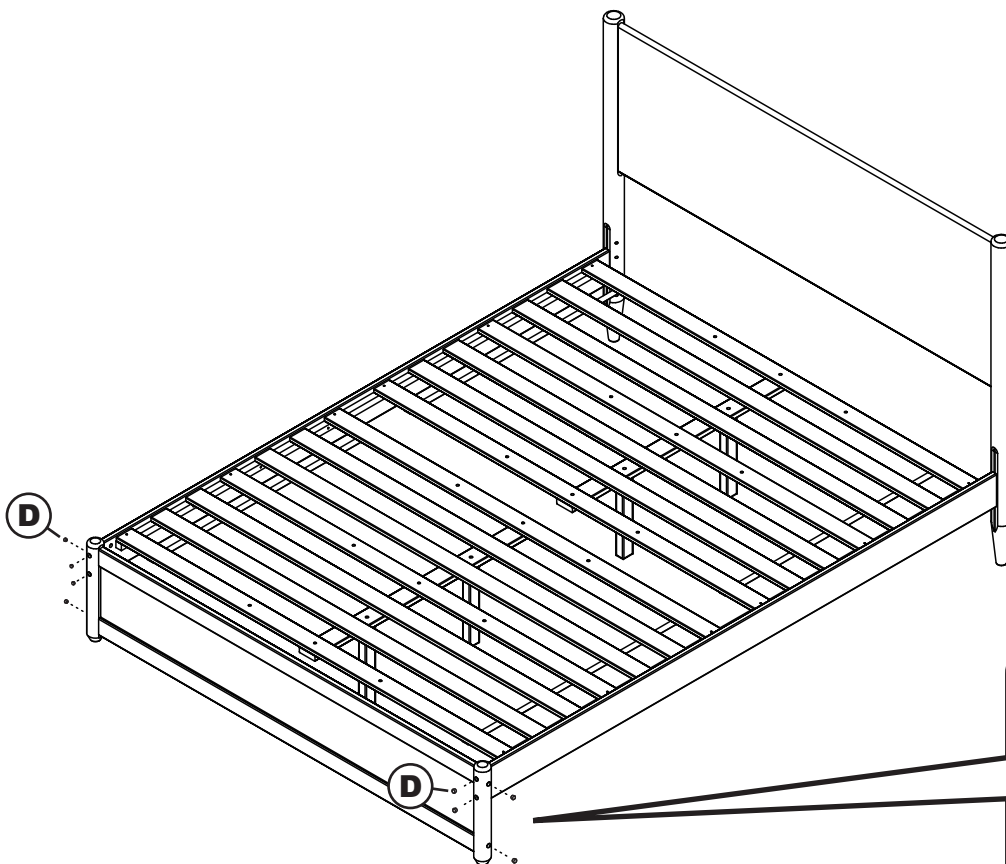
Lastly, cover holes with wood button (D).



Wood screw 1 1/4"



Wood button



**Congratulations!**

Your bed is now ready for use.

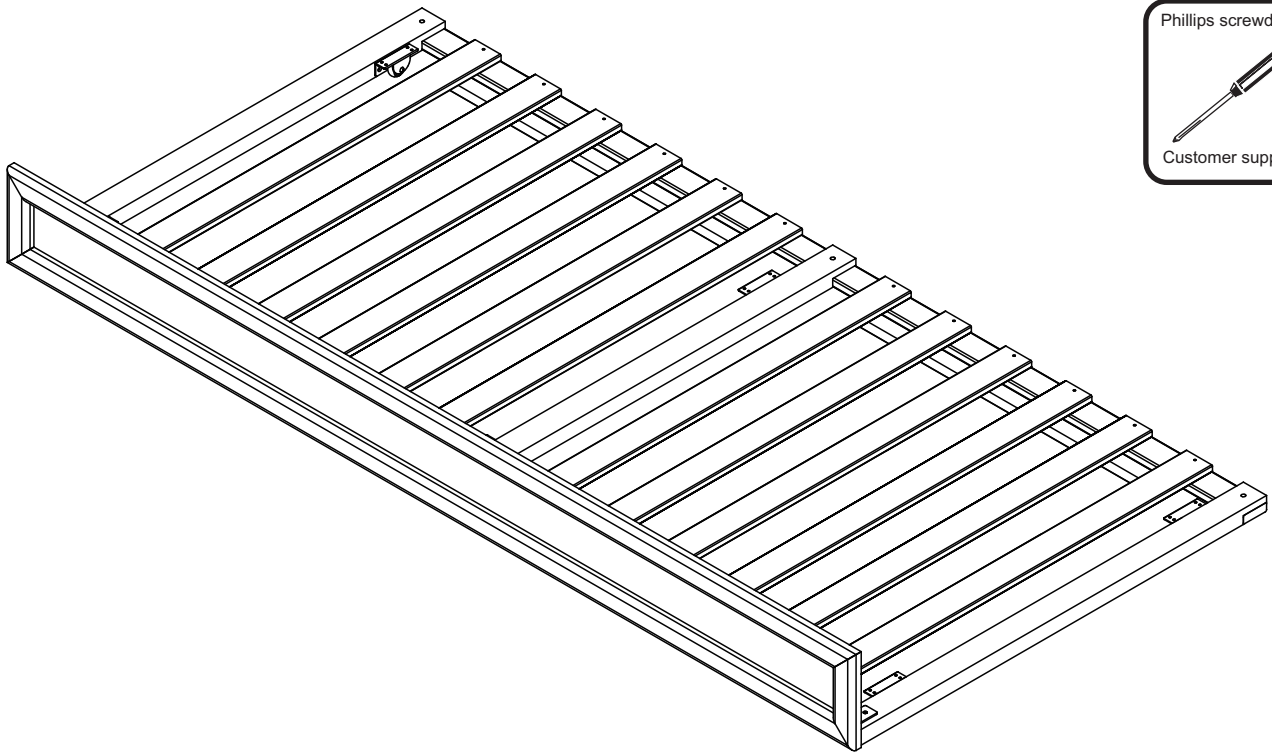
We recommend that you periodically recheck that all screws are tight to ensure lasting safety.

## TWIN XL ASSEMBLY INSTRUCTIONS

Before assembling your Trundle bed, please read through these instructions carefully. Familiarize yourself with the different parts.



**ATTENTION!** If you receive a damaged or defective item, please contact afifurnishings at [customerservice@afifurnishings.com](mailto:customerservice@afifurnishings.com) or 1-800-955-3726

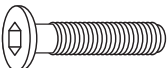


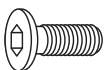
CODE	ITEM
ST-TD-MCM	E-7121X

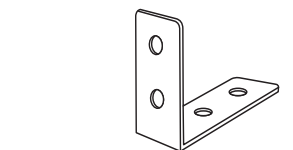
**PO :**

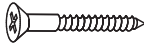
## HARDWARE

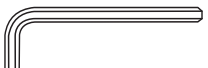
NOTE: WE INCLUDE SPARE HARDWARE IN CASE DAMAGE OCCURS DURING ASSEMBLY.

**A**  JCB M6 X 1 1/4" ( 30mm ) - 3 pcs  
Spare - 1 pc

**B**  JCB M6 X 5/8" ( 15mm ) - 8 pcs  
Spare - 1 pc



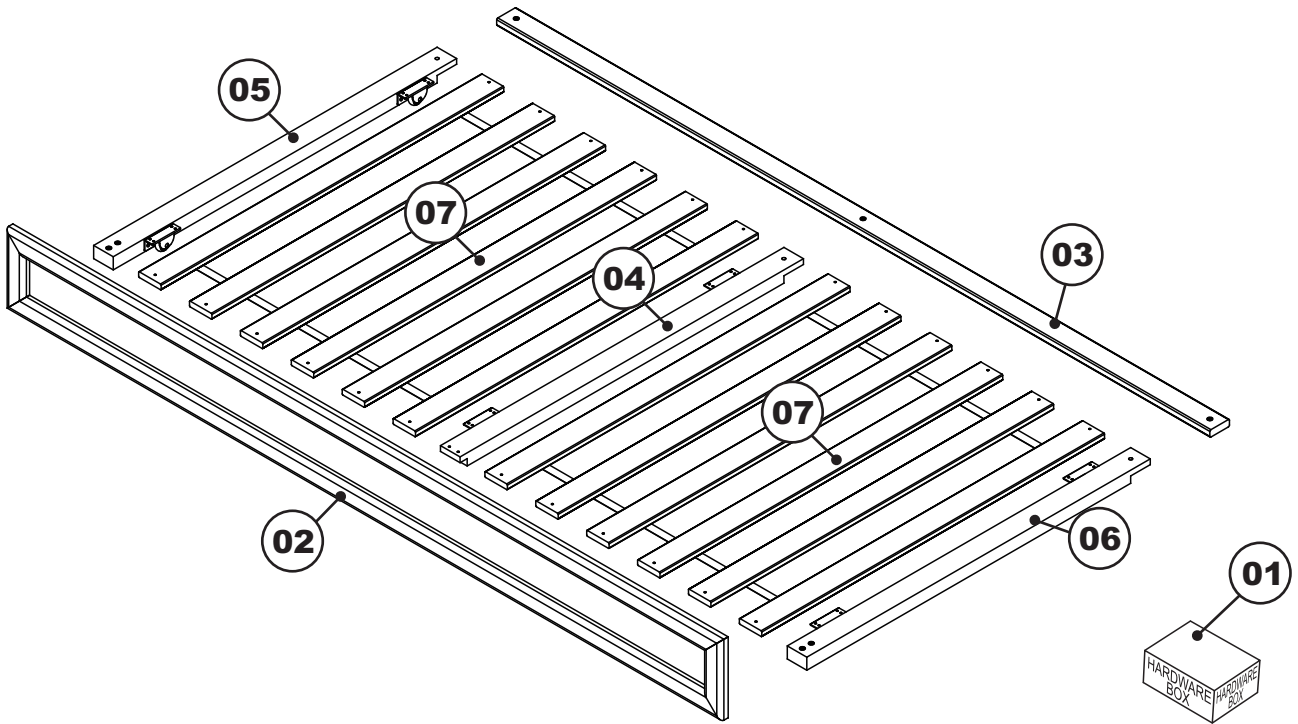
**D**  Wood screw 1 1/4" - 26 pcs  
Spare - 2 pcs

**E**  Allen wrench - 1 pc  
Spare - 1 pc

TWIN XL

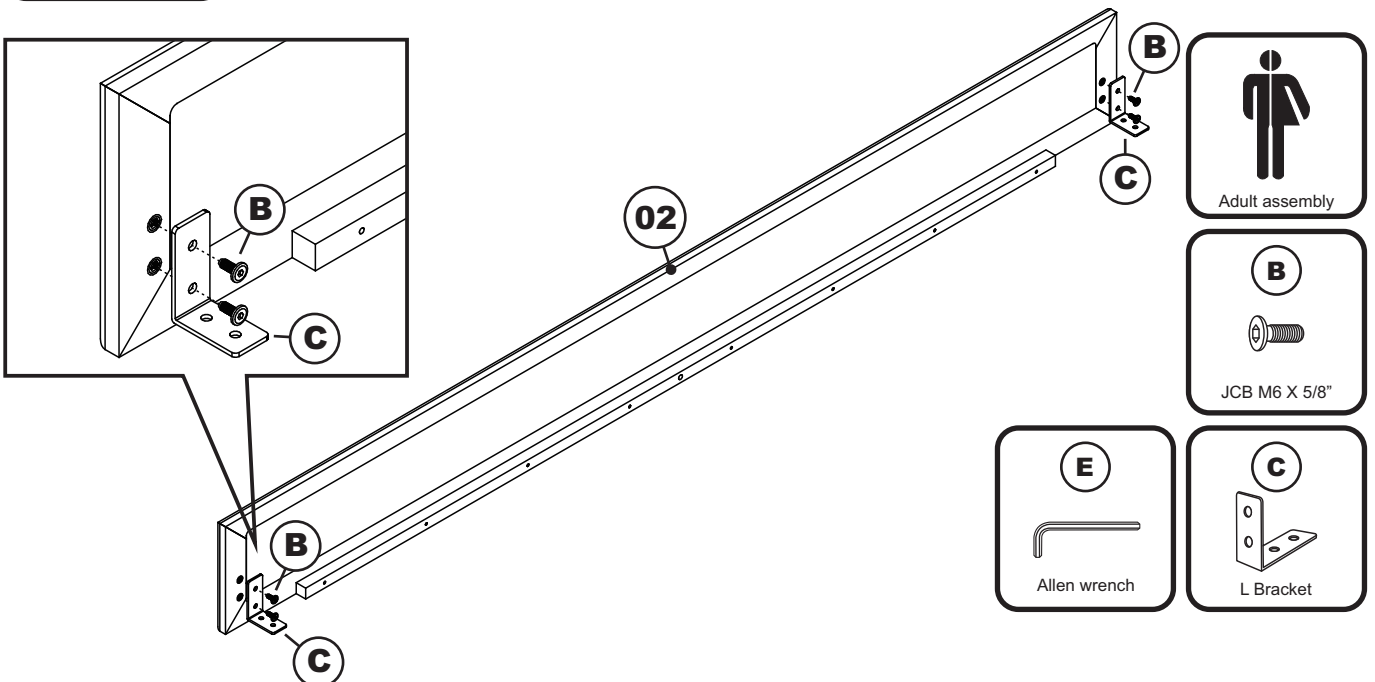
**PARTS LIST**

<b>01</b>	<b>HARDWARE</b>	<b>1 BOX</b>	<b>05</b>	<b>LEFT RAIL</b>	<b>1 PC</b>
<b>02</b>	<b>FRONT PANEL</b>	<b>1 PC</b>	<b>06</b>	<b>RIGHT RAIL</b>	<b>1 PC</b>
<b>03</b>	<b>BACK RAIL</b>	<b>1 PC</b>	<b>07</b>	<b>SLAT KIT WITH WEBBING</b>	<b>2 SETS</b>
<b>04</b>	<b>MID RAIL</b>	<b>1 PC</b>			



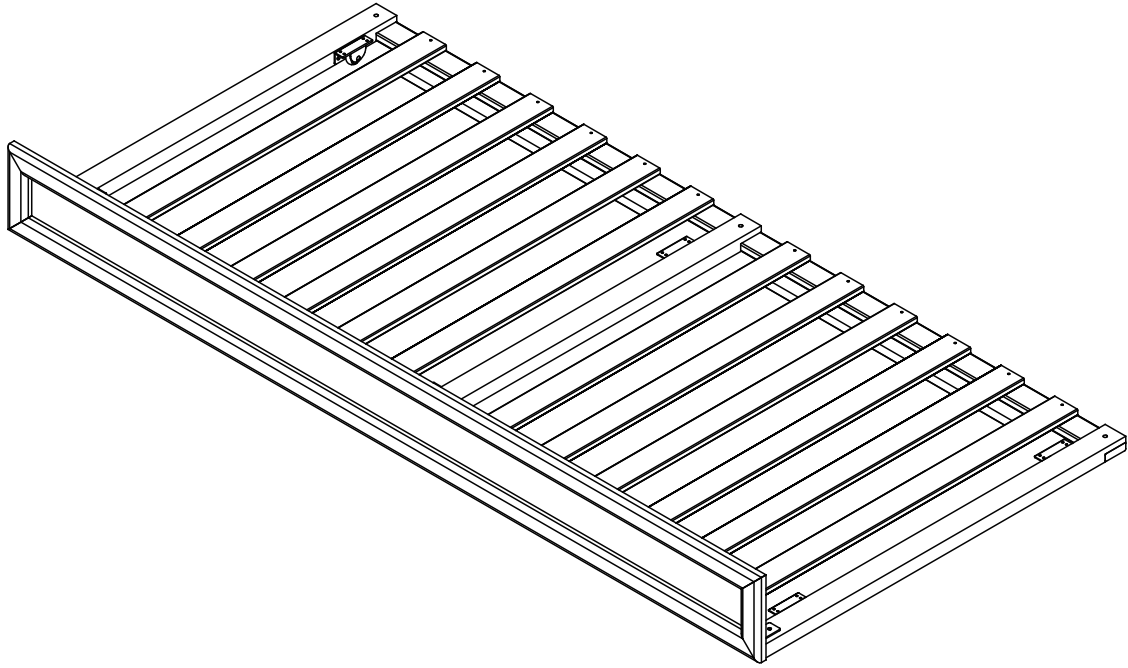
**Step 1**

Attach L bracket (C) to the front panel (02) using JCB M6 X 5/8" (B). Tighten with the Allen wrench (E).





## TWIN XL



### **Congratulations!**

Your Trundle bed is now ready for use.  
We recommend that you periodically check that all screws are tight  
and all parts are secure to ensure lasting safety.

**Step 4** Lastly, Insert Trundle bed to the bed as shown below.

