

## ASSEMBLY INSTRUCTIONS

Before assembling your headboard, please read through these instructions carefully and familiarize yourself with the different parts.

**ATTENTION!** If you receive a damaged or defective item, please contact afifurnishings at [customerservice@afifurnishings.com](mailto:customerservice@afifurnishings.com) or 1-800-955-3726



### PARTS LIST

- 1 HEADBOARD PANEL 1 PC
- 2 LEFT LEG 1 PC
- 3 RIGHT LEG 1 PC
- 4 PACKING STICK 2 PCS

Instructions apply for bed sizes  
TWIN > FULL

### HARDWARE

- A JCB M6 X 120mm (4 3/4") - 4 pcs  
Spare - 1 pc
- B Barrel nut - 4 pcs  
Spare - 1 pc
- C Wood button - 4 pcs  
Spare - 1 pc
- G Allen wrench - 1pc  
Spare - 1pc

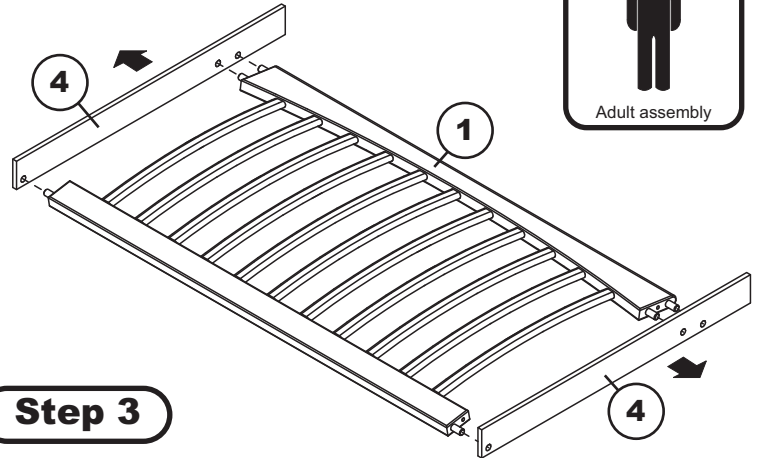
### HARDWARE FOR METAL BED FRAME

- D JCB M6 X 25mm (1") - 4 pcs  
Spare - 1 pc
- E Flat washer - 4 pcs  
Spare - 1 pc
- F Split washer - 4 pcs  
Spare - 1 pc

NOTE: WE INCLUDE SPARE HARDWARE IN CASE DAMAGE OCCURS DURING ASSEMBLY.

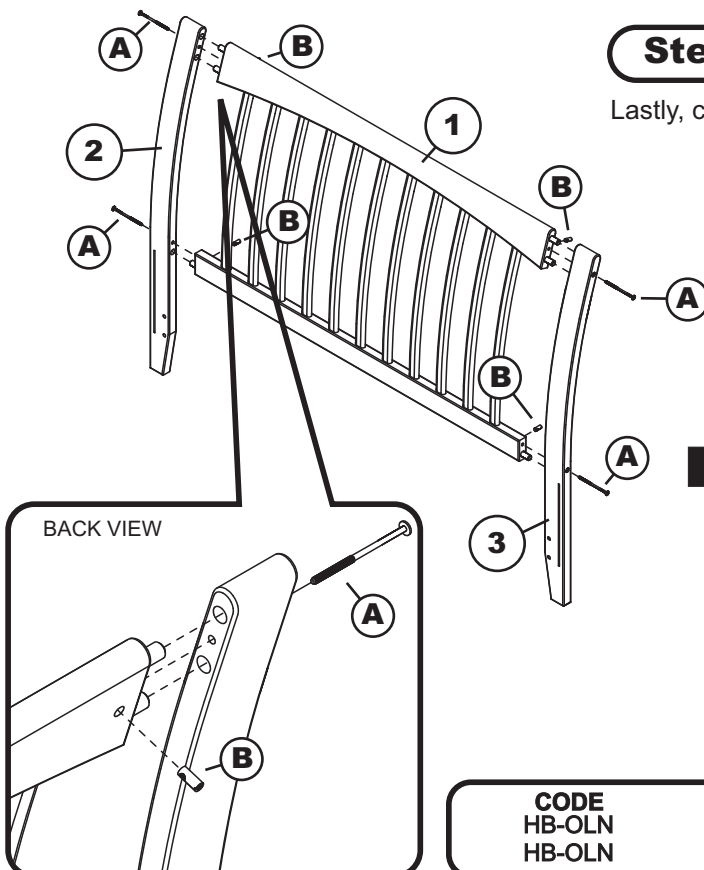
### Step 1

Remove packing stick (4) from headboard panel (1) and **DISCARD**.



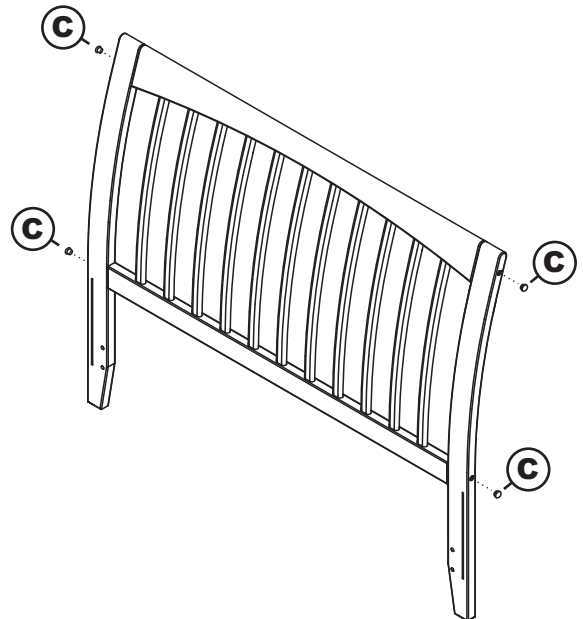
### Step 2

Attach the legs (2) and (3) to headboard panel (1), using JCB (A) and barrel nut (B). Tighten with the Allen wrench (G).



### Step 3

Lastly, cover holes with wood button (C).



CODE  
HB-OLN  
HB-OLN

ITEM  
R-29282X  
R-29283X

PO:

If you purchased a wood headboard to attach to metal bed frame, please refer to page 2.

**ASSEMBLY INSTRUCTIONS**

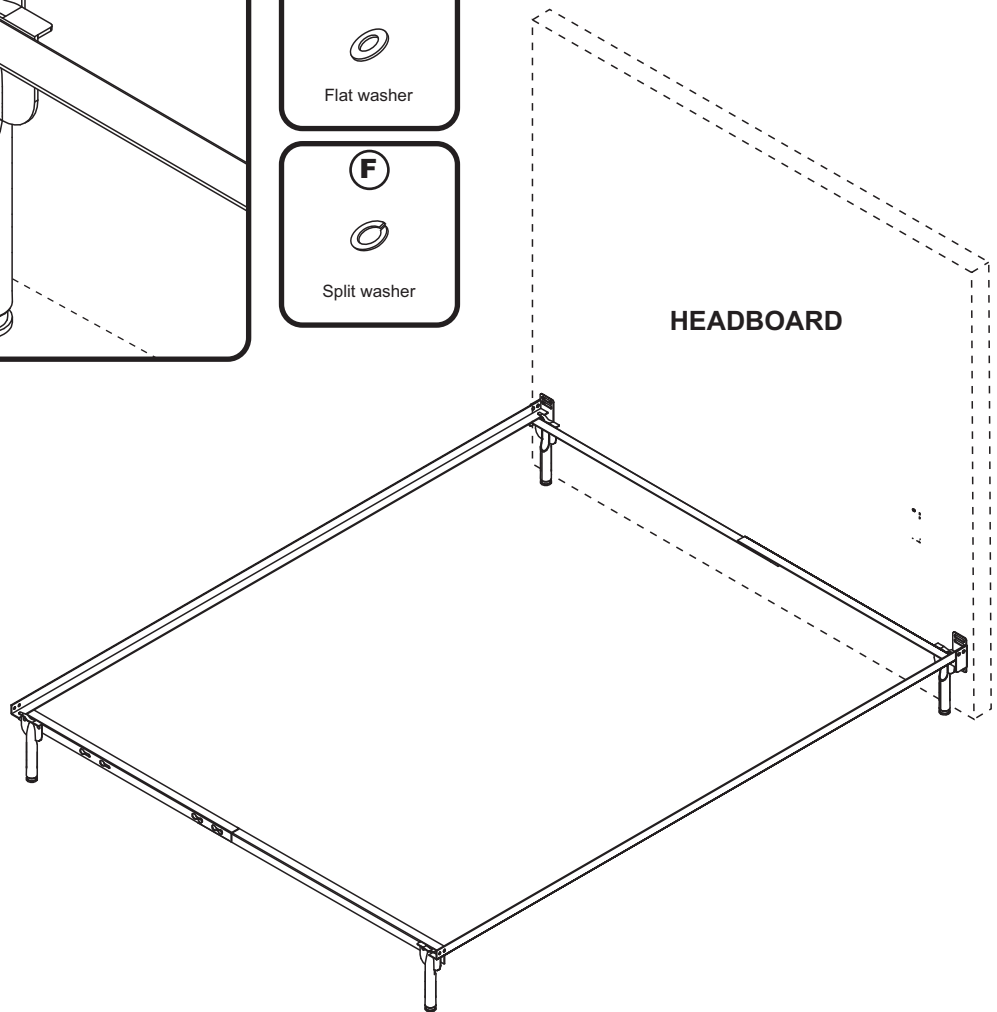
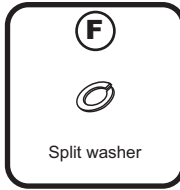
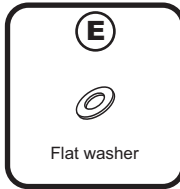
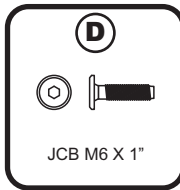
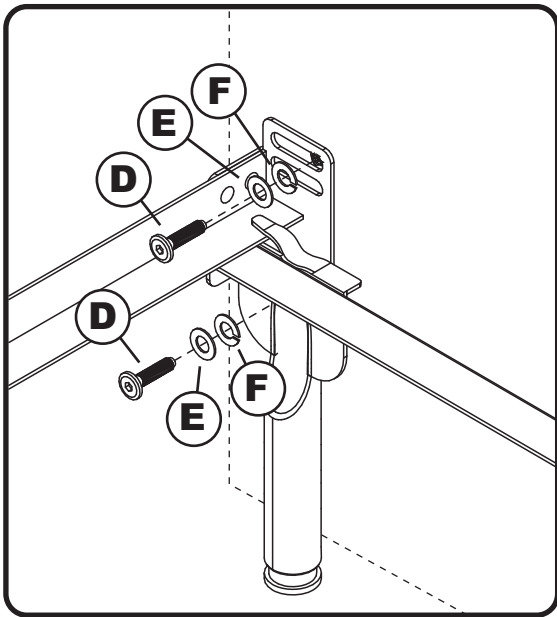
Before assembling your bed, please read through these instructions carefully and familiarize yourself with the different parts.

Instructions apply for bed sizes  
**TWIN > FULL > QUEEN > KING**



Metal bed frames are sold separately from wood headboards. The hardware shown on this page is supplied with your wood headboard for attaching the bed frame to the headboard. The metal bed frame is supplied with its own assembly instructions and hardware.

**Step 1** Attach the headboard assembly to the metal frame using JCB (D), flat washer (E), and split washer (F) then tighten with Allen wrench (G), as shown below.



**Congratulations!**

Your bed is now ready for use.  
To ensure lasting safety, we recommend that you periodically check that all screws are tight and all parts are secure.

## TWIN

### ASSEMBLY INSTRUCTIONS

Before assembling your bed frame, please read through these instructions carefully and familiarize yourself with the different parts.



**ATTENTION!** If you receive a damaged or defective item, please contact afifurnishings at customerservice@afifurnishings.com or 1-800-955-3726

#### PARTS LIST

- |   |                 |       |
|---|-----------------|-------|
| ① | LEFT LEG        | 1 PC  |
| ② | RIGHT LEG       | 1 PC  |
| ③ | TOP/BOTTOM RAIL | 2 PCS |
| ④ | FB PANEL        | 1 PC  |
| ⑤ | LEFT SIDE RAIL  | 1 PC  |
| ⑥ | RIGHT SIDE RAIL | 1 PC  |
| ⑦ | SLAT KIT        | 2 SET |

#### HARDWARE

- |   |  |   |                                      |
|---|--|---|--------------------------------------|
| Ⓐ | JCB M6 X 80mm (3 1/8") - 8 pcs<br>Spare - 1 pc | Ⓓ | Wood button - 8 pcs<br>Spare - 1 pc  |
| Ⓑ | Barrel nut - 8 pcs                             | Ⓔ | Allen wrench M4 - 1pc<br>Spare - 1pc |
| Ⓒ | Wood screw(1 1/4") - 12 pcs<br>Spare - 1 pc    |   |                                      |

NOTE: WE INCLUDE SPARE HARDWARE IN CASE DAMAGE OCCURS DURING ASSEMBLY.

#### Step 1

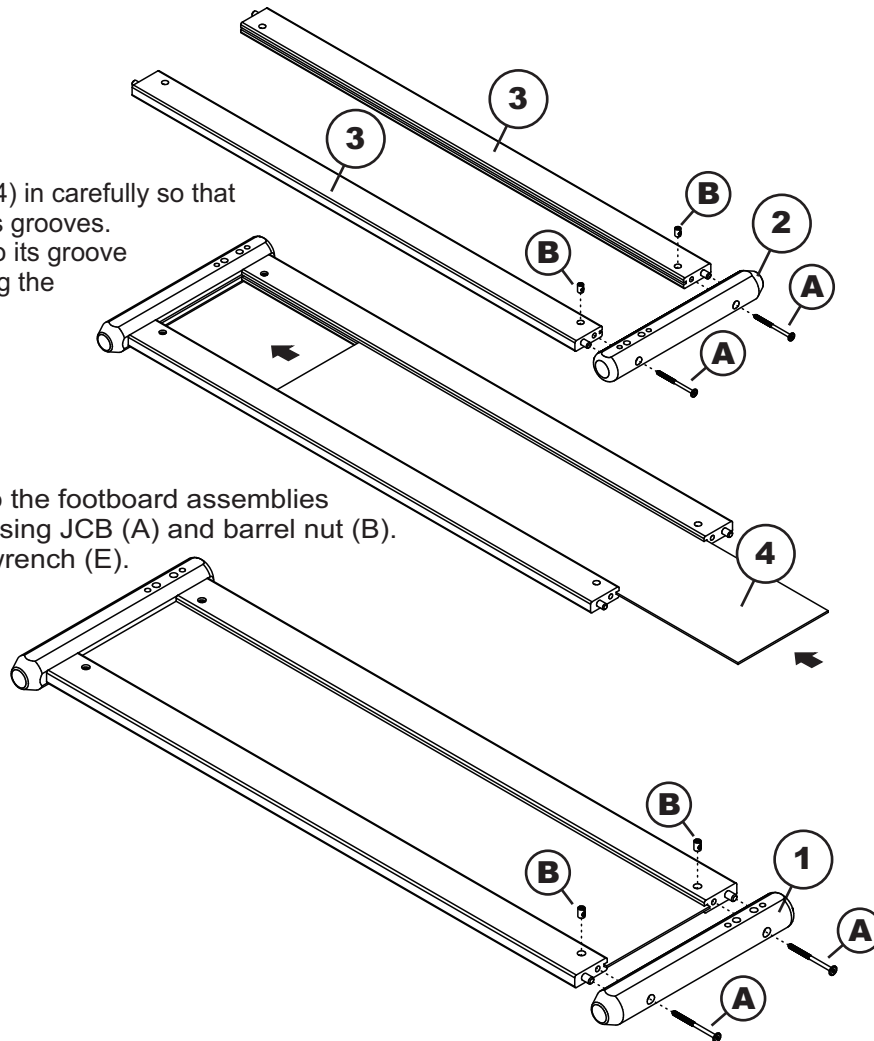
Attach right leg (2) to top/bottom rail (3), using JCB (A) and barrel nut (B). Tighten with the Allen wrench (E).

#### Step 2

Guide the FB panel (4) in carefully so that it won't jump out of its grooves. Be sure it fits fully into its groove at the leg before fitting the left leg (1).

#### Step 3

Attach left leg (1) to the footboard assemblies as shown bellow. Using JCB (A) and barrel nut (B). Tighten with allen wrench (E).



Adult assembly

Ⓐ



JCB M6 X 80mm

Ⓑ



Barrel nut

Ⓔ



Allen wrench

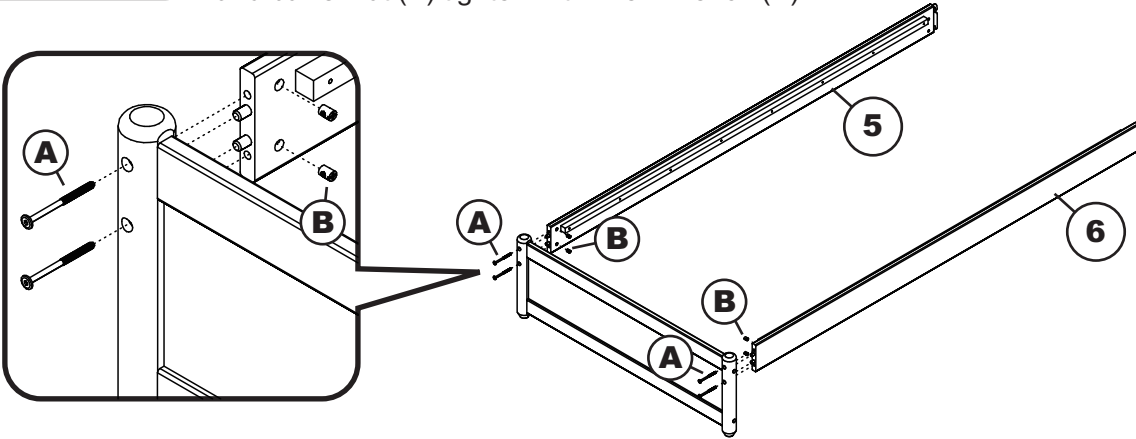
PO:

CODE	ITEM
FR-BRC-STP	R-20332X

# TWIN

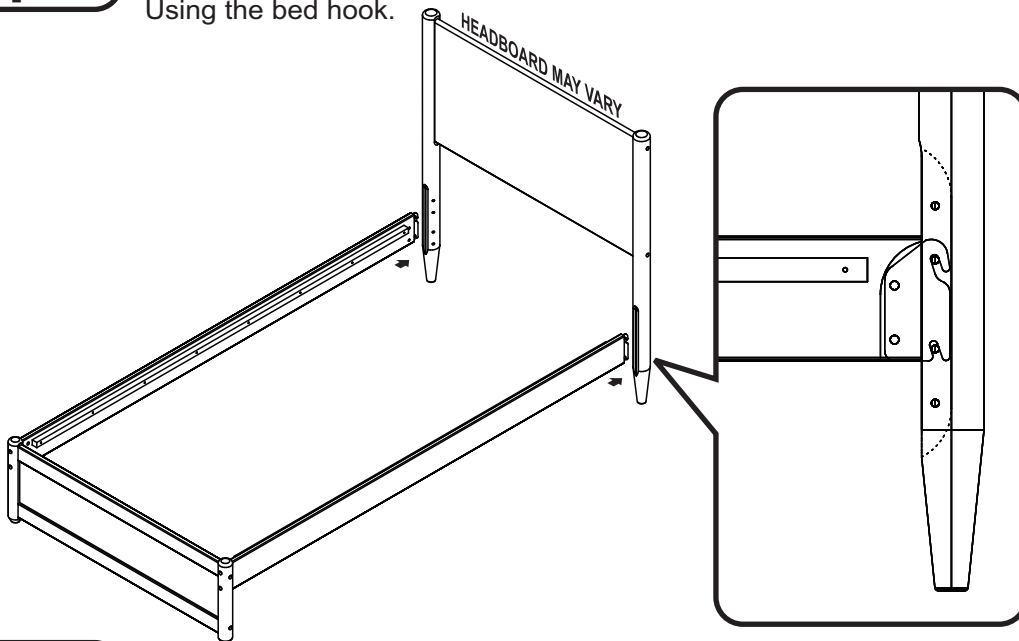
## Step 4

Attach left right side rails (5)(6) to the footboard as shown below. Using JCB (A) and barrel nut (B) tighten with Allen wrench (E).



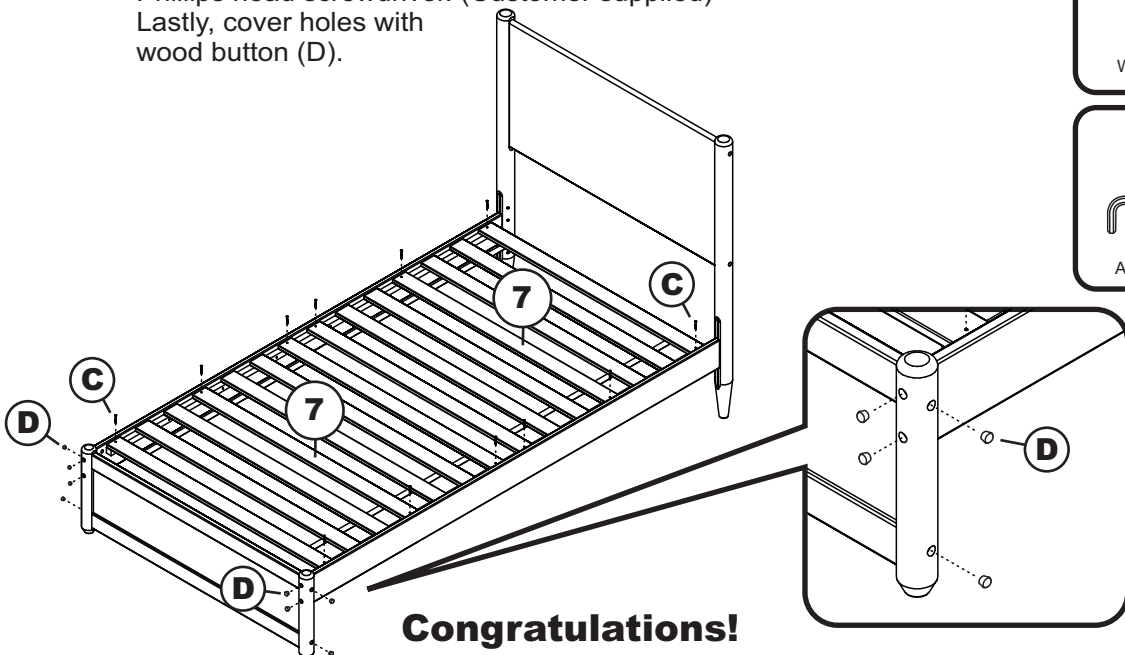
## Step 5

Attach the side rails to the headboard as shown below. Using the bed hook.



## Step 6

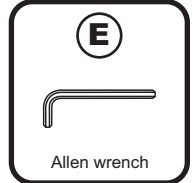
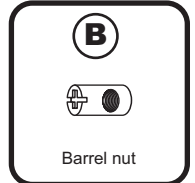
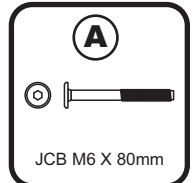
Attach slat kit (7) onto the bed. Using wood screw (C) tighten with Phillips head screwdriver. (Customer supplied)  
Lastly, cover holes with wood button (D).



**Congratulations!**

Your bed is now ready for use.

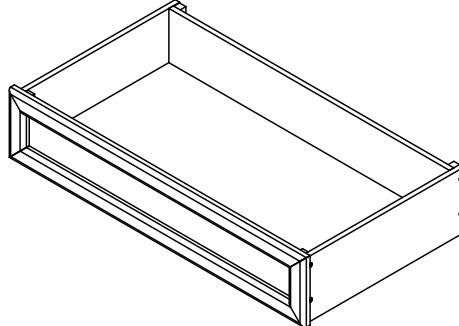
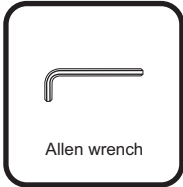
We recommend that you periodically recheck that all screws are tight to ensure lasting safety.



## ASSEMBLY INSTRUCTIONS

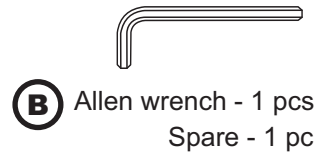
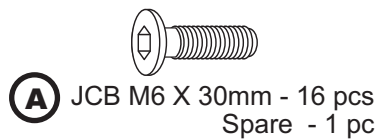
Before assembling your bed drawer, please read through these instructions carefully, familiarize yourself with the different parts.

**ATTENTION!** If you receive a damaged or defective item, please contact afifurnishings at [customerservice@afifurnishings.com](mailto:customerservice@afifurnishings.com) or 1-800-955-3726



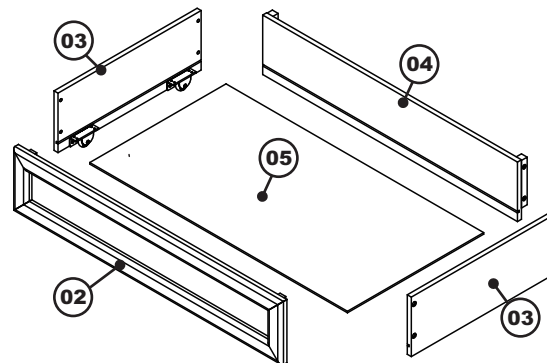
**NOTE: WE INCLUDE SPARE HARDWARE IN CASE DAMAGE OCCURS DURING ASSEMBLY.**

### HARDWARE



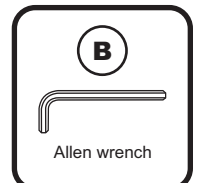
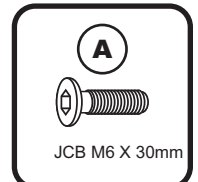
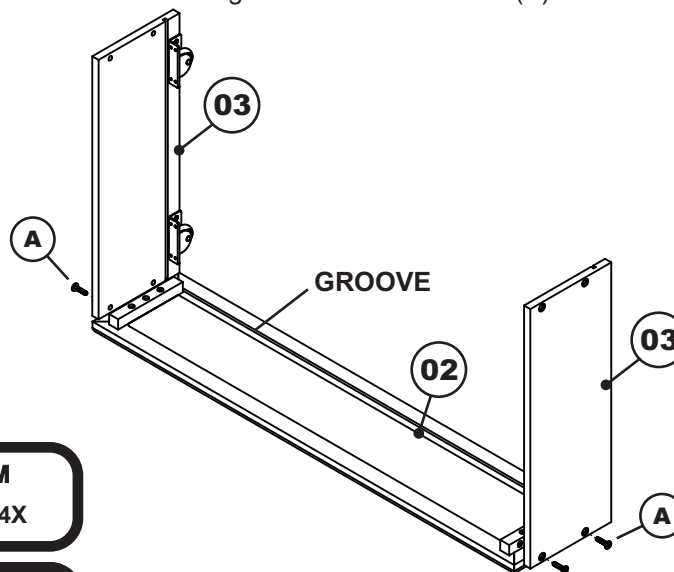
### PARTS LIST

<b>01</b>	<b>HARDWARE</b>	<b>1 BOX</b>
<b>02</b>	<b>DRAWER FACE</b>	<b>2 PCS</b>
<b>03</b>	<b>DRAWER SIDE</b>	<b>4 PCS</b>
<b>04</b>	<b>DRAWER BACK</b>	<b>2 PCS</b>
<b>05</b>	<b>DRAWER BOTTOM</b>	<b>2 PCS</b>



### Step 1

Lay the drawer face (02) on smooth, flat surface so the drawer bottom (05) groove is facing upwards. Attach the drawer sides (03) to drawer face (02) using JCB M6 X 30mm (A). Align groove inside drawer side with groove in drawer face. Tighten with Allen wrench (B).

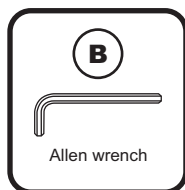
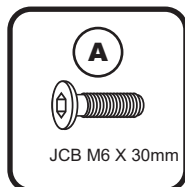
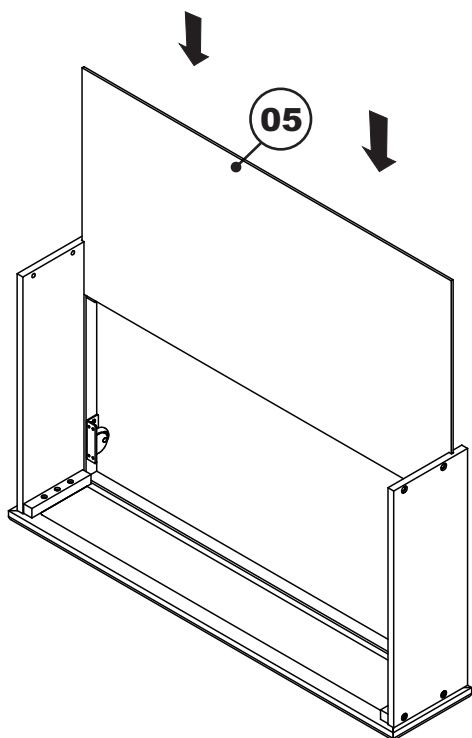


CODE	ITEM	ITEM
ST-DR2-MCM	E-7113X	E-7114X

**PO :**

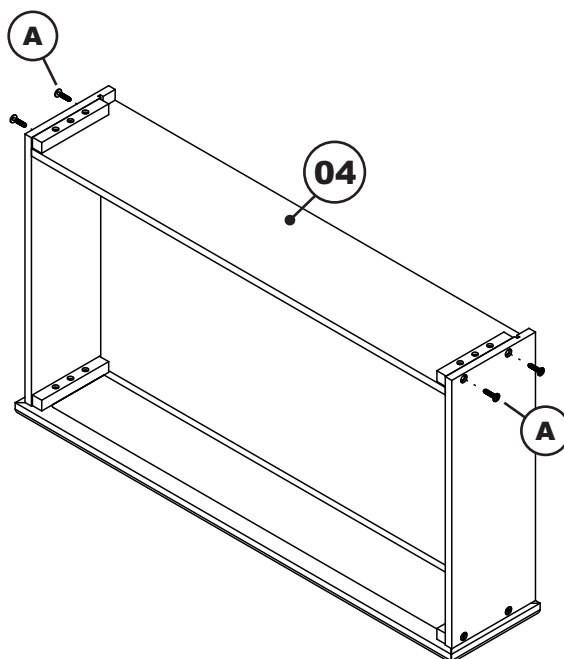
## Step 2

Guide the drawer bottom (05) in carefully so that it won't jump out of its grooves. Be sure it fits fully into its groove at the bottom (in the drawer face) before fitting the drawer back.



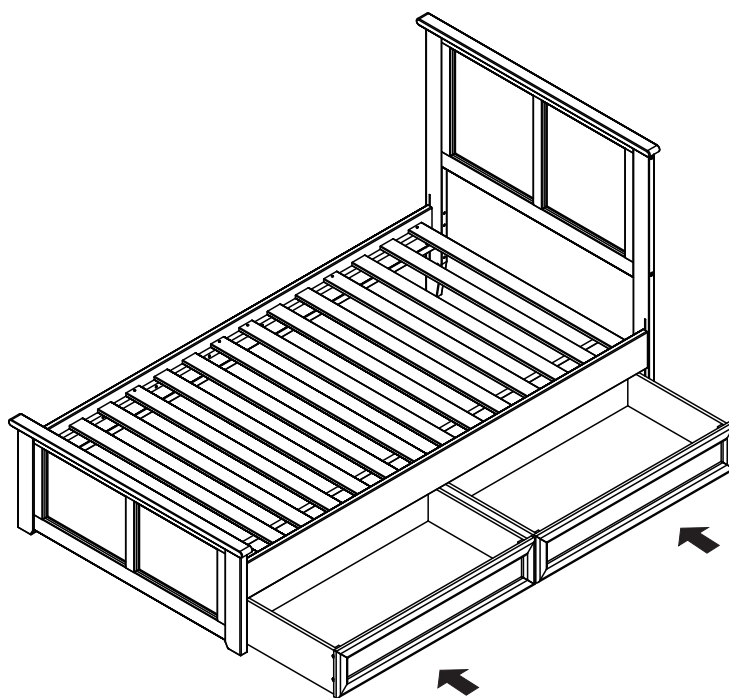
## Step 3

Attach drawer back (04) to bed drawer assembly as shown. Use JCB M6 X 30mm (A). Tighten with Allen wrench (B).



## Step 4

Lastly, insert bed drawer to the bed as shown below.



**Congratulations!**

Your bed drawer is now ready for use.  
We recommend that you periodically recheck that all screws are tight to ensure lasting safety.