

ASSEMBLY INSTRUCTIONS

Before assembling your headboard, please read through these instructions carefully and familiarize yourself with the different parts.

ATTENTION! If you receive a damaged or defective item, please contact afifurnishings at customerservice@afifurnishings.com or 1-800-955-3726



PARTS LIST

- 1 HEADBOARD PANEL 1 PC
- 2 LEFT LEG 1 PC
- 3 RIGHT LEG 1 PC

Instructions apply for bed sizes
TWIN

HARDWARE

- A** Wooden dowel - 4 pcs
Spare - 1 pc
- B** JCB M6 X 40mm (1 1/2") - 6 pcs
Spare - 1 pc
- F** Allen wrench - 1 pc
Spare - 1 pc

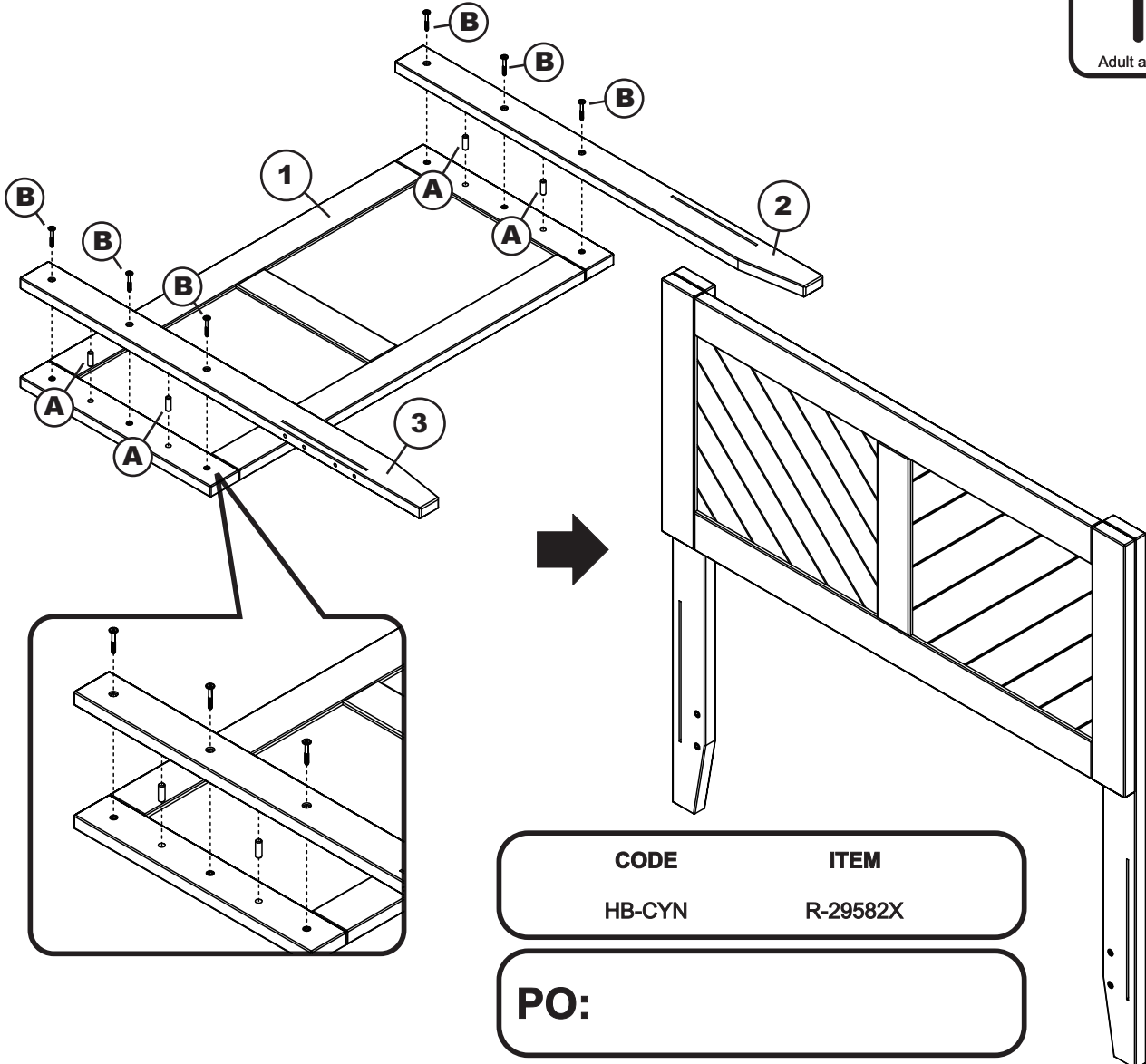
HARDWARE FOR METAL BED FRAME

- C** JCB M6 X 25mm (1") - 4 pcs
Spare - 1 pc
- D** Flat washer - 4 pcs
Spare - 1 pc
- E** Split washer - 4 pcs
Spare - 1 pc

NOTE: WE INCLUDE SPARE HARDWARE IN CASE DAMAGE OCCURS DURING ASSEMBLY.

Step 1

Attach the legs (2) and (3) to headboard panel (1), using wooden dowels (A) and JCB (B). Tighten with the Allen wrench (F).



If you purchased a wood headboard to attach to metal bed frame, please refer to page 2.

ATTACHING HEADBOARD TO METAL BED FRAME

ASSEMBLY INSTRUCTIONS

Before assembling your bed, please read through these instructions carefully and familiarize yourself with the different parts.

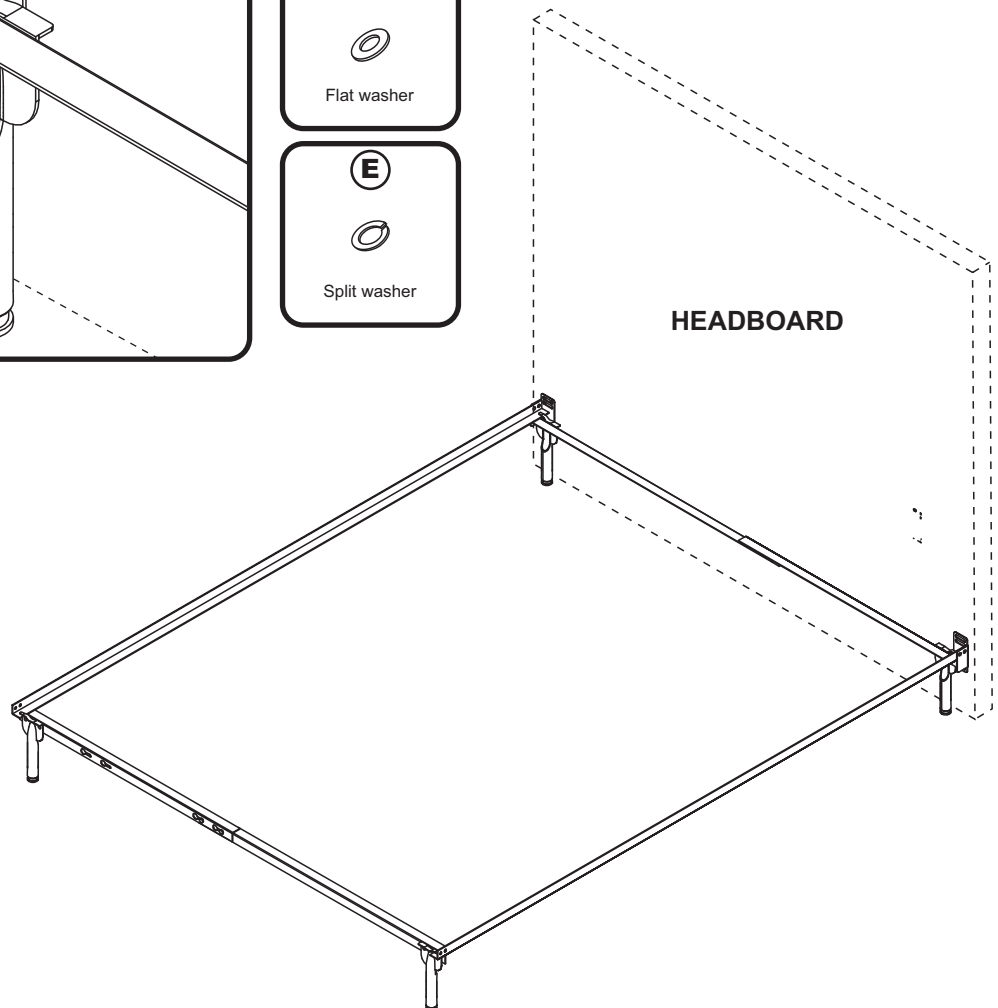
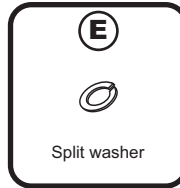
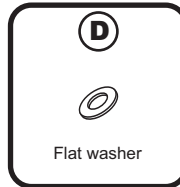
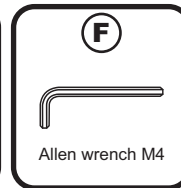
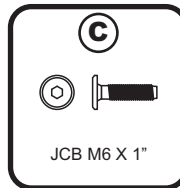
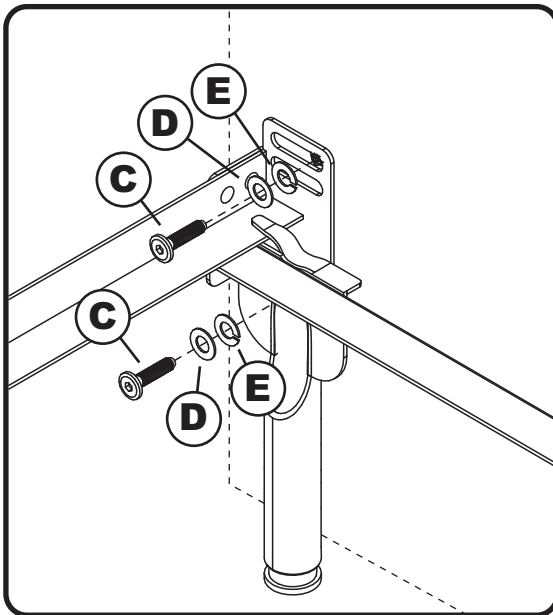
Instructions apply for bed sizes
TWIN > FULL > QUEEN > KING



Metal bed frames are sold separately from wood headboards. The hardware shown on this page is supplied with your wood headboard for attaching the bed frame to the headboard. The metal bed frame is supplied with its own assembly instructions and hardware.

Step 1

Attach the headboard assembly to the metal frame using JCB (C), flat washer (D), and split washer (E) then tighten with Allen wrench (F), as shown below.



Congratulations!

Your bed is now ready for use.

To ensure lasting safety, we recommend that you periodically check that all screws are tight and all parts are secure.

TWIN

ASSEMBLY INSTRUCTIONS

Before assembling your bed frame, please read through these instructions carefully and familiarize yourself with the different parts.



ATTENTION! If you receive a damaged or defective item, please contact afifurnishings at customerservice@afifurnishings.com or 1-800-955-3726

PARTS LIST

- | | | |
|---|-----------------|-------|
| ① | LEFT LEG | 1 PC |
| ② | RIGHT LEG | 1 PC |
| ③ | TOP/BOTTOM RAIL | 2 PCS |
| ④ | FB PANEL | 1 PC |
| ⑤ | LEFT SIDE RAIL | 1 PC |
| ⑥ | RIGHT SIDE RAIL | 1 PC |
| ⑦ | SLAT KIT | 2 SET |

HARDWARE

- | | | | |
|---|--|---|--------------------------------------|
| Ⓐ | JCB M6 X 80mm (3 1/8") - 8 pcs
Spare - 1 pc | Ⓓ | Wood button - 8 pcs
Spare - 1 pc |
| Ⓑ | Barrel nut - 8 pcs | Ⓔ | Allen wrench M4 - 1pc
Spare - 1pc |
| Ⓒ | Wood screw(1 1/4") - 12 pcs
Spare - 1 pc | | |

NOTE: WE INCLUDE SPARE HARDWARE IN CASE DAMAGE OCCURS DURING ASSEMBLY.

Step 1

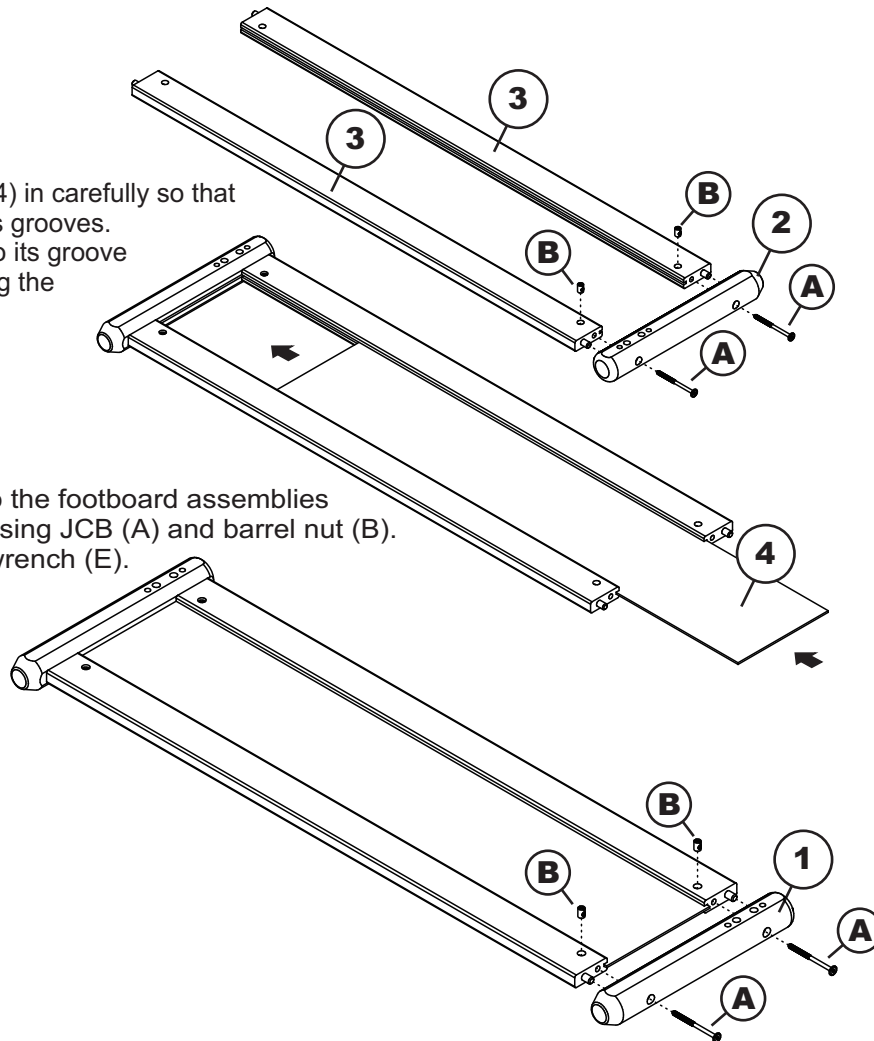
Attach right leg (2) to top/bottom rail (3), using JCB (A) and barrel nut (B). Tighten with the Allen wrench (E).

Step 2

Guide the FB panel (4) in carefully so that it won't jump out of its grooves. Be sure it fits fully into its groove at the leg before fitting the left leg (1).

Step 3

Attach left leg (1) to the footboard assemblies as shown bellow. Using JCB (A) and barrel nut (B). Tighten with allen wrench (E).



Adult assembly

Ⓐ



JCB M6 X 80mm

Ⓑ



Barrel nut

Ⓔ



Allen wrench

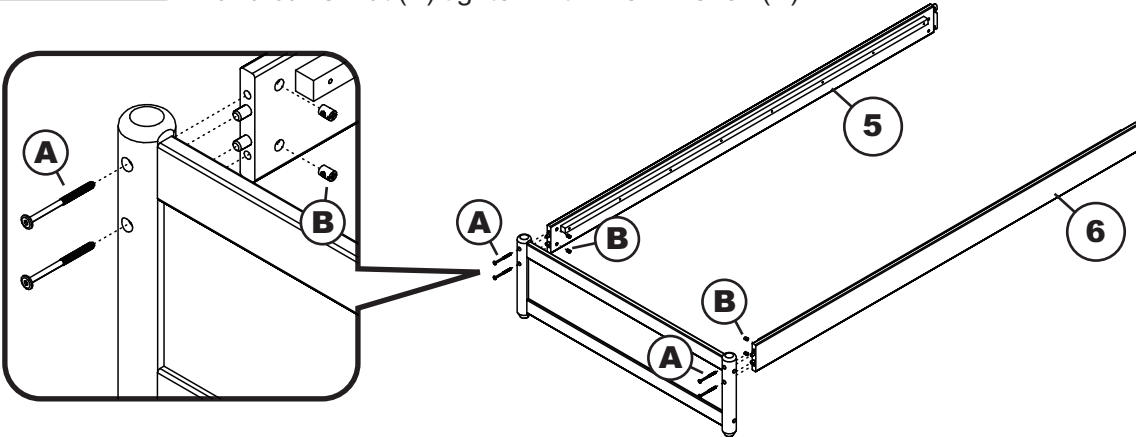
PO:

CODE	ITEM
FR-BRC-STP	R-20332X

TWIN

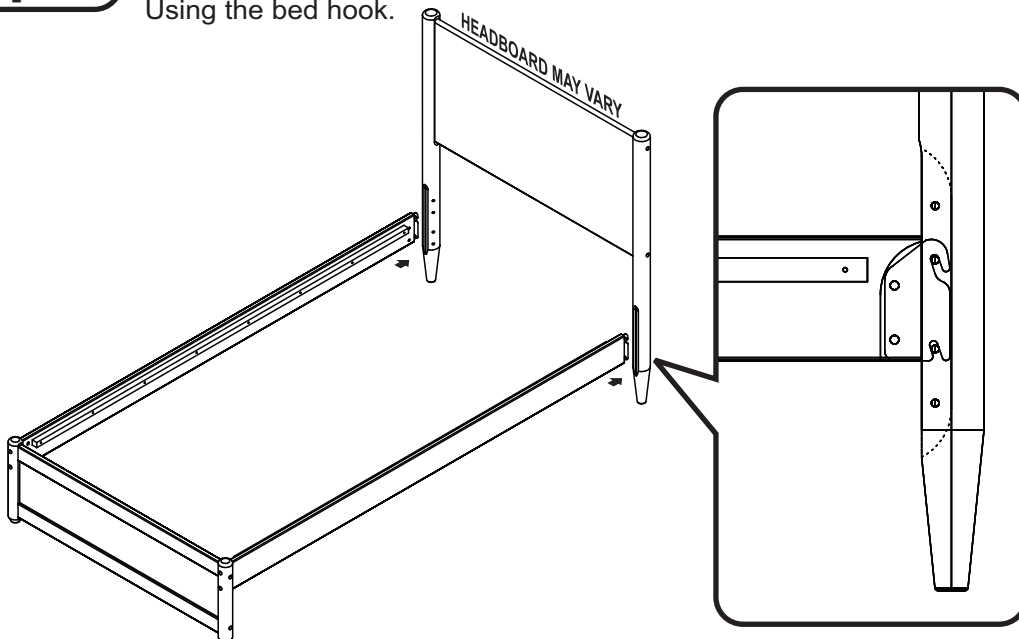
Step 4

Attach left right side rails (5)(6) to the footboard as shown below. Using JCB (A) and barrel nut (B) tighten with Allen wrench (E).



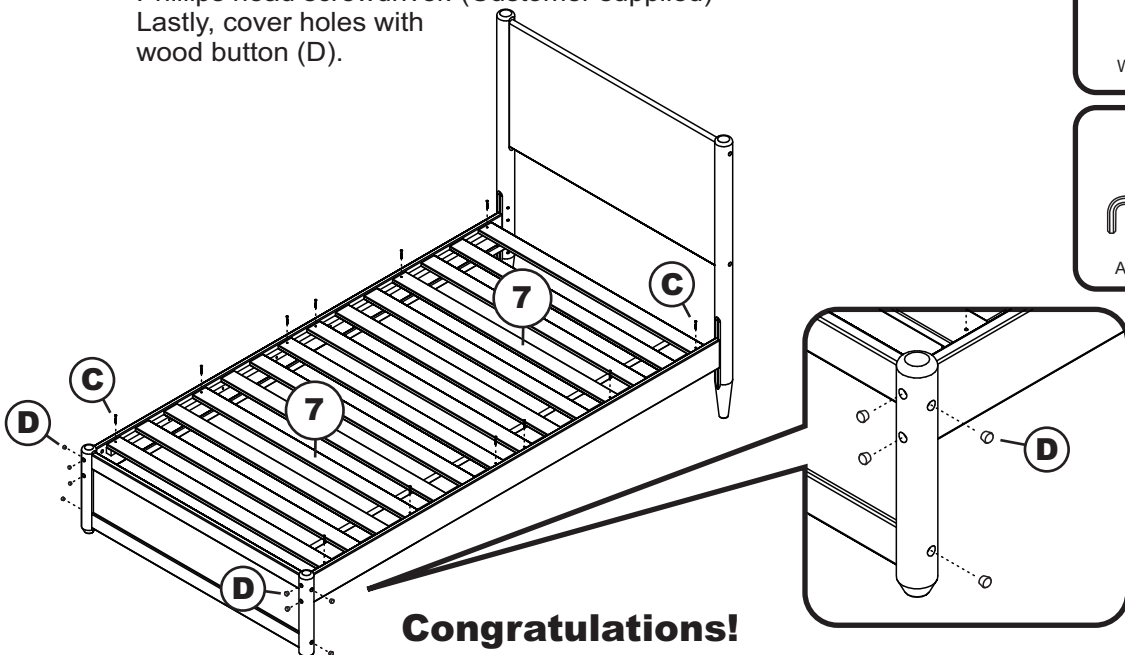
Step 5

Attach the side rails to the headboard as shown below. Using the bed hook.



Step 6

Attach slat kit (7) onto the bed. Using wood screw (C) tighten with Phillips head screwdriver. (Customer supplied)
Lastly, cover holes with wood button (D).



Congratulations!

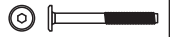
Your bed is now ready for use.

We recommend that you periodically recheck that all screws are tight to ensure lasting safety.



Adult assembly

A



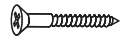
JCB M6 X 80mm

B



Barrel nut

C



Wood screw 1 1/4"

D



Wood button

E



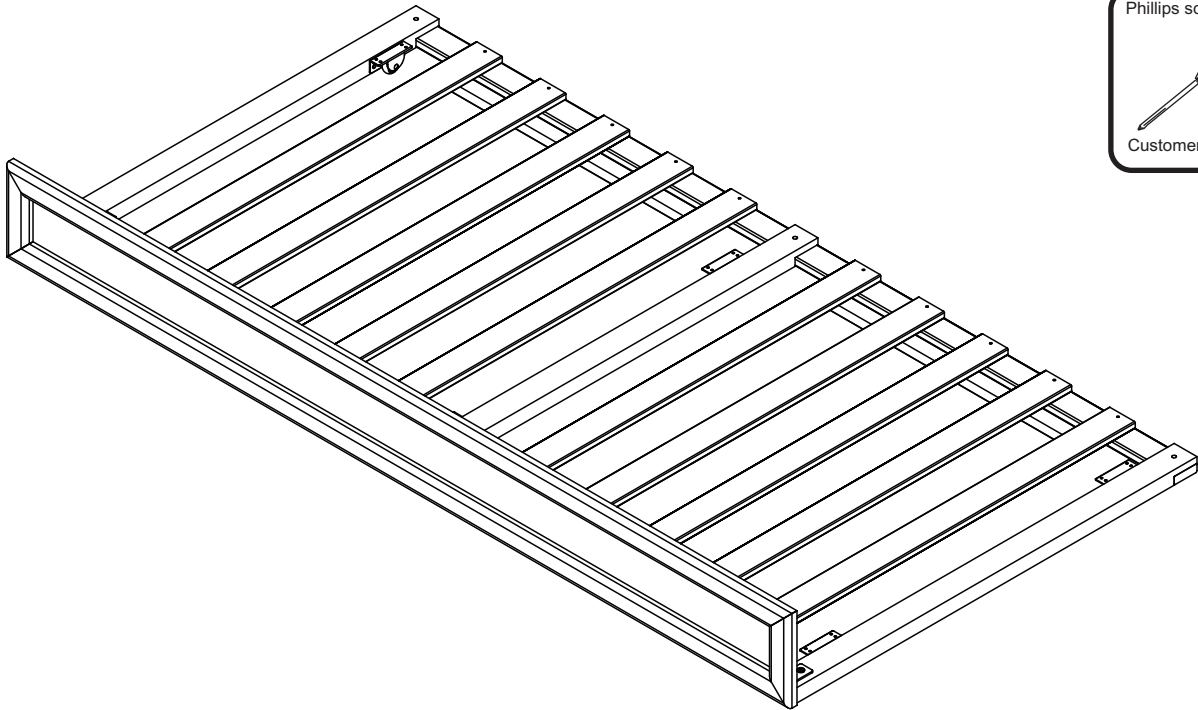
Allen wrench

TWIN ASSEMBLY INSTRUCTIONS

Before assembling your Trundle bed, please read through these instructions carefully. Familiarize yourself with the different parts.



ATTENTION! If you receive a damaged or defective item, please contact afifurnishings at customerservice@afifurnishings.com or 1-800-955-3726

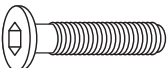


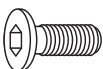
CODE	ITEM
ST-TD-MCM	E-7122X

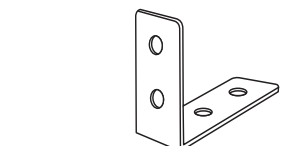
PO :

HARDWARE

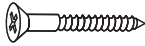
NOTE: WE INCLUDE SPARE HARDWARE IN CASE DAMAGE OCCURS DURING ASSEMBLY.

A  JCB M6 X 1 1/4" (30mm) - 3 pcs
Spare - 1 pc

B  JCB M6 X 5/8" (15mm) - 8 pcs
Spare - 1 pc



C L Bracket - 2 pcs

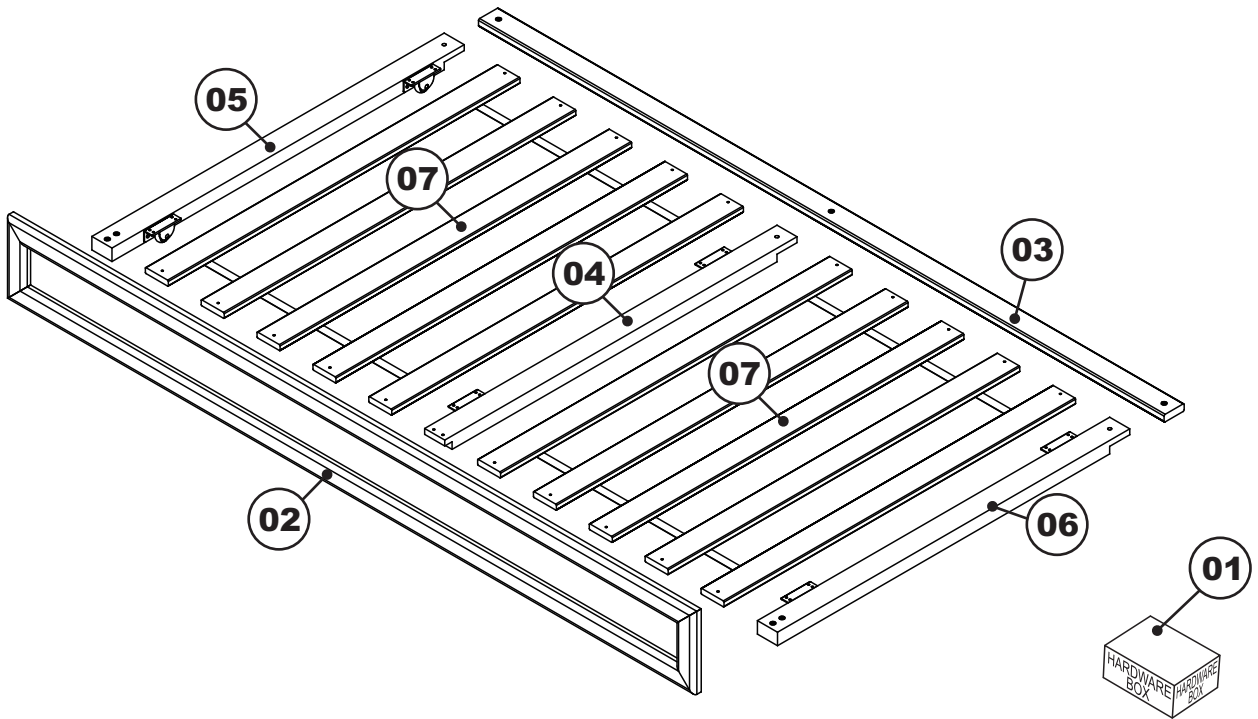
D  Wood screw 1 1/4" - 22 pcs
Spare - 2 pcs

E  Allen wrench - 1 pc
Spare - 1 pc

TWIN

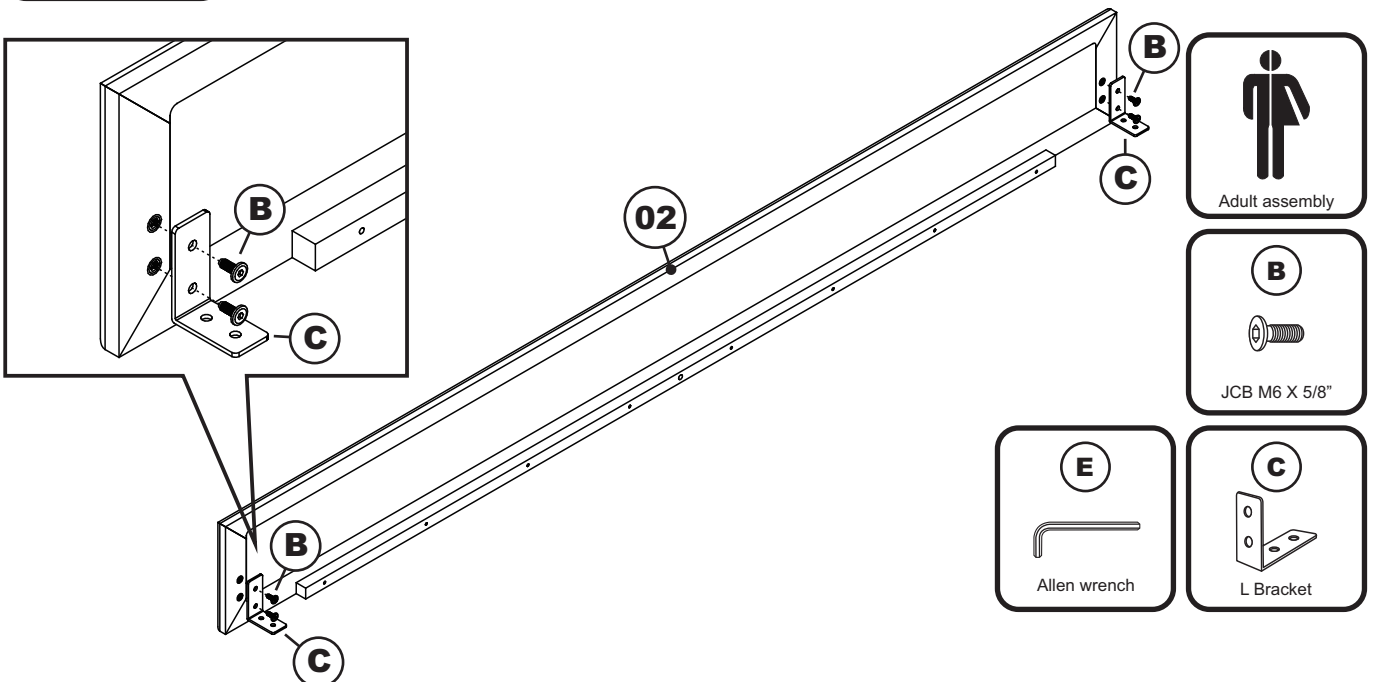
PARTS LIST

01	HARDWARE	1 BOX	05	LEFT RAIL	1 PC
02	FRONT PANEL	1 PC	06	RIGHT RAIL	1 PC
03	BACK RAIL	1 PC	07	SLAT KIT WITH WEBBING	2 SETS
04	MID RAIL	1 PC			



Step 1

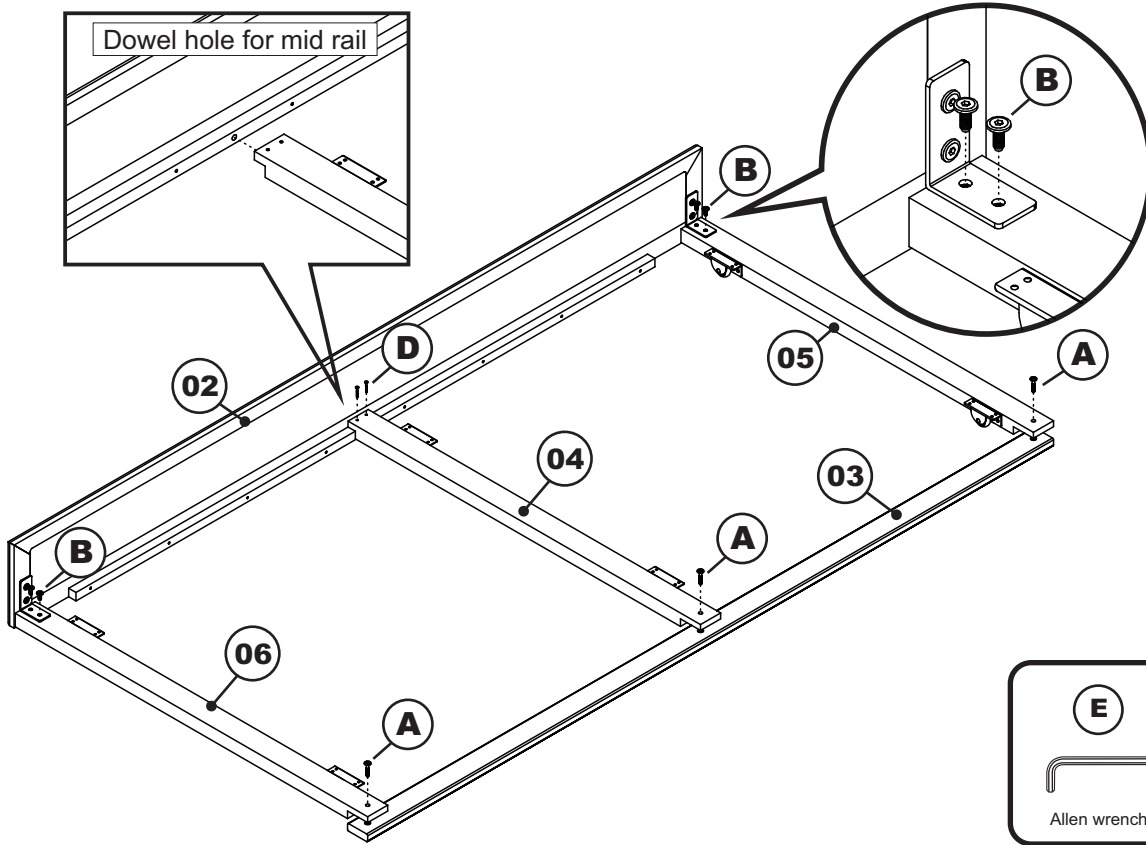
Attach L bracket (C) to the front panel (02) using JCB M6 X 5/8" (B). Tighten with the Allen wrench (E).



TWIN

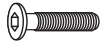
Step 2

Attach the left, right and mid rail (05)(06)(04) to the front panel (02) and back rail (03) as shown, using JCB M6 X 5/8" (B) M6 X 1 1/4" (A). Tighten with the Allen wrench (E). Using wood screw 1 1/4" (D) tighten with Phillips head screwdriver. (customer supplied)



Adult assembly

A



JCB M6 X 1 1/4"

B



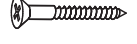
JCB M6 X 5/8"

E



Allen wrench

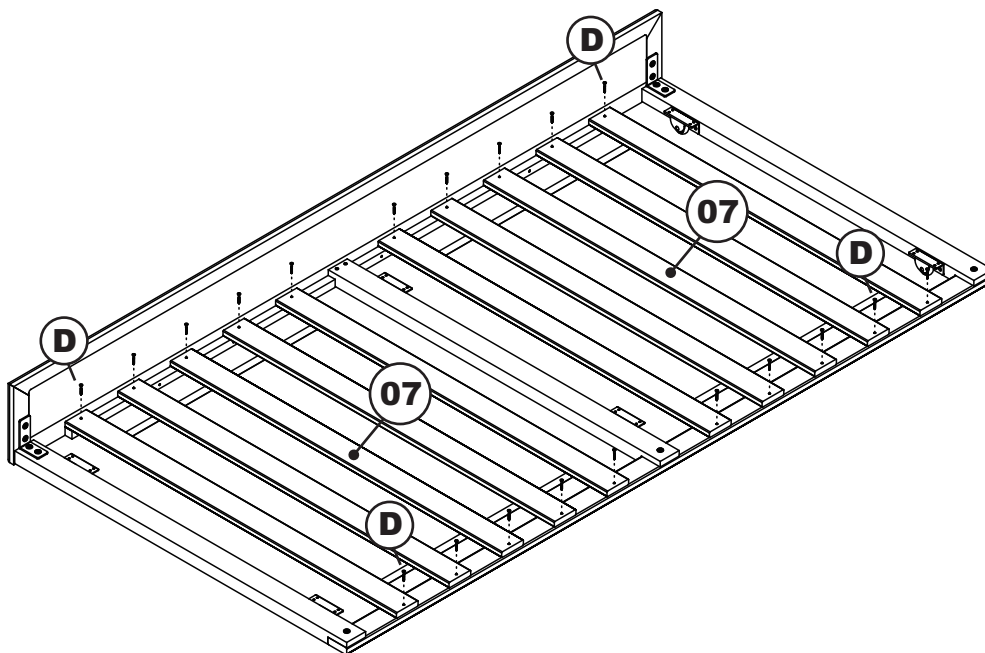
D



Wood screw 1 1/4"

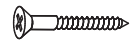
Step 3

Lay the slat kits (07) webbing side down onto the rail assembly as shown. Attach using wood screw 1 1/4" (D) and tighten with the Phillips head screw driver. (customer supplied)



Adult assembly

D



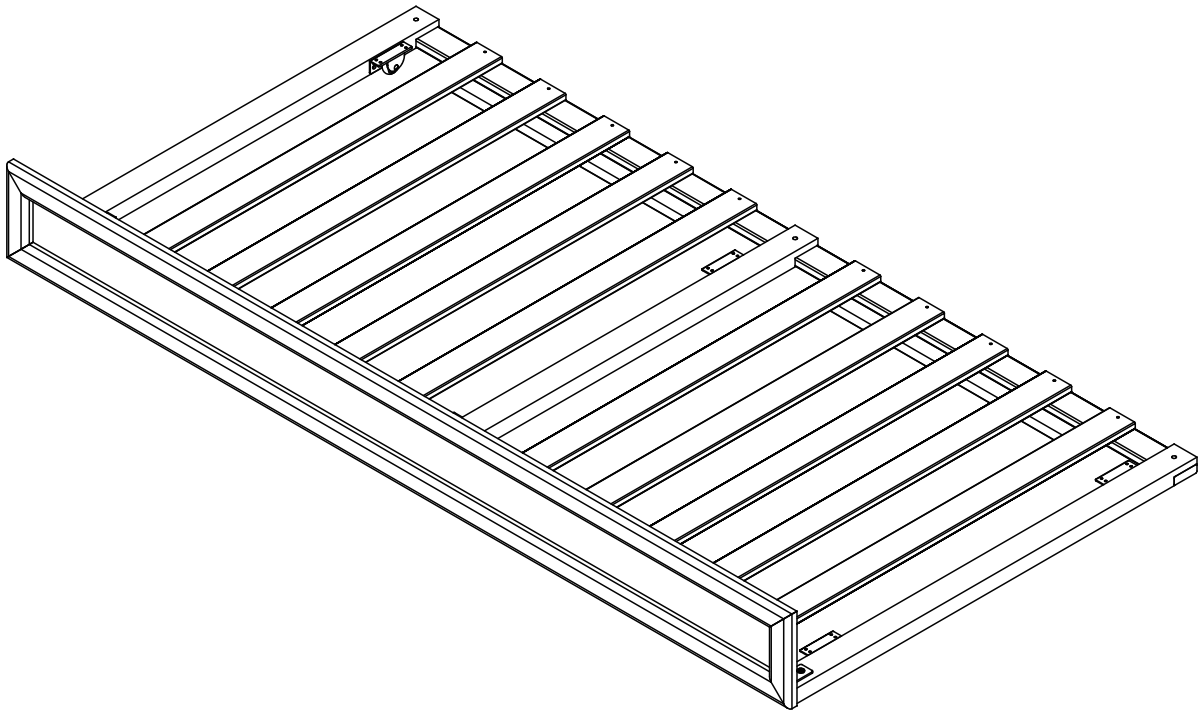
Wood screw 1 1/4"

Phillips screwdriver



Customer supplied

TWIN

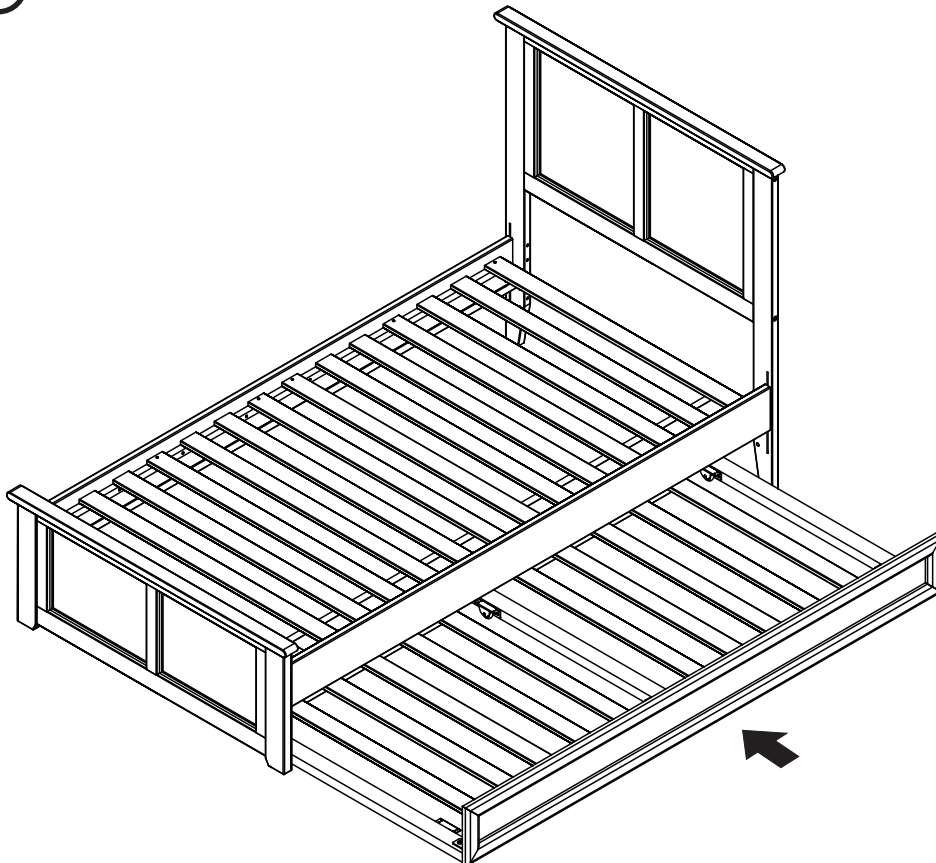


Congratulations!

Your Trundle bed is now ready for use.
We recommend that you periodically check that all screws are tight
and all parts are secure to ensure lasting safety.

Step 4

Lastly, Insert Trundle bed to the bed as shown below.



Adult assembly