

## ASSEMBLY INSTRUCTIONS

Before assembling your bed, please read through these instructions carefully and familiarize yourself with the different parts.

**ATTENTION!** If you receive a damaged or defective item, please contact afifurnishings at customerservice@afifurnishings.com or 1-800-955-3726



### PARTS LIST

- ① HEADBOARD PANEL 1 PC
- ② LEFT LEG 1 PC
- ③ RIGHT LEG 1 PC
- ④ PILLOW STOP 1 PC
- ⑤ WOOD DOWELS (Factory Installed) 8 PCS
- ⑥ FOOTBOARD 1 PC

Instructions apply for bed sizes  
**QUEEN > KING**

### HARDWARE

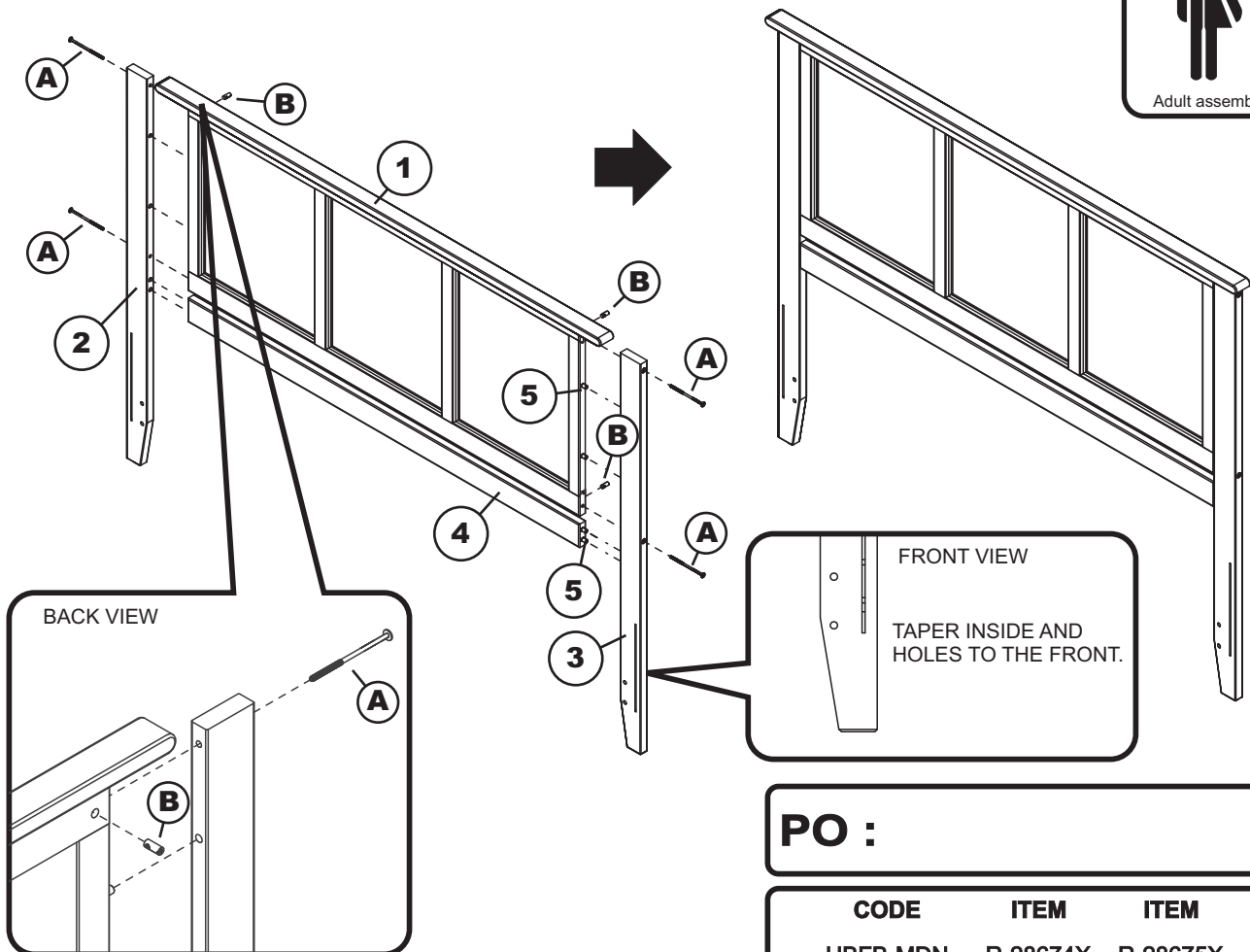
- Ⓐ JCB M6 X 110mm (4 3/8") - 4 pcs  
Spare - 1 pc
- Ⓑ Barrel nut - 4 pcs  
Spare - 1 pc

- Ⓒ Allen wrench - 1pc  
Spare - 1pc

**NOTE: WE INCLUDE SPARE HARDWARE IN CASE DAMAGE OCCURS DURING ASSEMBLY.**

### Step 1

Attach the legs (2) and (3) to headboard panel (1), and pillow stop (4) using JCB (A) and barrel nut (B). Tighten with the Allen wrench (C).



**Congratulations!**

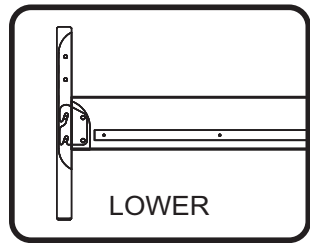
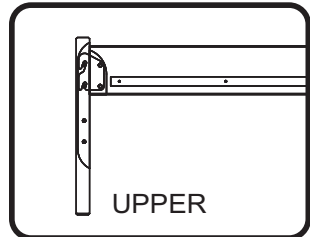
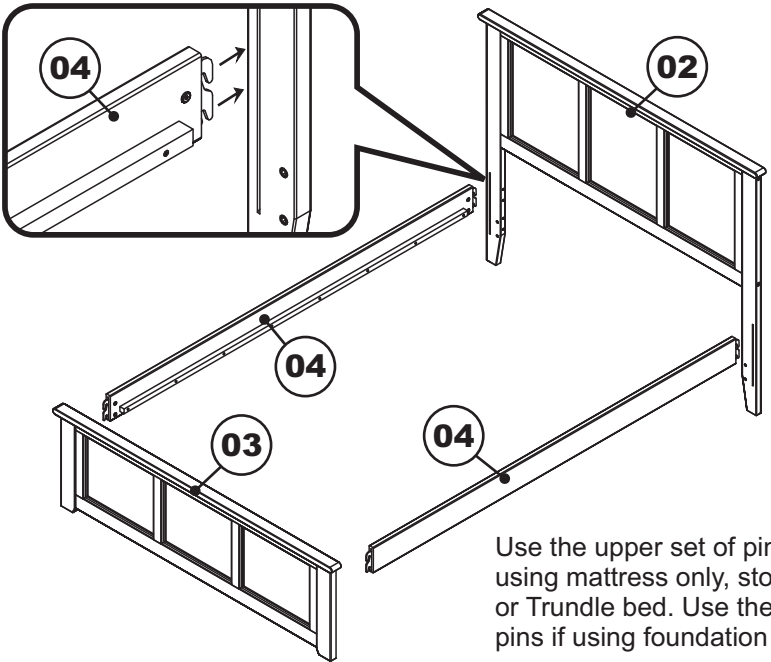
Your headboard is now assembled.

To ensure lasting safety, we recommend that you periodically check that all screws are tight and all parts are secure.

- 01 **HARDWARE**
  - 02 **HEADBOARD**
  - 03 **FOOTBOARD**
  - 04 **SIDE RAILS**
- BOX 1
- BOX 2



**Step 1** Attach the side rails (04) to the headboard (02) and footboard (03) using the bed hook as shown below.



Use the upper set of pins when using mattress only, storage drawers or Trundle bed. Use the lower set of pins if using foundation and mattress.

## ASSEMBLY INSTRUCTIONS QUEEN > KING

Before assembling your support boards, please read through these instructions carefully and familiarize yourself with the different parts.

Please note that you will require a Phillips screwdriver.

**ATTENTION!** If you receive a damaged or defective item, please contact afifurnishings at customerservice@afifurnishings.com or 1-800-955-3726



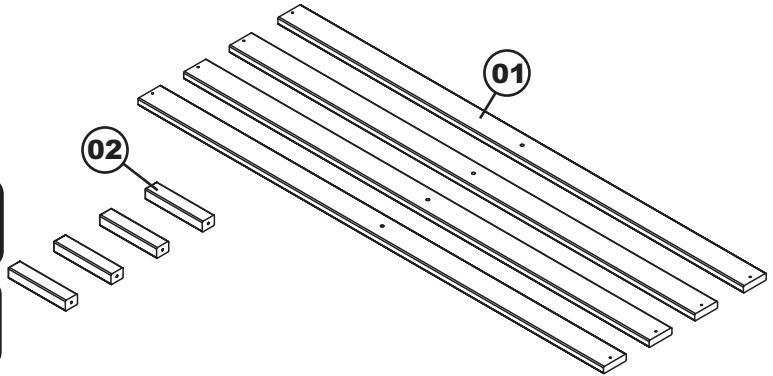
### PARTS LIST

**01 SUPPORT BOARDS 4 PCS**

**02 CENTER LEG 4 PCS**

| CODE  | ITEM    |
|-------|---------|
| SL-FN | E-64400 |

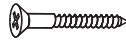
**PO :**



### HARDWARE



**A** 1 1/2" Allen screw - 4 pcs  
Spare - 1 pc



**B** 1 1/4" Wood screw - 8 pcs  
Spare - 1 pc



**C** Allen wrench - 1 pc  
Spare - 1 pc

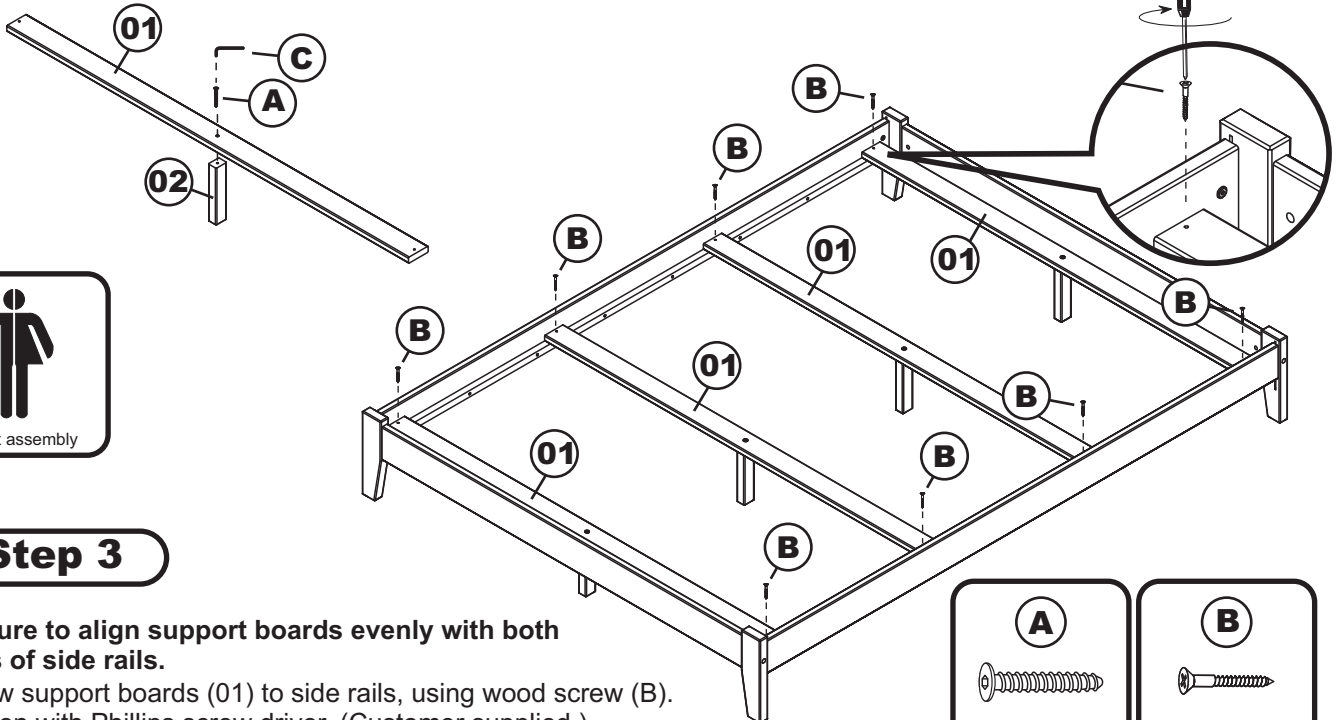
NOTE: WE INCLUDE SPARE HARDWARE IN CASE DAMAGE OCCURS DURING ASSEMBLY.

### Step 1

Assemble bed frame according to assembly instructions.

### Step 2

Assemble center leg (02) and support boards (01). Using allen screw (A). Tighten with the Allen wrench (C). Repeat for other center legs.



Adult assembly

### Step 3

Be sure to align support boards evenly with both ends of side rails.

Screw support boards (01) to side rails, using wood screw (B). Tighten with Phillips screw driver. (Customer supplied )

Be sure the space between support boards is even.

**A**



Allen screw

**B**



Wood screw