

## ASSEMBLY INSTRUCTIONS

Before assembling your headboard, please read through these instructions carefully and familiarize yourself with the different parts.

**ATTENTION!** If you receive a damaged or defective item, please contact afifurnishings at customerservice@afifurnishings.com or 1-800-955-3726



### PARTS LIST

### HARDWARE

Instructions apply for bed sizes  
QUEEN > KING

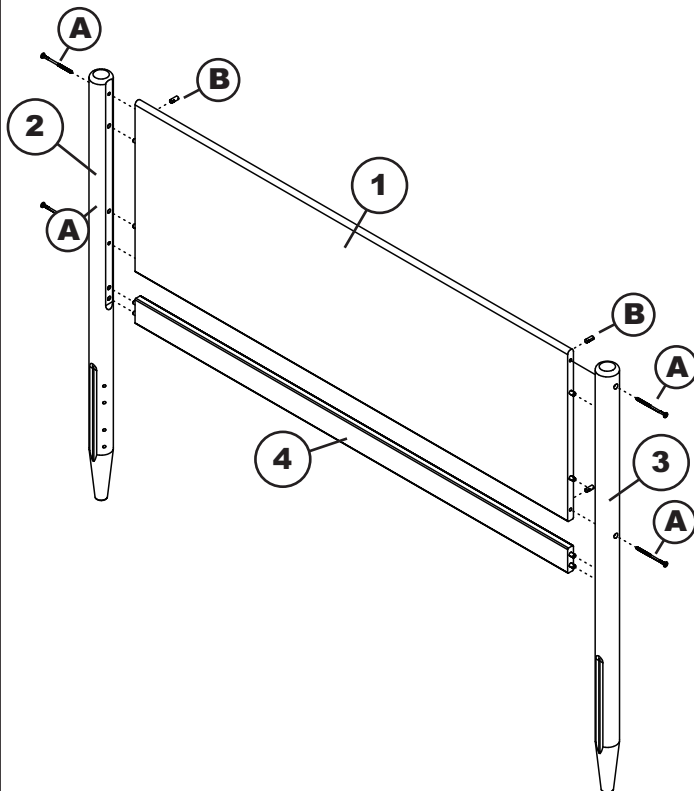
- 1 HEADBOARD PANEL 1 PC
- 2 LEFT LEG 1 PC
- 3 RIGHT LEG 1 PC
- 4 PILLOW STOP 1 PC

- A JCB M6 X 100mm (4") - 4 pcs  
Spare - 1 pc
- B Barrel Nut - 4 pcs
- C Wood Button - 4 pcs
- D Allen wrench - 1pc  
Spare - 1pc

NOTE: WE INCLUDE SPARE HARDWARE IN CASE DAMAGE OCCURS DURING ASSEMBLY.

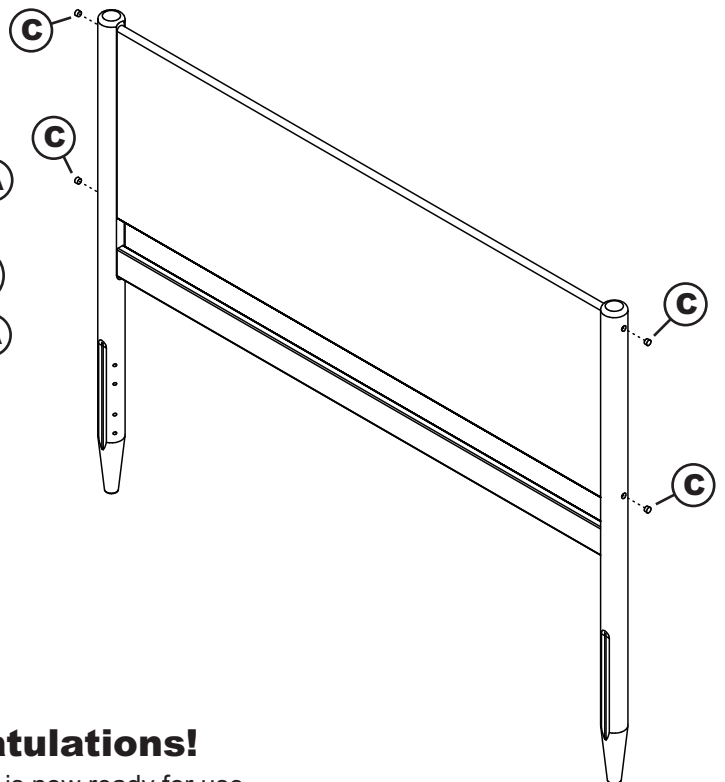
### Step 1

Attach the legs (2) and (3) to headboard panel (1) and pillow stop (4), using JCB (A) and barrel nut (B). Tighten with the Allen wrench (D).



### Step 2

Cover holes with wood button (C) as shown below.



## Congratulations!

Your headboard is now ready for use.

We recommend that you periodically recheck that all screws are tight to ensure lasting safety.

PO:

CODE	ITEM	ITEM
HB-PDA	R-29884X	R-29885X

## KING

### ASSEMBLY INSTRUCTIONS

Before assembling your bed frame, please read through these instructions carefully and familiarize yourself with the different parts.

**ATTENTION!** If you receive a damaged or defective item, please contact afifurnishings at [customerservice@afifurnishings.com](mailto:customerservice@afifurnishings.com) or 1-800-955-3726



#### PARTS LIST

- |   |                 |       |
|---|-----------------|-------|
| 1 | FOOT RAIL       | 1 PC  |
| 2 | LEFT LEG        | 1 PC  |
| 3 | RIGHT LEG       | 1 PC  |
| 4 | SIDE RAILS      | 2 PCS |
| 5 | SLAT KIT        | 2 SET |
| 6 | HB SUPPORT RAIL | 1 PC  |
| 7 | FB SUPPORT RAIL | 1 PC  |
| 8 | SUPPORT LEGS    | 3 PCS |

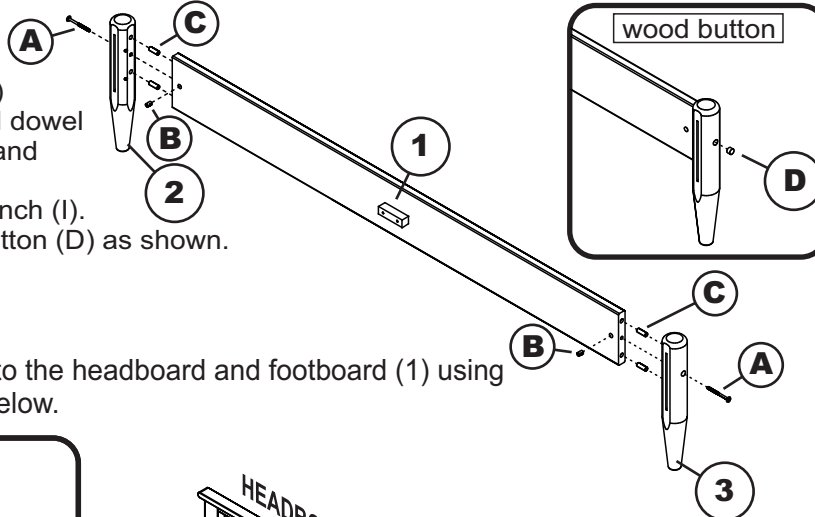
#### HARDWARE

- |   |                                                       |   |                                                 |
|---|-------------------------------------------------------|---|-------------------------------------------------|
| A | JCB M6 X 70mm (2 3/4") - 2 pcs<br>Spare - 1 pc        | F | Cap Nut - 6 pcs                                 |
| B | Barrel nut - 2 pcs                                    | G | JCB M8 X 40mm ( 1 5/8") - 3 pcs<br>Spare - 1 pc |
| C | Wood dowel 10 X 30mm( 1 1/4") - 4 pcs<br>Spare - 1 pc | H | Wood screw(1 1/4") - 14 pcs<br>Spare - 1 pc     |
| D | Wood button - 2 pcs<br>Spare - 1 pc                   | I | Allen wrench M4 - 1pc<br>Spare - 1pc            |
| E | JCB M6 X 30mm ( 1 1/8") - 6 pcs<br>Spare - 1 pc       | J | Allen wrench M5 - 1pc                           |

NOTE: WE INCLUDE SPARE HARDWARE IN CASE DAMAGE OCCURS DURING ASSEMBLY.

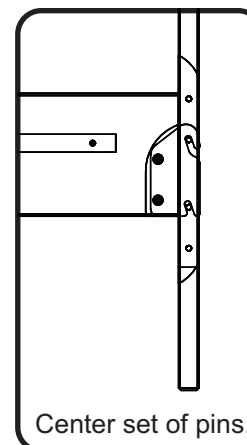
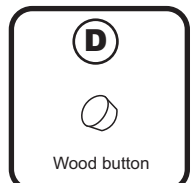
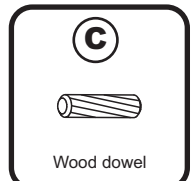
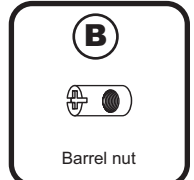
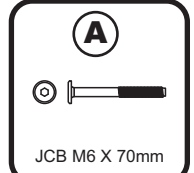
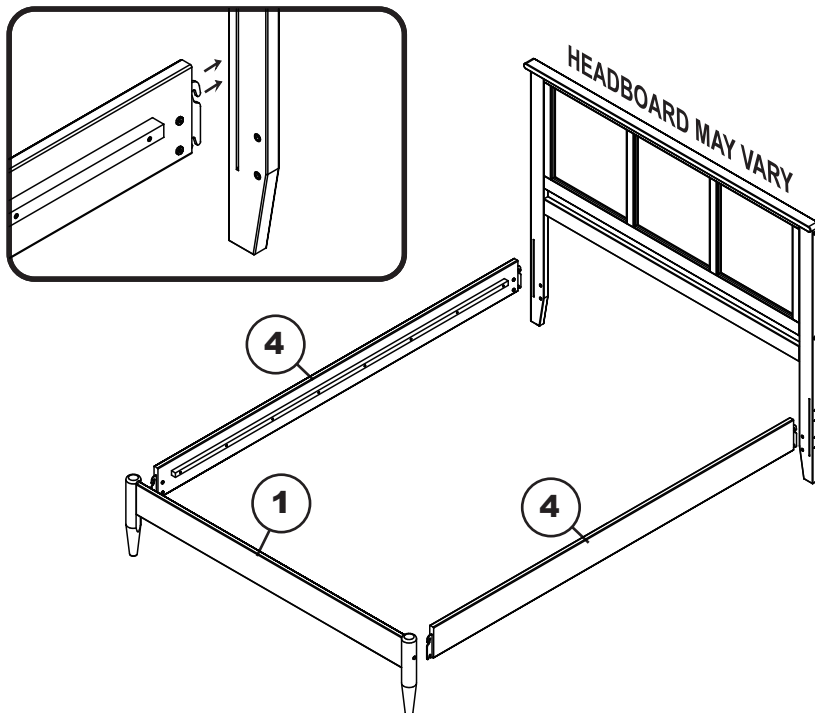
#### Step 1

Attach the legs (2) and (3) to foot rail (1), using wood dowel (C) JCB M6 X 70mm (A) and barrel nut (B).  
Tighten with the Allen wrench (I).  
Cover holes with wood button (D) as shown.



#### Step 2

Attach the side rails (04) to the headboard and footboard (1) using the bed hook as shown below.



PO:

CODE	ITEM
FR-PDA-STO	R-21035X

