

ASSEMBLY INSTRUCTIONS

Before assembling your headboard, please read through these instructions carefully and familiarize yourself with the different parts.

ATTENTION! If you receive a damaged or defective item, please contact afifurnishings at customerservice@afifurnishings.com or 1-800-955-3726



PARTS LIST

- 1 HEADBOARD PANEL 1 PC
- 2 LEFT LEG 1 PC
- 3 RIGHT LEG 1 PC

Instructions apply for bed sizes
TWIN > FULL

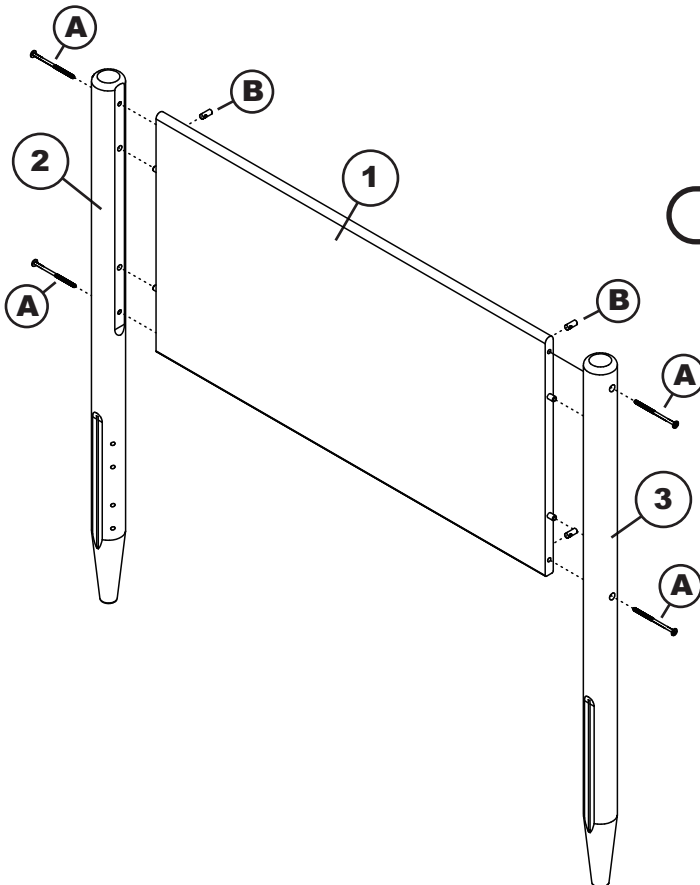
HARDWARE

- A JCB M6 X 100mm (4") - 4 pcs
Spare - 1 pc
- B Barrel Nut - 4 pcs
- C Wood Button - 4 pcs
- D Allen wrench - 1pc
Spare - 1pc

NOTE: WE INCLUDE SPARE HARDWARE IN CASE DAMAGE OCCURS DURING ASSEMBLY.

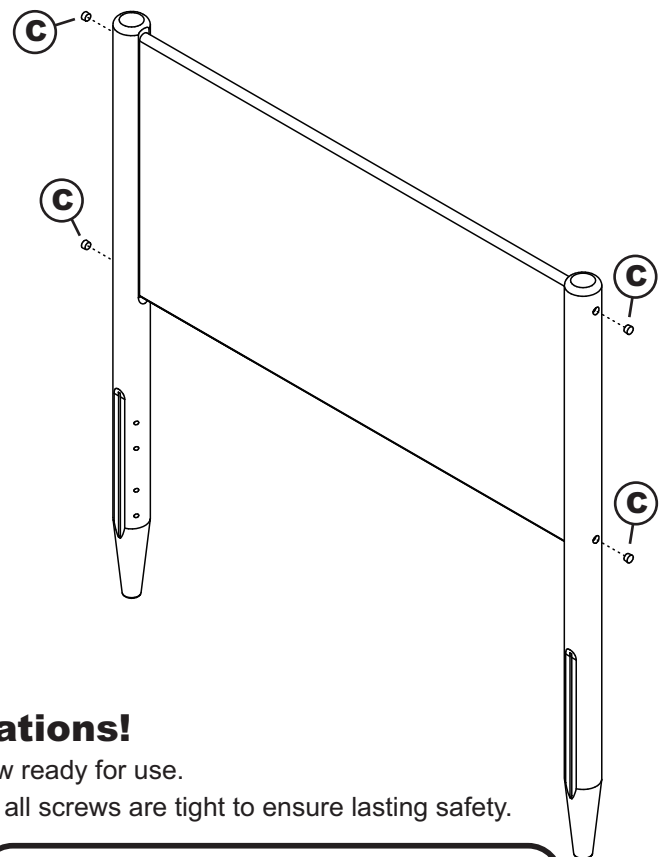
Step 1

Attach the legs (2) and (3) to headboard panel (1), using JCB (A) and barrel nut (B). Tighten with the Allen wrench (D).



Step 2

Cover holes with wood button (C) as shown below.



Congratulations!

Your headboard is now ready for use.

We recommend that you periodically recheck that all screws are tight to ensure lasting safety.

PO:

CODE	ITEM	ITEM
HB-PDA	R-29882X	R-29883X

TWIN XL

ASSEMBLY INSTRUCTIONS

Before assembling your bed frame, please read through these instructions carefully and familiarize yourself with the different parts.

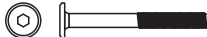
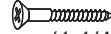






ATTENTION! If you receive a damaged or defective item, please contact afifurnishings at customerservice@afifurnishings.com or 1-800-955-3726

PARTS LIST

- | | | |
|---|-------------------|--------------|
| ① | FOOT RAIL | 1 PC |
| ② | LEFT LEG | 1 PC |
| ③ | RIGHT LEG | 1 PC |
| ④ | SIDE RAILS | 2 PCS |
| ⑤ | SLAT KIT | 2 SET |

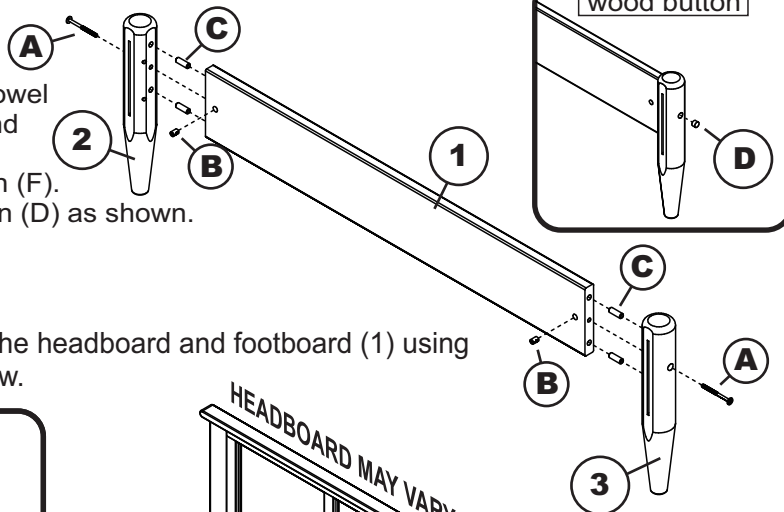
HARDWARE

- | | |
|---|---|
| 
(A) JCB M6 X 70mm (2 3/4") - 2 pcs
Spare - 1 pc | 
(E) Wood screw(1 1/4") - 12 pcs
Spare - 1 pc |
| 
(B) Barrel nut - 2 pcs | 
(F) Allen wrench M4 - 1pc
Spare - 1pc |
| 
(C) Wood dowel 10 X 30mm(1 1/4") - 4 pcs
Spare - 1 pc | |
| 
(D) Wood button - 2 pcs
Spare - 1 pc | |

NOTE: WE INCLUDE SPARE HARDWARE IN CASE DAMAGE OCCURS DURING ASSEMBLY.

Step 1

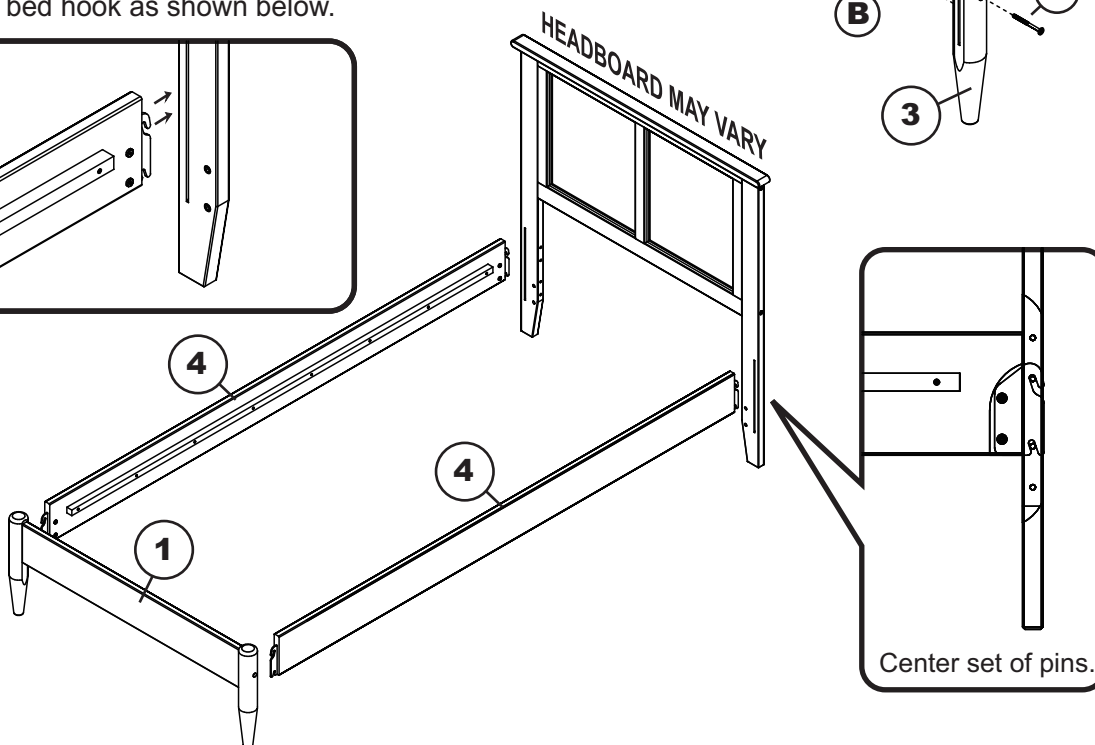
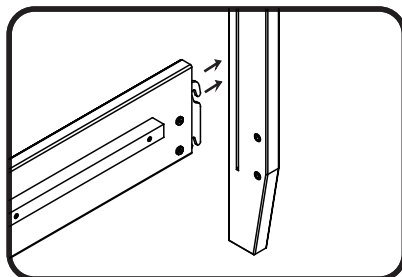
Attach the legs (2) and (3) to foot rail (1), using wood dowel (C) JCB M6 X 100mm (A) and barrel nut (B). Tighten with the Allen wrench (F). Cover holes with wood button (D) as shown.



Adult assembly

Step 2

Attach the side rails (04) to the headboard and footboard (1) using the bed hook as shown below.



(A)

JCB M6 X 70mm

(B)

Barrel nut

(C)

Wood dowel

(D)

Wood button

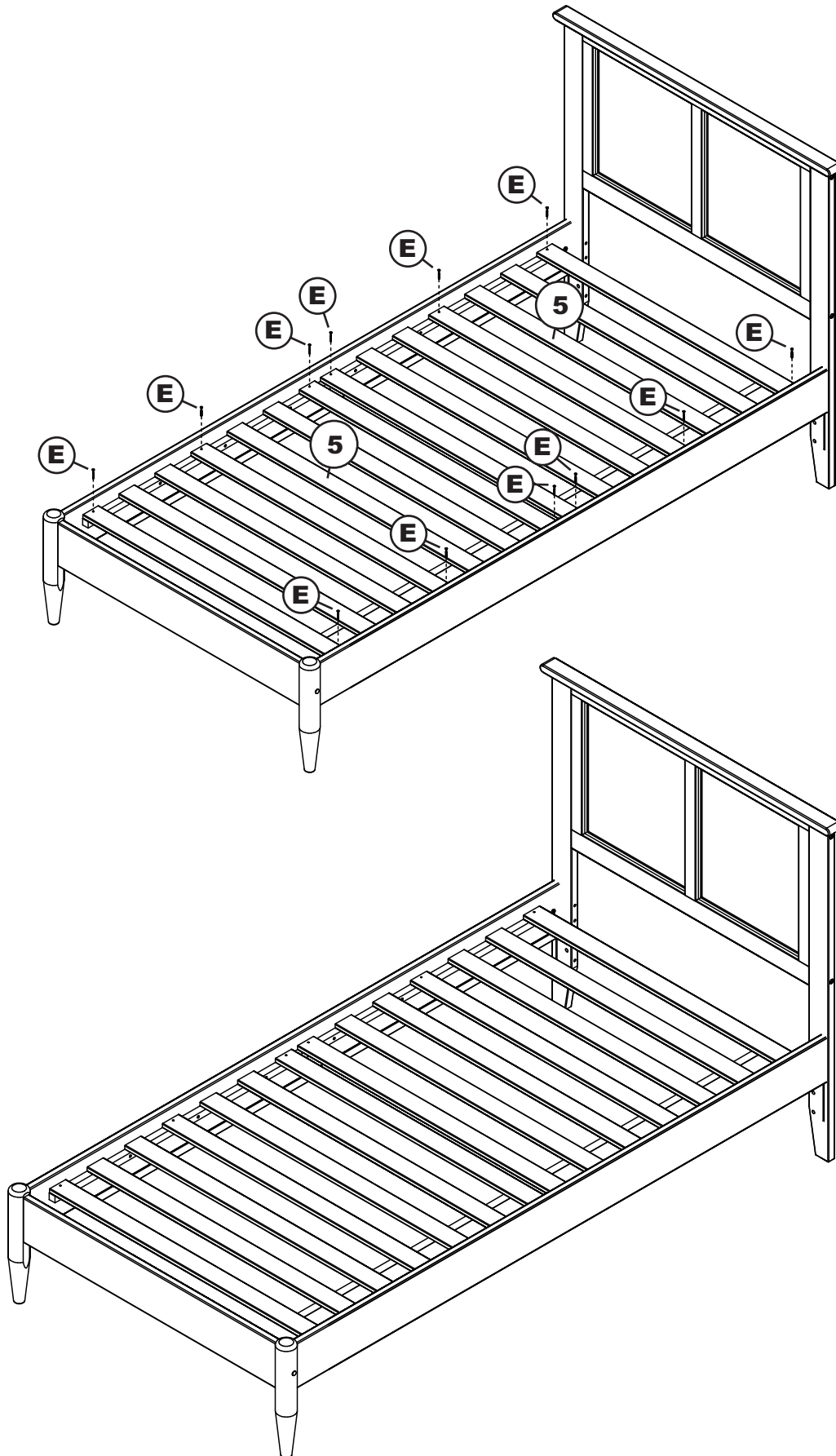
PO:

CODE	ITEM
FR-PDA-STO	R-21031X

TWIN XL

Step 3

Attach slat kit (5) to the bed as shown below. Using wood screw (E) tighten with Phillips head screwdriver. (Customer supplied)



Congratulations!

Your bed is now ready for use.

We recommend that you periodically recheck that all screws are tight to ensure lasting safety.