

## ASSEMBLY INSTRUCTIONS

Before assembling your headboard, please read through these instructions carefully and familiarize yourself with the different parts.

**ATTENTION!** If you receive a damaged or defective item, please contact afifurnishings at [customerservice@afifurnishings.com](mailto:customerservice@afifurnishings.com) or 1-800-955-3726



### PARTS LIST

①	LEFT POST	1 PC
②	RIGHT POST	1 PC
③	TOP RAIL	1 PC
④	CENTER RAIL	2 PCS
⑤	BOTTOM RAIL	1 PC
⑥	SPACER BLOCK	2 PCS
⑦	SUPPORT RAIL	1 PC

Instructions apply for bed sizes  
TWIN > FULL

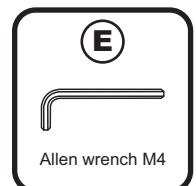
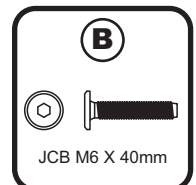
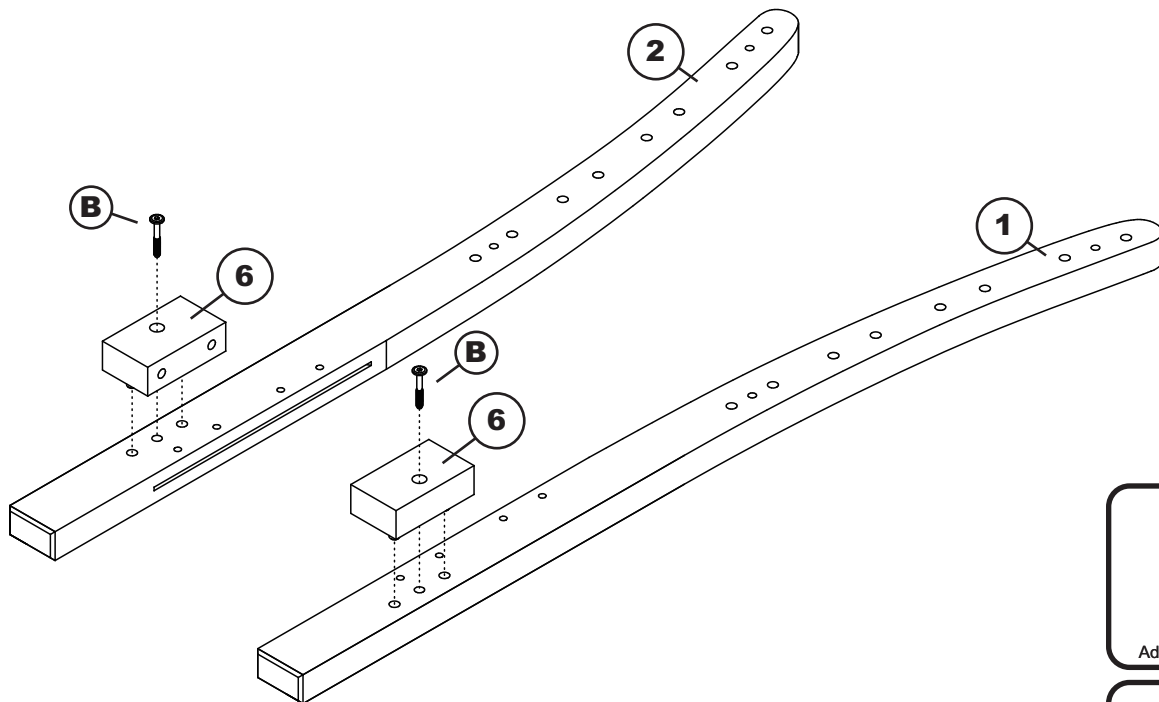
### HARDWARE

<b>A</b> JCB M8 X 40mm (1 1/2") - 4 pcs Spare - 1 pc <b>B</b> JCB M6 X 40mm (1 1/2") - 2 pcs Spare - 1 pc <b>C</b> JCB M6 X 30mm (1 1/4") - 5 pcs Spare - 1 pc	<b>D</b> Wood button - 4 pcs Spare - 1 pc <b>E</b> Allen wrench M4 - 1pc <b>F</b> Allen wrench M5 - 1pc	<b>HARDWARE FOR METAL BED FRAME</b> <b>G</b> JCB M6 X 25mm (1") - 4 pcs Spare - 1 pc <b>H</b> Flat washer - 4 pcs Spare - 1 pc <b>I</b> Split washer - 4 pcs Spare - 1 pc
---	--	---

NOTE: WE INCLUDE SPARE HARDWARE IN CASE DAMAGE OCCURS DURING ASSEMBLY.

### Step 1

Attach spacer block (6) to left right post (1)(2), using JCB (B). Tighten with the Allen wrench (E).



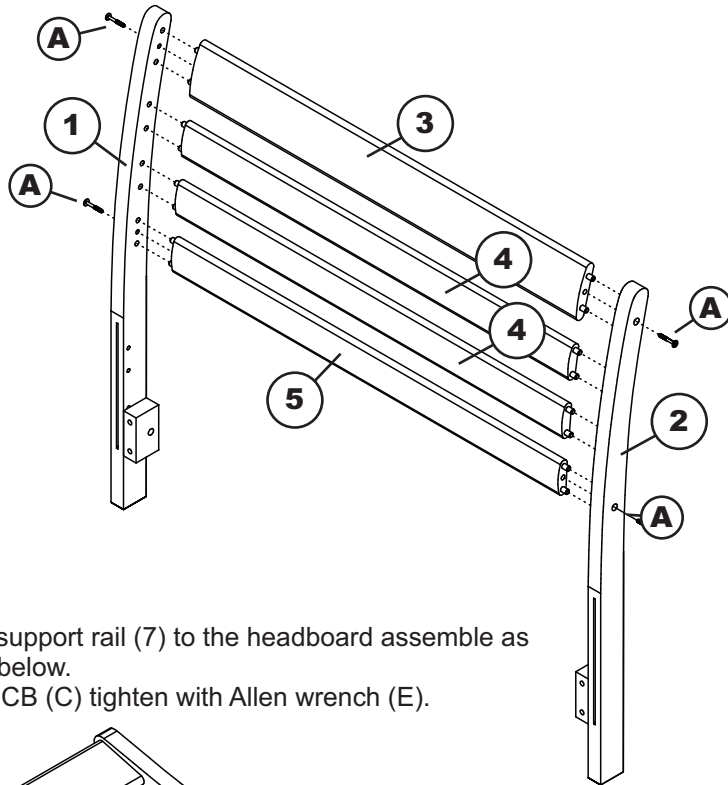
PO:

CODE	ITEM	ITEM
HB-SAV	R-29782X	R-29783X

TWIN > FULL

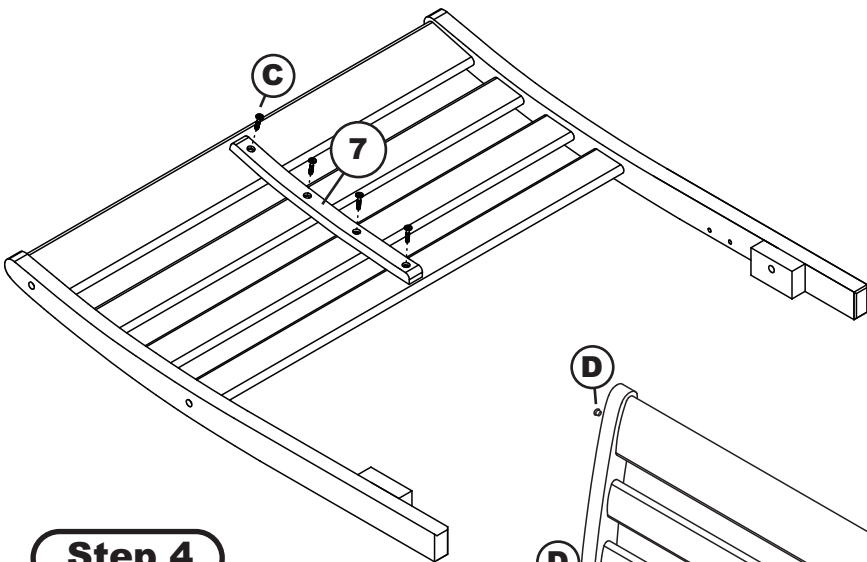
**Step 2**

Attach top rail (3) center rails (4) and bottom rail (5) to the left right post (1)(2) as shown below. Using JCB (A) tighten with Allen wrench (F).



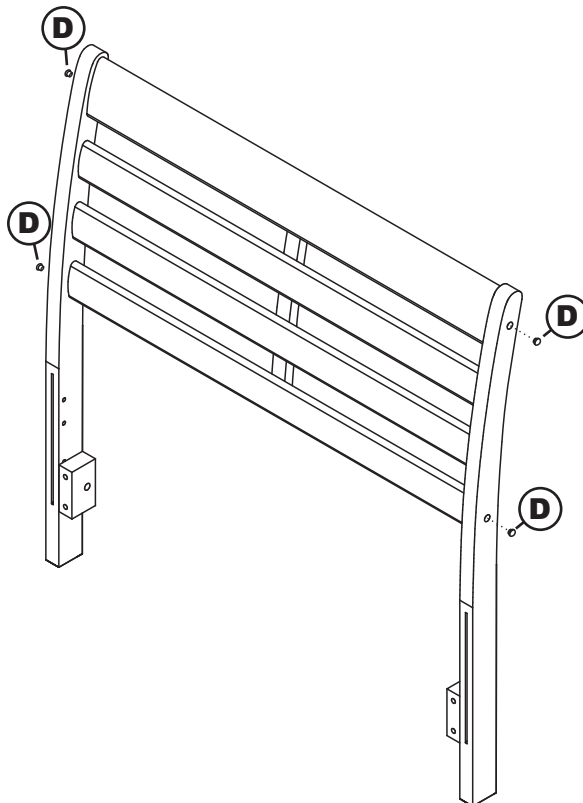
**Step 3**

Attach support rail (7) to the headboard assemble as shown below. Using JCB (C) tighten with Allen wrench (E).

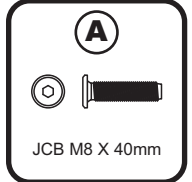


**Step 4**

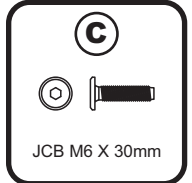
Lastly, cover holes with wood button (D).



Adult assembly



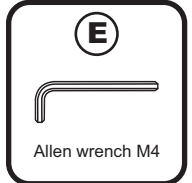
JCB M8 X 40mm



JCB M6 X 30mm



Wood button



Allen wrench M4



Allen wrench M5

If you purchased a wood headboard to attach to metal bed frame, please refer to page 3.

## TWIN XL

### ASSEMBLY INSTRUCTIONS

Before assembling your bed frame, please read through these instructions carefully and familiarize yourself with the different parts.

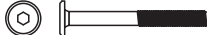
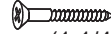






**ATTENTION!** If you receive a damaged or defective item, please contact afifurnishings at [customerservice@afifurnishings.com](mailto:customerservice@afifurnishings.com) or 1-800-955-3726

#### PARTS LIST

- |   |                   |              |
|---|-------------------|--------------|
| ① | <b>FOOT RAIL</b>  | <b>1 PC</b>  |
| ② | <b>LEFT LEG</b>   | <b>1 PC</b>  |
| ③ | <b>RIGHT LEG</b>  | <b>1 PC</b>  |
| ④ | <b>SIDE RAILS</b> | <b>2 PCS</b> |
| ⑤ | <b>SLAT KIT</b>   | <b>2 SET</b> |

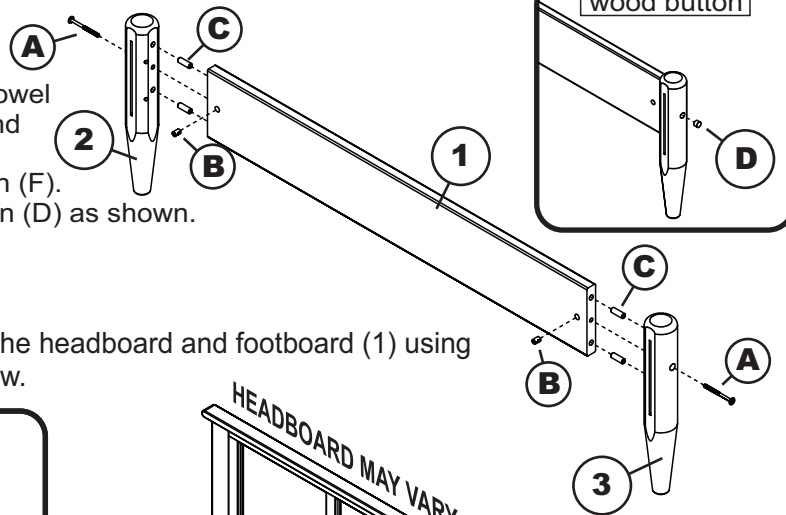
#### HARDWARE

- |   |   |
|---|---|
| <br><b>(A)</b> JCB M6 X 70mm (2 3/4") - 2 pcs<br>Spare - 1 pc        | <br><b>(E)</b> Wood screw(1 1/4") - 12 pcs<br>Spare - 1 pc |
| <br><b>(B)</b> Barrel nut - 2 pcs                                    | <br><b>(F)</b> Allen wrench M4 - 1pc<br>Spare - 1pc        |
| <br><b>(C)</b> Wood dowel 10 X 30mm( 1 1/4") - 4 pcs<br>Spare - 1 pc |   |
| <br><b>(D)</b> Wood button - 2 pcs<br>Spare - 1 pc                   |   |

NOTE: WE INCLUDE SPARE HARDWARE IN CASE DAMAGE OCCURS DURING ASSEMBLY.

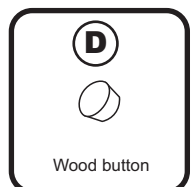
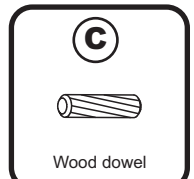
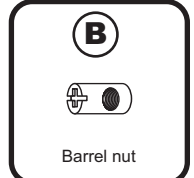
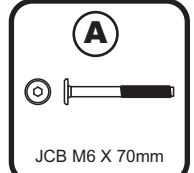
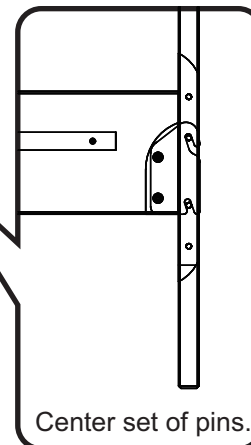
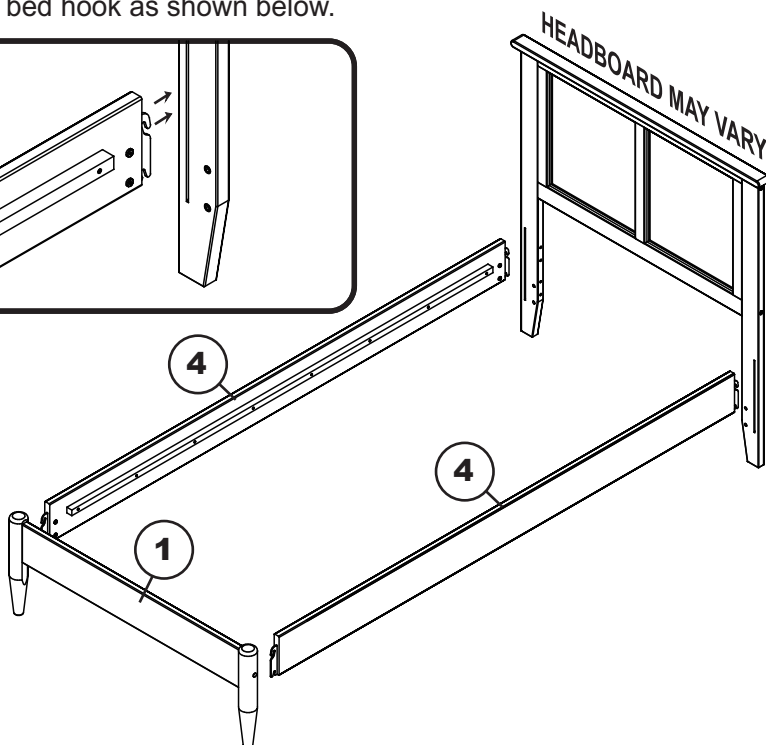
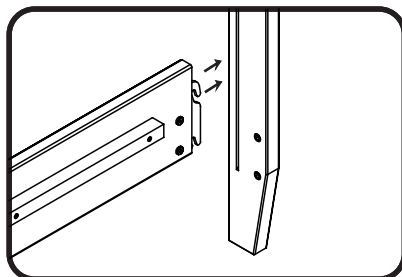
#### Step 1

Attach the legs (2) and (3) to foot rail (1), using wood dowel (C) JCB M6 X 100mm (A) and barrel nut (B). Tighten with the Allen wrench (F). Cover holes with wood button (D) as shown.



#### Step 2

Attach the side rails (04) to the headboard and footboard (1) using the bed hook as shown below.



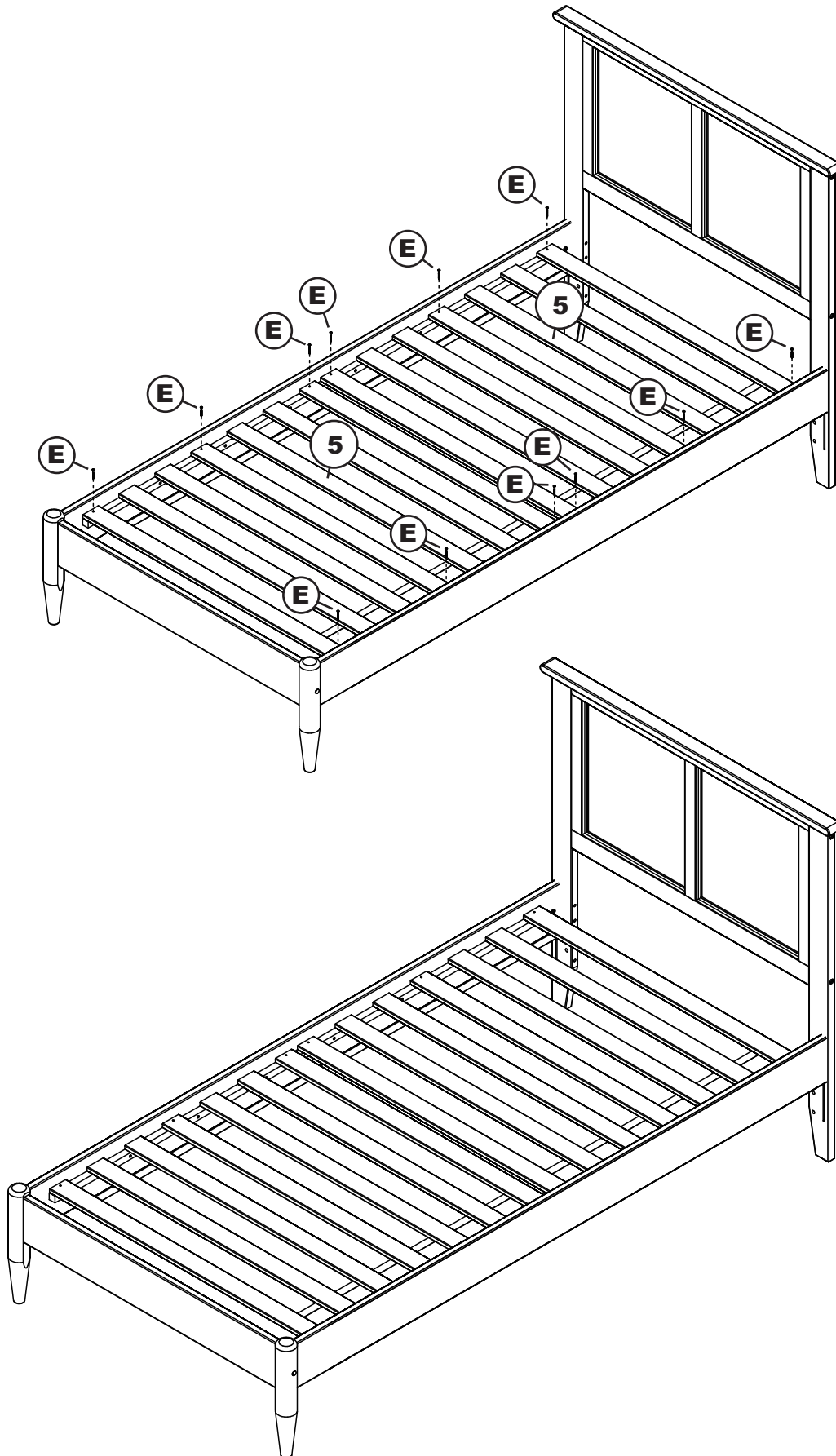
**PO:**

<b>CODE</b>	<b>ITEM</b>
FR-PDA-STO	R-21031X

## TWIN XL

### Step 3

Attach slat kit (5) to the bed as shown below. Using wood screw (E) tighten with Phillips head screwdriver. ( Customer supplied )



**Congratulations!**

Your bed is now ready for use.

We recommend that you periodically recheck that all screws are tight to ensure lasting safety.