

ASSEMBLY INSTRUCTIONS

Before assembling your headboard, please read through these instructions carefully and familiarize yourself with the different parts.

ATTENTION! If you receive a damaged or defective item, please contact afifurnishings at customerservice@afifurnishings.com or 1-800-955-3726



PARTS LIST

1	LEFT POST	1 PC
2	RIGHT POST	1 PC
3	TOP RAIL	1 PC
4	CENTER RAIL	3 PCS
5	BOTTOM RAIL	1 PC
6	SPACER BLOCK	2 PCS
7	SUPPORT RAIL	1 PC

Instructions apply for bed sizes
QUEEN > KING

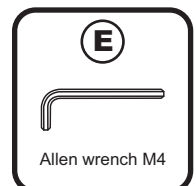
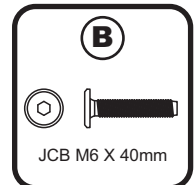
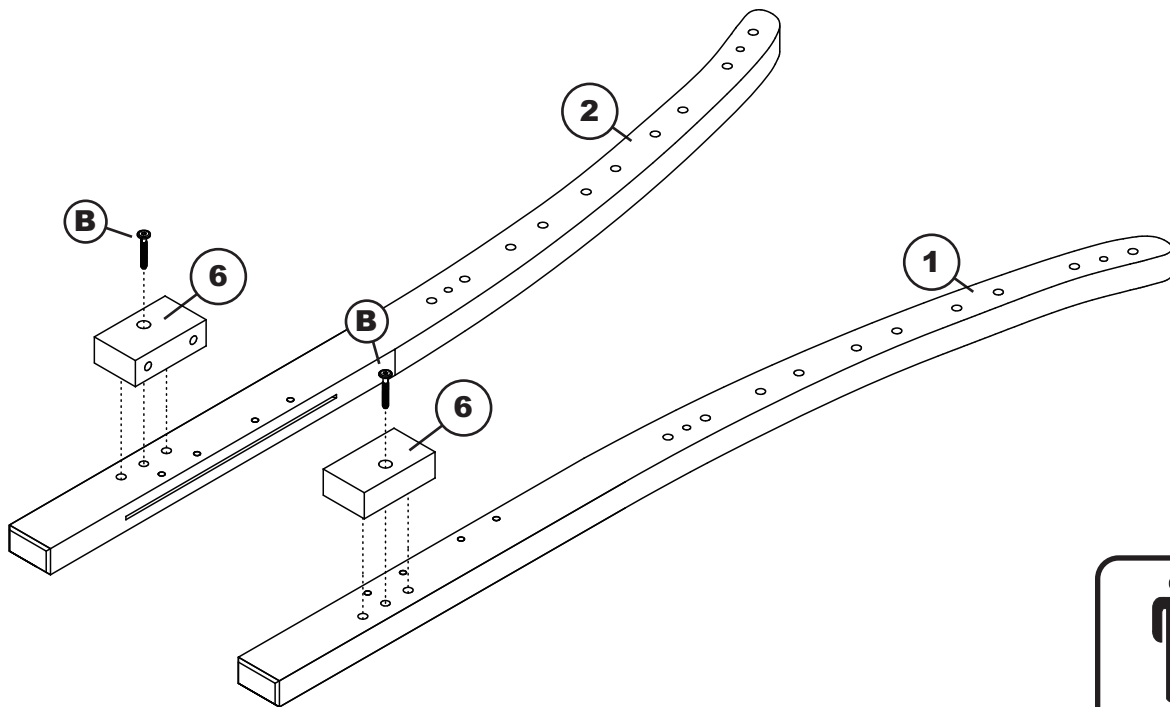
HARDWARE

A	JCB M8 X 40mm (1 1/2") - 4 pcs Spare - 1 pc	D	Wood button - 4 pcs Spare - 1 pc	HARDWARE FOR METAL BED FRAME	
B	JCB M6 X 40mm (1 1/2") - 2 pcs Spare - 1 pc	E	Allen wrench M4 - 1pc	G	JCB M6 X 25mm (1") - 4 pcs Spare - 1 pc
C	JCB M6 X 30mm (1 1/4") - 5 pcs Spare - 1 pc	F	Allen wrench M5 - 1pc	H	Flat washer - 4 pcs Spare - 1 pc
				I	Split washer - 4 pcs Spare - 1 pc

NOTE: WE INCLUDE SPARE HARDWARE IN CASE DAMAGE OCCURS DURING ASSEMBLY.

Step 1

Attach spacer block (6) to left right post (1)(2), using JCB (B). Tighten with the Allen wrench (E).



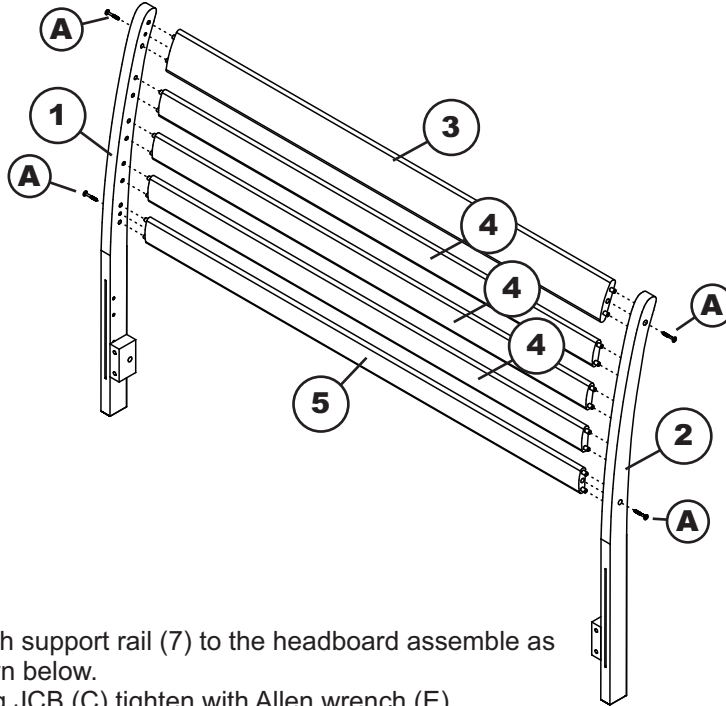
PO:

CODE	ITEM	ITEM
HB-SAV	R-29784X	R-29785X

QUEEN > KING

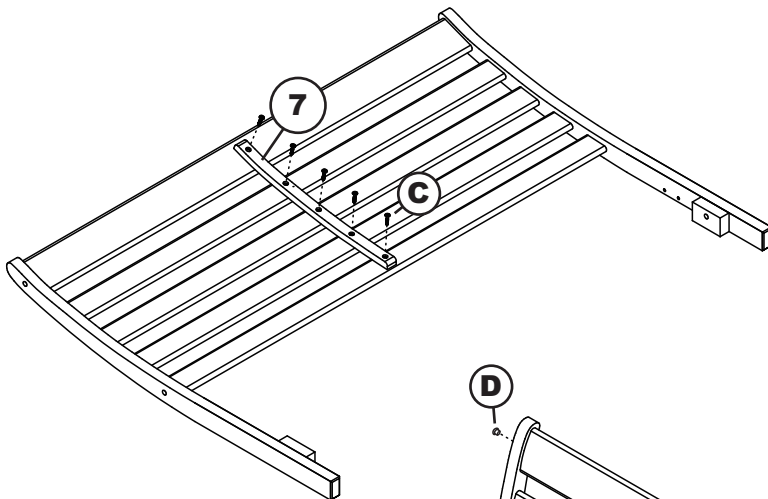
Step 2

Attach top rail (3) center rails (4) and bottom rail (5) to the left right post (1)(2) as shown below. Using JCB (A) tighten with Allen wrench (F).



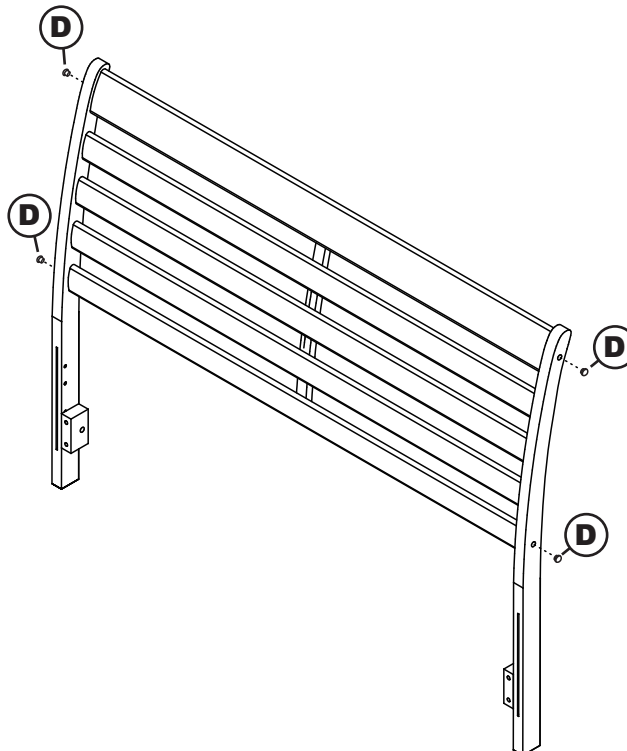
Step 3

Attach support rail (7) to the headboard assemble as shown below. Using JCB (C) tighten with Allen wrench (E).

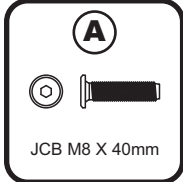


Step 4

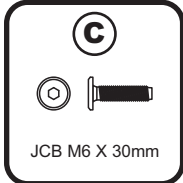
Lastly, cover holes with wood button (D).



Adult assembly



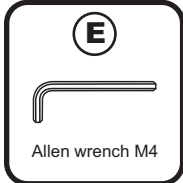
JCB M8 X 40mm



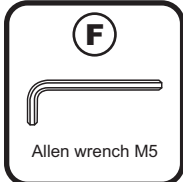
JCB M6 X 30mm



Wood button



Allen wrench M4



Allen wrench M5

If you purchased a wood headboard to attach to metal bed frame, please refer to page 3.

ASSEMBLY INSTRUCTIONS

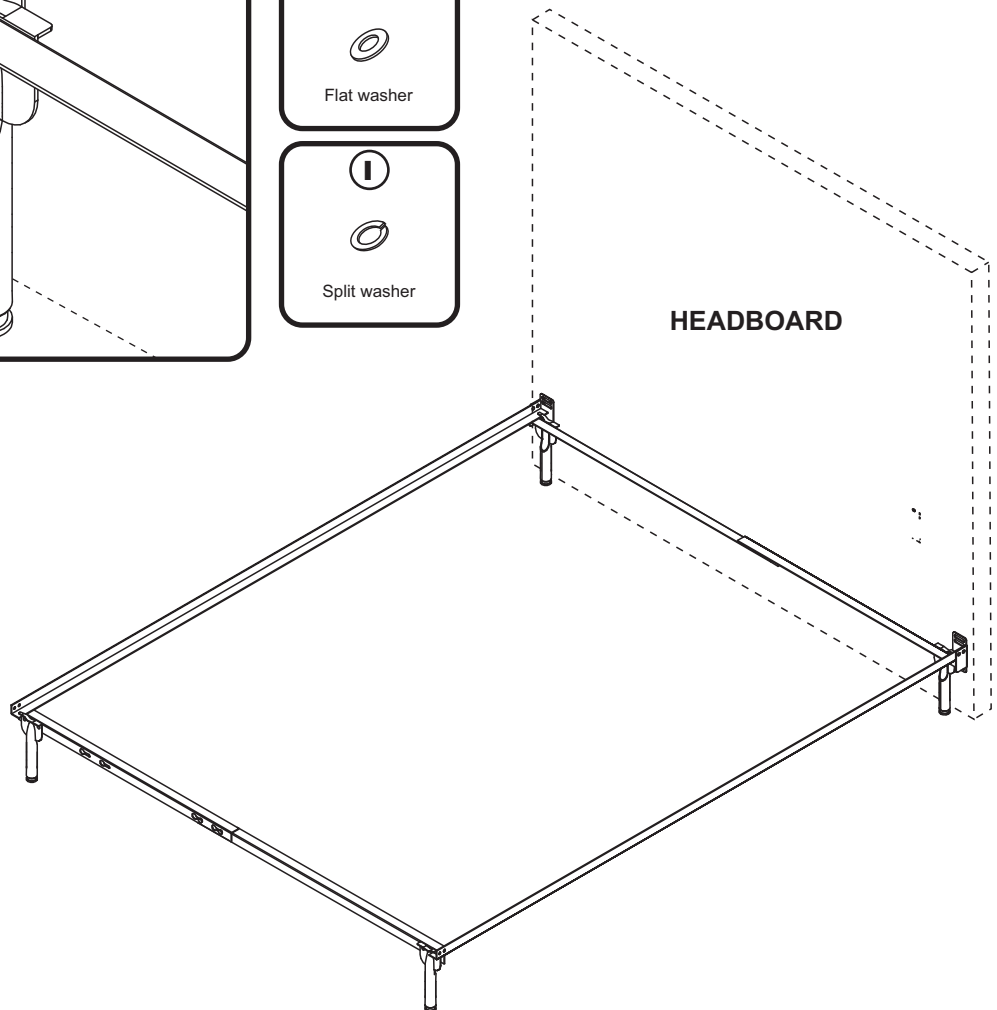
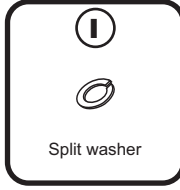
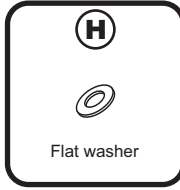
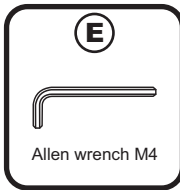
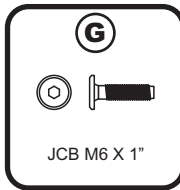
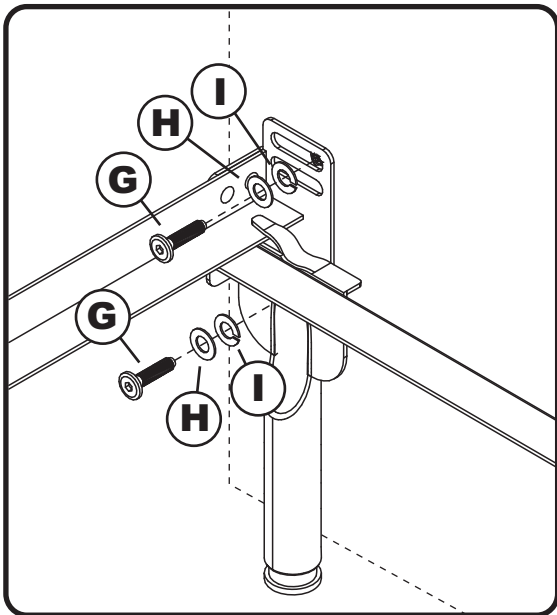
Before assembling your bed, please read through these instructions carefully and familiarize yourself with the different parts.

Instructions apply for bed sizes
TWIN > FULL > QUEEN > KING



Metal bed frames are sold separately from wood headboards. The hardware shown on this page is supplied with your wood headboard for attaching the bed frame to the headboard. The metal bed frame is supplied with its own assembly instructions and hardware.

Step 1 Attach the headboard assembly to the metal frame using JCB (G), flat washer (H), and split washer (I) then tighten with Allen wrench (E), as shown below.



Congratulations!

Your bed is now ready for use.
To ensure lasting safety, we recommend that you periodically check that all screws are tight and all parts are secure.