

ASSEMBLY INSTRUCTIONS

Before assembling your headboard, please read through these instructions carefully and familiarize yourself with the different parts.

ATTENTION! If you receive a damaged or defective item, please contact afifurnishings at customerservice@afifurnishings.com or 1-800-955-3726



PARTS LIST

- 1 HEADBOARD PANEL 1 PC
- 2 LEFT LEG 1 PC
- 3 RIGHT LEG 1 PC
- 4 SPACER BLOCK 2 PCS
- 5 PACKING STICK 2 PCS
- 6 FOOTBOARD 1 PC

Instructions apply for bed sizes
TWIN > FULL > QUEEN

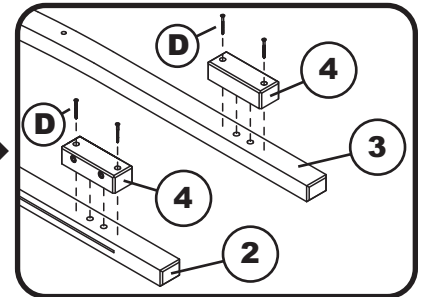
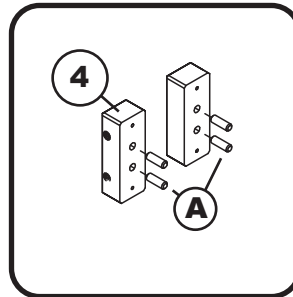
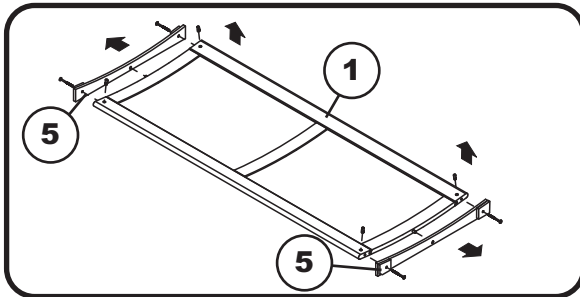
HARDWARE

- | | | |
|--|--|--|
| (A) Wooden dowel - 4 pcs
Spare - 1 pc | (D) Wood screw - 4 pcs
Spare - 1 pc | HARDWARE FOR METAL BED FRAME |
| (B) JCB M6 X 70mm (2 3/4") - 4 pcs
Spare - 1 pc | (E) JCB M6 X 25mm (1") - 4 pcs
Spare - 1 pc | (F) Flat washer - 4 pcs
Spare - 1 pc |
| (C) Barrel nut - 4 pcs
Spare - 1 pc | (H) Allen wrench - 1 pc
Spare - 1 pc | (G) Split washer - 4 pcs
Spare - 1 pc |

NOTE: WE INCLUDE SPARE HARDWARE IN CASE DAMAGE OCCURS DURING ASSEMBLY.

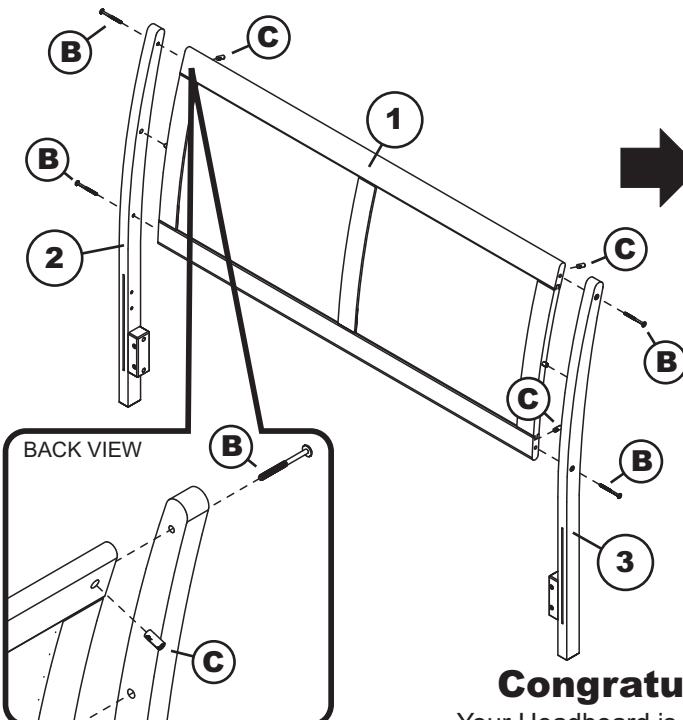
Step 1

Remove packing stick (5) from headboard panel (1) and **DISCARD**. Insert wooden dowels (A) to the locator holes on spacer block (4). Attach the spacer blocks (4) to the legs (2) and (3), using wood screws (D), as shown below. Tighten with Phillips screwdriver. (customer supplied)



Step 2

Attach the legs (2) and (3) to the headboard panel (1), using JCB (B) and barrel nut (C). Tighten with the Allen wrench (H).



CODE	ITEM	ITEM	ITEM
HBFB-POR	R-28972X	R-28973X	R-28974X

PO :

Congratulations!

Your Headboard is now assembled.

To ensure lasting safety, we recommend that you periodically check that all screws are tight and all parts are secure.

TWIN XL

ASSEMBLY INSTRUCTIONS

Before assembling your bed frame, please read through these instructions carefully and familiarize yourself with the different parts.

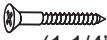


ATTENTION! If you receive a damaged or defective item, please contact afifurnishings at customerservice@afifurnishings.com or 1-800-955-3726

PARTS LIST

HARDWARE

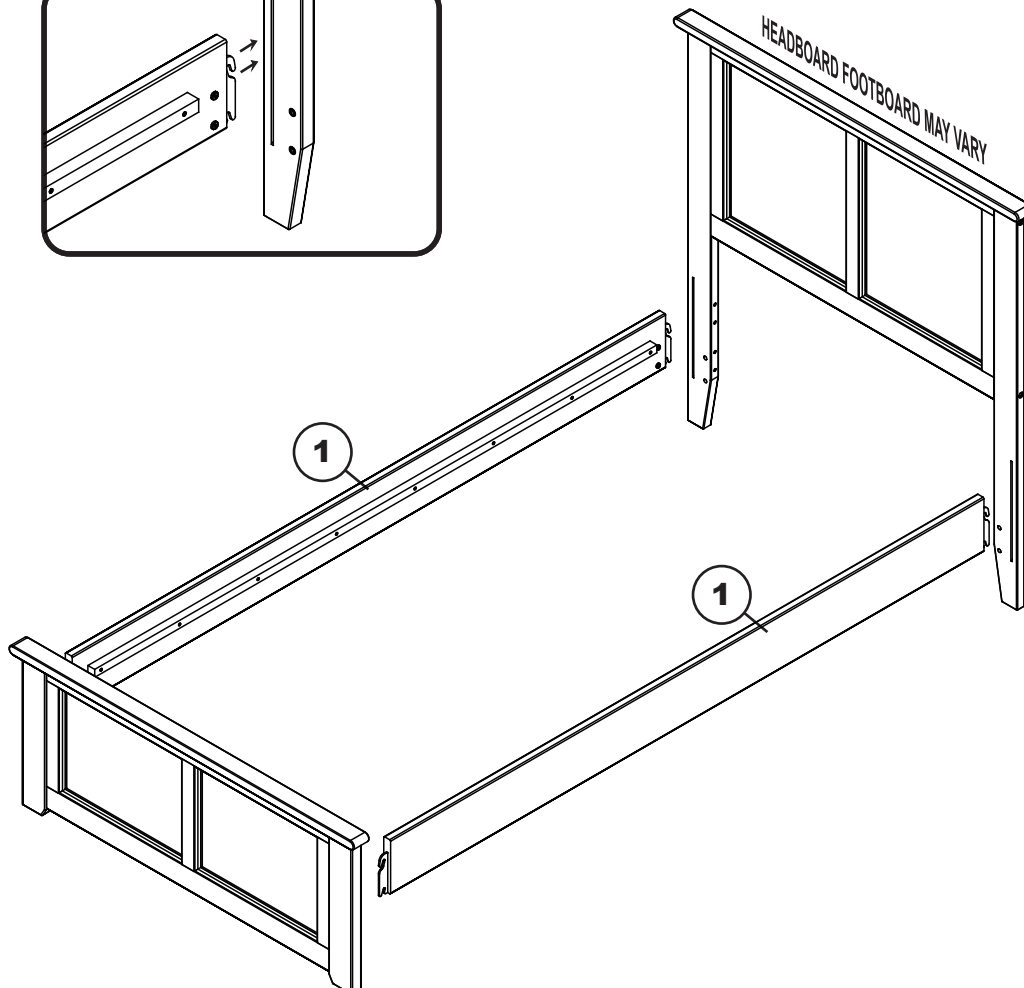
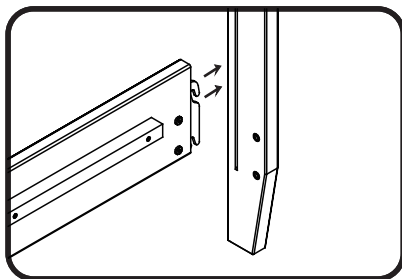
- ① SIDE RAILS 2 PCS
- ② SLAT KIT 2 SET

- Ⓐ  Wood screw(1 1/4") - 12 pcs
Spare - 1 pc

NOTE: WE INCLUDE SPARE HARDWARE IN CASE DAMAGE OCCURS DURING ASSEMBLY.

Step 1

Attach side rails (1) to the headboard and footboard. For assembly, follow the assembly instructions included with your headboard and footboard.



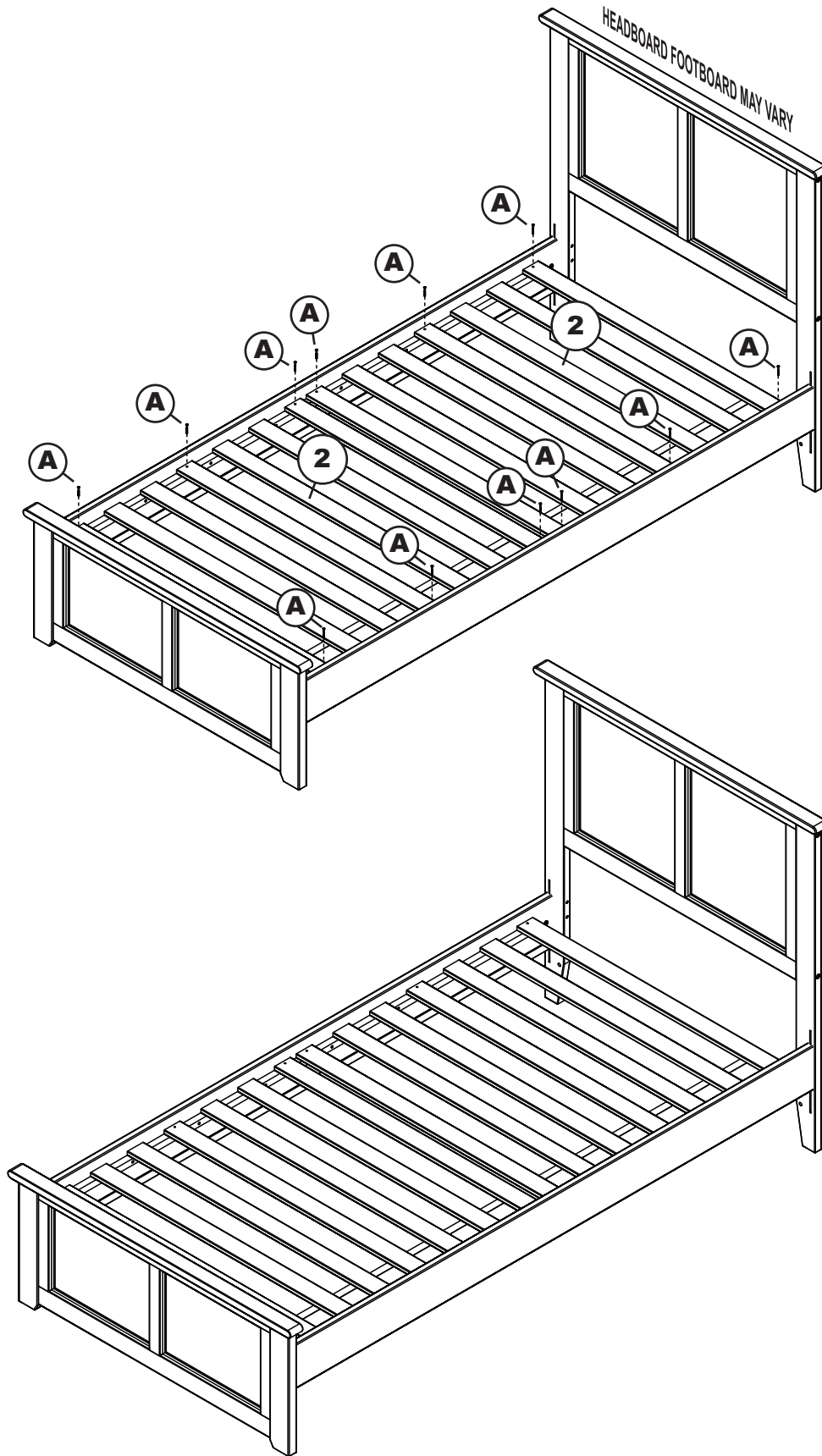
PO:

CODE	ITEM
FR-KEW-LOM	R-22221X

TWIN XL

Step 2

Attach slat kit (2) to the bed as shown below using wood screws 1 1/4" (A). Tighten with Phillips head screw driver. (customer supplied)



Congratulations!

Your bed is now ready for use.

We recommend that you periodically recheck that all screws are tight to ensure lasting safety.