

ASSEMBLY INSTRUCTIONS

Before assembling your bed, please read through these instructions carefully and familiarize yourself with the different parts.

ATTENTION! If you receive a damaged or defective item, please contact afifurnishings at customerservice@afifurnishings.com or 1-800-955-3726



PARTS LIST

- ① HEADBOARD PANEL 1 PC
- ② LEFT LEG 1 PC
- ③ RIGHT LEG 1 PC
- ④ PILLOW STOP 1 PC
- ⑤ PACKING STICK 2 PCS
- ⑥ WOOD DOWELS (Factory Installed) 8 PCS
- ⑦ FOOTBOARD 1 PC

Instructions apply for bed sizes
QUEEN > KING

HARDWARE

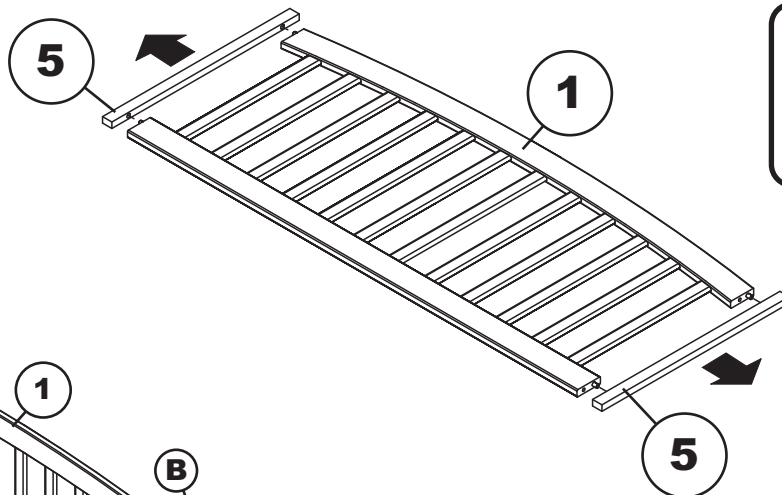
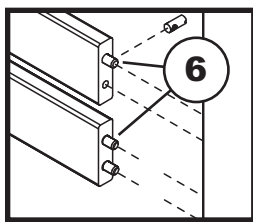
- Ⓐ JCB M6 X 110mm (4 3/8") - 4 pcs
Spare - 1 pc
- Ⓑ Barrel nut - 4 pcs
Spare - 1 pc

- Ⓒ Allen wrench - 1pc
Spare - 1pc

NOTE: WE INCLUDE SPARE HARDWARE IN CASE DAMAGE OCCURS DURING ASSEMBLY.

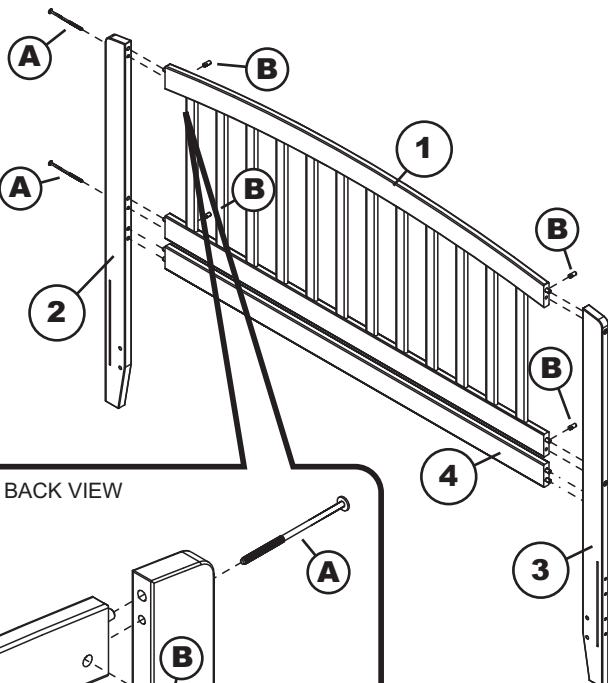
Step 1

Remove packing stick (5) from headboard panel (1) and **DISCARD**.

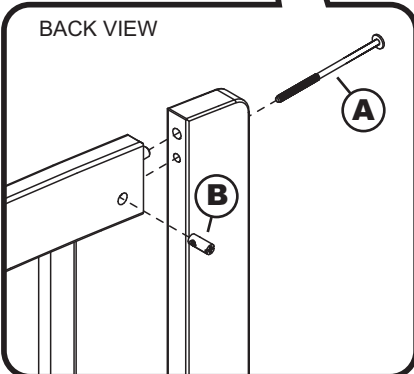


Step 2

Attach the legs (2) and (3) to headboard panel (1), and pillow stop (4) using JCB (A) and barrel nut (B). Tighten with the Allen wrench (C).

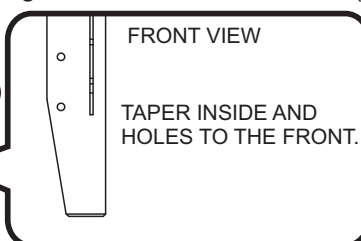


BACK VIEW



FRONT VIEW

TAPER INSIDE AND HOLES TO THE FRONT.



CODE	ITEM
HBFB-RCM	R-28874X
HBFB-RCM	R-28875X

Congratulations!

PO :

Your headboard is now assembled.

To ensure lasting safety, we recommend that you periodically check that all screws are tight and all parts are secure.

QUEEN

ASSEMBLY INSTRUCTIONS

Before assembling your bed frame, please read through these instructions carefully and familiarize yourself with the different parts.



ATTENTION! If you receive a damaged or defective item, please contact afifurnishings at customerservice@afifurnishings.com or 1-800-955-3726

PARTS LIST

- | | | |
|---|-----------------|-------|
| 1 | FOOT RAIL | 1 PC |
| 2 | LEFT LEG | 1 PC |
| 3 | RIGHT LEG | 1 PC |
| 4 | SIDE RAILS | 2 PCS |
| 5 | SLAT KIT | 2 SET |
| 6 | HB SUPPORT RAIL | 1 PC |
| 7 | FB SUPPORT RAIL | 1 PC |
| 8 | SUPPORT LEGS | 3 PCS |

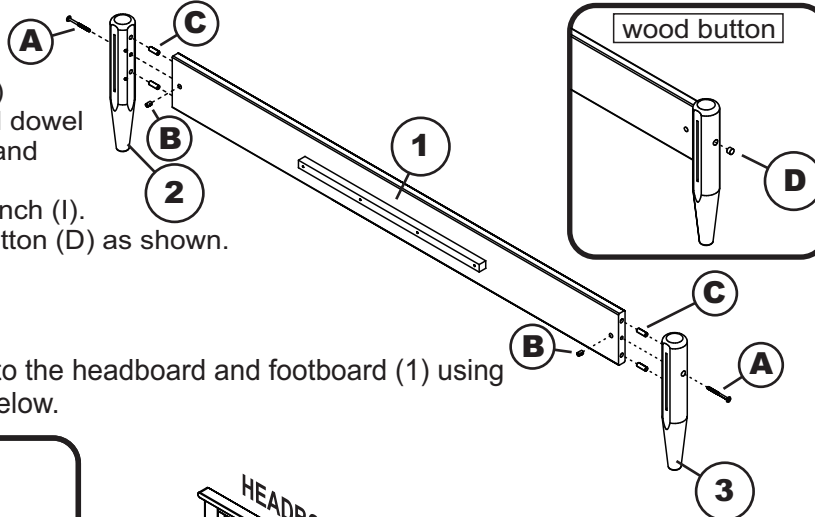
HARDWARE

- | | | | |
|---|---|---|---|
| A | JCB M6 X 70mm (2 3/4") - 2 pcs
Spare - 1 pc | F | Cap Nut - 6 pcs |
| B | Barrel nut - 2 pcs | G | JCB M8 X 40mm (1 5/8") - 3 pcs
Spare - 1 pc |
| C | Wood dowel 10 X 30mm(1 1/4") - 4 pcs
Spare - 1 pc | H | Wood screw(1 1/4") - 14 pcs
Spare - 1 pc |
| D | Wood button - 2 pcs
Spare - 1 pc | I | Allen wrench M4 - 1pc
Spare - 1pc |
| E | JCB M6 X 30mm (1 1/8") - 6 pcs
Spare - 1 pc | J | Allen wrench M5 - 1pc |

NOTE: WE INCLUDE SPARE HARDWARE IN CASE DAMAGE OCCURS DURING ASSEMBLY.

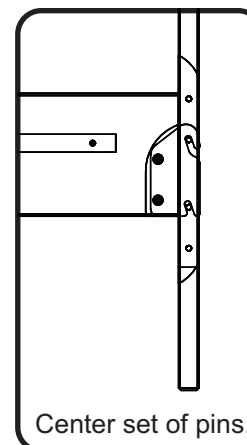
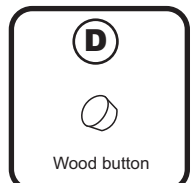
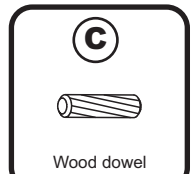
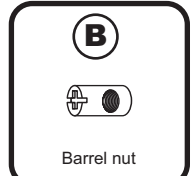
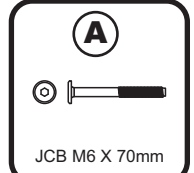
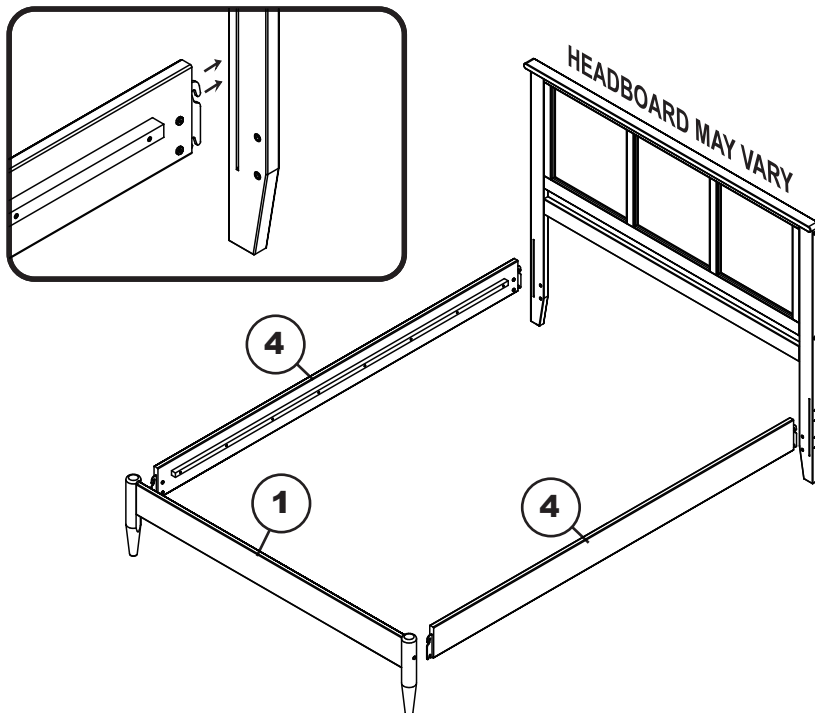
Step 1

Attach the legs (2) and (3) to foot rail (1), using wood dowel (C) JCB M6 X 70mm (A) and barrel nut (B).
Tighten with the Allen wrench (I).
Cover holes with wood button (D) as shown.



Step 2

Attach the side rails (04) to the headboard and footboard (1) using the bed hook as shown below.



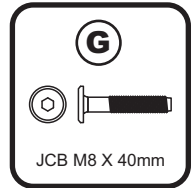
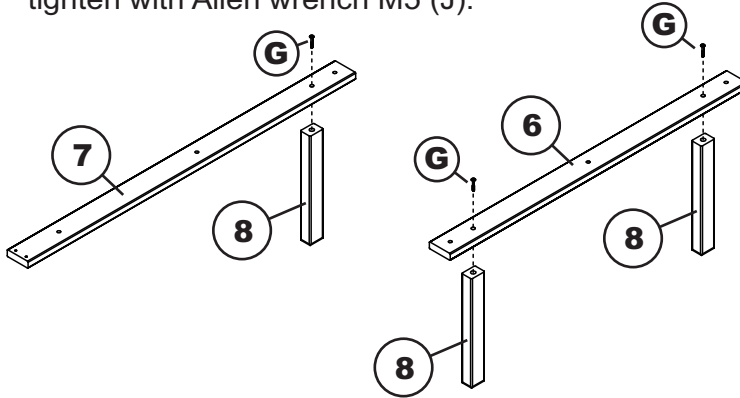
PO:

CODE	ITEM
FR-PDA-STO	R-21034X

QUEEN

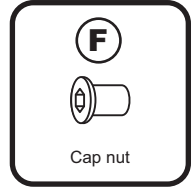
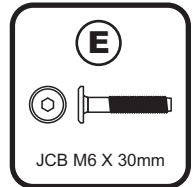
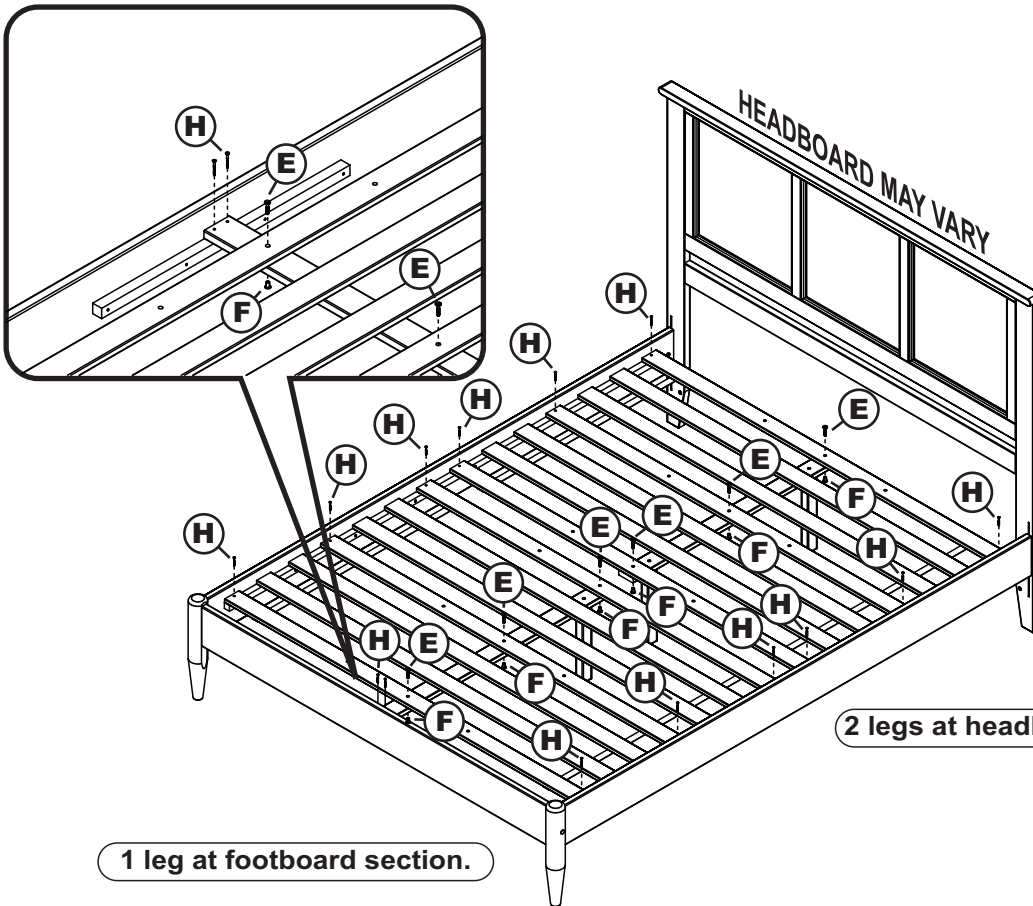
Step 3

Attach support leg (8) to support rail (6)(7) as shown below. Using JCB M8 (G) tighten with Allen wrench M5 (J).



Step 4

Attach HB support rail (6) and FB support rail (7) to the slat kit (5) as shown below using JCB M6 X 30mm (E) and cap nut (F). Tighten with Allen wrench M4 (I). Using wood screw (H) tighten with Phillips head screwdriver. (Customer supplied)



Congratulations!

Your bed is now ready for use.

We recommend that you periodically recheck that all screws are tight to ensure lasting safety.