

## ASSEMBLY INSTRUCTIONS

Before assembling your bed, please read through these instructions carefully and familiarize yourself with the different parts.

**ATTENTION!** If you receive a damaged or defective item, please contact afifurnishings at [customerservice@afifurnishings.com](mailto:customerservice@afifurnishings.com) or 1-800-955-3726



### PARTS LIST

- 1 HEADBOARD PANEL 1 PC
- 2 LEFT LEG 1 PC
- 3 RIGHT LEG 1 PC
- 4 PACKING STICK 2 PCS
- 5 WOOD DOWELS (Factory Installed) 4 PCS
- 6 FOOTBOARD 1 PC

Instructions apply for bed sizes  
TWIN > TWIN XL > FULL

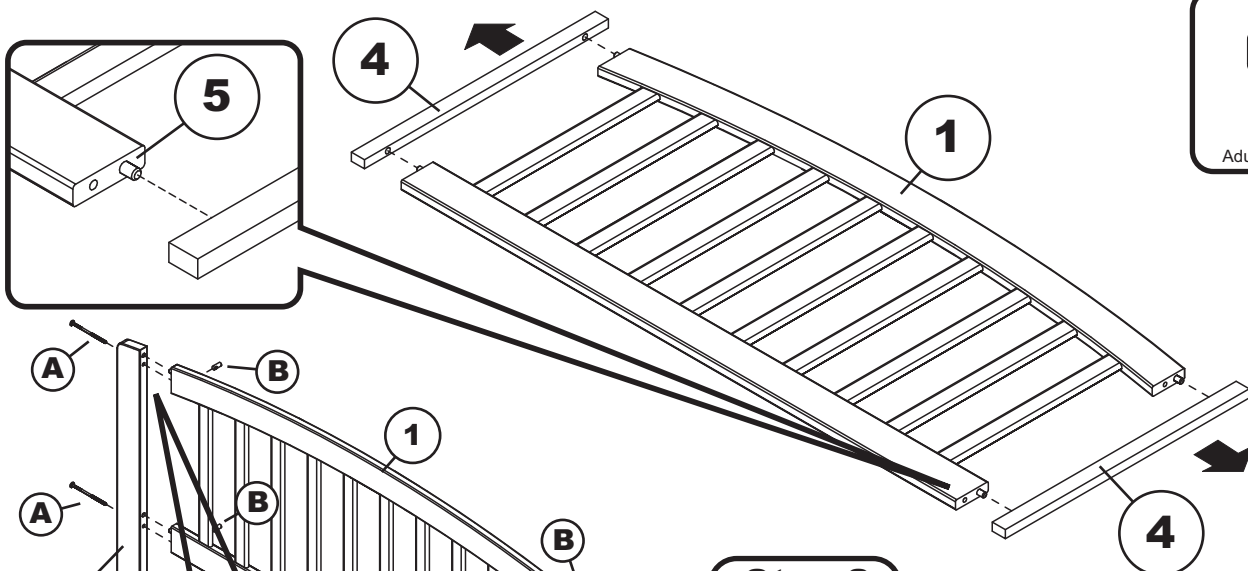
### HARDWARE

- A** JCB M6 X 110mm (4 3/8") - 4 pcs  
Spare - 1 pc
- B** Barrel nut - 4 pcs  
Spare - 1 pc
- C** Allen wrench - 1pc  
Spare - 1pc

NOTE: WE INCLUDE SPARE HARDWARE IN CASE DAMAGE OCCURS DURING ASSEMBLY.

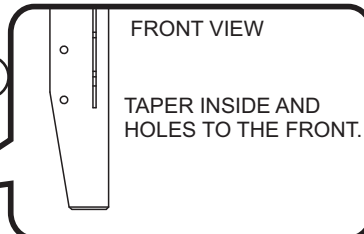
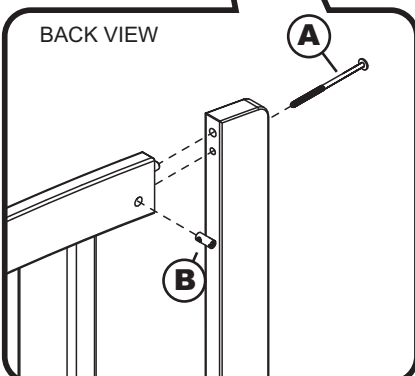
### Step 1

Remove packing stick (4) from headboard panel (1) as shown below and **DISCARD**.



### Step 2

Attach the legs (2) and (3) to headboard panel (1), using JCB (A) and barrel nut (B). Tighten with the Allen wrench (C).



CODE	ITEM
HBFB-RCM	R-28872X
HBFB-RCM	R-28873X
HBFB-RCM	R-28871X

**Congratulations!**

**PO :**

Your headboard is now assembled.

To ensure lasting safety, we recommend that you periodically check that all screws are tight and all parts are secure.

## TWIN XL

### ASSEMBLY INSTRUCTIONS

Before assembling your bed frame, please read through these instructions carefully and familiarize yourself with the different parts.

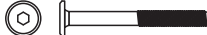
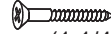






**ATTENTION!** If you receive a damaged or defective item, please contact afifurnishings at [customerservice@afifurnishings.com](mailto:customerservice@afifurnishings.com) or 1-800-955-3726

#### PARTS LIST

- |   |                   |              |
|---|-------------------|--------------|
| ① | <b>FOOT RAIL</b>  | <b>1 PC</b>  |
| ② | <b>LEFT LEG</b>   | <b>1 PC</b>  |
| ③ | <b>RIGHT LEG</b>  | <b>1 PC</b>  |
| ④ | <b>SIDE RAILS</b> | <b>2 PCS</b> |
| ⑤ | <b>SLAT KIT</b>   | <b>2 SET</b> |

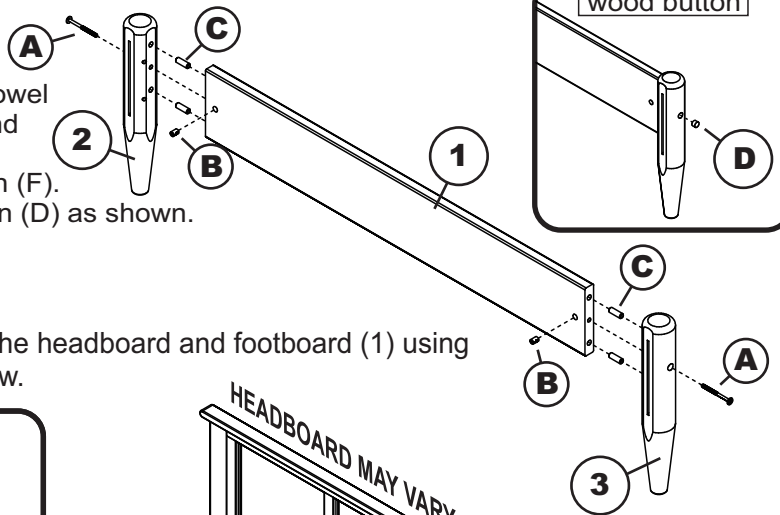
#### HARDWARE

- |   |   |
|---|---|
| <br><b>(A)</b> JCB M6 X 70mm (2 3/4") - 2 pcs<br>Spare - 1 pc        | <br><b>(E)</b> Wood screw(1 1/4") - 12 pcs<br>Spare - 1 pc |
| <br><b>(B)</b> Barrel nut - 2 pcs                                    | <br><b>(F)</b> Allen wrench M4 - 1pc<br>Spare - 1pc        |
| <br><b>(C)</b> Wood dowel 10 X 30mm( 1 1/4") - 4 pcs<br>Spare - 1 pc |   |
| <br><b>(D)</b> Wood button - 2 pcs<br>Spare - 1 pc                   |   |

NOTE: WE INCLUDE SPARE HARDWARE IN CASE DAMAGE OCCURS DURING ASSEMBLY.

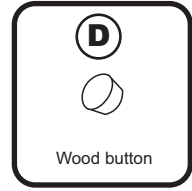
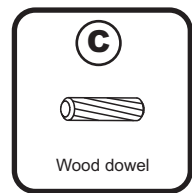
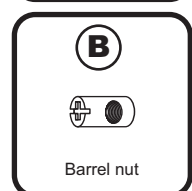
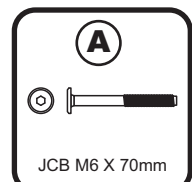
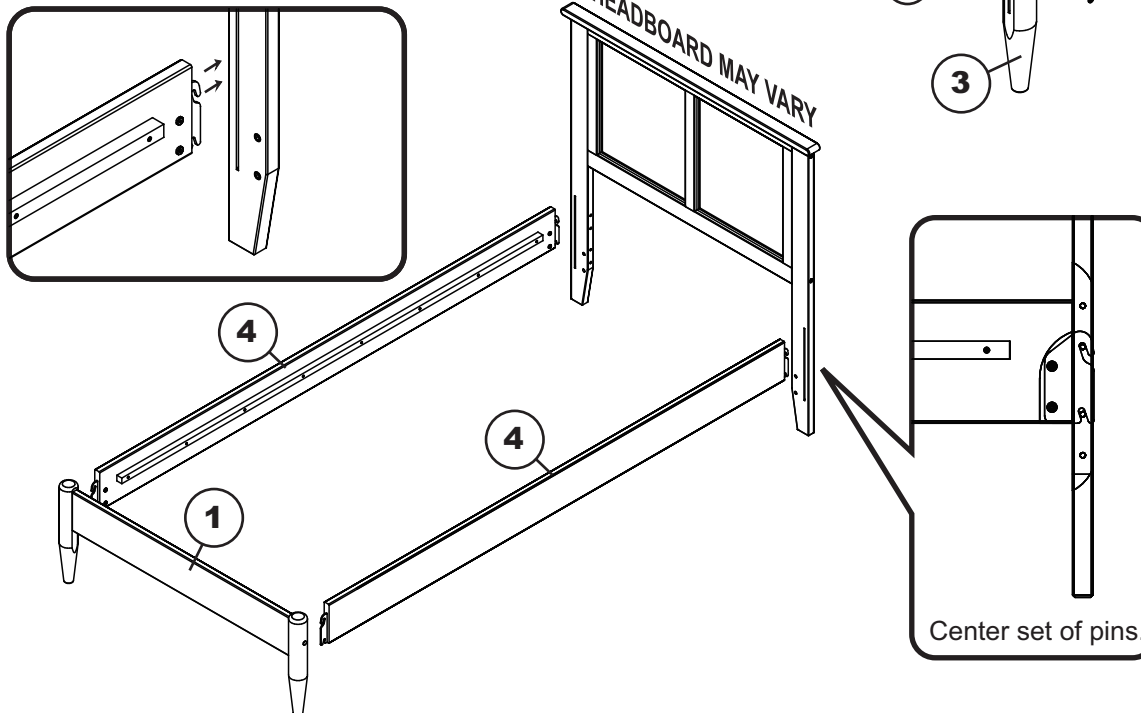
#### Step 1

Attach the legs (2) and (3) to foot rail (1), using wood dowel (C) JCB M6 X 100mm (A) and barrel nut (B). Tighten with the Allen wrench (F). Cover holes with wood button (D) as shown.



#### Step 2

Attach the side rails (04) to the headboard and footboard (1) using the bed hook as shown below.



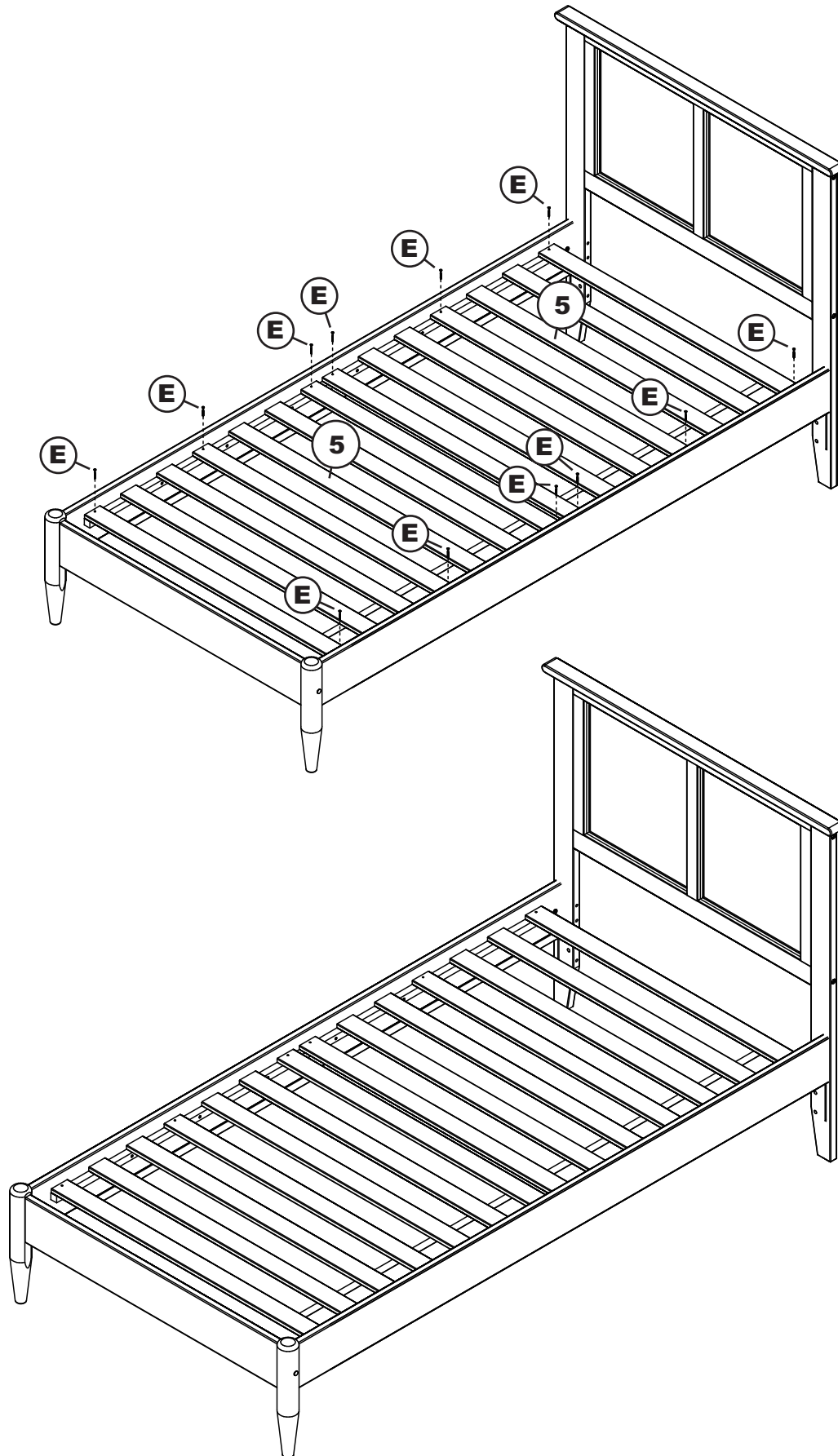
PO:

<b>CODE</b>	<b>ITEM</b>
FR-PDA-STO	R-21031X

## TWIN XL

### Step 3

Attach slat kit (5) to the bed as shown below. Using wood screw (E) tighten with Phillips head screwdriver. ( Customer supplied )



**Congratulations!**

Your bed is now ready for use.

We recommend that you periodically recheck that all screws are tight to ensure lasting safety.