

KING

ASSEMBLY INSTRUCTIONS

Before assembling your bed frame, please read through these instructions carefully and familiarize yourself with the different parts.



ATTENTION! If you receive a damaged or defective item, please contact afifurnishings at customerservice@afifurnishings.com or 1-800-955-3726

PARTS LIST

- | | | |
|---|------------------------|--------------|
| ① | FOOT RAIL | 1 PC |
| ② | LEFT LEG | 1 PC |
| ③ | RIGHT LEG | 1 PC |
| ④ | SIDE RAILS | 2 PCS |
| ⑤ | SLAT KIT | 2 SET |
| ⑥ | HB SUPPORT RAIL | 1 PC |
| ⑦ | FB SUPPORT RAIL | 1 PC |
| ⑧ | SUPPORT LEGS | 3 PCS |

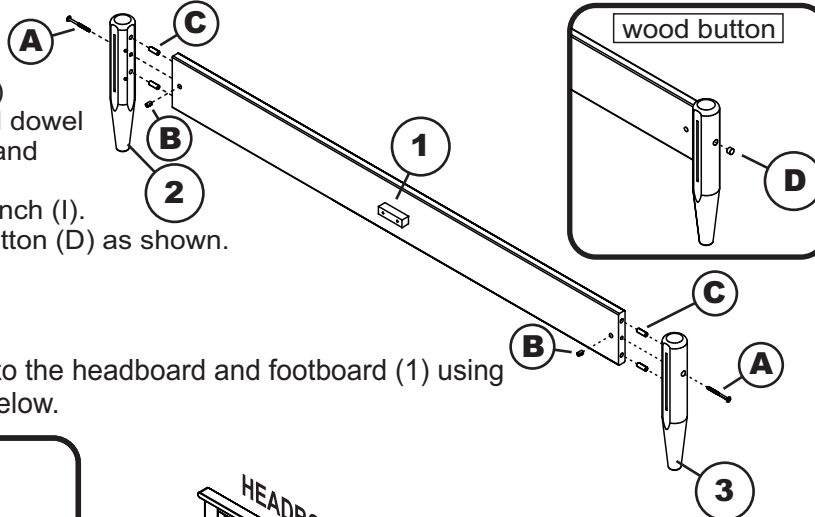
HARDWARE

- | | | | |
|---|---|---|---|
| ① | JCB M6 X 70mm (2 3/4") - 2 pcs
Spare - 1 pc | ② | Cap Nut - 6 pcs |
| ③ | Barrel nut - 2 pcs | ③ | JCB M8 X 40mm (1 5/8") - 3 pcs
Spare - 1 pc |
| ④ | Wood dowel 10 X 30mm(1 1/4") - 4 pcs
Spare - 1 pc | ④ | Wood screw(1 1/4") - 14 pcs
Spare - 1 pc |
| ⑤ | Wood button - 2 pcs
Spare - 1 pc | ⑤ | Allen wrench M4 - 1pc
Spare - 1pc |
| ⑥ | JCB M6 X 30mm (1 1/8") - 6 pcs
Spare - 1 pc | ⑥ | Allen wrench M5 - 1pc |

NOTE: WE INCLUDE SPARE HARDWARE IN CASE DAMAGE OCCURS DURING ASSEMBLY.

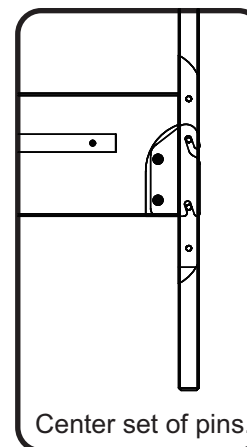
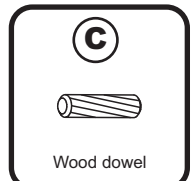
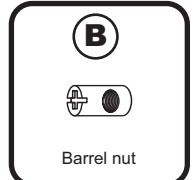
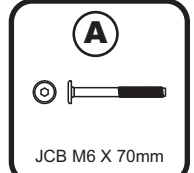
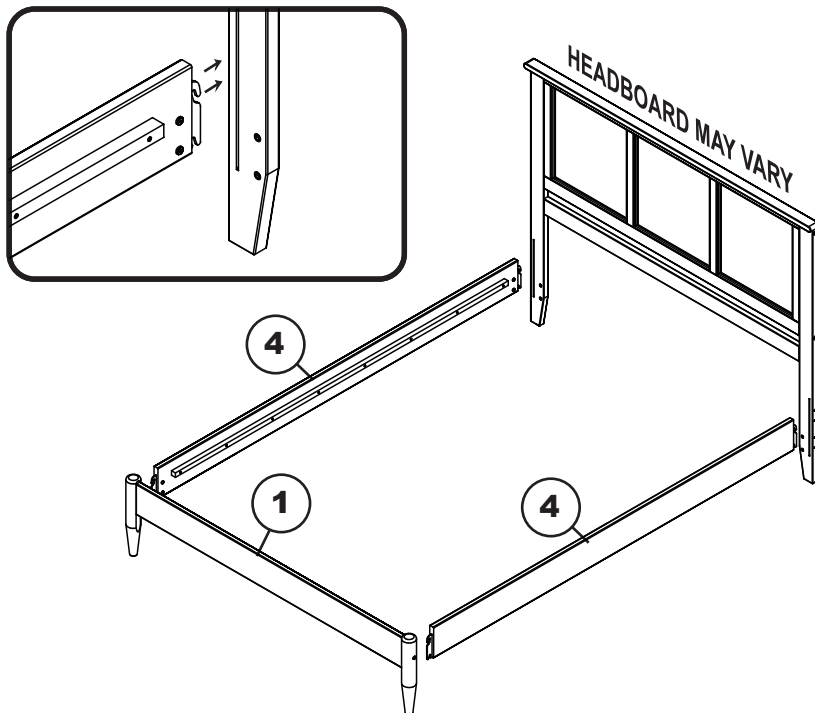
Step 1

Attach the legs (2) and (3) to foot rail (1), using wood dowel (C) JCB M6 X 70mm (A) and barrel nut (B).
Tighten with the Allen wrench (I).
Cover holes with wood button (D) as shown.



Step 2

Attach the side rails (04) to the headboard and footboard (1) using the bed hook as shown below.



PO:

CODE	ITEM
FR-PDA-STO	R-21035X

ASSEMBLY INSTRUCTIONS

Before assembling your headboard, please read through these instructions carefully and familiarize yourself with the different parts.

ATTENTION! If you receive a damaged or defective item, please contact afifurnishings at customerservice@afifurnishings.com or 1-800-955-3726



PARTS LIST

- 1 HEADBOARD PANEL 1 PC
- 2 LEFT LEG 1 PC
- 3 RIGHT LEG 1 PC
- 4 PILLOW STOP 1 PC
- 5 PACKING STICK 2 PCS

Instructions apply for bed sizes
QUEEN > KING

HARDWARE

- A Wooden dowel - 4 pcs
Spare - 2 pc
- B JCB M6 X 120mm (4 3/4") - 4 pcs
Spare - 1 pc
- C Barrel nut - 4 pcs
Spare - 1 pc
- D Wood button - 4 pcs
Spare - 1 pc
- H Allen wrench - 1 pc
Spare - 1 pc

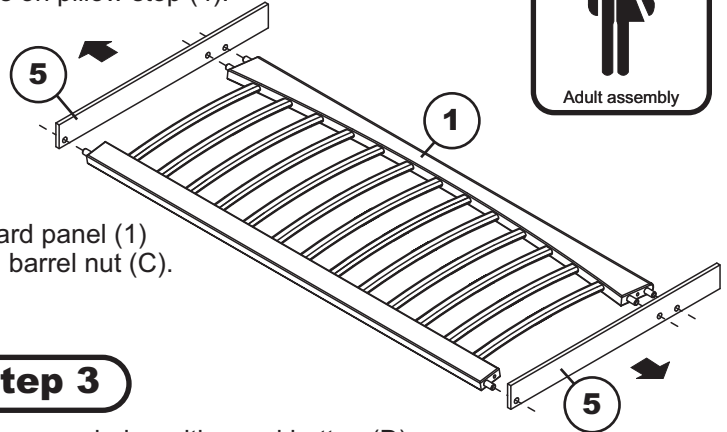
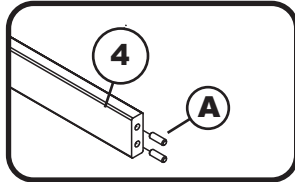
HARDWARE FOR METAL BED FRAME

- E JCB M6 X 25mm (1") - 4 pcs
Spare - 1 pc
- F Flat washer - 4 pcs
Spare - 1 pc
- G Split washer - 4 pcs
Spare - 1 pc

NOTE: WE INCLUDE SPARE HARDWARE IN CASE DAMAGE OCCURS DURING ASSEMBLY.

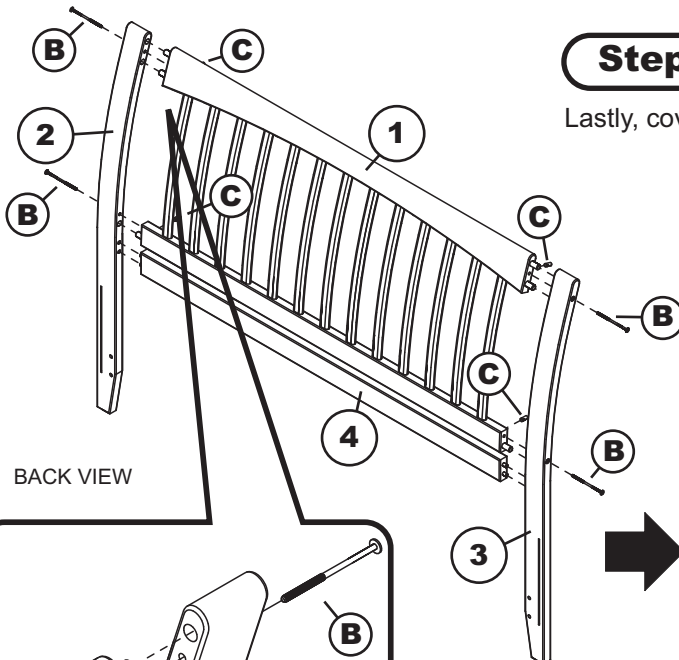
Step 1

Remove packing stick (5) from headboard panel (1) and **DISCARD**. Insert wooden dowels (A) to the locator holes on pillow stop (4).



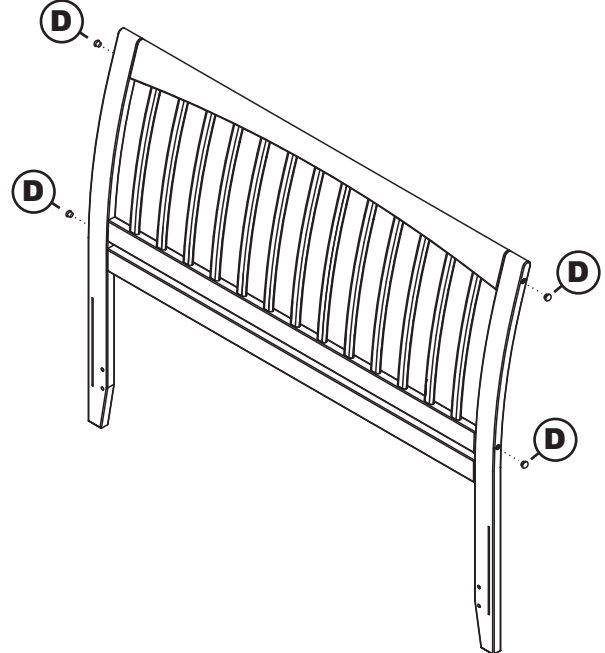
Step 2

Attach the legs (2) and (3) to headboard panel (1) and pillow stop (4) using JCB (B) and barrel nut (C). Tighten with the Allen wrench (H).

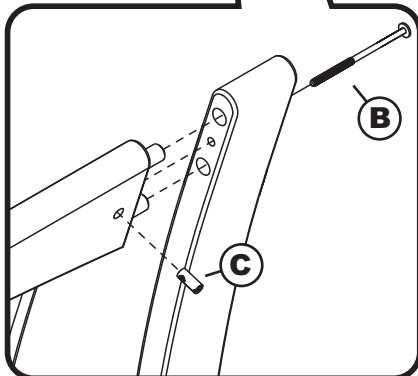


Step 3

Lastly, cover holes with wood button (D).



BACK VIEW



CODE
HB-OLN
HB-OLN

ITEM
R-29284X
R-29285X

PO:

If you purchased a wood headboard to attach to metal bed frame, please refer to page 2.

ASSEMBLY INSTRUCTIONS

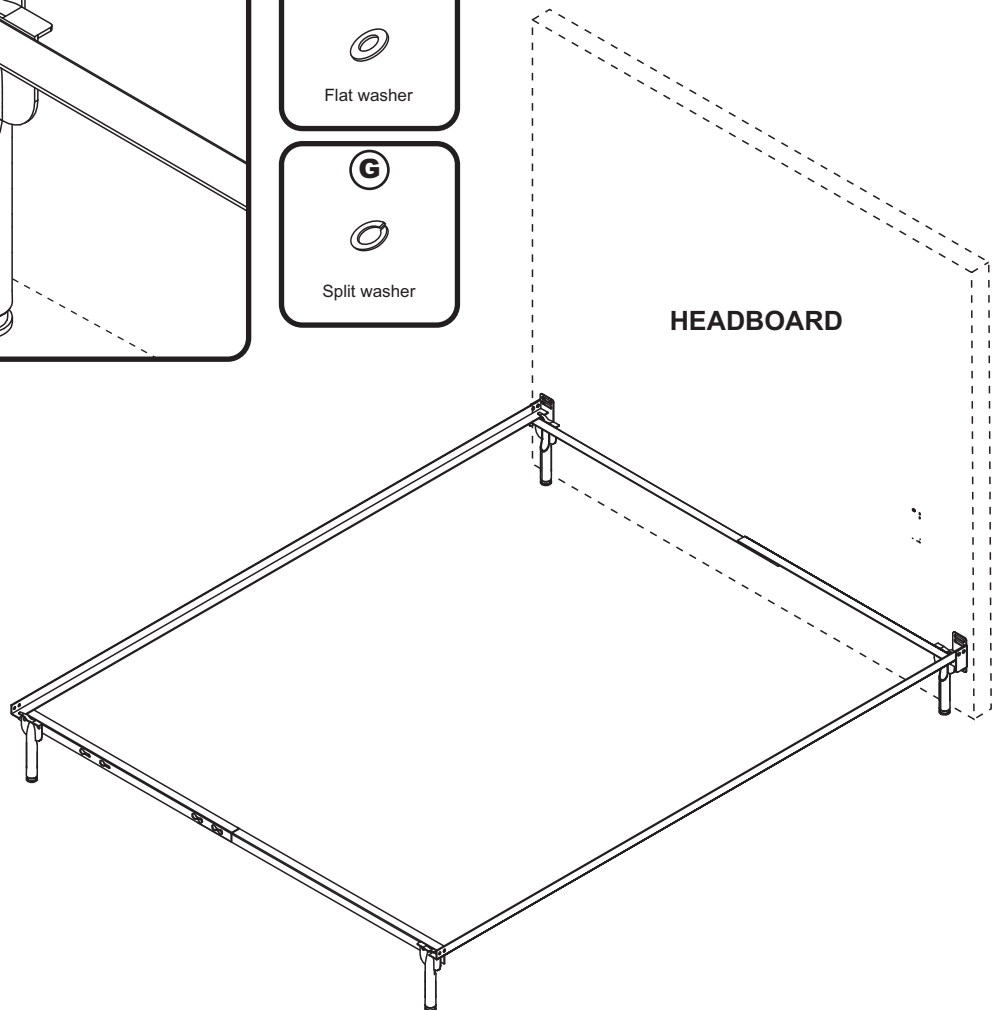
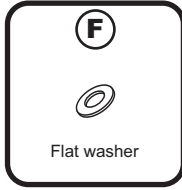
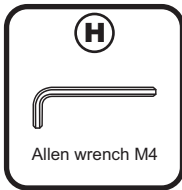
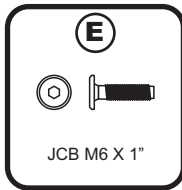
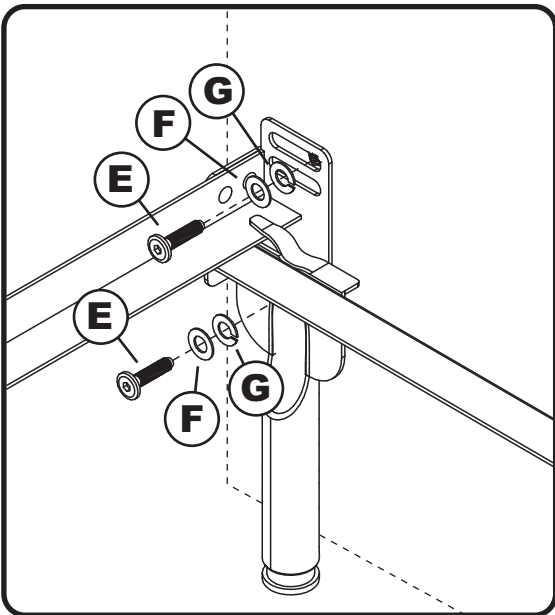
Before assembling your bed, please read through these instructions carefully and familiarize yourself with the different parts.

Instructions apply for bed sizes
TWIN > FULL > QUEEN > KING



Metal bed frames are sold separately from wood headboards. The hardware shown on this page is supplied with your wood headboard for attaching the bed frame to the headboard. The metal bed frame is supplied with its own assembly instructions and hardware.

Step 1 Attach the headboard assembly to the metal frame using JCB (E), flat washer (F), and split washer (G) then tighten with Allen wrench (H), as shown below.



Congratulations!

Your bed is now ready for use.
To ensure lasting safety, we recommend that you periodically check that all screws are tight and all parts are secure.