

TWIN

ASSEMBLY INSTRUCTIONS

Before assembling your bed frame, please read through these instructions carefully and familiarize yourself with the different parts.

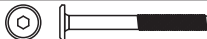
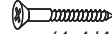






ATTENTION! If you receive a damaged or defective item, please contact afifurnishings at customerservice@afifurnishings.com or 1-800-955-3726

PARTS LIST

- | | | |
|---|-------------------|--------------|
| ① | FOOT RAIL | 2 PCS |
| ② | LEFT LEG | 2 PCS |
| ③ | RIGHT LEG | 2 PCS |
| ④ | SIDE RAILS | 2 PCS |
| ⑤ | SLAT KIT | 2 SET |

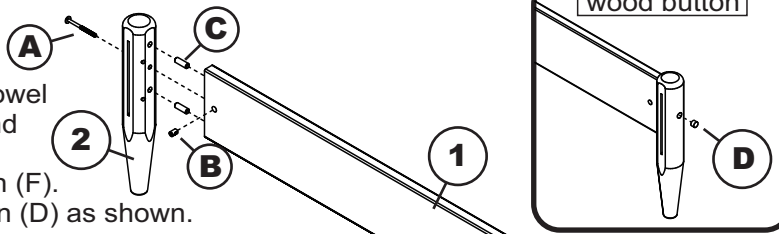
HARDWARE

- | | | | | | |
|---|---|--|---|---|--|
| ① |  | A JCB M6 X 70mm (2 3/4") - 2 pcs
Spare - 1 pc | ⑤ |  | E Wood screw(1 1/4") - 12 pcs
Spare - 1 pc |
| ② |  | B Barrel nut - 2 pcs | ⑥ |  | F Allen wrench M4 - 1 pc
Spare - 1 pc |
| ③ |  | C Wood dowel 10 X 30mm(1 1/4") - 4 pcs
Spare - 1 pc | ⑦ |  | D Wood button - 2 pcs
Spare - 1 pc |

NOTE: WE INCLUDE SPARE HARDWARE IN CASE DAMAGE OCCURS DURING ASSEMBLY.

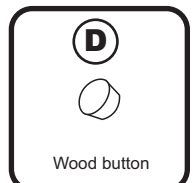
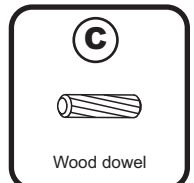
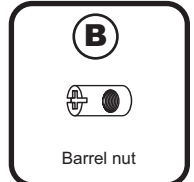
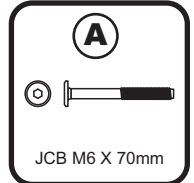
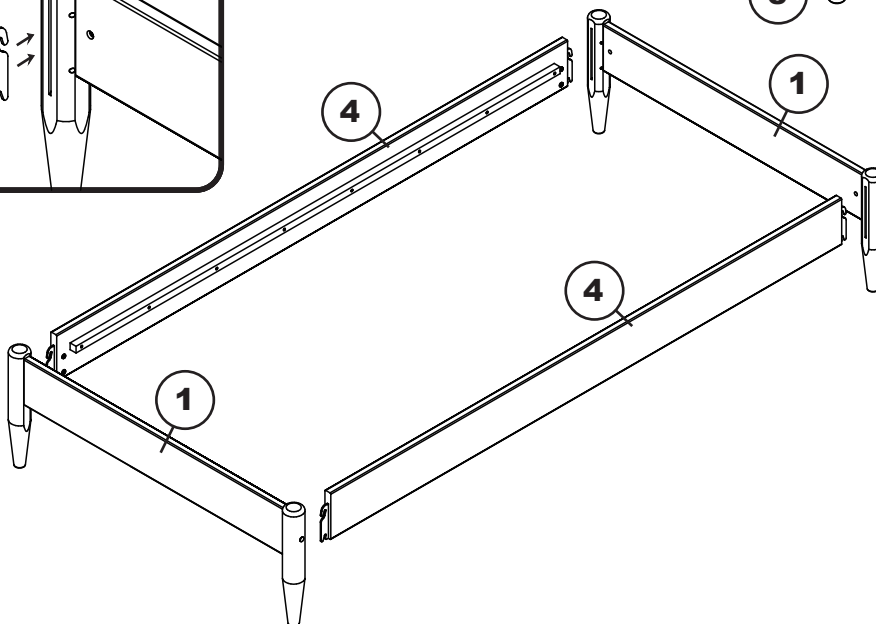
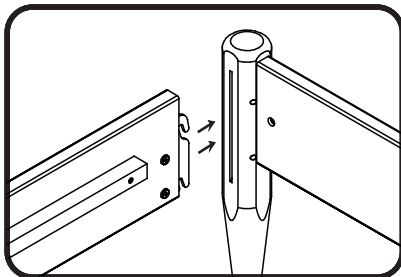
Step 1

Attach the legs (2) and (3) to foot rail (1), using wood dowel (C) JCB M6 X 100mm (A) and barrel nut (B). Tighten with the Allen wrench (F). Cover holes with wood button (D) as shown.



Step 2

Attach the side rails (04) to the foot rail (1) using the bed hook as shown below.



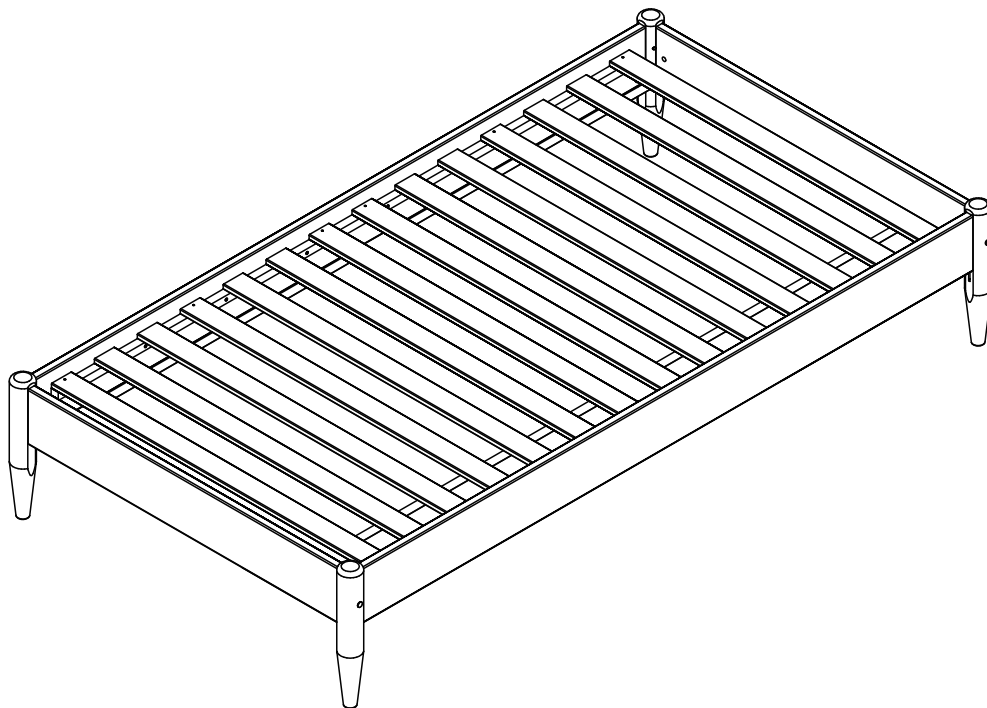
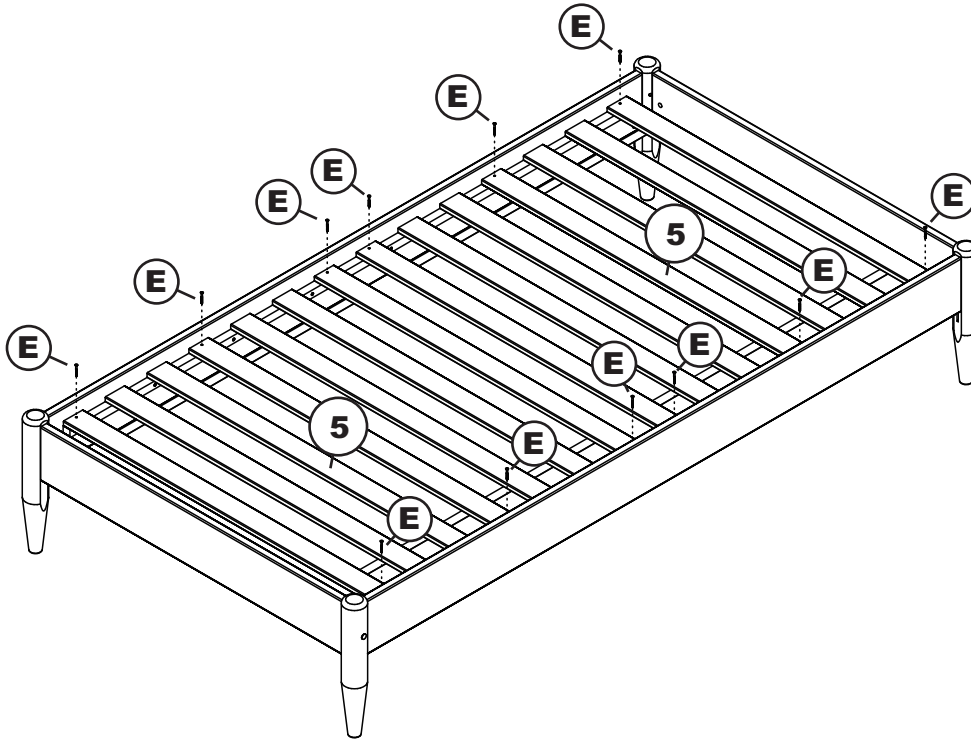
PO:

CODE	ITEM
BD-PDA-ST	R-21132X

TWIN

Step 3

Attach slat kit (5) to the bed as shown below. Using wood screw (E) tighten with Phillips head screwdriver. (Customer supplied)



Congratulations!

Your bed is now ready for use.

We recommend that you periodically recheck that all screws are tight to ensure lasting safety.