

## TWIN XL

### ASSEMBLY INSTRUCTIONS

Before assembling your bed frame, please read through these instructions carefully and familiarize yourself with the different parts.

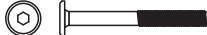
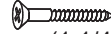






**ATTENTION!** If you receive a damaged or defective item, please contact afifurnishings at [customerservice@afifurnishings.com](mailto:customerservice@afifurnishings.com) or 1-800-955-3726

#### PARTS LIST

- |   |                   |              |
|---|-------------------|--------------|
| ① | <b>FOOT RAIL</b>  | <b>2 PCS</b> |
| ② | <b>LEFT LEG</b>   | <b>2 PCS</b> |
| ③ | <b>RIGHT LEG</b>  | <b>2 PCS</b> |
| ④ | <b>SIDE RAILS</b> | <b>2 PCS</b> |
| ⑤ | <b>SLAT KIT</b>   | <b>2 SET</b> |

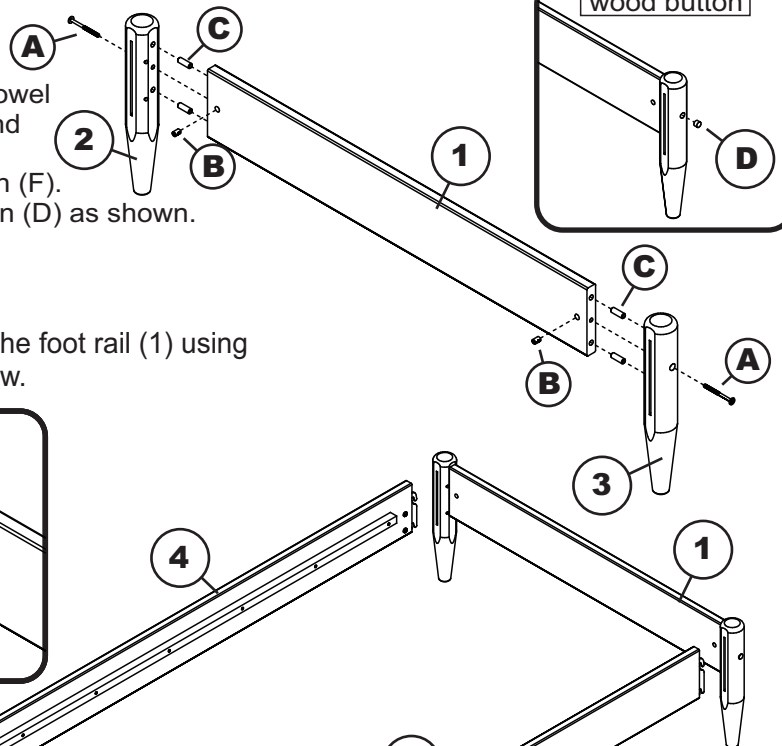
#### HARDWARE

- |   |   |
|---|---|
| <br><b>(A)</b> JCB M6 X 70mm (2 3/4") - 2 pcs<br>Spare - 1 pc        | <br><b>(E)</b> Wood screw(1 1/4") - 12 pcs<br>Spare - 1 pc |
| <br><b>(B)</b> Barrel nut - 2 pcs                                    | <br><b>(F)</b> Allen wrench M4 - 1 pc<br>Spare - 1 pc      |
| <br><b>(C)</b> Wood dowel 10 X 30mm( 1 1/4") - 4 pcs<br>Spare - 1 pc |   |
| <br><b>(D)</b> Wood button - 2 pcs<br>Spare - 1 pc                   |   |

NOTE: WE INCLUDE SPARE HARDWARE IN CASE DAMAGE OCCURS DURING ASSEMBLY.

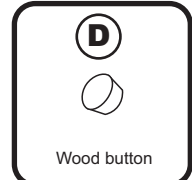
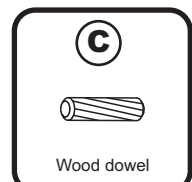
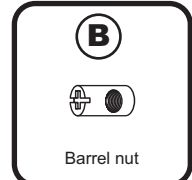
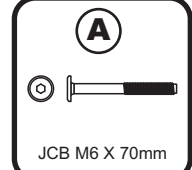
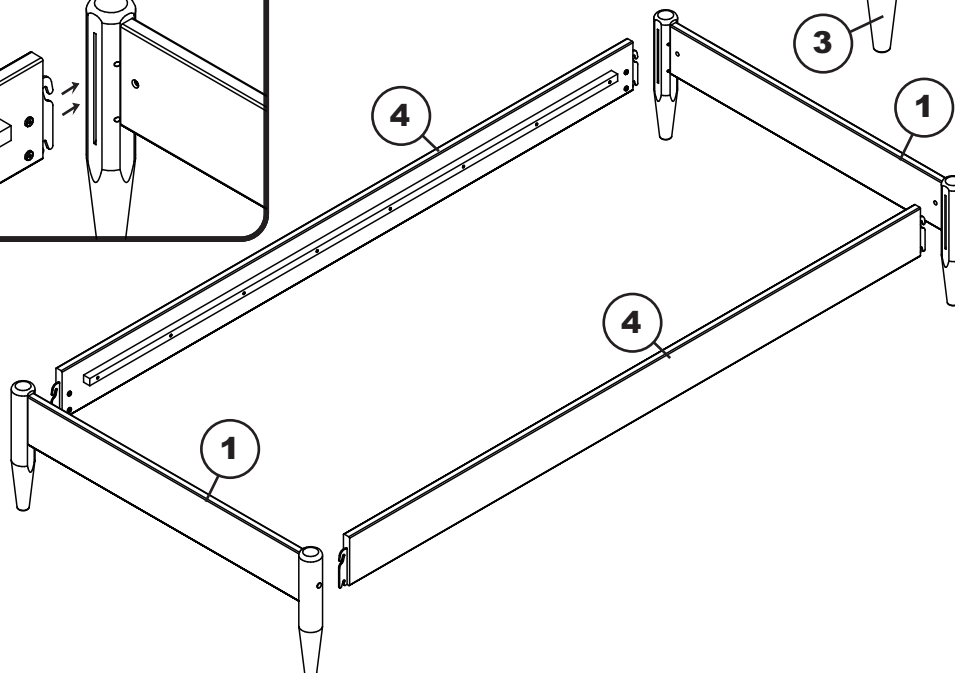
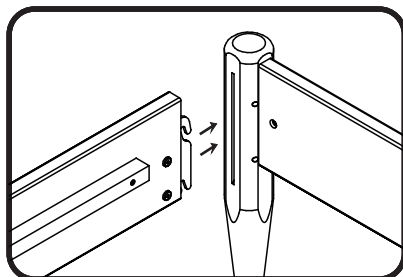
#### Step 1

Attach the legs (2) and (3) to foot rail (1), using wood dowel (C) JCB M6 X 100mm (A) and barrel nut (B). Tighten with the Allen wrench (F). Cover holes with wood button (D) as shown.



#### Step 2

Attach the side rails (04) to the foot rail (1) using the bed hook as shown below.



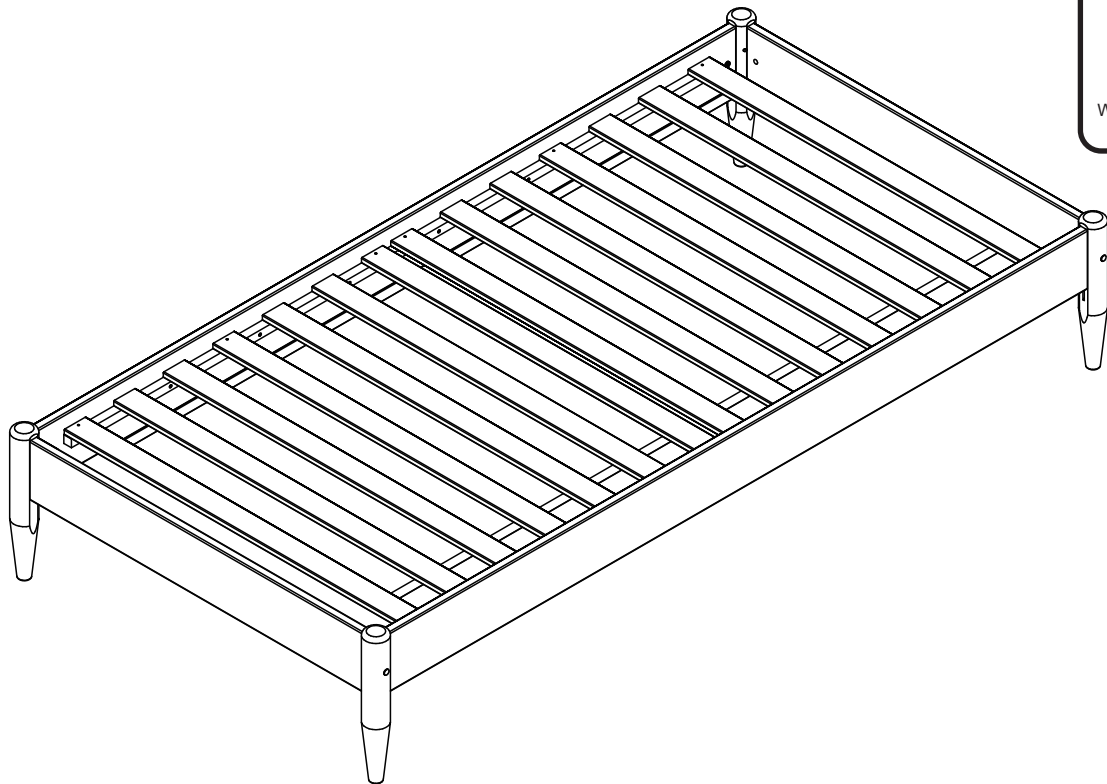
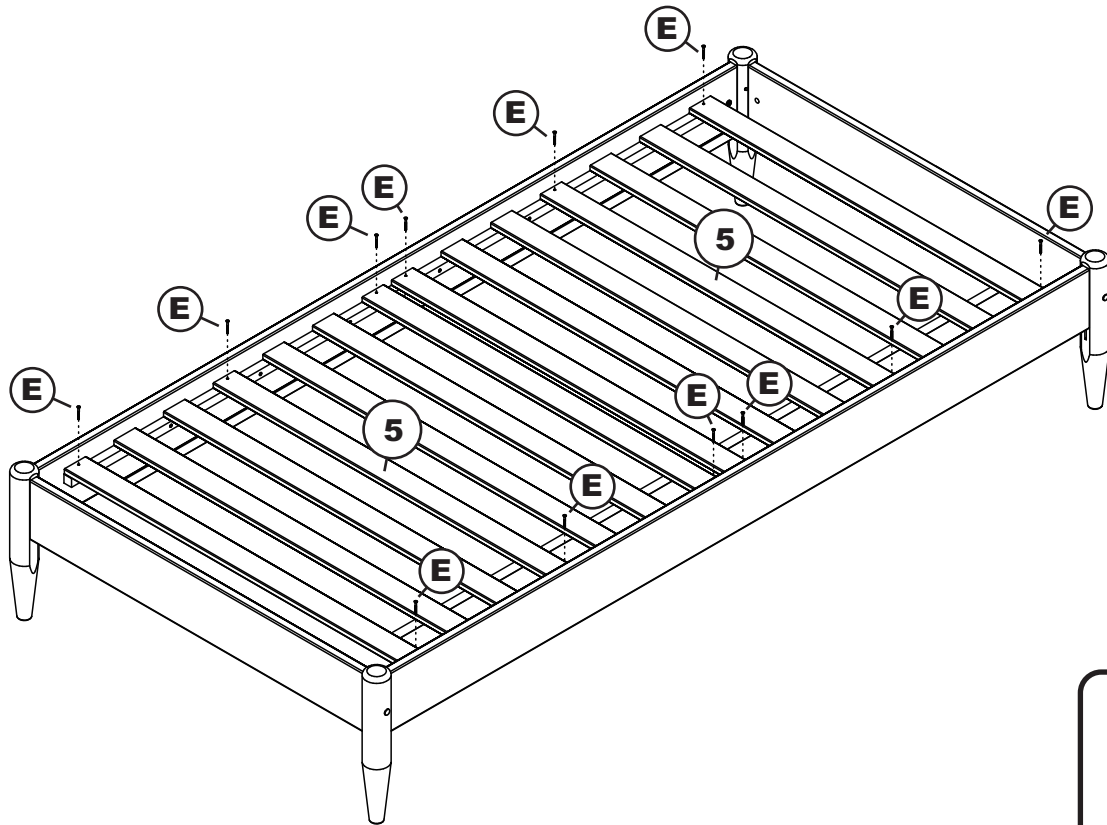
**PO:**

<b>CODE</b>	<b>ITEM</b>
BD-PDA-ST	R-21131X

## TWIN XL

### Step 3

Attach slat kit (5) to the bed as shown below. Using wood screw (E) tighten with Phillips head screwdriver. ( Customer supplied )



**Congratulations!**

Your bed is now ready for use.

We recommend that you periodically recheck that all screws are tight to ensure lasting safety.