

ASSEMBLY INSTRUCTIONS

Before assembling your headboard, please read through these instructions carefully and familiarize yourself with the different parts.

ATTENTION! If you receive a damaged or defective item, please contact afifurnishings at customerservice@afifurnishings.com or 1-800-955-3726



PARTS LIST

- 1 HEADBOARD PANEL 1 PC
- 2 LEFT LEG 1 PC
- 3 RIGHT LEG 1 PC
- 4 PILLOW STOP 1 PC

Instructions apply for bed sizes
QUEEN > KING

HARDWARE

- A Wooden dowel - 4 pcs
Spare - 1 pc
- B JCB M6 X 40mm (1 1/2") - 6 pcs
Spare - 1 pc
- C JCB M6 X 110mm (4 3/8") - 2 pcs
Spare - 1 pc
- D Barrel Nut - 2 pcs
- E Allen wrench - 1 pc
Spare - 1 pc

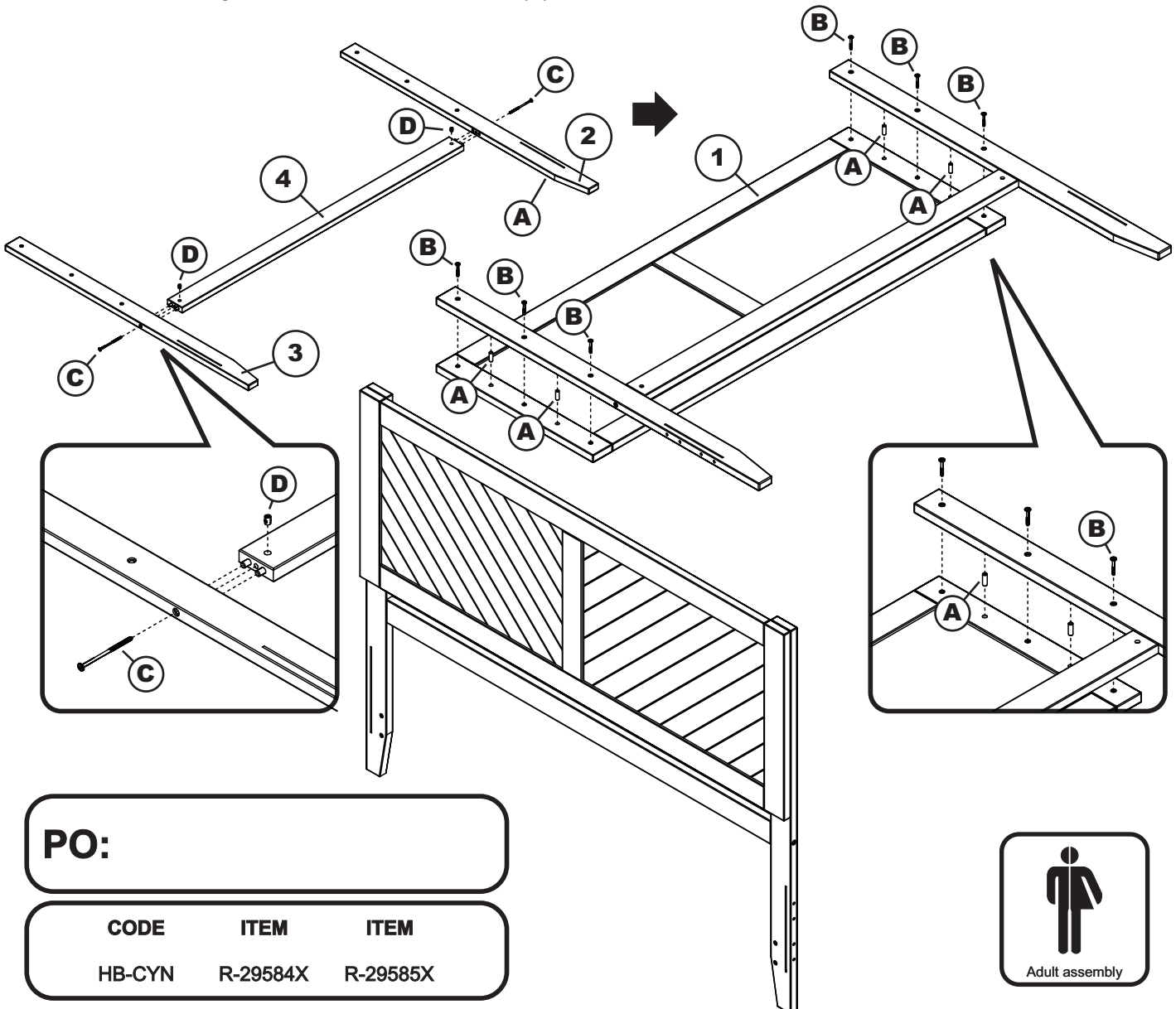
HARDWARE FOR METAL BED FRAME

- F JCB M6 X 25mm (1") - 4 pcs
Spare - 1 pc
- G Flat washer - 4 pcs
Spare - 1 pc
- H Split washer - 4 pcs
Spare - 1 pc

NOTE: WE INCLUDE SPARE HARDWARE IN CASE DAMAGE OCCURS DURING ASSEMBLY.

Step 1

Attach the legs (2) and (3) to pillow stop (4), using JCB (C) and barrel nut (D). Do not tighten at this step. Attach leg assembly to headboard panel (1), using wood dowels (A) and JCB (B). Tighten all with the Allen wrench (E).



PO:

CODE	ITEM	ITEM
HB-CYN	R-29584X	R-29585X



If you purchased a wood headboard to attach to metal bed frame, please refer to page 2.

ASSEMBLY INSTRUCTION (QUEEN)

Before assembling your bed slat kit, please read through these instructions carefully and familiarize yourself with the different parts. Please note that you will require a Phillips screwdriver and an Allen wrench.

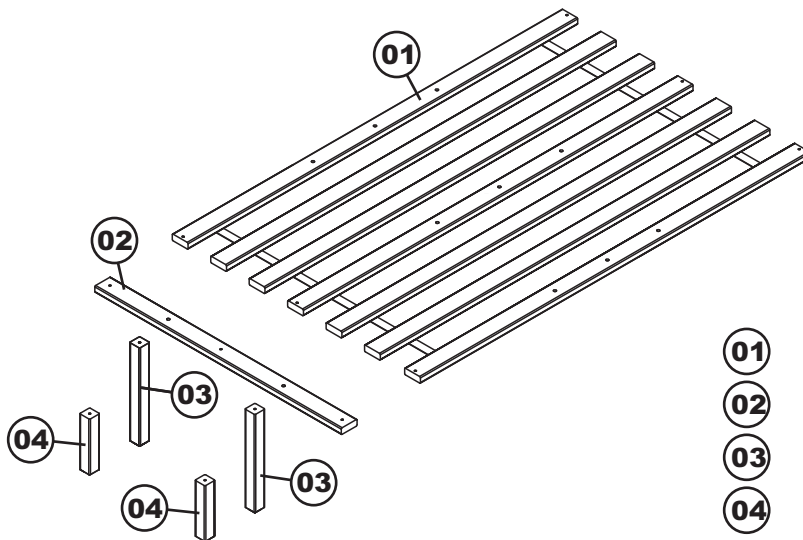
ATTENTION! If you receive a damaged or defective item, please contact affurnishings at customerservice@afifurnishings.com or 1-800-955-3726



PARTS LIST

CODE	ITEM
SL-PF	E-65403

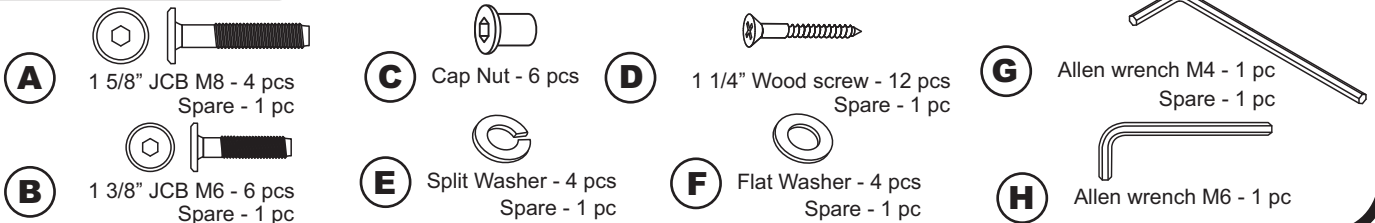
PO :



01	SLAT SECTION	2 SET
02	SUPPORT RAIL	2 PCS
03	TALL SUPPORT LEG	4 PCS
04	SHORT SUPPORT LEG	4 PCS

HARDWARE

NOTE: WE INCLUDE SPARE HARDWARE IN CASE DAMAGE OCCURS DURING ASSEMBLY.

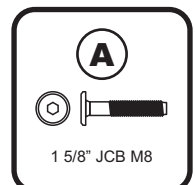
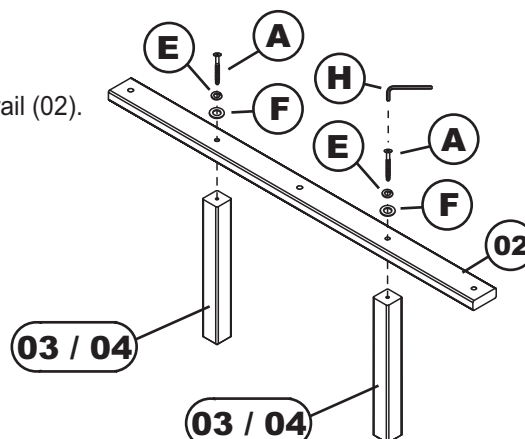
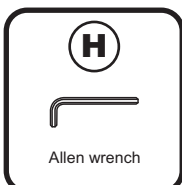


Step 1

Assemble bed frame according to assembly instructions.
If using mattress and foundation set the bed up low and use short support leg.
If using Storage Drawers or Trundle Bed choose the tall support leg.

Step 2

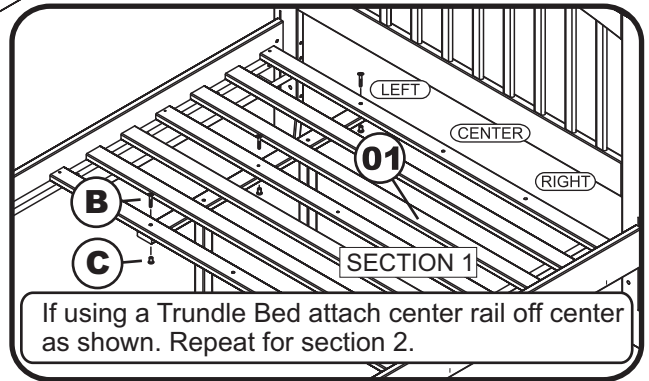
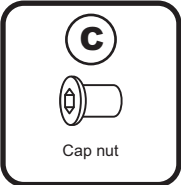
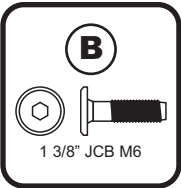
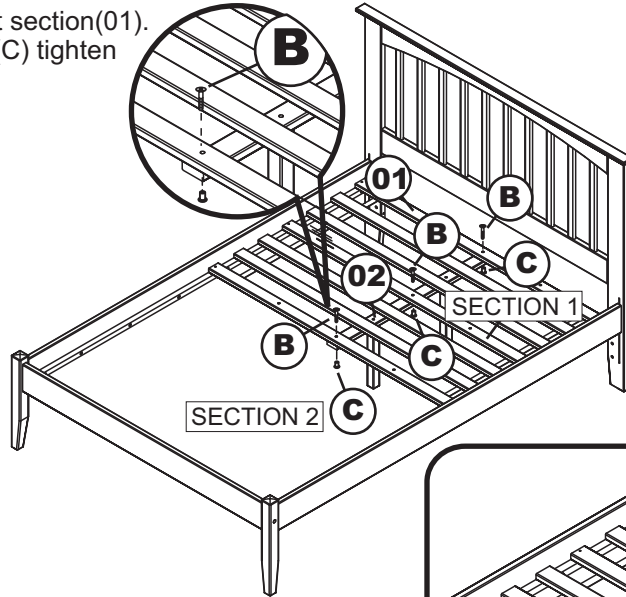
Assemble support leg (03 / 04) and support rail (02).
Using JCB(A) split and flat washer (E)(F).
Tighten with the Allen wrench M6 (H).
Repeat for other support rail.



(QUEEN)

Step 3

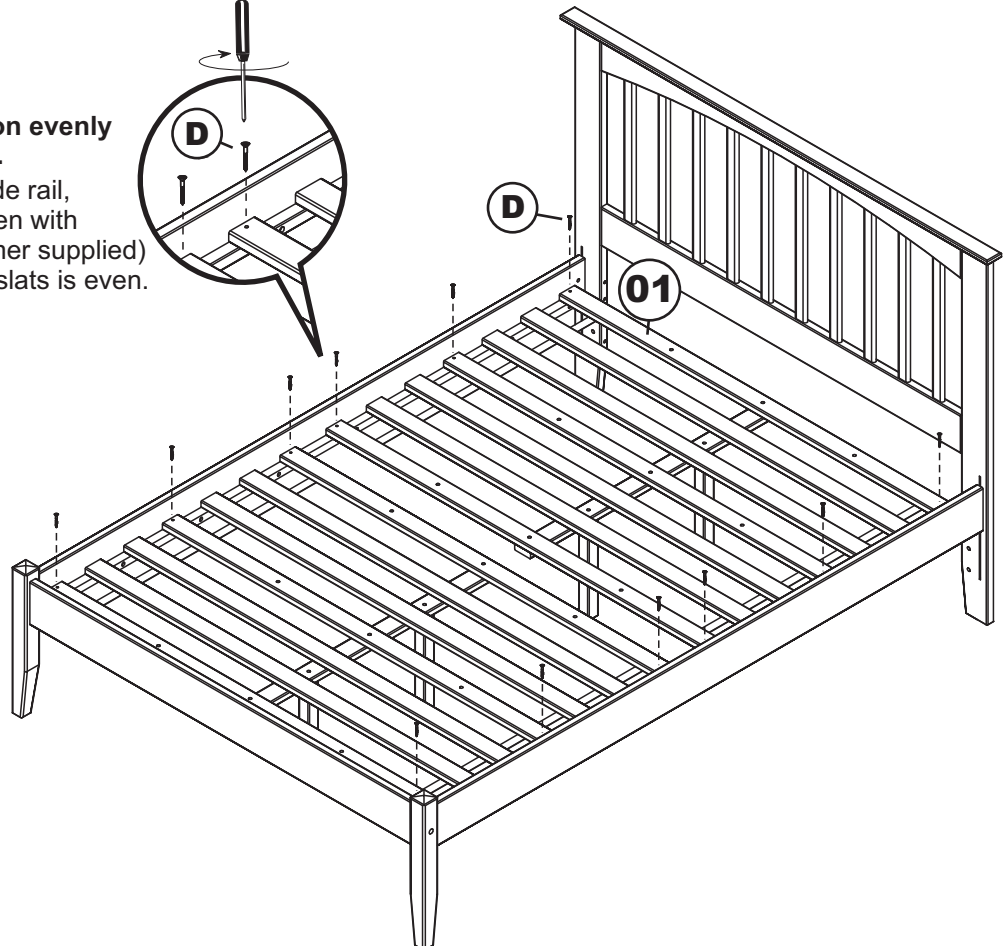
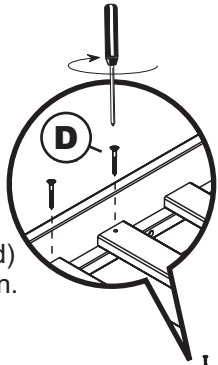
Lay the slat section (01) onto the bed.
Attach support rail(02)to slat section(01).
Using JCB (B) and cap nut (C) tighten
with the Allen wrench (G).
Repeat for section 2.



Step 4

**Be sure to align slat section evenly
with both ends of side rail.**

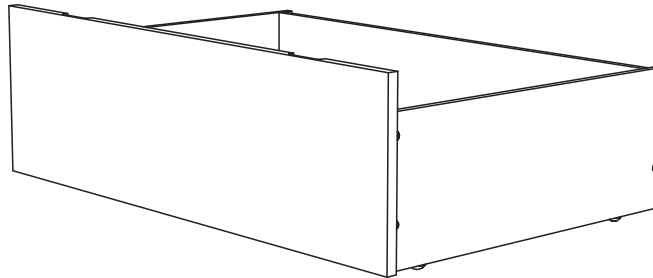
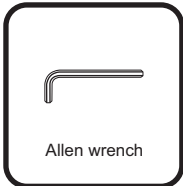
Screw slat section (01) to side rail,
using wood screw (D). Tighten with
Phillips screwdriver. (Customer supplied)
Be sure the space between slats is even.



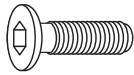
ASSEMBLY INSTRUCTIONS

Before assembling your bed drawer, please read through these instructions carefully, familiarize yourself with the different parts.

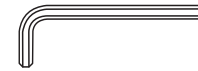
ATTENTION! If you receive a damaged or defective item, please contact afifurnishings at customerservice@afifurnishings.com or 1-800-955-3726



NOTE : WE INCLUDE SPARE HARDWARE IN CASE DAMAGE OCCURS DURING ASSEMBLY.



HARDWARE

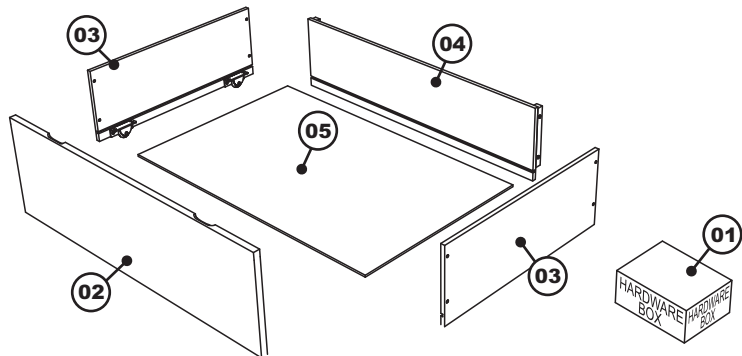


A JCB M6 X 1 1/8" (30mm) - 16 pcs
Spare - 2 pcs

B Allen wrench - 1 pc
Spare - 1 pc

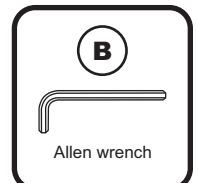
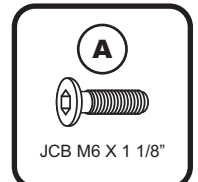
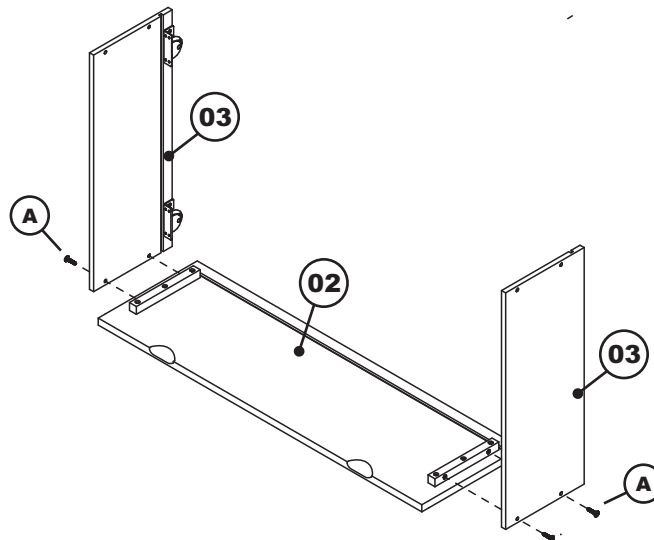
PARTS LIST

- 01** HARDWARE 1 BOX
- 02** DRAWER FACE 2 PCS
- 03** DRAWER SIDE 4 PCS
- 04** DRAWER BACK 2 PCS
- 05** DRAWER BOTTOM 2 PCS



Step 1

Lay the drawer face (02) on smooth, flat surface so the groove is facing upwards. Fit the drawer side (03) to drawer face (02), Use JCB M6 X 1 1/8" (A), align groove inside panel with groove in drawer face. Tighten with Allen wrench (B).

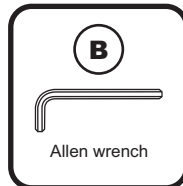
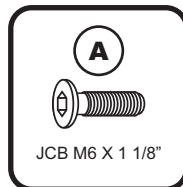
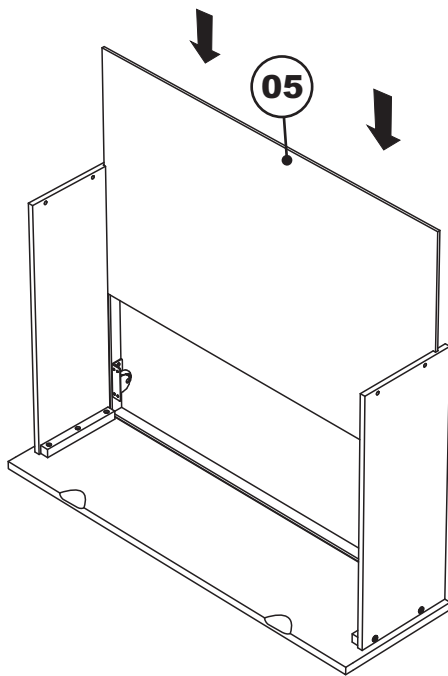


PO :

CODE	ITEM	ITEM
ST-DR-UBN	E-6683X	E-6684X

Step 2

Guide the drawer bottom (05) in carefully so that it won't jump out of its grooves. Be sure it fits fully into its groove at the bottom (in the drawer face) before fitting the drawer back.



Step 3

Attach drawer back (04) to bed drawer assembly as shown. Use JCB M6 X 1 1/8" (A). Tighten with Allen wrench (B).

