

ASSEMBLY INSTRUCTIONS

Before assembling your bed, please read through these instructions carefully and familiarize yourself with the different parts.

ATTENTION! If you receive a damaged or defective item, please contact afifurnishings at customerservice@afifurnishings.com or 1-800-955-3726



PARTS LIST

Instructions apply for bed sizes
FULL

HARDWARE

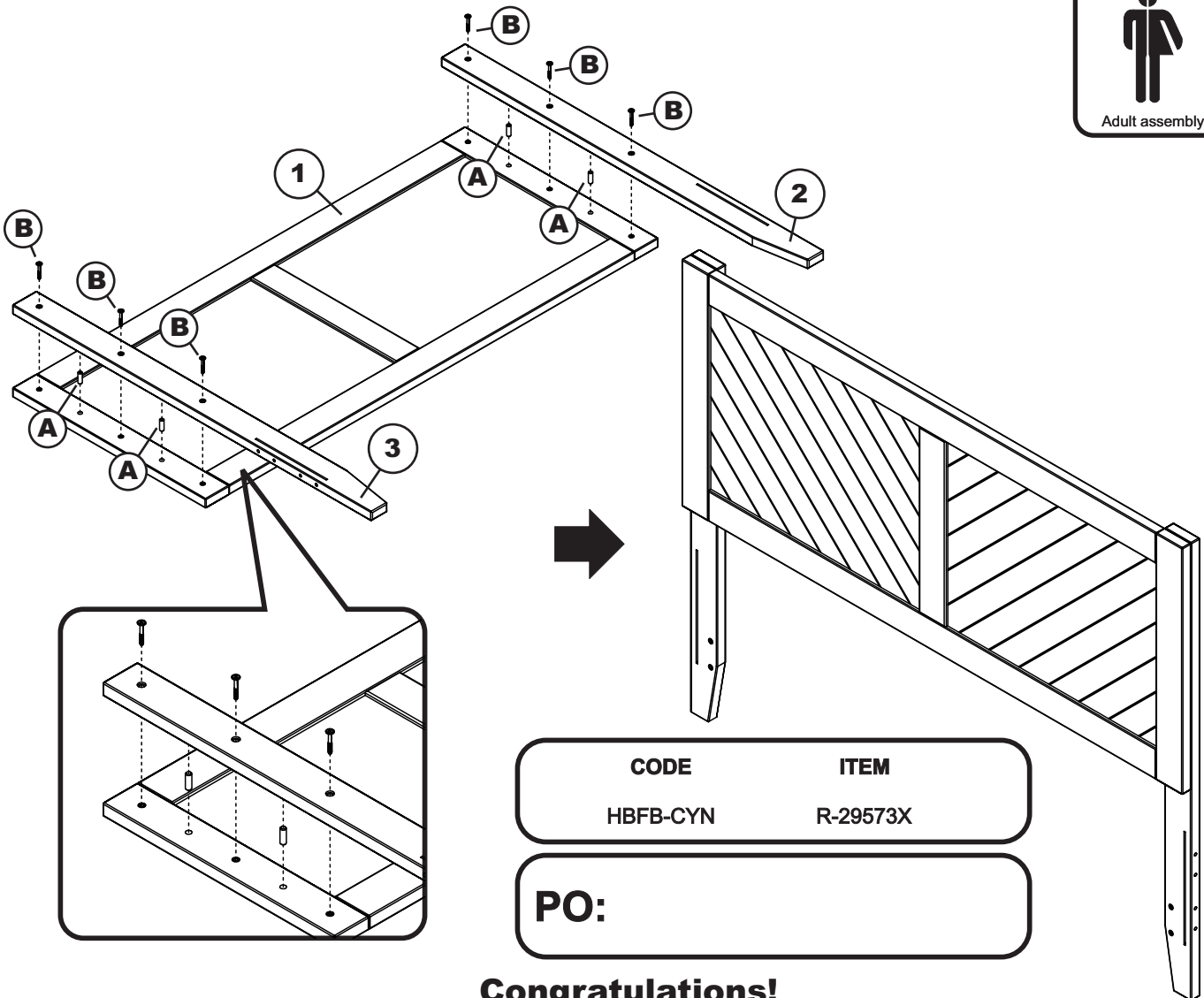
- 1 HEADBOARD PANEL 1 PC
- 2 LEFT LEG 1 PC
- 3 RIGHT LEG 1 PC
- 4 FOOTBOARD 1 PC

- (A)** Wooden dowel - 4 pcs
Spare - 1 pc
- (B)** JCB M6 X 40mm (1 1/2") - 6 pcs
Spare - 1 pc
- (C)** Allen wrench - 1pc
Spare - 1pc

NOTE: WE INCLUDE SPARE HARDWARE IN CASE DAMAGE OCCURS DURING ASSEMBLY.

Step 1

Attach the legs (2) and (3) to headboard panel (1), using wooden dowels (A) and JCB (B). Tighten with the Allen wrench (C).



PO:

Congratulations!

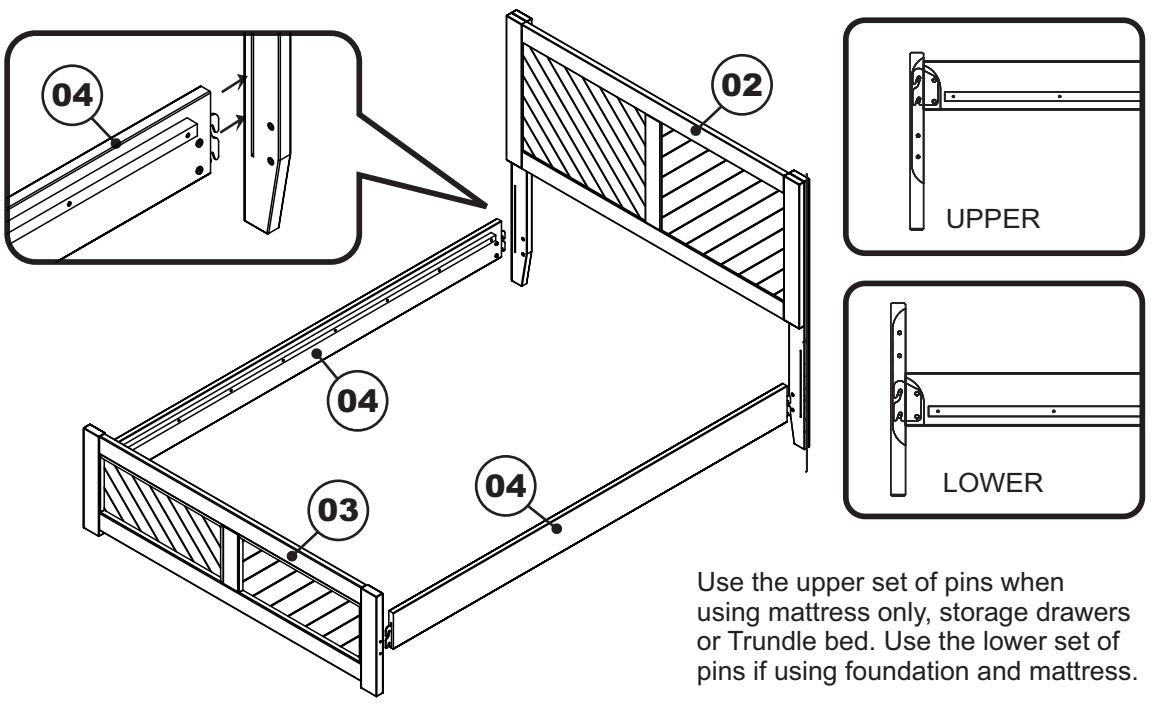
Your headboard is now assembled.

To ensure lasting safety, we recommend that you periodically check that all screws are tight and all parts are secure.

- 01 HARDWARE
 - 02 HEADBOARD
 - 03 FOOTBOARD
 - 04 SIDE RAILS
 - 05 SLAT KIT
- BOX 1
- BOX 2

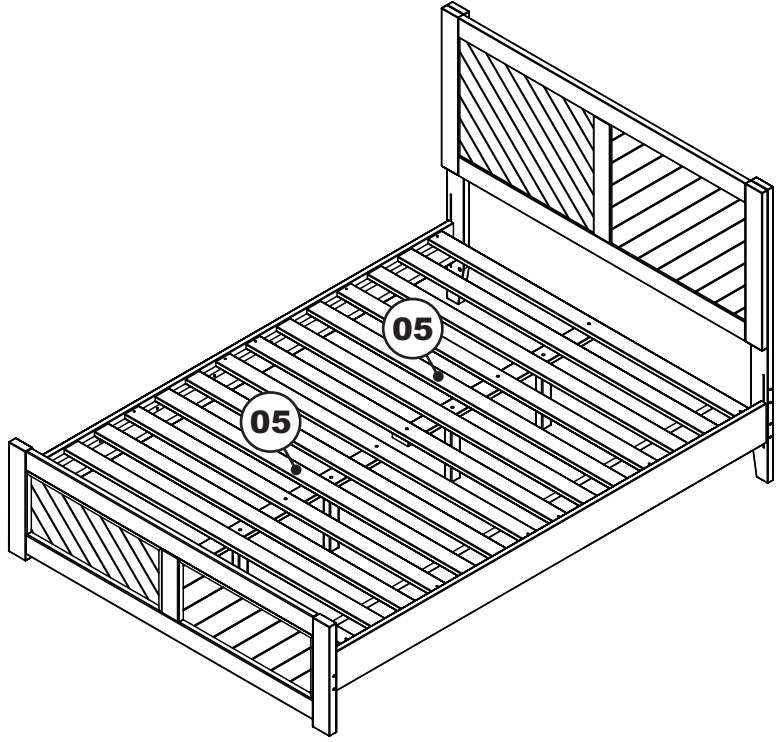


Step 1 Attach the side rails (04) to the headboard (02) and footboard (03) using the bed hook as shown below.



Use the upper set of pins when using mattress only, storage drawers or Trundle bed. Use the lower set of pins if using foundation and mattress.

Step 2 Attach slat kit (05) onto the bed. For assembly of slat kit, follow the assembly instructions included with bed frame.



ASSEMBLY INSTRUCTIONS (FULL)

Before assembling your Support boards, please read through these instructions carefully and familiarize yourself with the different parts.

Please note that you will require a Phillips screwdriver.

ATTENTION! If you receive a damaged or defective item, please contact afifurnishings at customerservice@afifurnishings.com or 1-800-955-3726

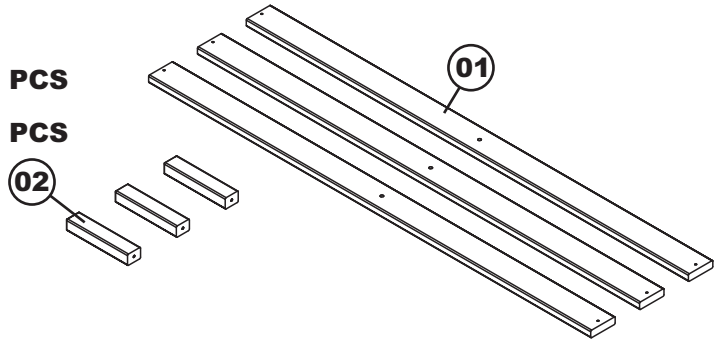


PARTS LIST

- 01 SUPPORT BOARDS 3 PCS**
- 02 CENTER LEG 3 PCS**

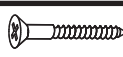
CODE	ITEM
SL-FN	E-64300


PO :



HARDWARE

- A**  1 1/2" Allen screw - 3 pcs
Spare - 1 pc

- B**  1 1/4" Wood screw - 6 pcs
Spare - 1 pc

- C**  Allen wrench - 1 pc
Spare - 1 pc

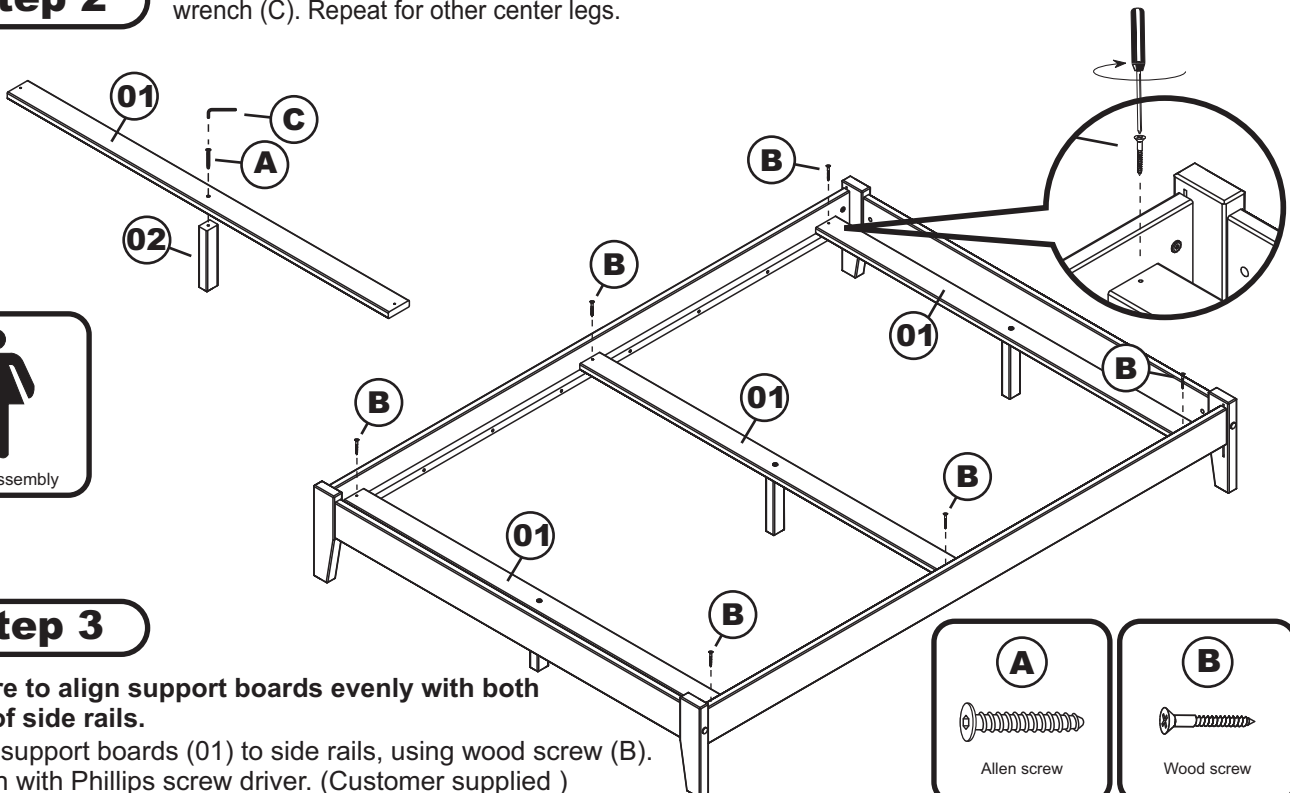
NOTE: WE INCLUDE SPARE HARDWARE IN CASE DAMAGE OCCURS DURING ASSEMBLY.

Step 1

Assemble bed frame according to assembly instructions.

Step 2

Assemble center leg (02) and support boards (01). Using allen screw (A). Tighten with the Allen wrench (C). Repeat for other center legs.

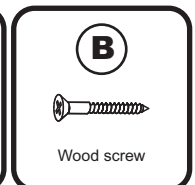
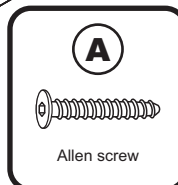


Step 3

Be sure to align support boards evenly with both ends of side rails.

Screw support boards (01) to side rails, using wood screw (B). Tighten with Phillips screw driver. (Customer supplied)

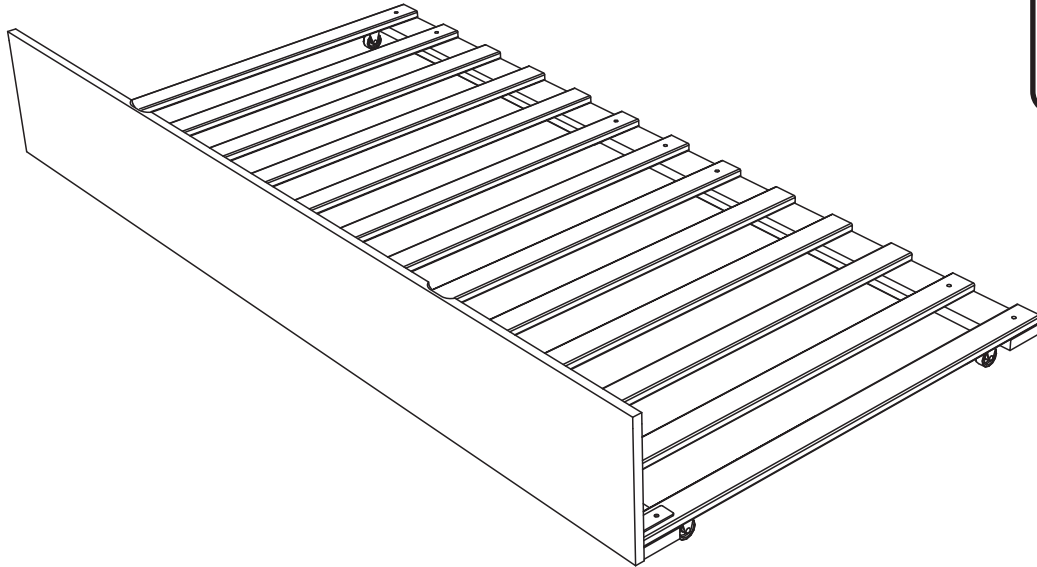
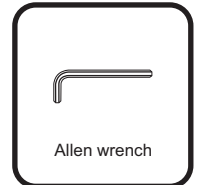
Be sure the space between support boards is even.



ASSEMBLY INSTRUCTIONS

Before assembling your Trundle bed, please read through these instructions carefully. Familiarize yourself with the different parts.

ATTENTION! If you receive a damaged or defective item, please contact afifurnishings at customerservice@afifurnishings.com or 1-800-955-3726

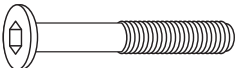


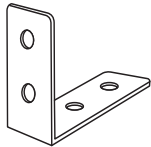
PO :

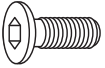
CODE	ITEM
ST-TD-UBN	E-6710X


HARDWARE

NOTE: WE INCLUDE SPARE HARDWARE IN CASE DAMAGE OCCURS DURING ASSEMBLY.

A  JCB M6 X 1 5/8" (40mm) - 17 pcs
Spare - 2 pcs

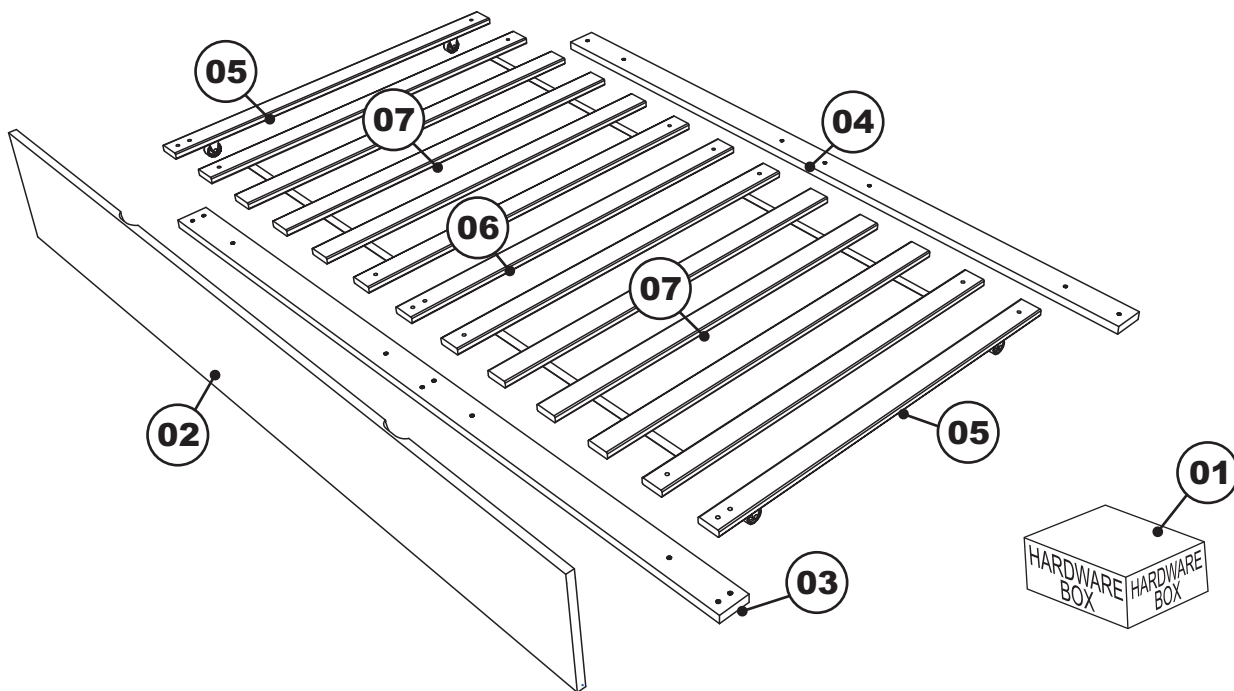
C  L Bracket - 3 pcs

B  JCB M6 X 5/8" (15mm) - 6 pcs
Spare - 2 pcs
Fix L bracket to front panel

D  Allen wrench - 1 pc
Spare - 1 pc

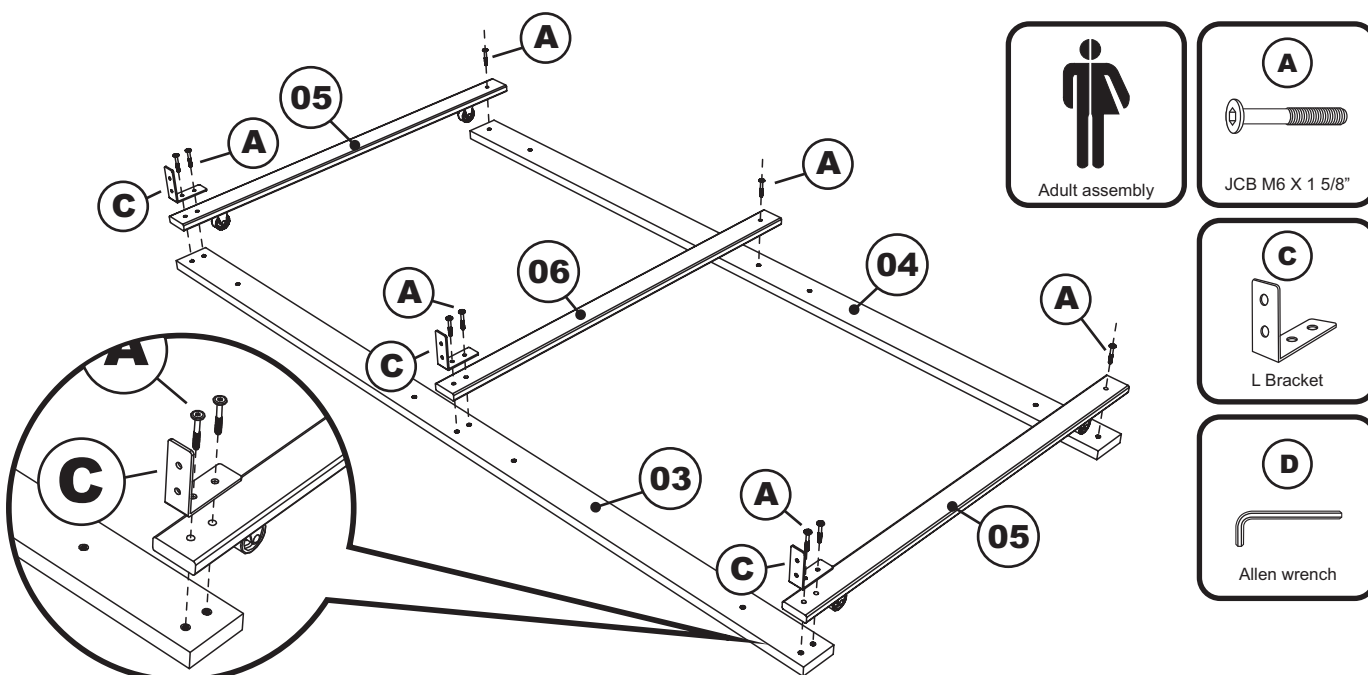
PARTS LIST

01	HARDWARE	1 BOX	05	SIDE CROSS RAIL	2 PCS
02	FRONT PANEL	1 PC	06	CENTER CROSS RAIL	1 PC
03	FRONT RAIL	1 PC	07	SLAT KIT	2 SET
04	BACK RAIL	1 PC			



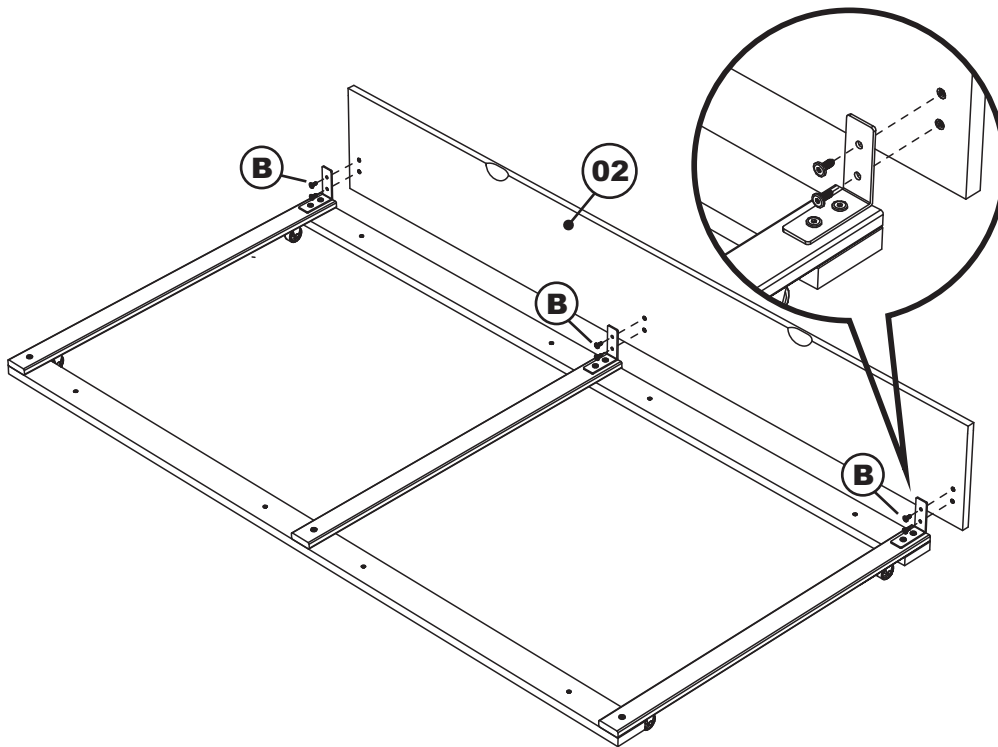
Step 1

Attach the side cross rails (05) and center cross rail (06) to the front and back rail (03)(04), using L bracket (C), JCB M6 X 1 5/8" (A). Tighten with the Allen wrench (D).



Step 2

Attach the front panel (02) to the front rail as shown, using JCB M6 X 5/8" (B). Tighten with the Allen wrench (D).



Adult assembly

B



JCB M6 X 5/8"

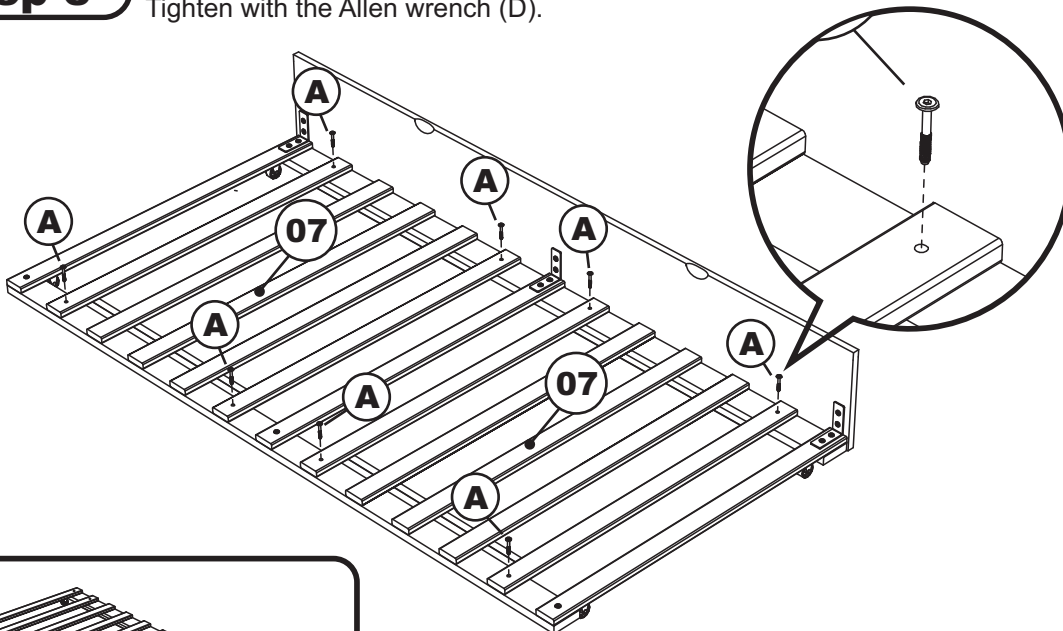
D



Allen wrench

Step 3

Lay the slat kit (07) onto the rail assembly as shown, using JCB M6 X 1 5/8" (A). Tighten with the Allen wrench (D).



Adult assembly

A

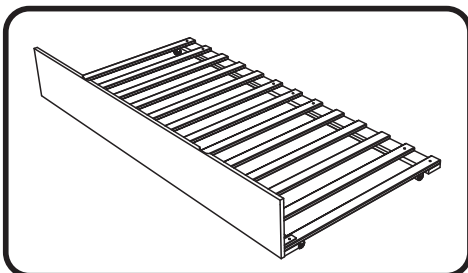


JCB M6 X 1 5/8"

D



Allen wrench



Congratulations!

Your Trundle bed is now ready for use.

We recommend that you periodically check that all screws are tight and all parts are secure to ensure lasting safety.