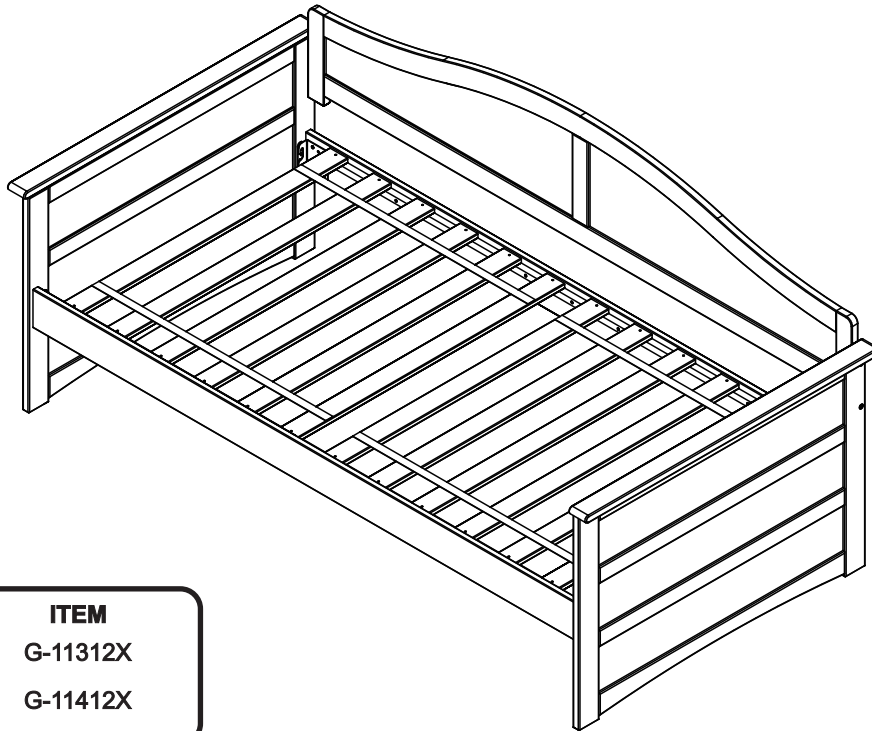
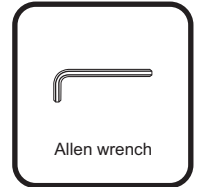


ASSEMBLY INSTRUCTIONS

Before assembling your Daybed, please read through these instructions carefully. Familiarize yourself with the different parts.

ATTENTION! If you receive a damaged or defective item, please contact afifurnishings at customerservice@afifurnishings.com or 1-800-955-3726



CODE	ITEM
DB-AM-ACA	G-11312X
DB-FP-ACA	G-11412X

PO :

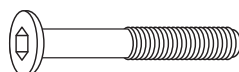
HARDWARE

NOTE: WE INCLUDE SPARE HARDWARE IN CASE DAMAGE OCCURS DURING ASSEMBLY.


A  Wood dowel - 4 pcs
Spare - 1 pc

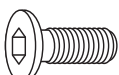
D  Wood Screw - 24 pcs
Spare - 1 pc

F  Allen wrench M6 - 1 pc

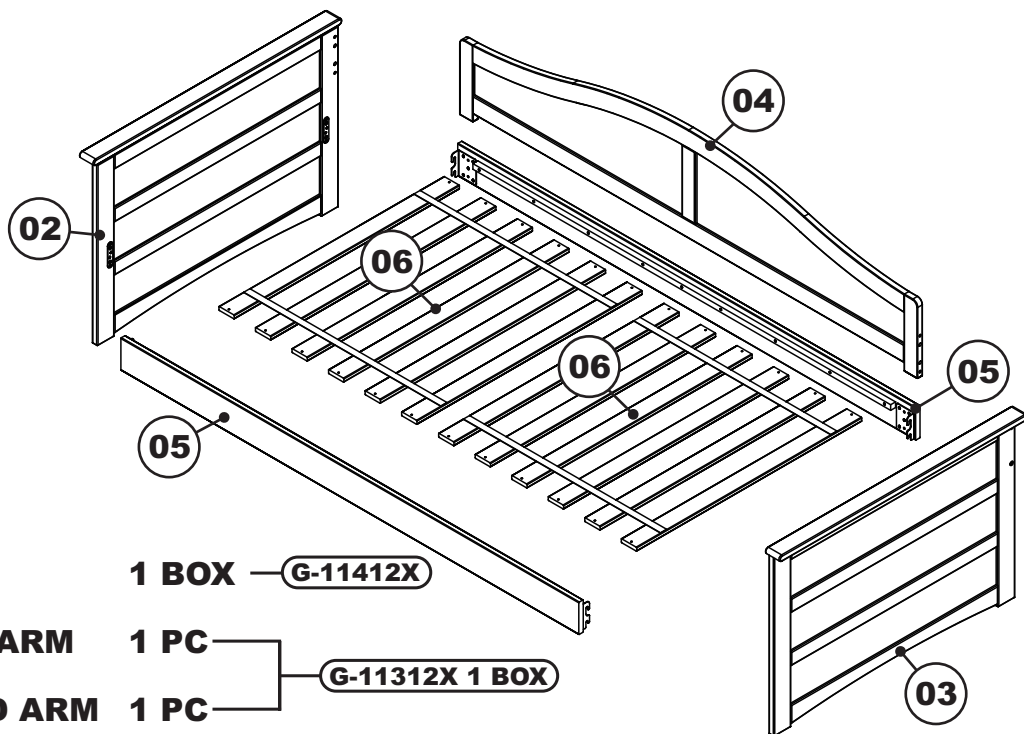
B  JCB M6 X 2 1/2" (65mm) - 4 pcs
Spare - 1 pc

E  Barrel Nut - 4 pcs
Spare - 1 pc

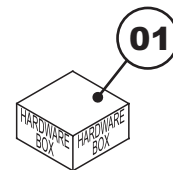
G  Allen wrench M4 - 1 pc

C  JCB M8 X 5/8" (15mm) - 8 pcs

PARTS LIST

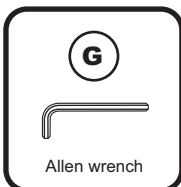
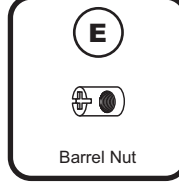
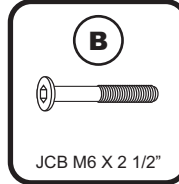
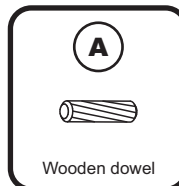
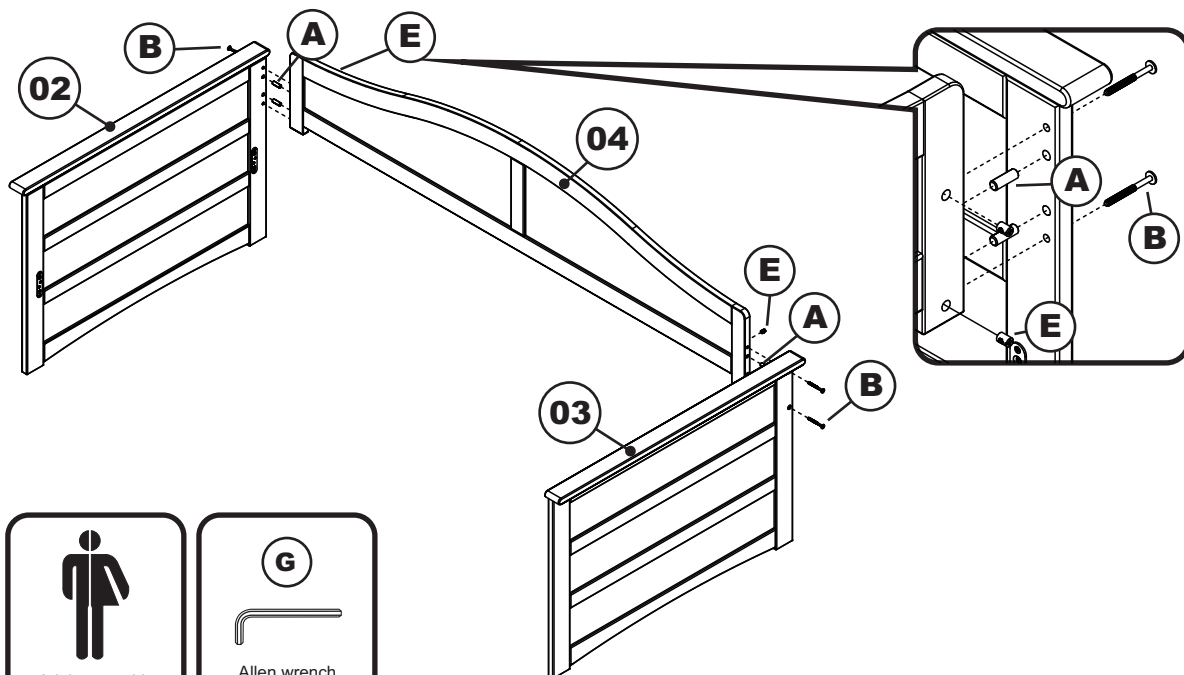


- | | | | |
|-----------|--------------------------|--------------|-----------------------|
| 01 | HARDWARE | 1 BOX | G-11412X |
| 02 | LEFT DAYBED ARM | 1 PC | G-11312X 1 BOX |
| 03 | RIGHT DAYBED ARM | 1 PC | |
| 04 | BACK PANEL | 1 PC | G-11412X 1 BOX |
| 05 | FRONT / BACK RAIL | 2 PCS | |
| 06 | SLAT KIT | 2 SET | |



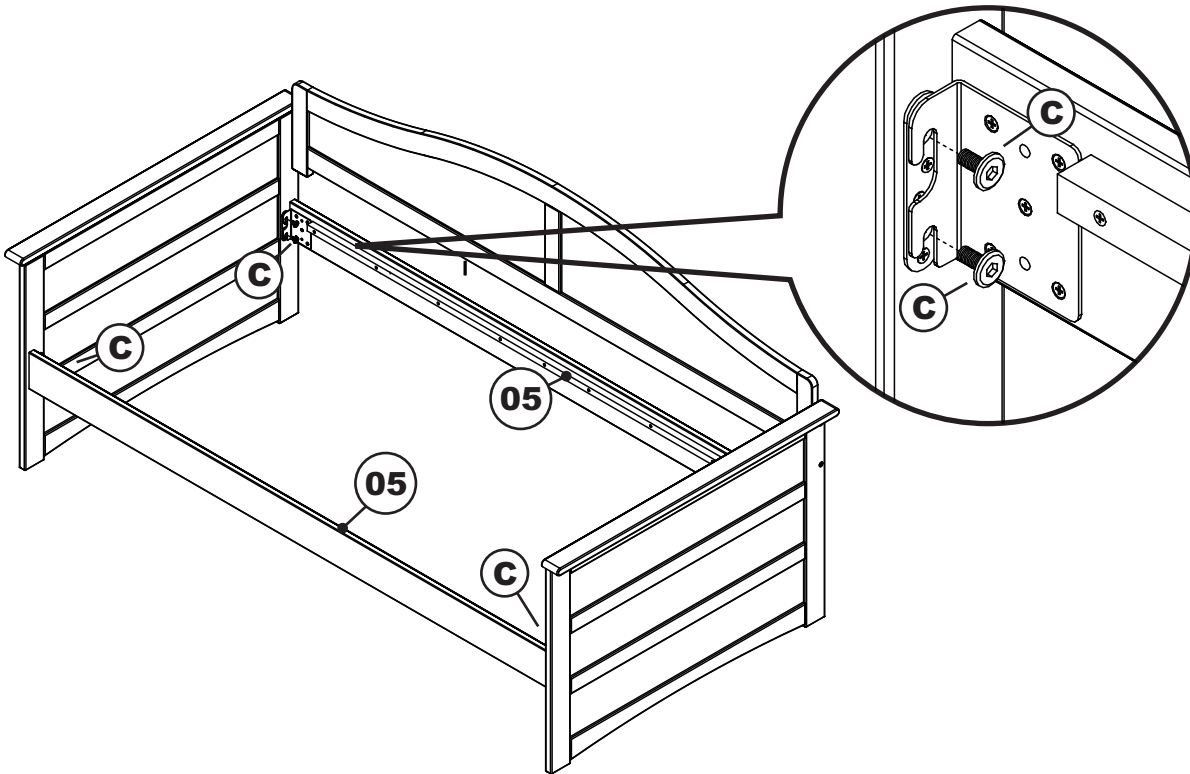
Step 1

Attach the back panel (04) to the left and right daybed arm (02)(03), using wood dowels (A), JCB M6 X 2 1/2"(B) and barrel nut (E). Tighten with the Allen wrench (G).



Step 2

Attach the front and back rail (05) to the Daybed arms as shown, using JCB M8 X 5/8" (C). Tighten with the Allen wrench (F).



Adult assembly

C



JCB M8 X 5/8"

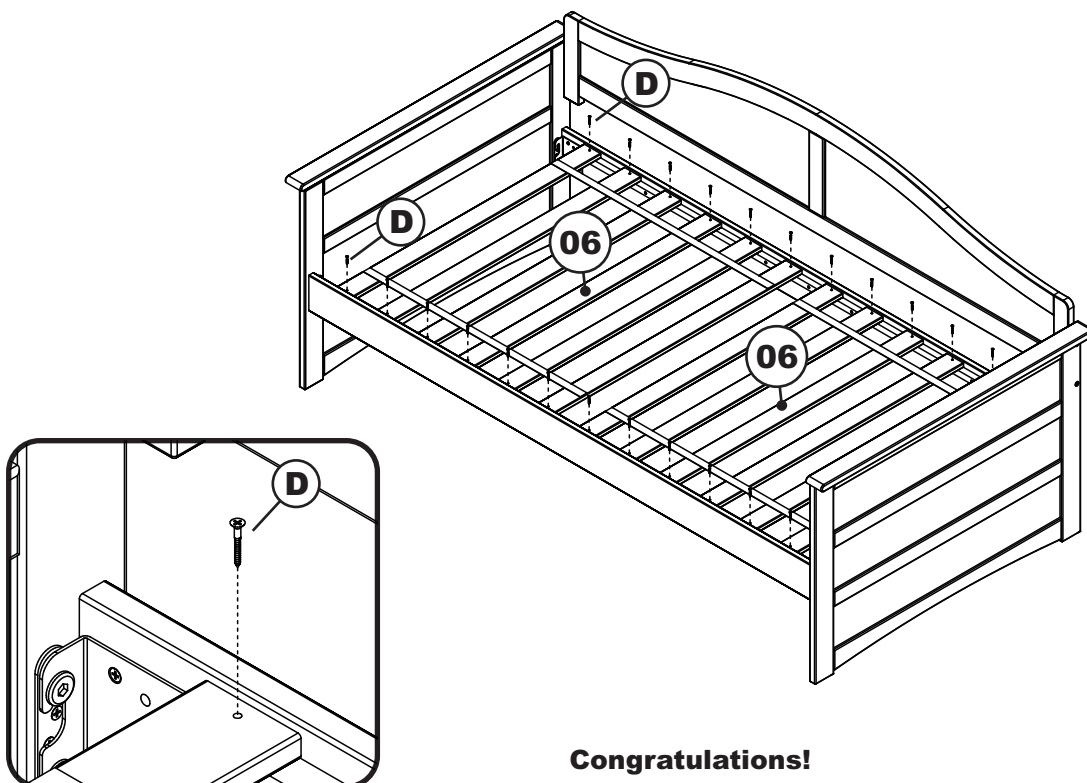
F



Allen wrench

Step 3

Lay the slat kit (06) onto the rail assembly as shown, using wood screw (D). Tighten with the Phillips head screwdriver (Customer supplied).



Adult assembly

D



Wood screw

Phillips screwdriver



Customer supplied

Congratulations!

Your Daybed is now ready for use.

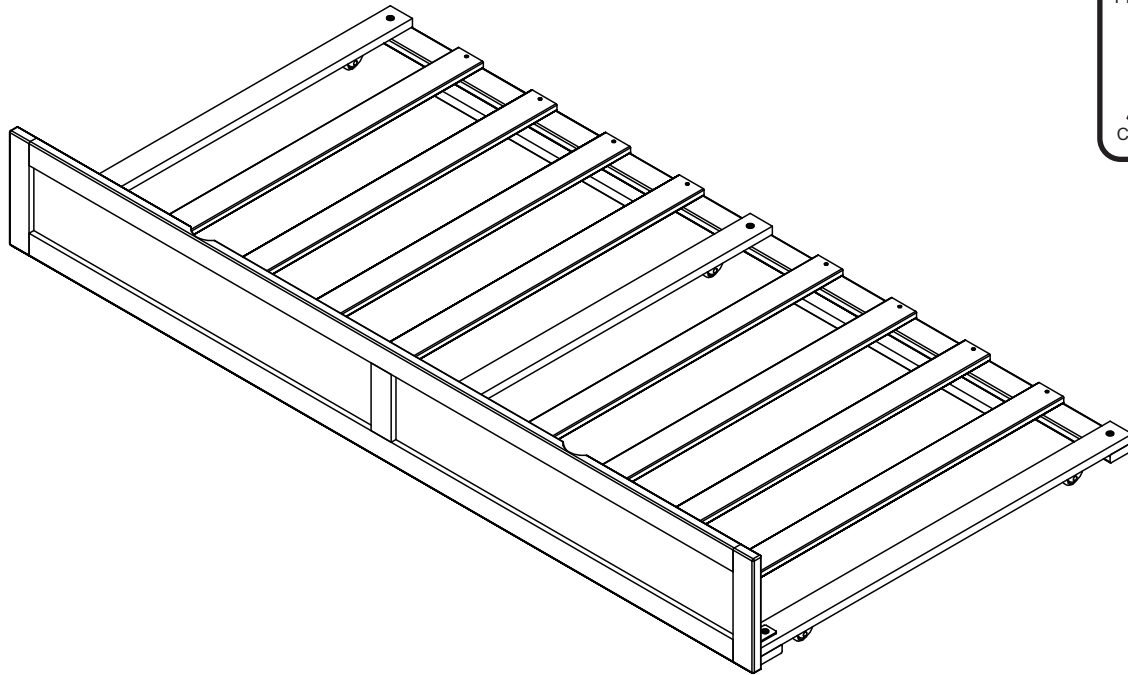
We recommend that you periodically check that all screws are tight and all parts are secure to ensure lasting safety.

TWIN ASSEMBLY INSTRUCTIONS

Before assembling your Trundle bed, please read through these instructions carefully. Familiarize yourself with the different parts.



ATTENTION! If you receive a damaged or defective item, please contact afifurnishings at customerservice@afifurnishings.com or 1-800-955-3726

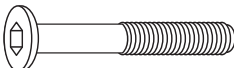


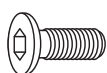
CODE	ITEM
ST-TD-ISL	G-35802X

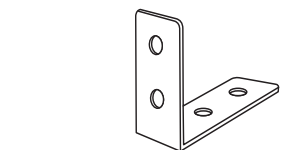
PO :

HARDWARE

NOTE: WE INCLUDE SPARE HARDWARE IN CASE DAMAGE OCCURS DURING ASSEMBLY.

A  JCB M6 X 1 5/8" (40mm) - 9 pcs
Spare - 1 pc

B  JCB M6 X 5/8" (15mm) - 6 pcs
Spare - 1 pc
Fix L bracket to front panel



C L Bracket - 3 pcs

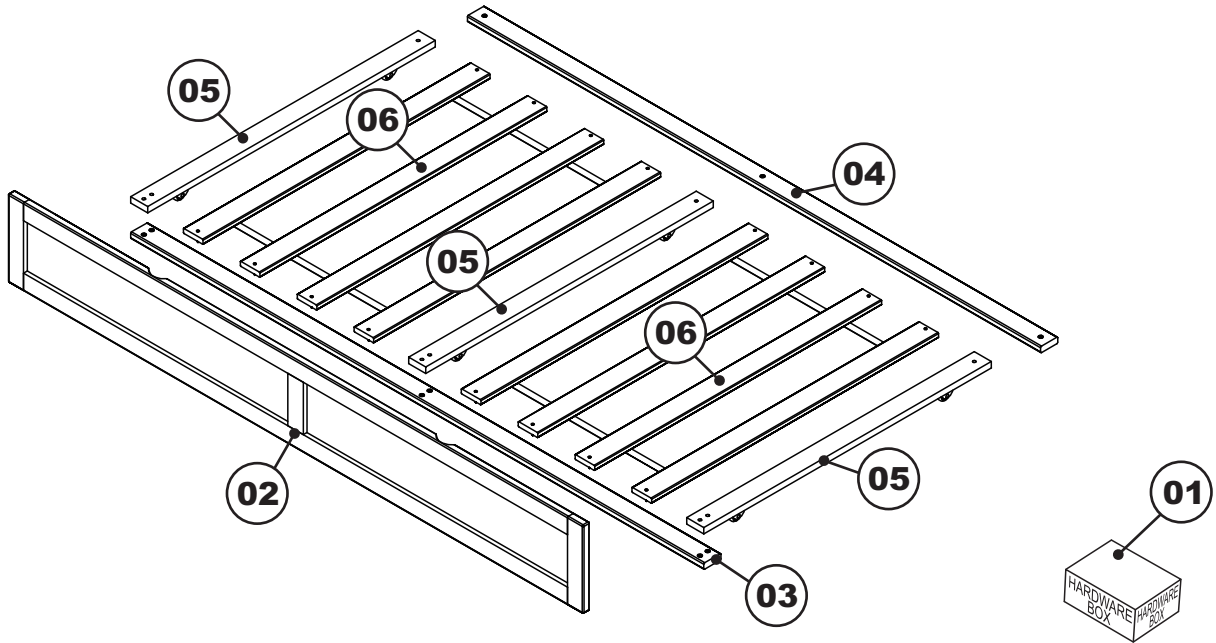
D  Wood screw - 16 pcs
Spare - 2 pcs

E  Allen wrench - 1 pc
Spare - 1 pc

TWIN

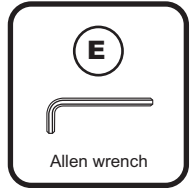
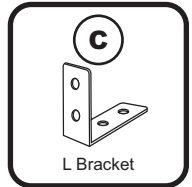
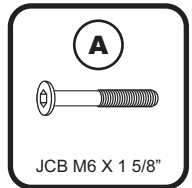
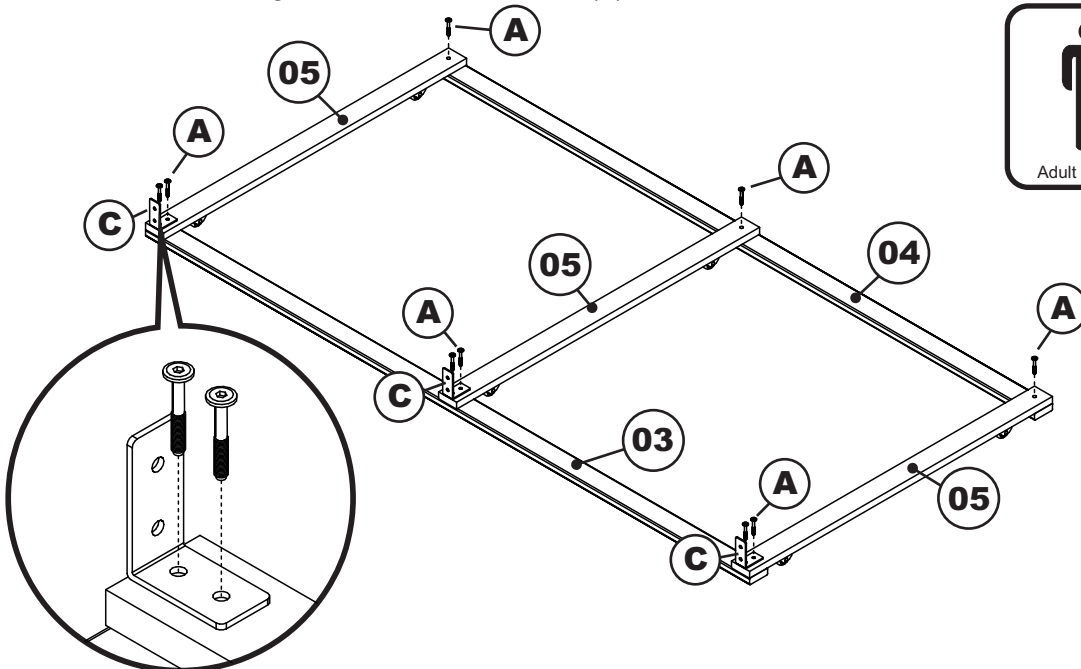
PARTS LIST

- | | | | | | |
|----|-------------|-------|----|-----------------------|--------|
| 01 | HARDWARE | 1 BOX | 05 | LEFT, RIGHT, MID RAIL | 3 PCS |
| 02 | FRONT PANEL | 1 PC | 06 | SLAT KIT WITH WEBBING | 2 SETS |
| 03 | FRONT RAIL | 1 PC | | | |
| 04 | BACK RAIL | 1 PC | | | |



Step 1

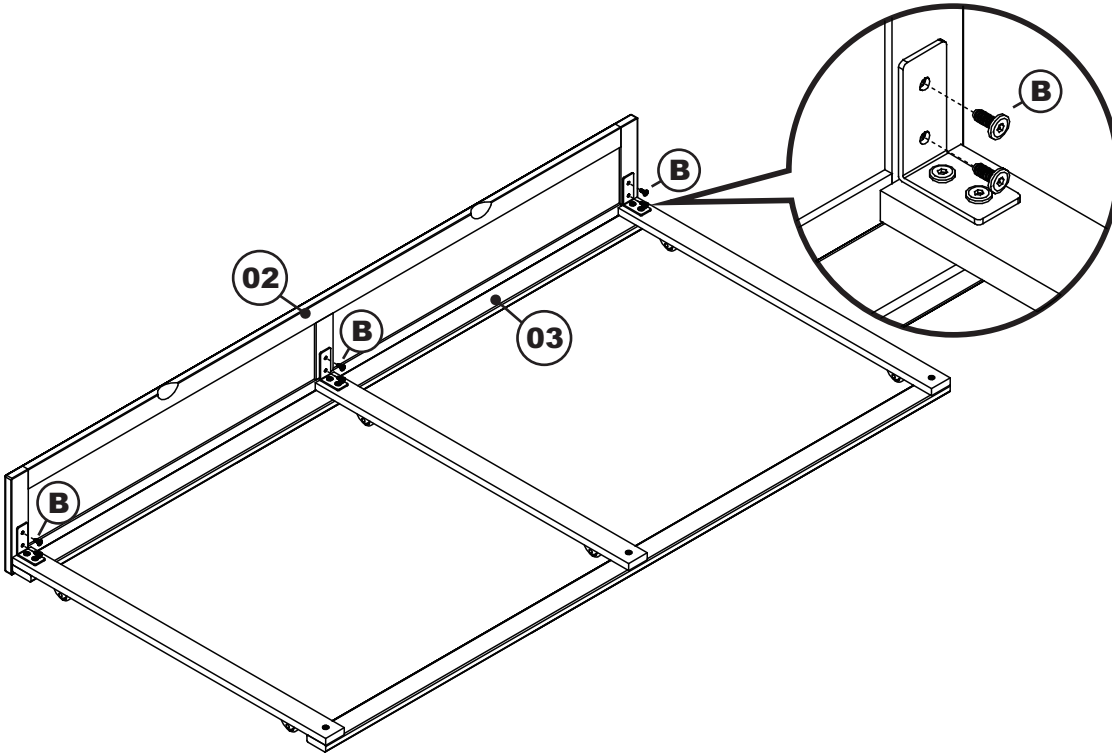
Attach the left, right and mid rails (05) to the front rail (03) using L bracket (C) and JCB M6 X 1 5/8" (A). Attach left, right and mid rails (05) to the back rail (4) using JCB M6 X 1 5/8" (A). Tighten with the Allen wrench (E).



TWIN

Step 2

Attach the front panel (02) to the front rail (03) as shown, using JCB M6 X 5/8" (B). Tighten with the Allen wrench (E).



Adult assembly

B



JCB M6 X 5/8"

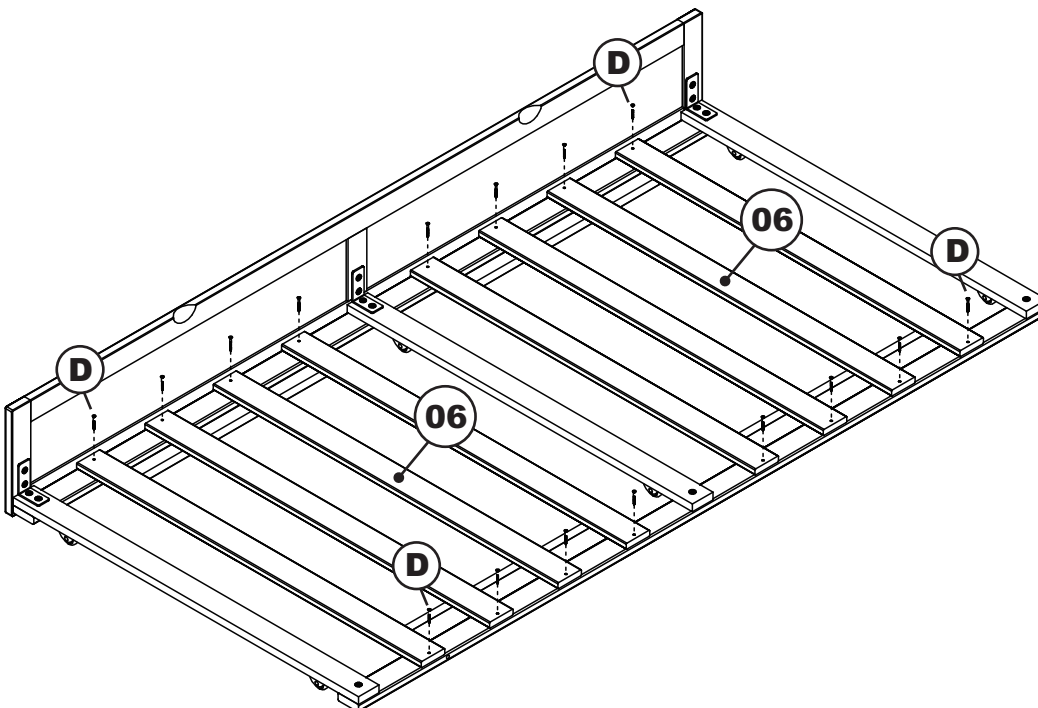
E



Allen wrench

Step 3

Lay the slat kits (06) webbing side down onto the rail assembly as shown. Attach using wood screw (D) and tighten with the Phillips head screw driver. (customer supplied)



Adult assembly

D



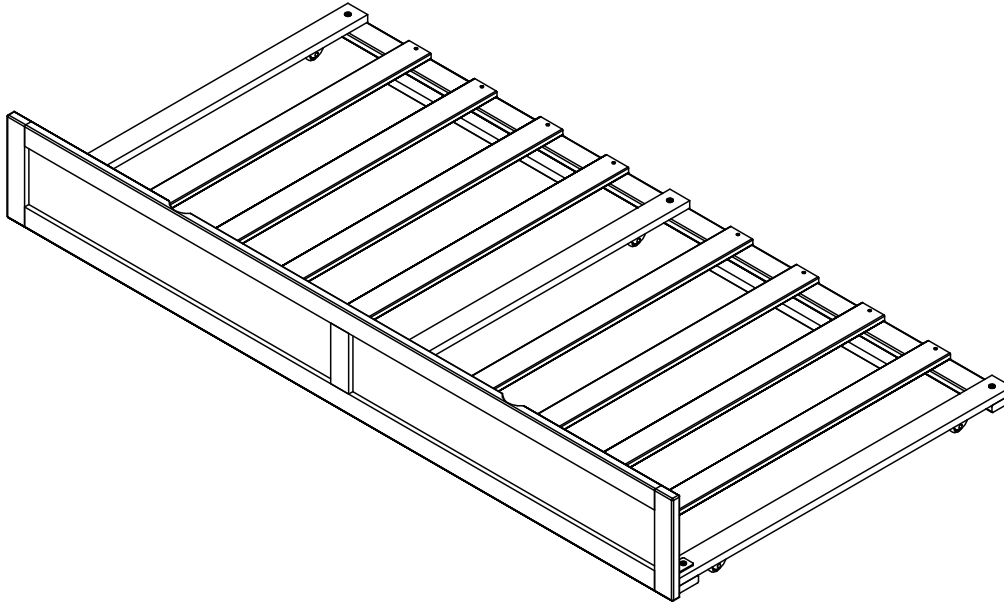
Wood screw

Phillips screwdriver



Customer supplied

TWIN



Congratulations!

Your Trundle bed is now ready for use.
We recommend that you periodically check that all screws are tight
and all parts are secure to ensure lasting safety.