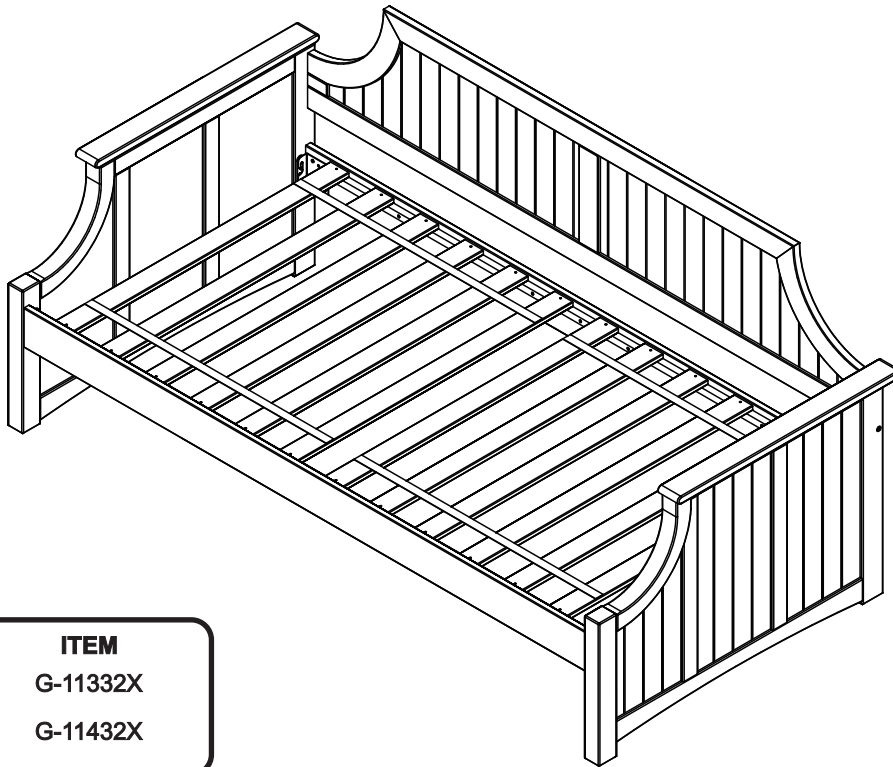
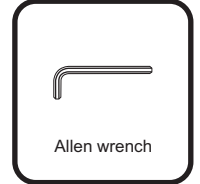


## ASSEMBLY INSTRUCTIONS

Before assembling your Daybed, please read through these instructions carefully. Familiarize yourself with the different parts.

**ATTENTION!** If you receive a damaged or defective item, please contact afifurnishings at [customerservice@afifurnishings.com](mailto:customerservice@afifurnishings.com) or 1-800-955-3726



CODE	ITEM
DB-AM-CBG	G-11332X
DB-FP-CBG	G-11432X

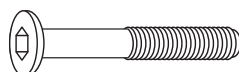
**PO :**


## HARDWARE

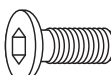
NOTE: WE INCLUDE SPARE HARDWARE IN CASE DAMAGE OCCURS DURING ASSEMBLY.

**A**  Wood dowel - 4 pcs  
Spare - 1 pc


**D**  Wood Screw - 24 pcs  
Spare - 1 pc

**B**  JCB M6 X 2 1/2" ( 65mm ) - 4 pcs  
Spare - 1 pc

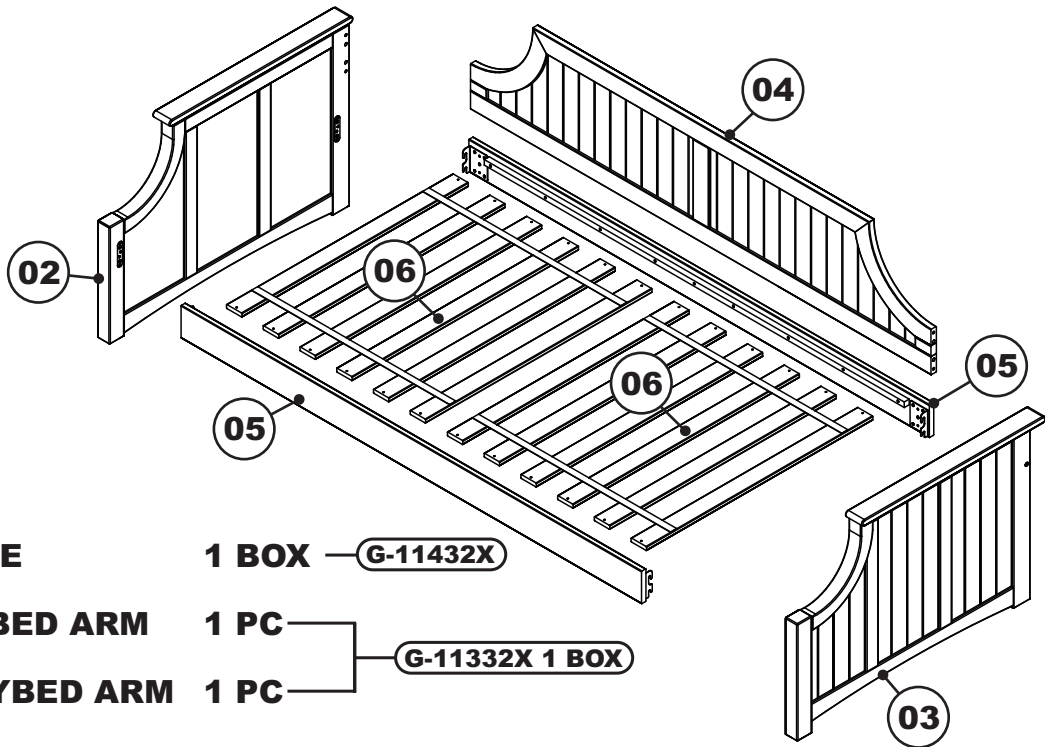
**F**  Allen wrench M6 - 1 pc

**C**  JCB M8 X 5/8" ( 15mm ) - 8 pcs

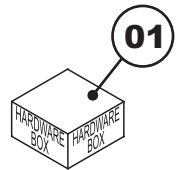
**E**  Barrel Nut - 4 pcs  
Spare - 1 pc

**G**  Allen wrench M4 - 1 pc

# PARTS LIST

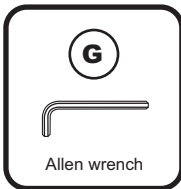
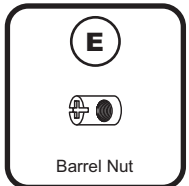
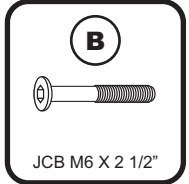
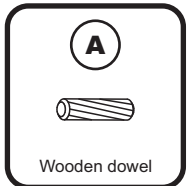
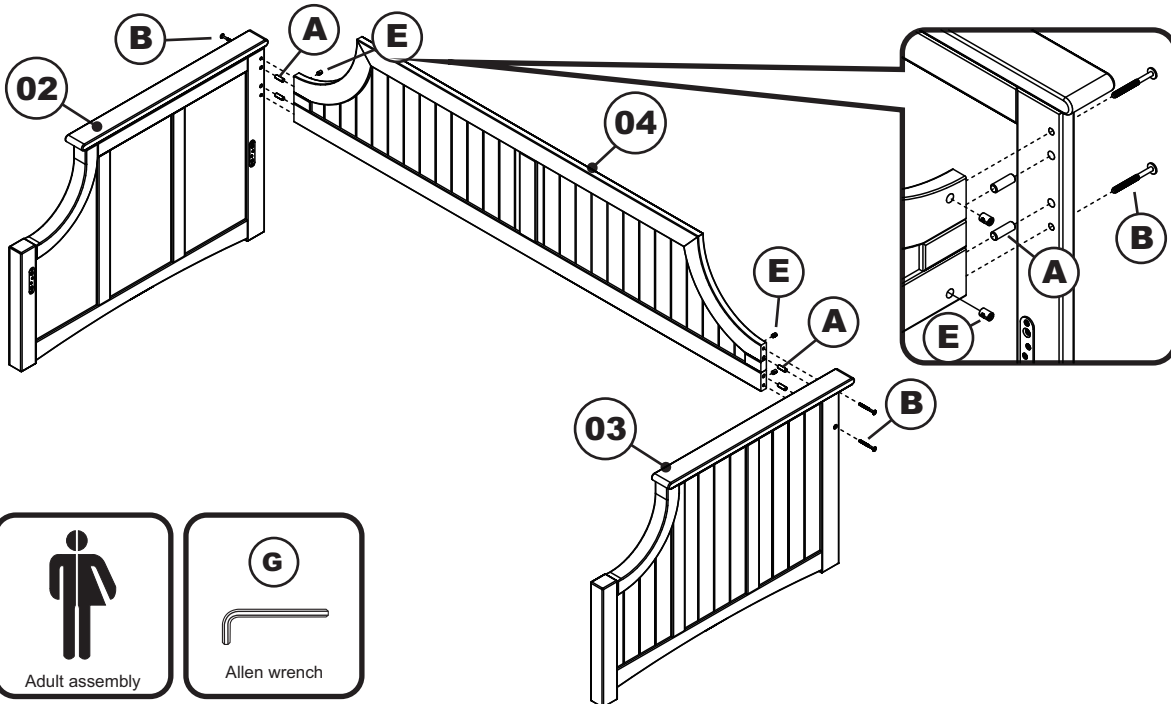


- |           |                          |              |                       |
|-----------|--------------------------|--------------|-----------------------|
| <b>01</b> | <b>HARDWARE</b>          | <b>1 BOX</b> | <b>G-11432X</b>       |
| <b>02</b> | <b>LEFT DAYBED ARM</b>   | <b>1 PC</b>  | <b>G-11332X 1 BOX</b> |
| <b>03</b> | <b>RIGHT DAYBED ARM</b>  | <b>1 PC</b>  |                       |
| <b>04</b> | <b>BACK PANEL</b>        | <b>1 PC</b>  | <b>G-11432X 1 BOX</b> |
| <b>05</b> | <b>FRONT / BACK RAIL</b> | <b>2 PCS</b> |                       |
| <b>06</b> | <b>SLAT KIT</b>          | <b>2 SET</b> |                       |



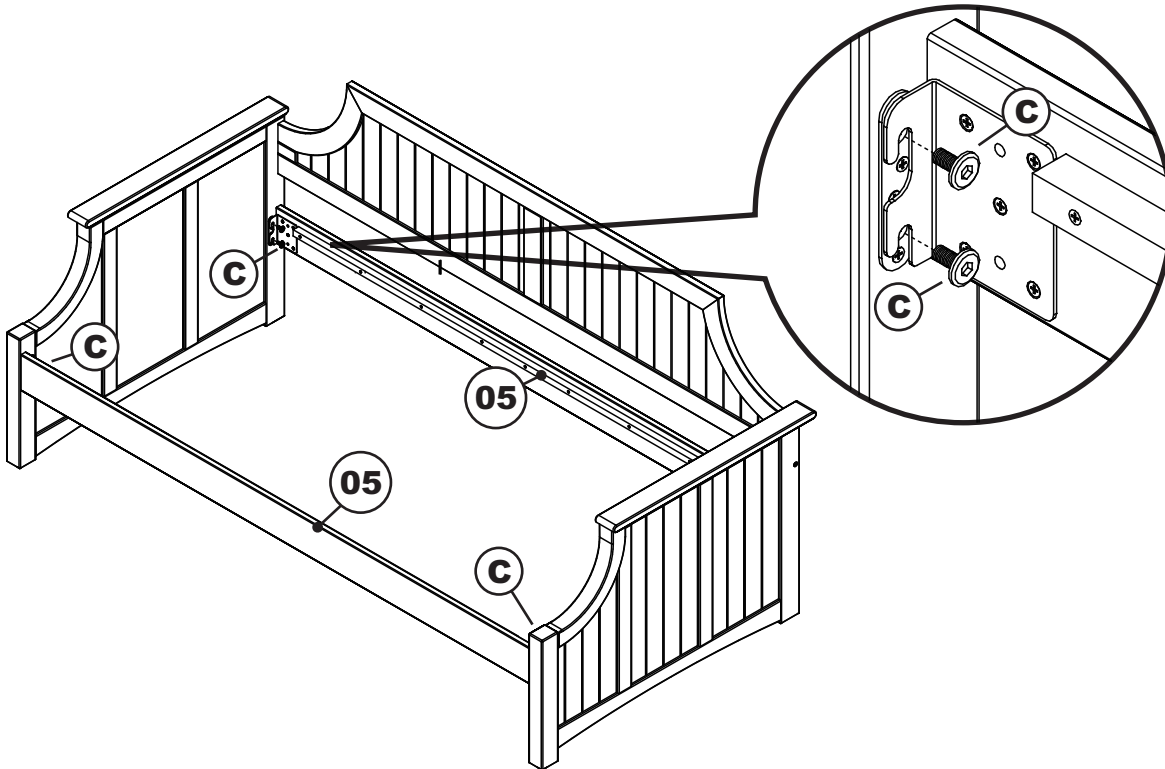
## Step 1

Attach the back panel (04) to the left and right daybed arm (02)(03), using wood dowels (A), JCB M6 X 2 1/2"(B) and barrel nut (E). Tighten with the Allen wrench (G).



## Step 2

Attach the front and back rail (05) to the Daybed arms as shown, using JCB M8 X 5/8" (C). Tighten with the Allen wrench (F).



Adult assembly

C



JCB M8 X 5/8"

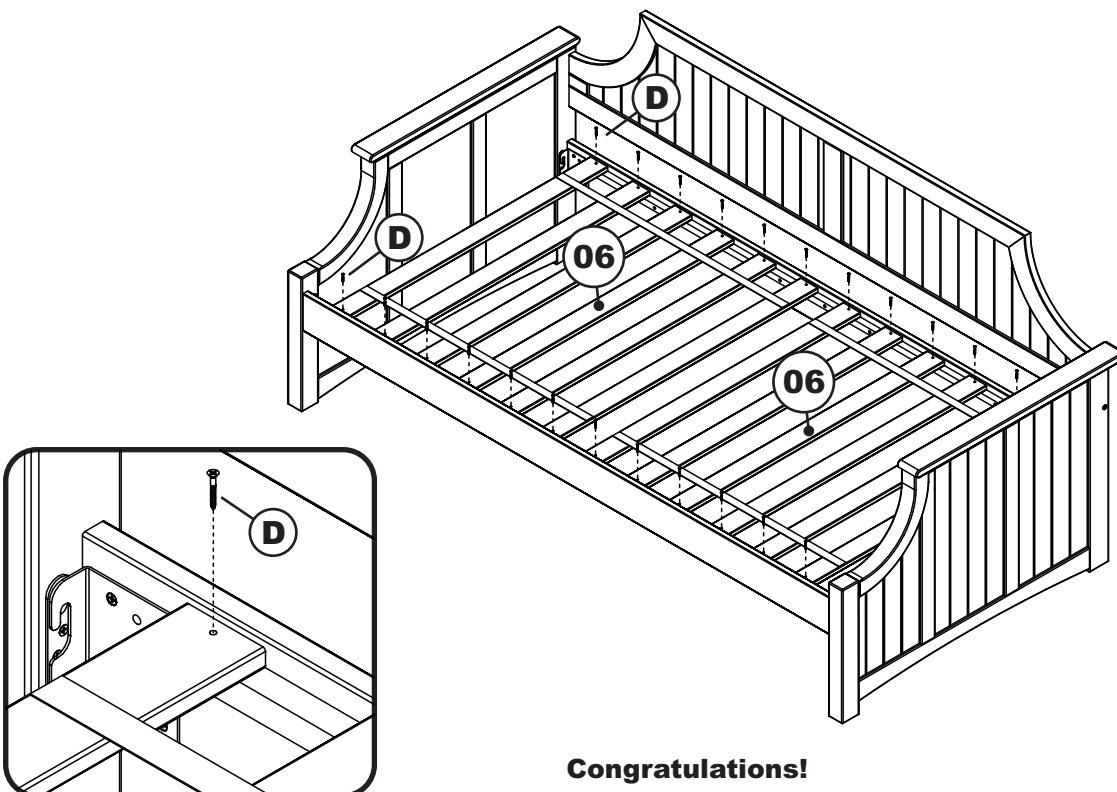
F



Allen wrench

## Step 3

Lay the slat kit (06) onto the rail assembly as shown, using wood screw (D). Tighten with the Phillips head screw driver (Customer supplied).



Adult assembly

D



Wood screw

Phillips screwdriver



Customer supplied

### Congratulations!

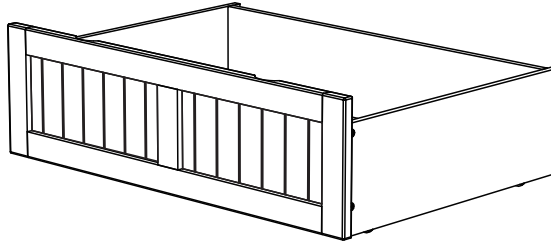
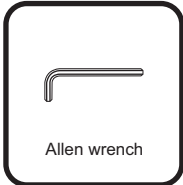
Your Daybed is now ready for use.

We recommend that you periodically check that all screws are tight and all parts are secure to ensure lasting safety.

## TWIN/FULL ASSEMBLY INSTRUCTIONS

Before assembling your bed drawer, please read through these instructions carefully, familiarize yourself with the different parts.

**ATTENTION!** If you receive a damaged or defective item, please contact afifurnishings at customerservice@afifurnishings.com or 1-800-955-3726



**NOTE: WE INCLUDE SPARE HARDWARE IN CASE DAMAGE OCCURS DURING ASSEMBLY.**

**HARDWARE**



**(A)** JCB M6 X 1" ( 25mm ) - 16 pcs  
Spare - 1 pc



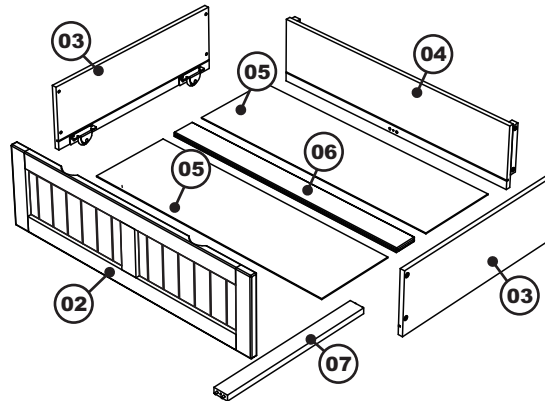
**(B)** Wood Screw X 1 1/4" ( 32mm ) - 4 pcs  
Spare - 1 pc



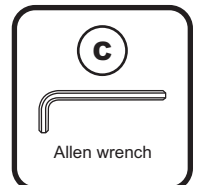
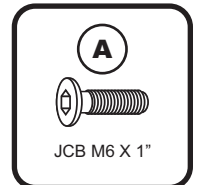
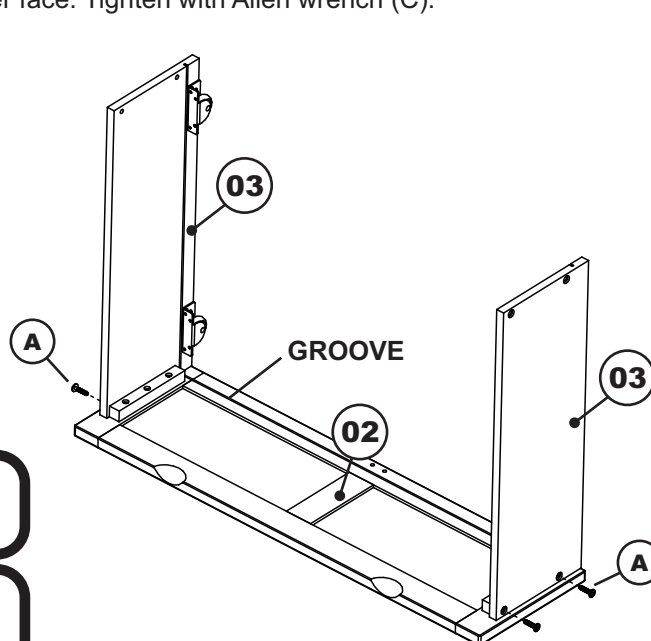
**(C)** Allen wrench - 1 pc  
Spare - 1 pc

### PARTS LIST

- (01) HARDWARE 1 BOX**
- (02) DRAWER FACE 1 PC**
- (03) DRAWER SIDE 2 PCS**
- (04) DRAWER BACK 1 PC**
- (05) DRAWER BOTTOM 2 PCS**
- (06) DRAWER MIDDLE 1 PC**
- (07) DRAWER CENTER SUPPORT 1 PC**



**Step 1** Lay the drawer face (02) on smooth, flat surface so the drawer bottom (05) groove is facing upwards. Attach the drawer sides (03) to drawer face (02) using JCB M6 X 1" (A). Align groove inside drawer side with groove in drawer face. Tighten with Allen wrench (C).



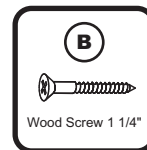
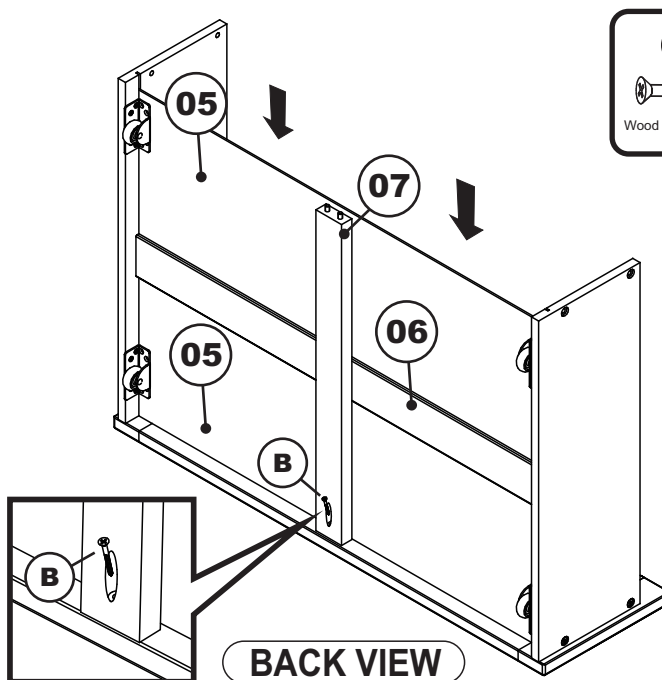
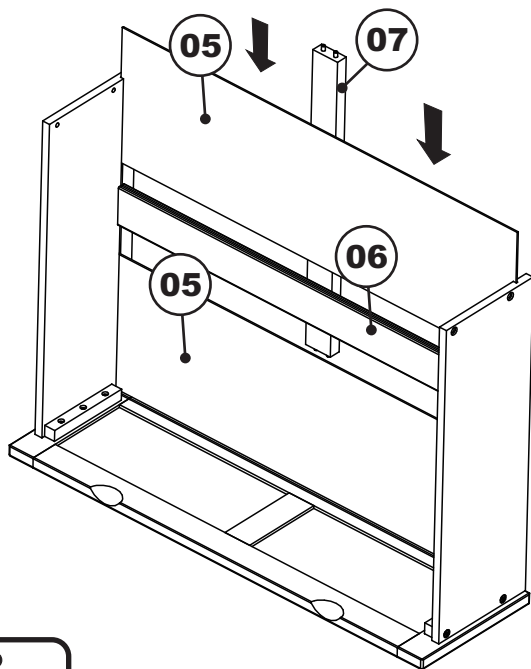
CODE	ITEM
DB-DR2-ISL	G-32833X

**PO :**

## TWIN/FULL

### Step 2

Guide the drawer bottoms (05) and drawer middle (06) in carefully so that they align inside grooves. Be sure it fits fully into the face and side groove before attaching the drawer back (04). Attach drawer center support (07) to bottom of drawer face using wood screw 1 1/4" (B). Tighten with Phillips head screw driver. (Customer supplied)

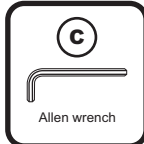
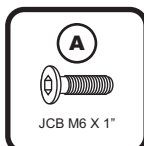
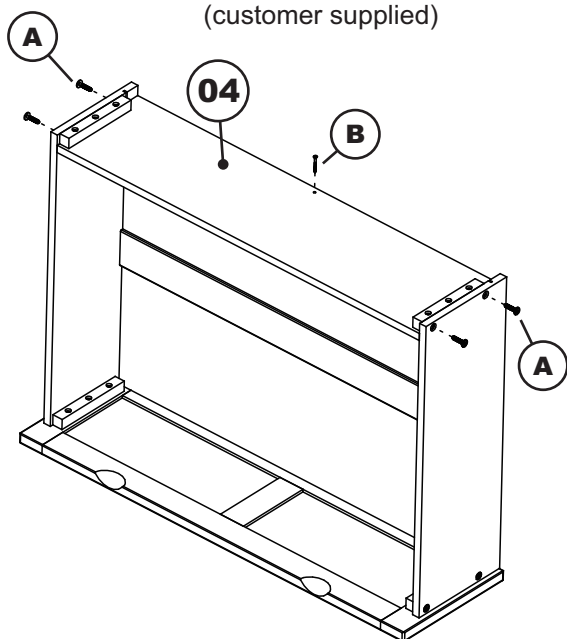


BACK VIEW



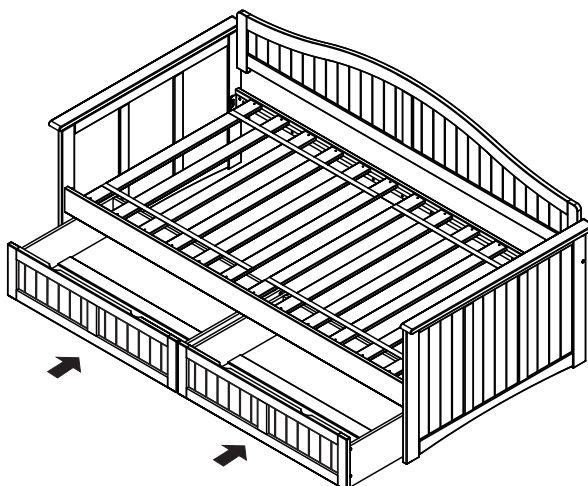
### Step 3

Attach drawer back (04) to bed drawer assembly as shown. Use JCB M6 X 1" (A). Tighten with Allen wrench (C). Use wood screws 1 1/4" (B) to finish attaching drawer center support (07) to drawer back (04). Tighten with Phillips head screw driver. (customer supplied)



### Step 4

Lastly, insert bed drawer to the bed as shown below.



**Congratulations!**

Your bed drawer is now ready for use. We recommend that you periodically recheck that all screws are tight to ensure lasting safety.