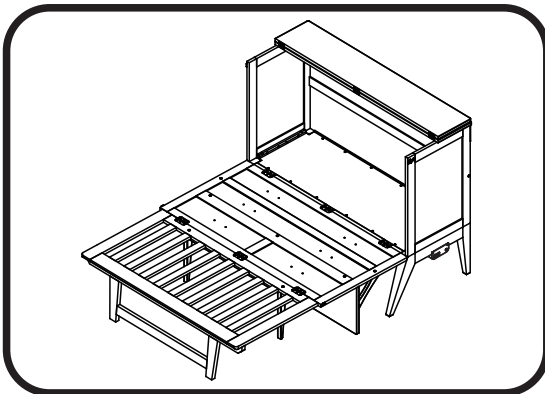
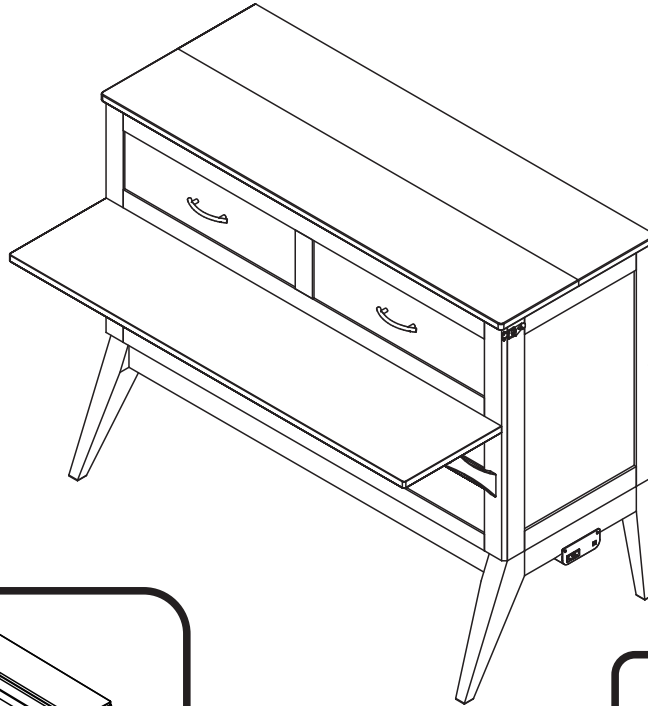


FULL

ASSEMBLY INSTRUCTIONS

Before assembling your murphy bed, please read through these instructions carefully and familiarize yourself with the different parts.

ATTENTION! If you receive a damaged or defective item, please contact affurnishings at customerservice@afifurnishings.com or 1-800-955-3726



CODE	ITEM
MB-DKD-NHN	C-7831X
MB-DKB-NHN	C-7832X
MB-DKP-NHN	C-7833X

PO :

HARDWARE

NOTE: WE INCLUDE SPARE HARDWARE IN CASE DAMAGE OCCURS DURING ASSEMBLY.

- A** JCB M6 X 25mm (1") - 8 pcs
Spare - 1 pc
- B** JCB M6 X 30mm (1 1/4") - 5 pcs
Spare - 1 pc
- C** Allen Screw 45mm (1 3/4") - 8 pcs
Spare - 1 pc
- D** Wood screw 1" - 17 pcs
Spare - 2 pcs
- E** Flat Washer - 8 pcs
Spare - 2 pcs
- F** Hexagon Nut - 8 pcs
Spare - 1 pc
- G** Allen wrench - 1 pc
Spare - 1 pc
- H** Hexagon wrench - 1 pc
- I** Spring clip set with screw - 2 pcs
- J** Triangle Bracket - 2 pcs
- K** Surface Mount Charger 2 - 1 set
Screw 1/2" - 2 pcs
Spare - 1 pc
- L** Rubber Bumper - 3 pcs
Spare - 3 pcs

FULL PARTS LIST

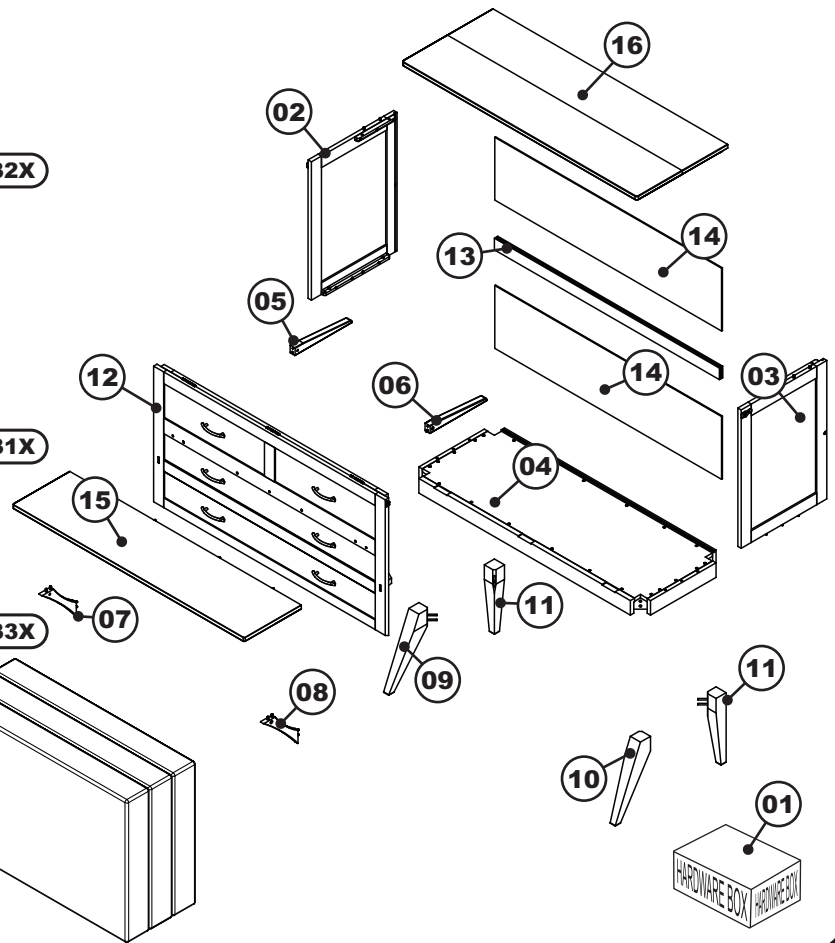
- 01 HARDWARE
- 02 LEFT SIDE PANEL
- 03 RIGHT SIDE PANEL
- 04 BASE
- 05 LEFT PANEL LEG
- 06 RIGHT PANEL LEG
- 07 LEFT DESK SUPPORT
- 08 RIGHT DESK SUPPORT
- 09 LEFT FRONT LEG
- 10 RIGHT FRONT LEG
- 11 BACK LEG
- 12 FOLDING PANEL
- 13 BACK RAIL
- 14 BACK PANEL
- 15 DESK TOP
- 16 TOP PANEL
- 17 FOLDING MATTRESS

1 BOX C-7832X

1 BOX C-7831X

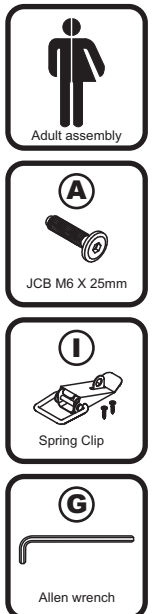
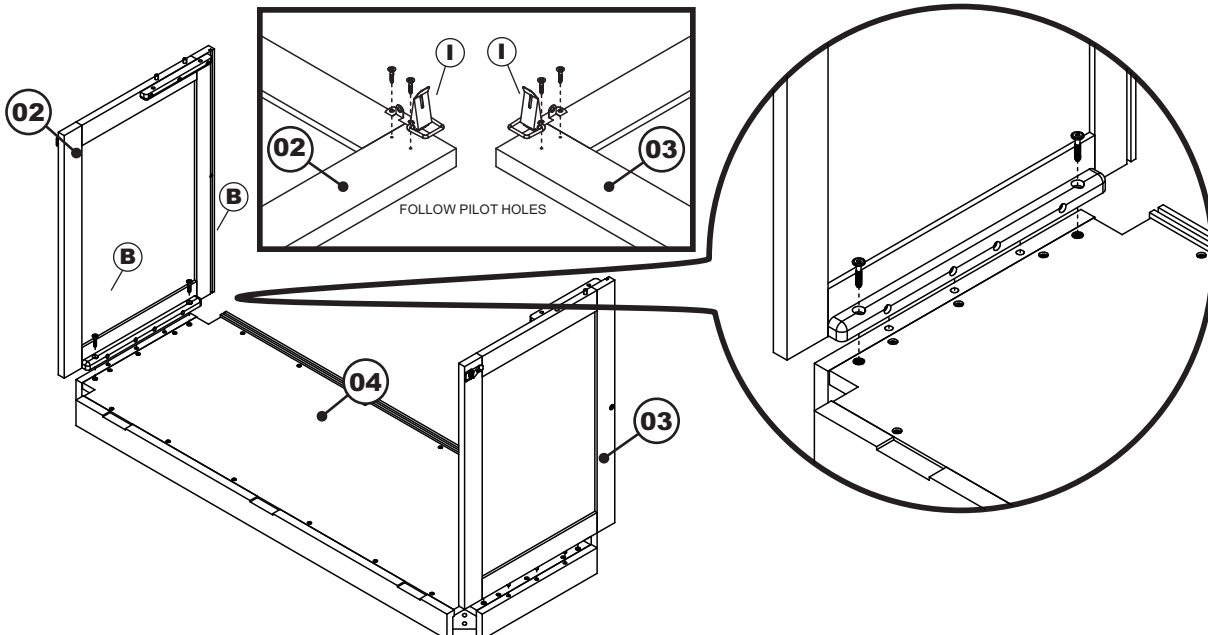
1 BOX C-7833X

1 BOX



STEP 1

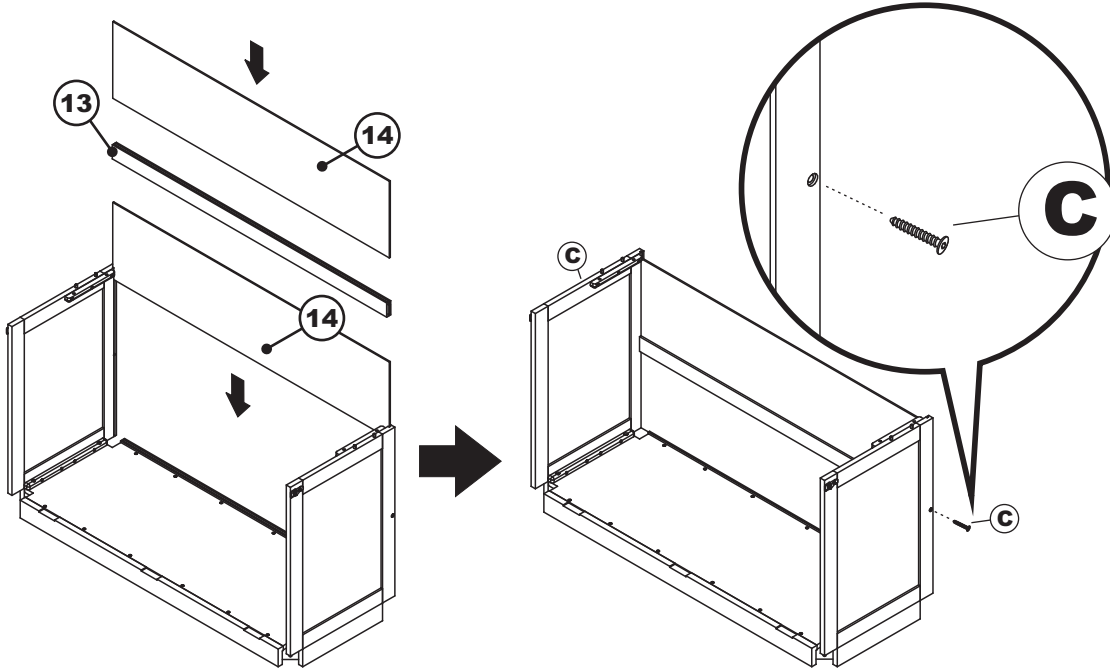
Install spring clip (I) set with screw to side panels (02)(03). Attach left side panel (02) and right side panel (03) to the base (04) as shown below. Use JCB (A). Tighten with Allen wrench (G)



FULL

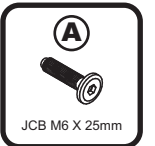
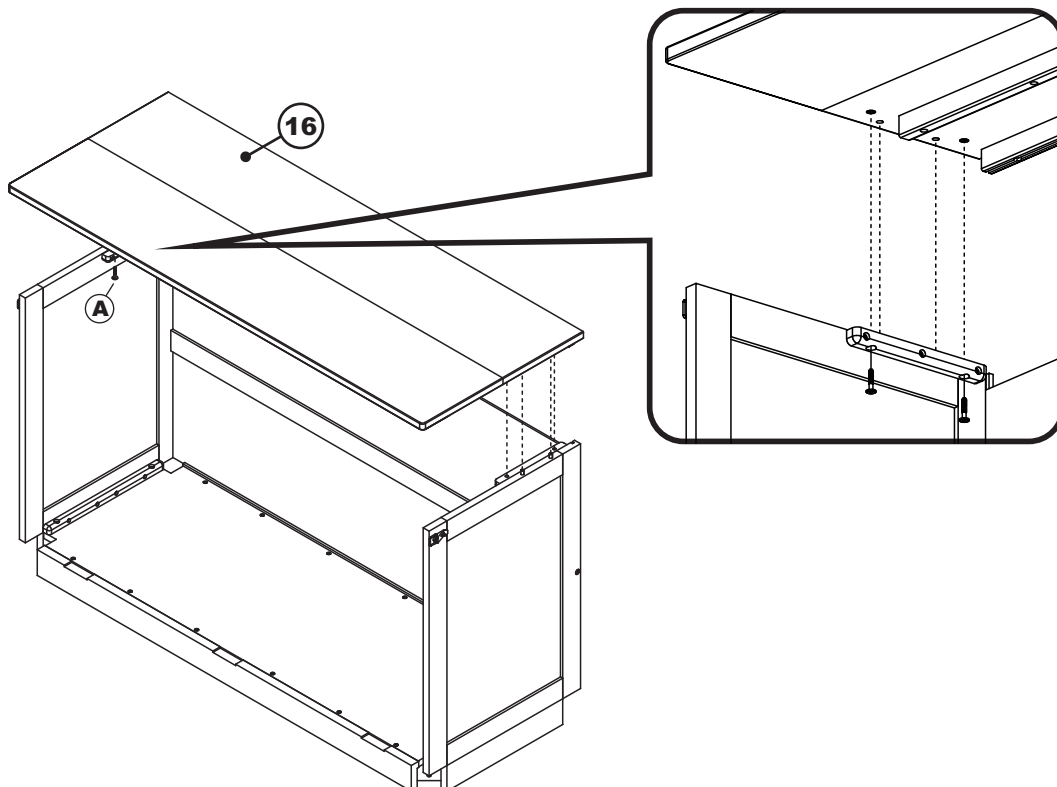
STEP 2

Guide the back panel (14) and back rail (13) in carefully so that it won't jump out of its grooves. Be sure it fits fully into its groove at the back rail before fitting the top panel. Use allen screw (C). Tighten with allen wrench (G).



STEP 3

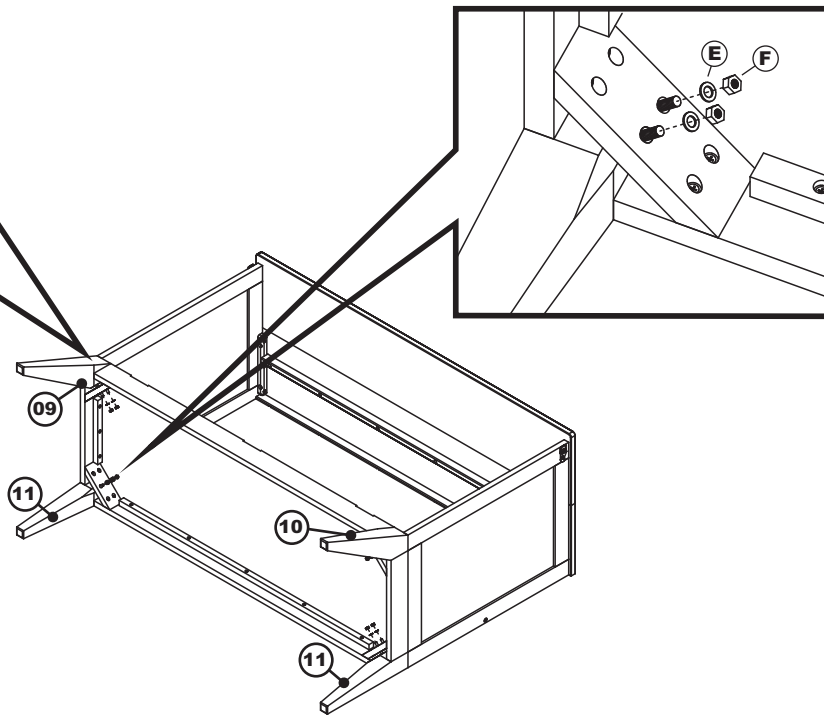
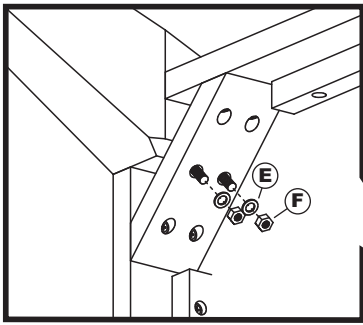
Attach top panel (16) to cabinet assembly as shown below. Use JCB (A). Tighten with Allen wrench (G)



FULL

STEP 4

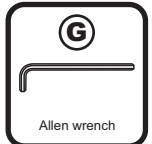
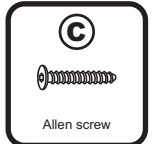
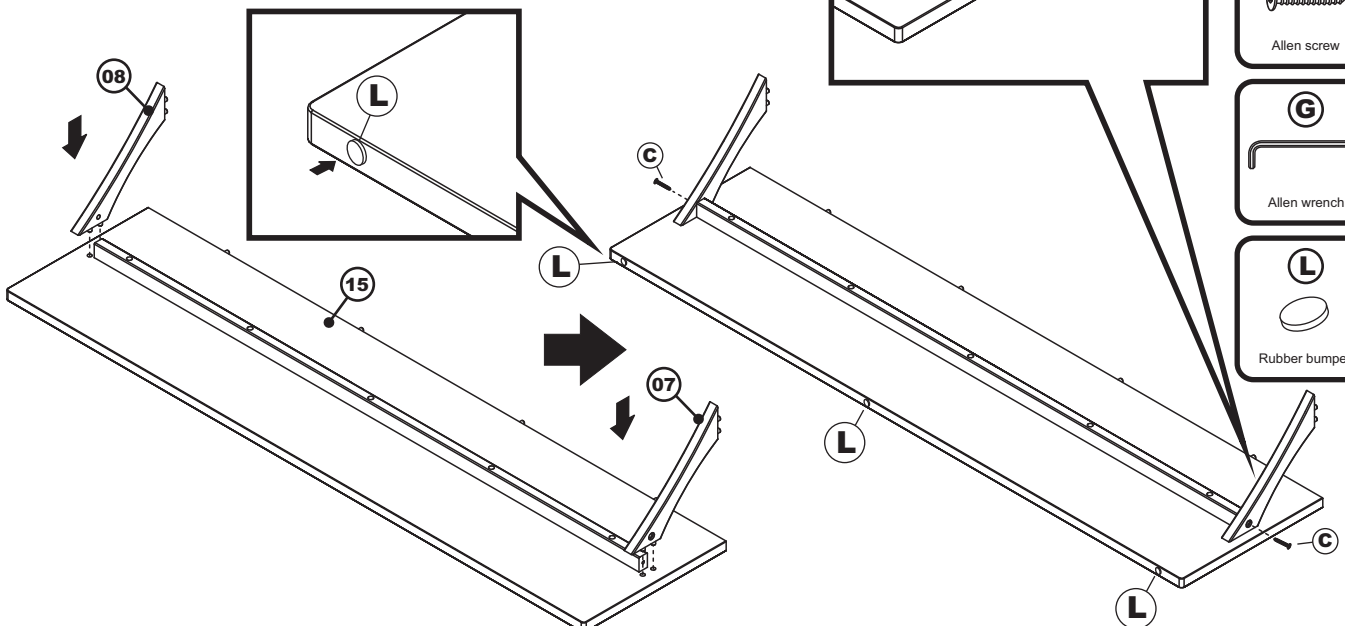
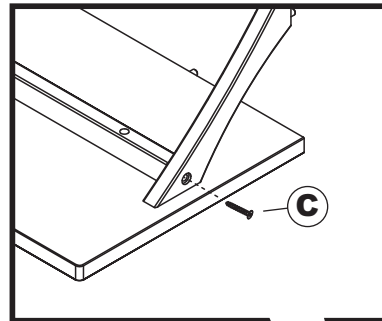
Attach left right front legs (09)(10) and back legs (11) to cabinet assembly as shown below. Use flat washer (E) and hexagon nut (F). Tighten with Hexagon wrench (H)



STEP 5

Attach left desk support (07) and right desk support (08) to desk top (15) as shown below. Use Allen screw (C). Tighten with Allen wrench (G)

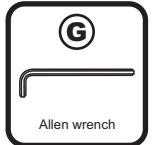
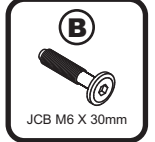
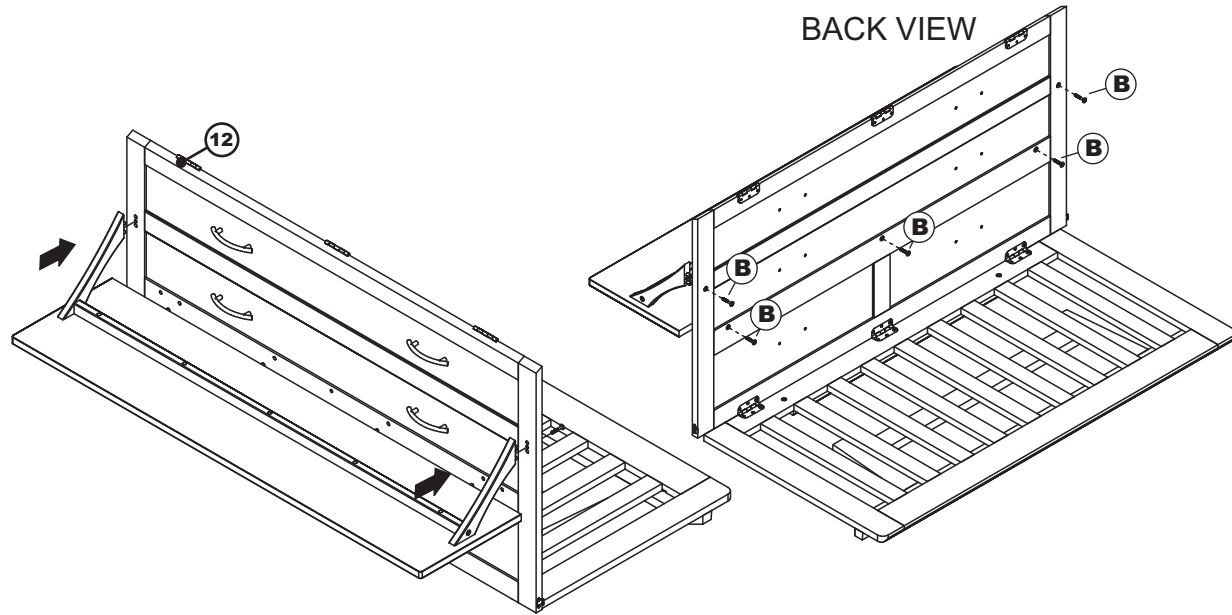
If your Murphy Bed Desk is to be used on a floor with hard surface such as tile, or wood, we should attach 3 rubber bumpers (L) as shown. When using on carpeted floor, the rubber bumper is not required. We include 6 pieces of rubber bumper. Should you require to replace in the future.



FULL

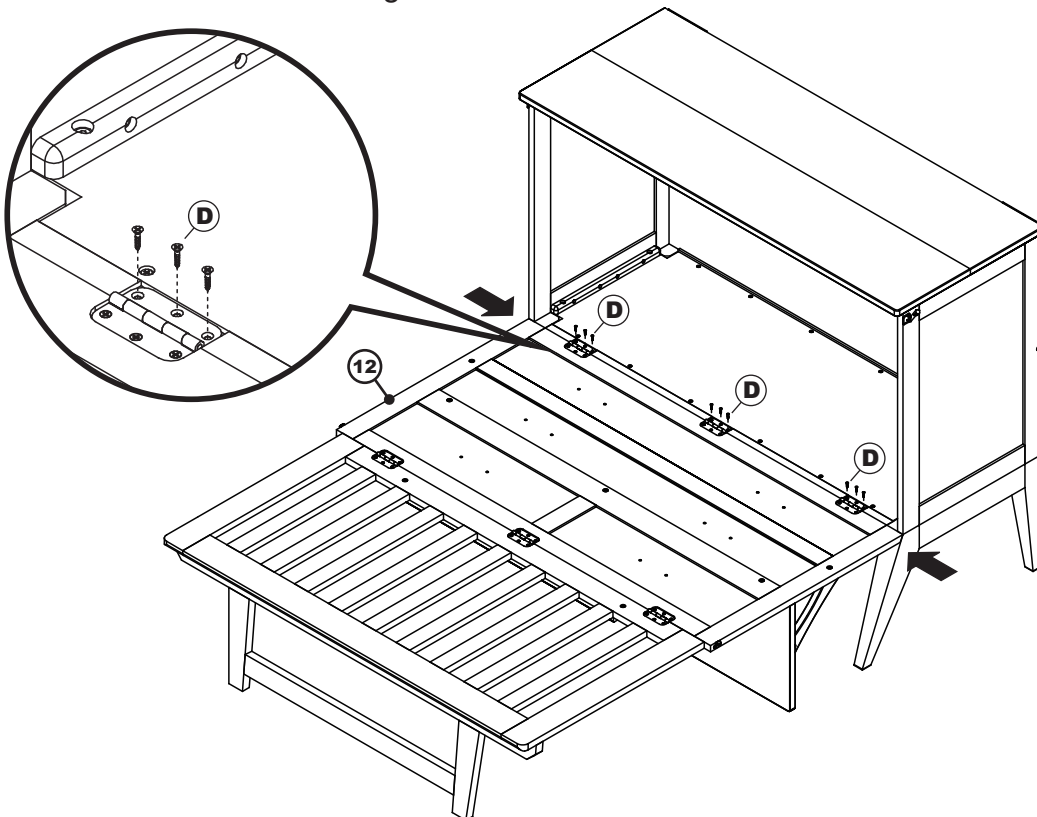
STEP 6

Attach desk top assembly to folding panel (12) as shown below. Use JCB (B). Tighten with Allen wrench (G)



STEP 7

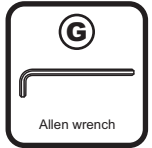
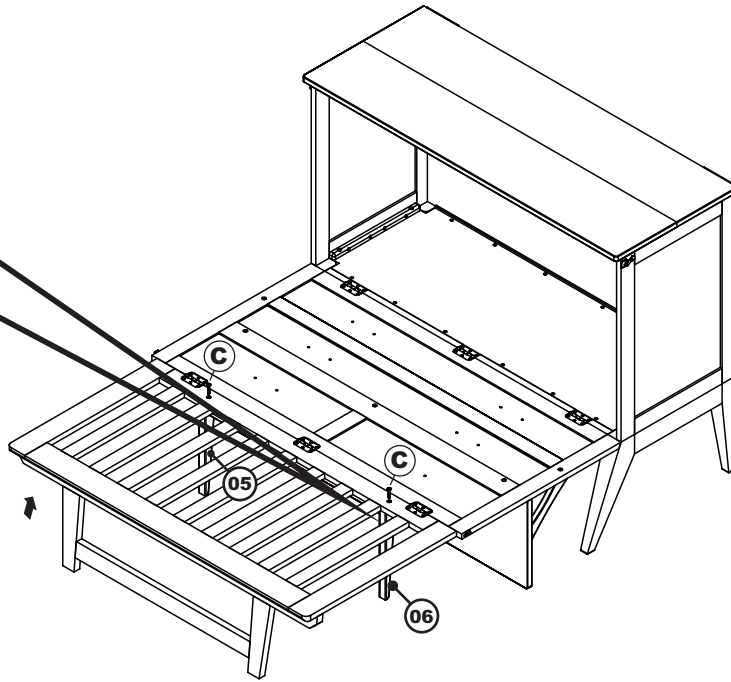
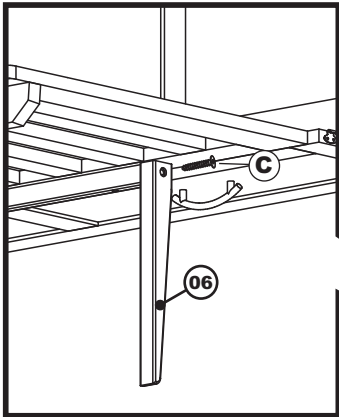
Attach folding panel assembly (12) to cabinet assembly as shown below. Use wood screw (D). Tighten with Phillips head screwdriver. Customer supplied. Be sure to align with cabinet.



FULL

STEP 8

Attach left right panel legs (05)(06) to cabinet assembly as shown below. Use allen screw (C) tighten with Allen wrench (G).



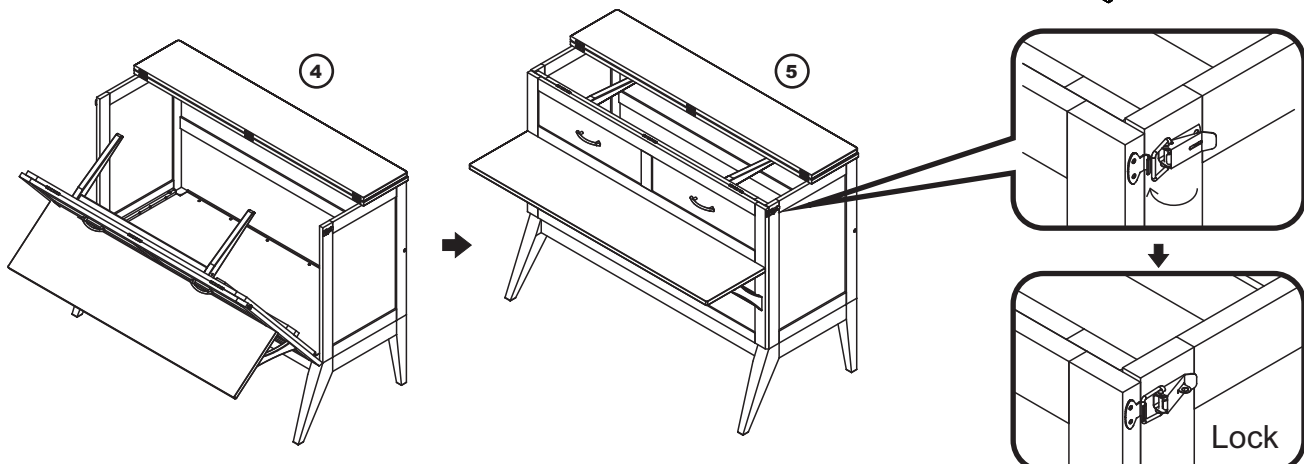
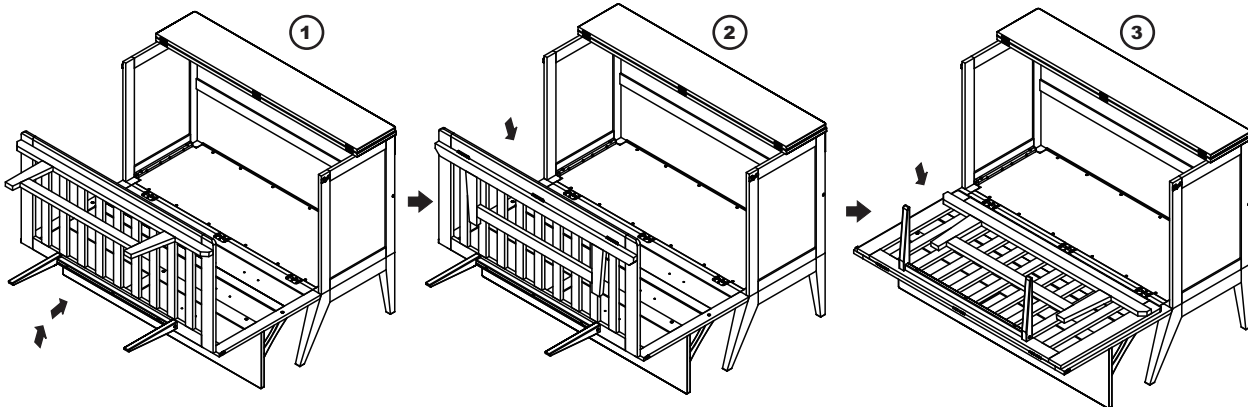
Phillips screwdriver



Customer supplied

STEP 9

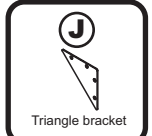
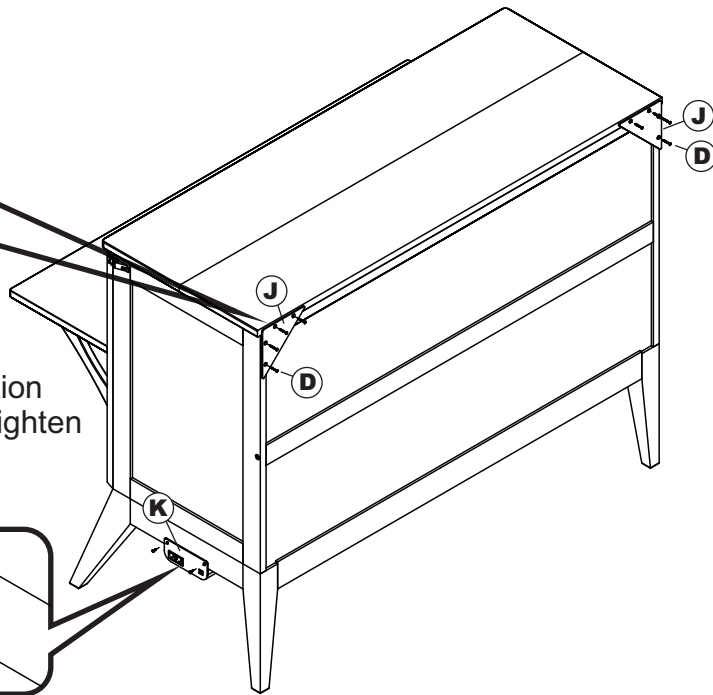
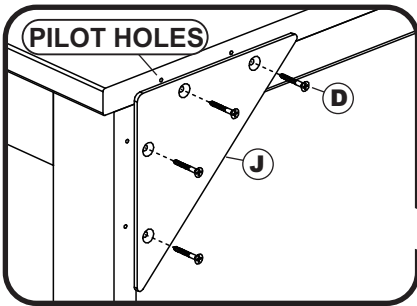
Folding up the door. Push the door closed and latch both sides as shown below.



FULL

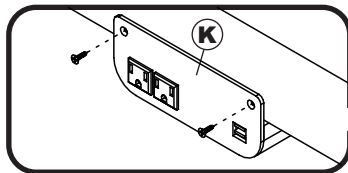
STEP 10

Attach triangle bracket (J) to the back of cabinet as shown below. Use wood screw (D) tighten with Phillips head screwdriver. (customer supplied).



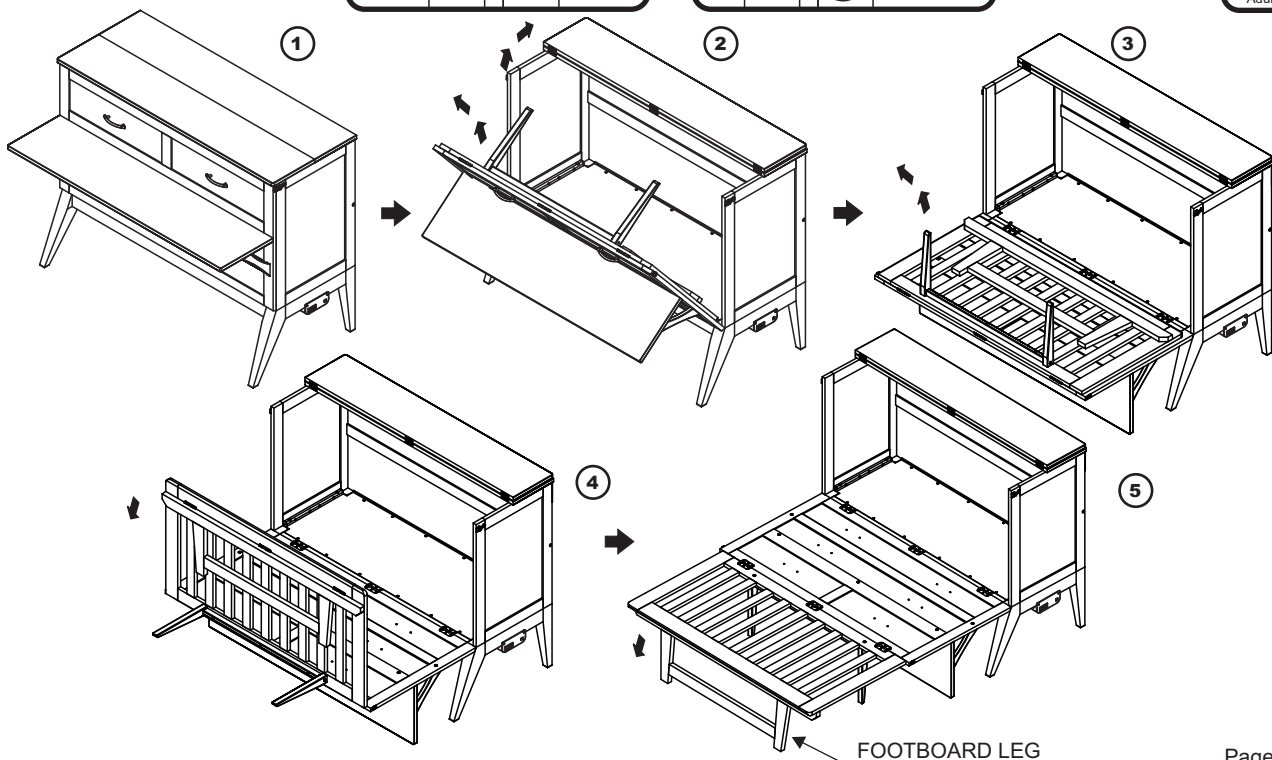
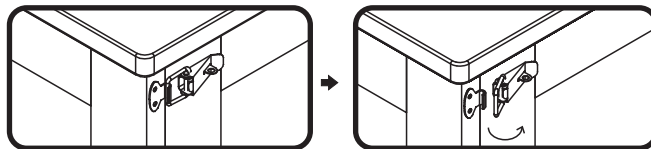
STEP 11

Install USB charger (K) to the location as shown. Using 1/2" screws and tighten with Phillips head screwdriver. (Customer supplied)



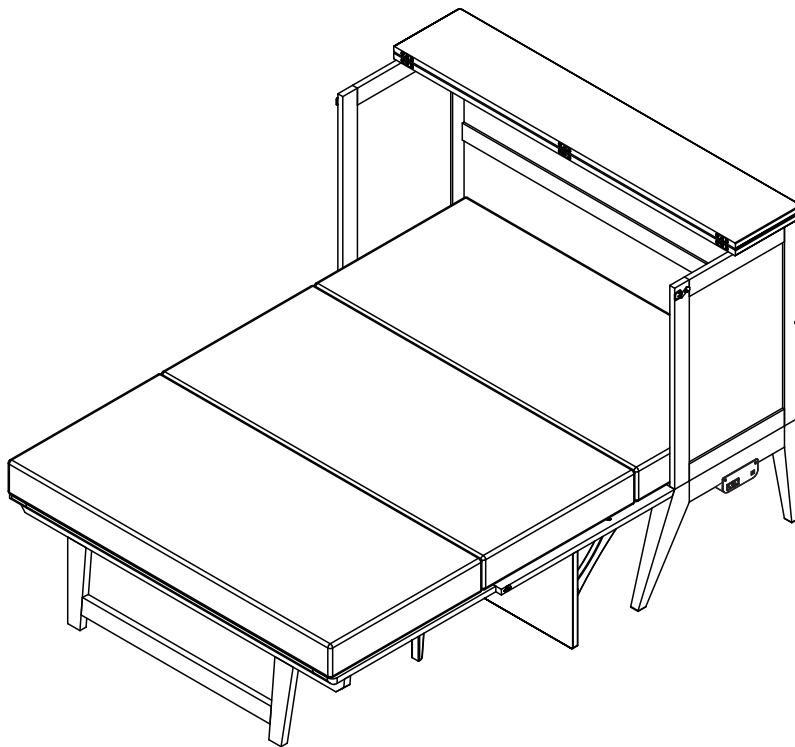
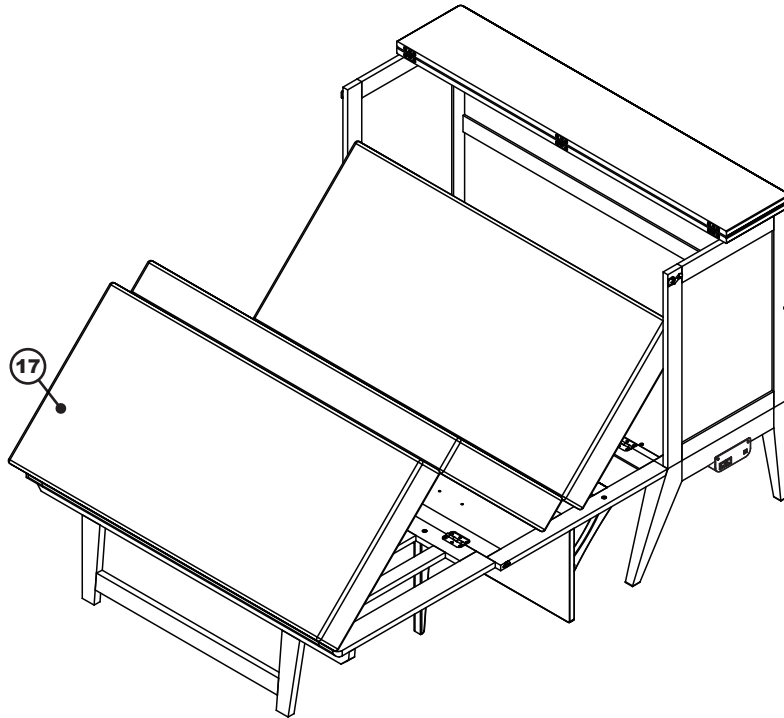
STEP 12

Open top lid, unlatch the door and open, folding down and open footboard legs as shown.



FULL

STEP 12 Install folding mattress (17) to the bed as shown below.



Congratulations!

Your Murphy bed is now ready for use.

We recommend that you recheck that all screws are tight, and that all parts are secure before use to ensure lasting Safety.