

## ASSEMBLY INSTRUCTIONS

Before assembling your headboard, please read through these instructions carefully and familiarize yourself with the different parts.

**ATTENTION!** If you receive a damaged or defective item, please contact afifurnishings at [customerservice@afifurnishings.com](mailto:customerservice@afifurnishings.com) or 1-800-955-3726



### PARTS LIST

- ① LEFT POST 1 PC
- ② RIGHT POST 1 PC
- ③ TOP RAIL 1 PC
- ④ MID RAIL 1 PC
- ⑥ BOTTOM RAIL 1 PC

Instructions apply for bed sizes  
TWIN > FULL > QUEEN

### HARDWARE

- ① JCB M6 X 110mm - 4 pcs  
Spare - 1 pc
- ② Barrel Nut - 4 pcs  
Spare - 1 pc
- ③ JCB M8 X 15mm ( 5/8" ) - 4 pcs  
*Assembly headboard to open bed frame*
- ④ Wood Dowel - 10 pcs  
Spare - 1 pc
- ⑤ Allen wrench - 1pc  
Spare - 1pc

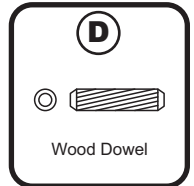
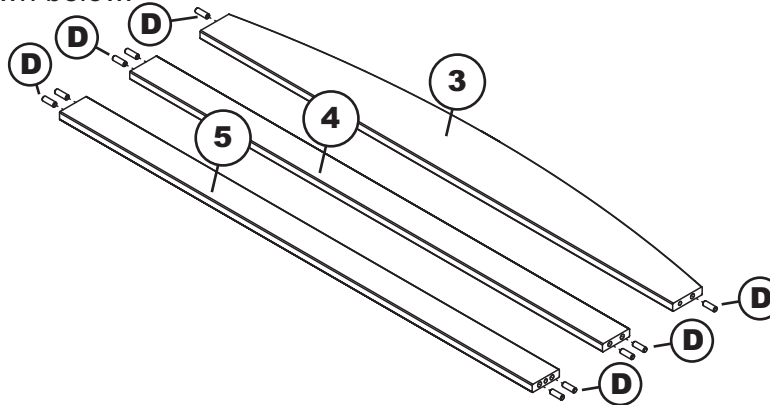
#### HARDWARE FOR METAL BED FRAME

- ① JCB M6 X 25mm (1") - 4 pcs  
Spare - 1 pc
- ② Flat washer - 4 pcs  
Spare - 1 pc
- ③ Split washer - 4 pcs  
Spare - 1 pc

NOTE: WE INCLUDE SPARE HARDWARE IN CASE DAMAGE OCCURS DURING ASSEMBLY.

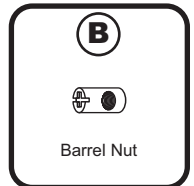
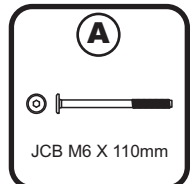
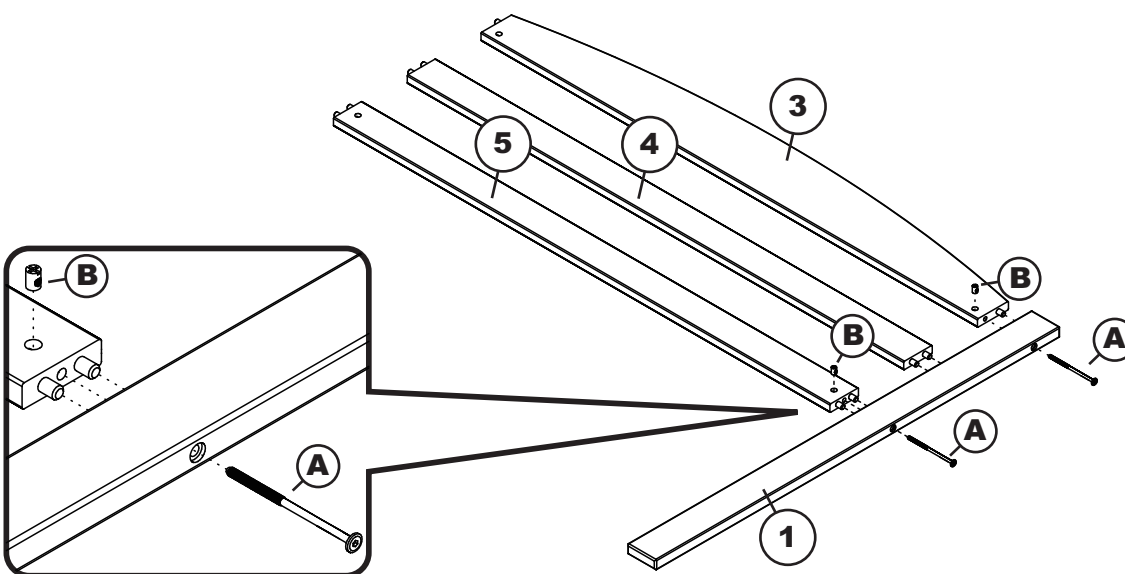
### Step 1

Insert all wooden dowels (D) into the locator holes on (3)(4) and(5) as shown below.



### Step 2

Lay the left post (1) bracket face down on smooth surface. Connect top rail (3), mid rail (4) and bottom rail (5) as shown below, using JCB M6 X 110mm (A) and barrel nut (B). Tighten with the Allen wrench (E).

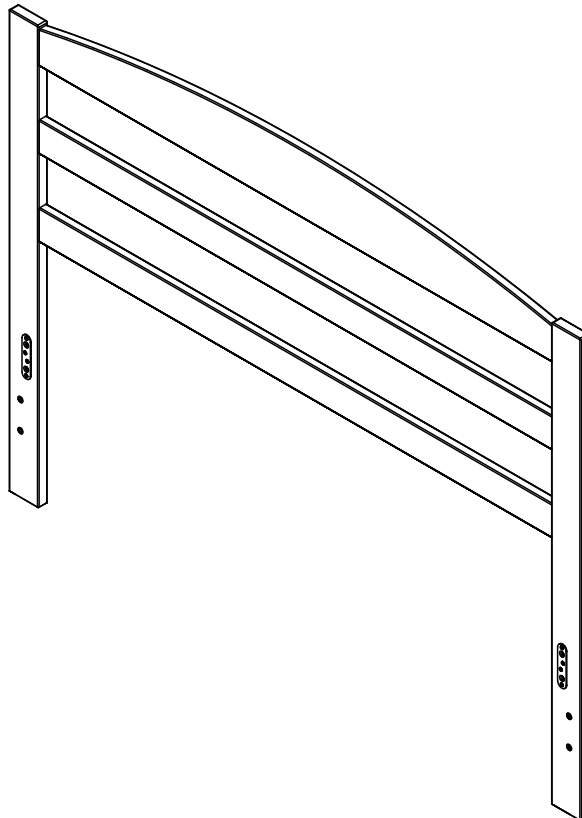
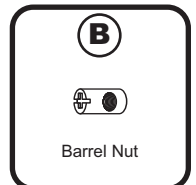
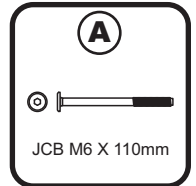
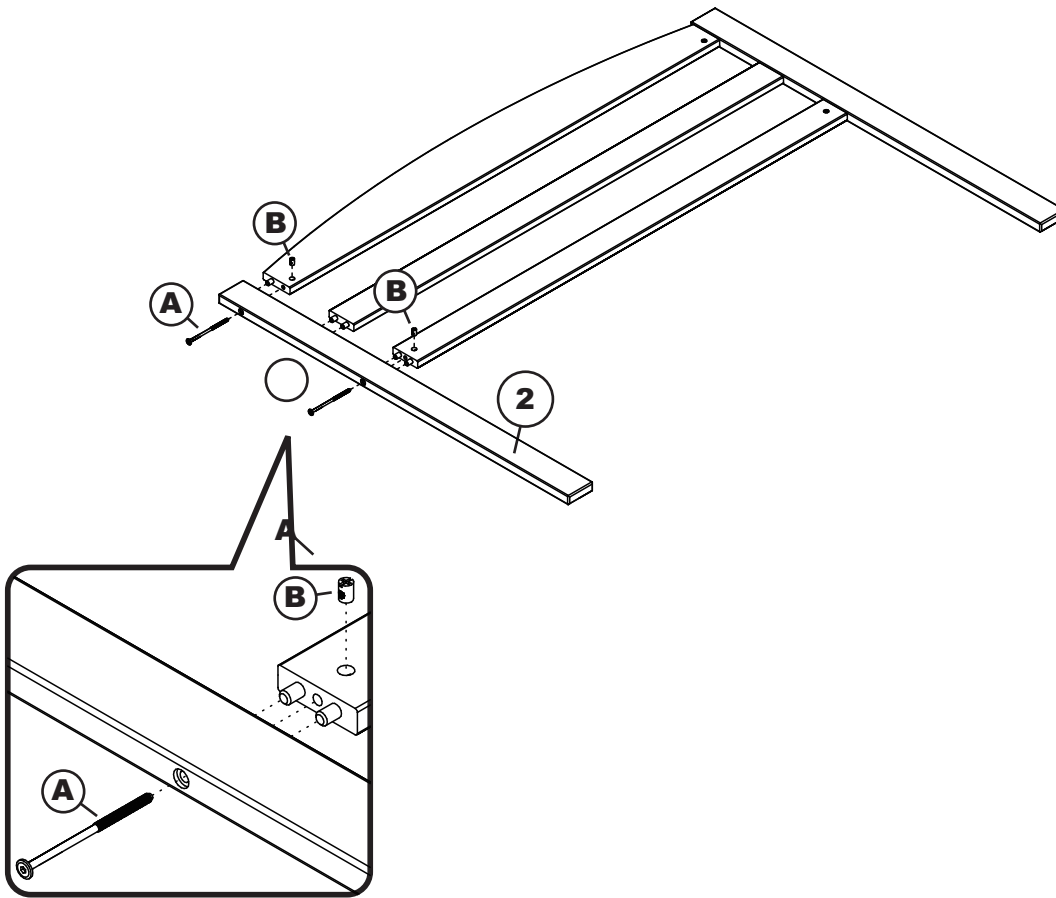


PO:

CODE	ITEM	ITEM	ITEM
HB-ISL-WRN	G-11902X	G-11903X	G-11904X

### Step 3

Attach the right post (2) to headboard assembly as shown below, using JCB M6 X 110mm (A) and barrel nut (B). Tighten with Allen wrench (E)



**FOR BED FRAME ASSEMBLY** follow assembly instructions included with your bed frame.  
If you purchased a wood headboard to attach to metal bed frame, please refer to page 3.

## FULL ASSEMBLY INSTRUCTIONS

Before assembling your bed frame, please read through these instructions carefully and familiarize yourself with the different parts.



**ATTENTION!** If you receive a damaged or defective item, please contact afifurnishings at [customerservice@afifurnishings.com](mailto:customerservice@afifurnishings.com) or 1-800-955-3726

### PARTS LIST

①	<b>FOOT RAIL</b>	<b>1 PC</b>
②	<b>LEFT LEG</b>	<b>1 PC</b>
③	<b>RIGHT LEG</b>	<b>1 PC</b>
④	<b>SIDE RAILS</b>	<b>2 PCS</b>
⑤	<b>SLAT KIT</b>	<b>2 SETS</b>
⑥	<b>SLAT SUPPORT 1</b>	<b>1 PC</b>
⑦	<b>SLAT SUPPORT 2</b>	<b>1 PC</b>
⑧	<b>SUPPORT LEGS</b>	<b>3 PCS</b>

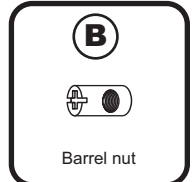
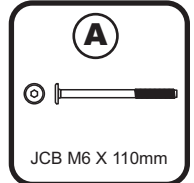
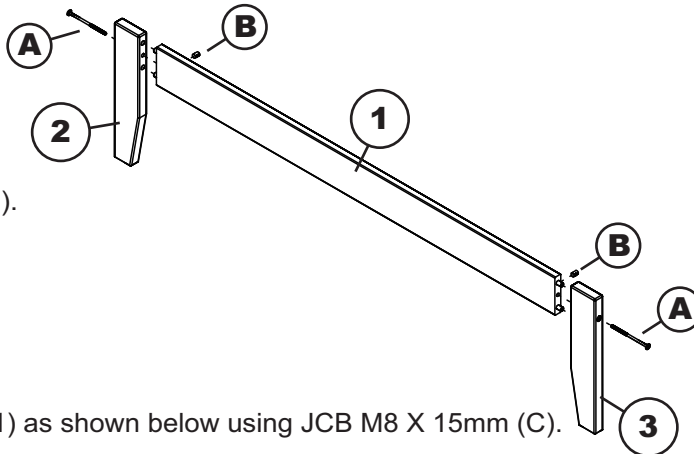
### HARDWARE

ⓐ	JCB M6 X 110mm (4 3/8") - 2 pcs Spare - 1 pc	ⓔ	JCB M6 X 25mm(1") - 4pcs
ⓑ	Barrel nut - 2 pcs	ⓕ	Cap nut - 4pcs
ⓒ	JCB M8 X 15mm ( 5/8") - 4 pcs	ⓖ	Allen Screw - 3pcs
ⓓ	Wood screw(1 1/4") - 25 pcs Spare - 2 pcs	ⓓ	Allen wrench M6 - 1pc
		ⓓ	Allen wrench M4 - 1pc Spare - 1pc

NOTE: WE INCLUDE SPARE HARDWARE IN CASE DAMAGE OCCURS DURING ASSEMBLY.

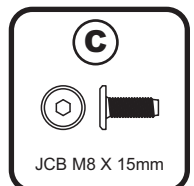
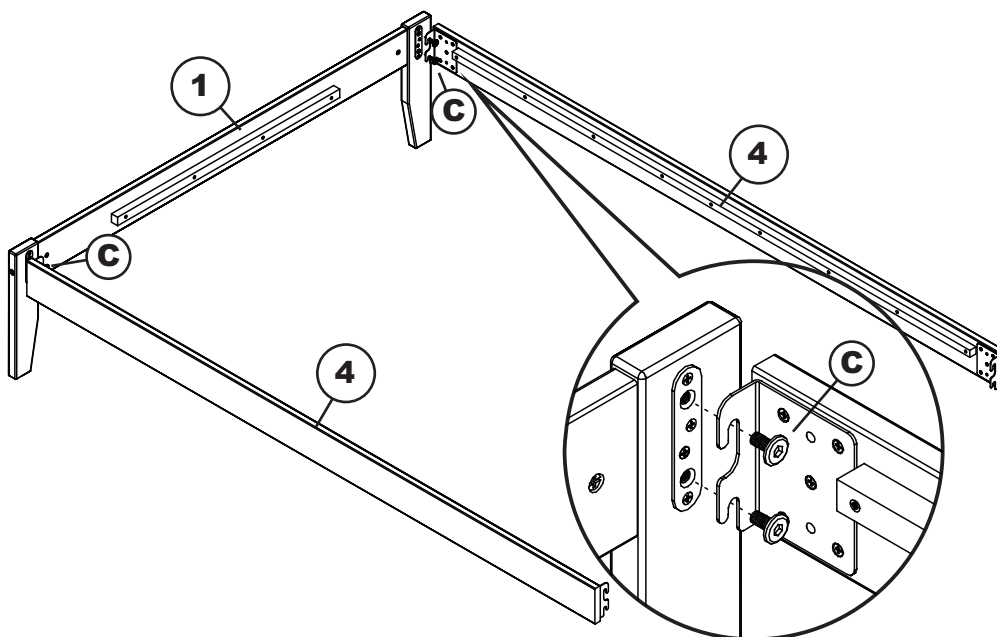
### Step 1

Attach the legs (2) and (3) to foot rail (1), using JCB M6 X 110mm (A) and barrel nut (B).  
Tighten with the Allen wrench M4 (I).



### Step 2

Attach side rails (4) to the foot rail (1) as shown below using JCB M8 X 15mm (C).  
Tighten with Allen wrench M6 (H).



PO:

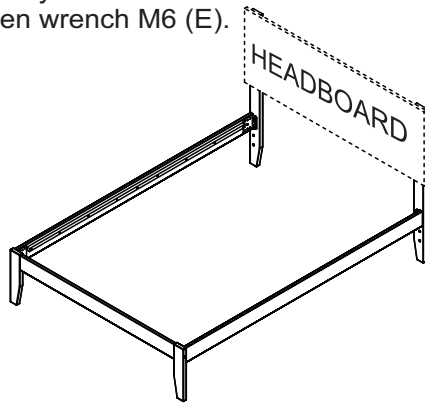
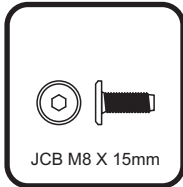
CODE ITEM  
FR-OP-ISL G-21803X

## FULL



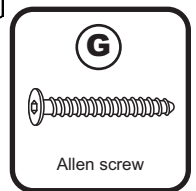
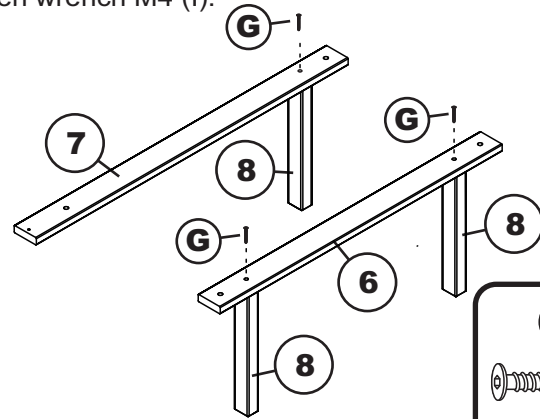
### Step 3

Attach open bed frame to the headboard as shown below using 4 JCB M8 X 15mm bolts that are supplied with your headboard. Tighten with the Allen wrench M6 (E).



### Step 4

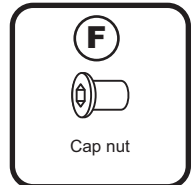
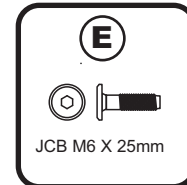
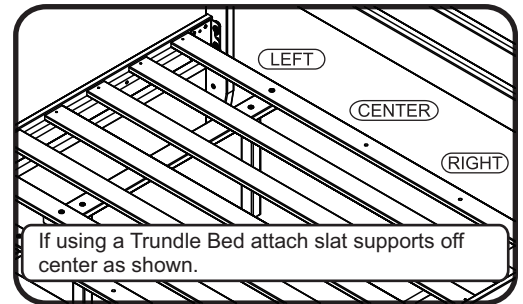
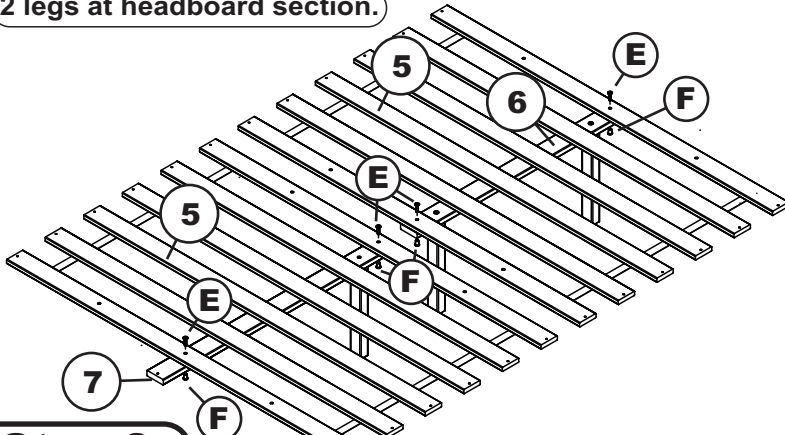
Attach support legs (8) to slat support 1 & 2 (6)(7) as shown below using Allen screw (G) tighten with Allen wrench M4 (I).



### Step 5

Attach slat support 1(6) and slat support 2 (7) to the slat kit (5) as shown below using JCB M6 X 25mm (E) and cap nut (F). Tighten with Allen wrench M4 (I).

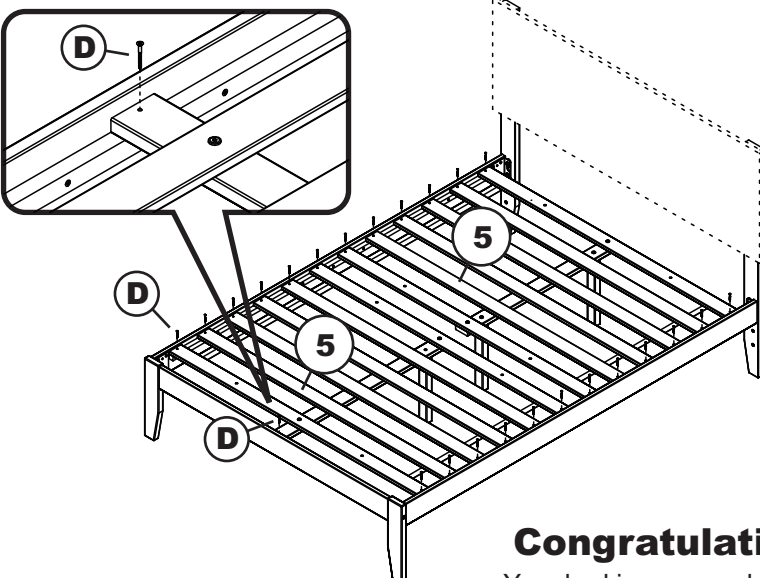
2 legs at headboard section.



### Step 6

1 leg at footboard section.

Attach 2 slat kits (5) to the open bed frame as shown below using wood screws 1 1/4" (D). Tighten with Phillips head screw driver. (customer supplied)



## Congratulations!

Your bed is now ready for use.

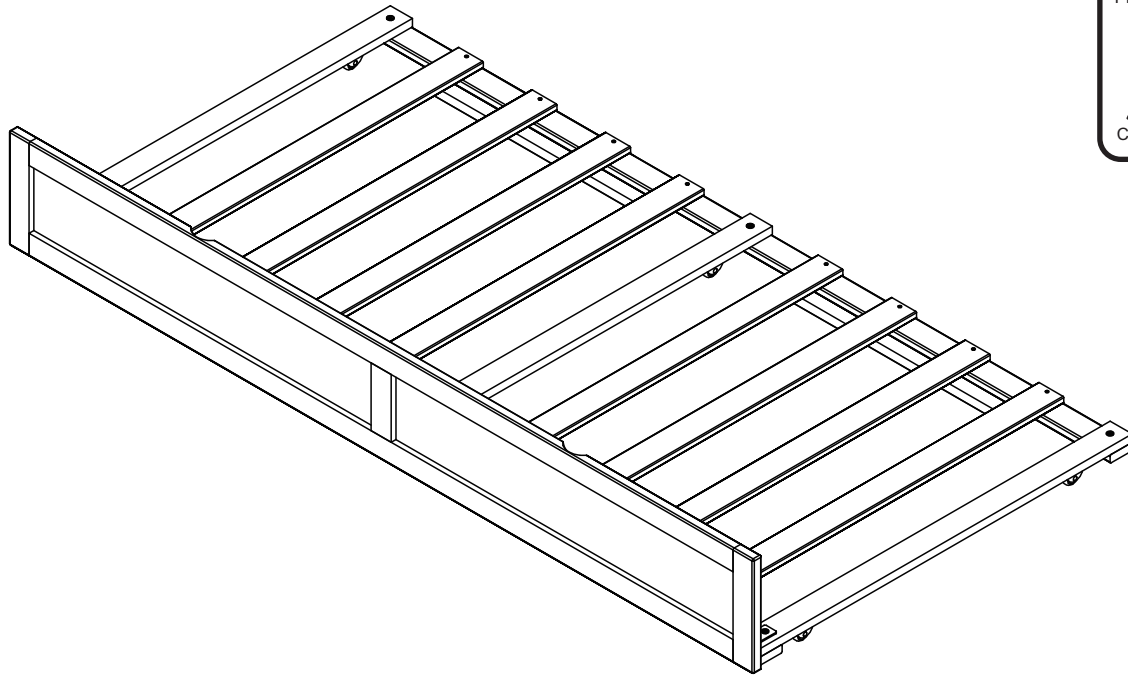
We recommend that you periodically recheck that all screws are tight to ensure lasting safety.

## TWIN ASSEMBLY INSTRUCTIONS

Before assembling your Trundle bed, please read through these instructions carefully. Familiarize yourself with the different parts.



**ATTENTION!** If you receive a damaged or defective item, please contact afifurnishings at [customerservice@afifurnishings.com](mailto:customerservice@afifurnishings.com) or 1-800-955-3726

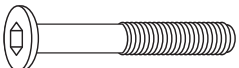


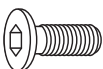
CODE	ITEM
ST-TD-ISL	G-35802X

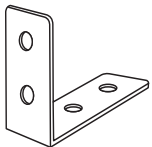
**PO :**

## HARDWARE


NOTE: WE INCLUDE SPARE HARDWARE IN CASE DAMAGE OCCURS DURING ASSEMBLY.

**A**  JCB M6 X 1 5/8" ( 40mm ) - 9 pcs  
Spare - 1 pc

**B**  JCB M6 X 5/8" ( 15mm ) - 6 pcs  
Spare - 1 pc  
Fix L bracket to front panel

**C**  L Bracket - 3 pcs

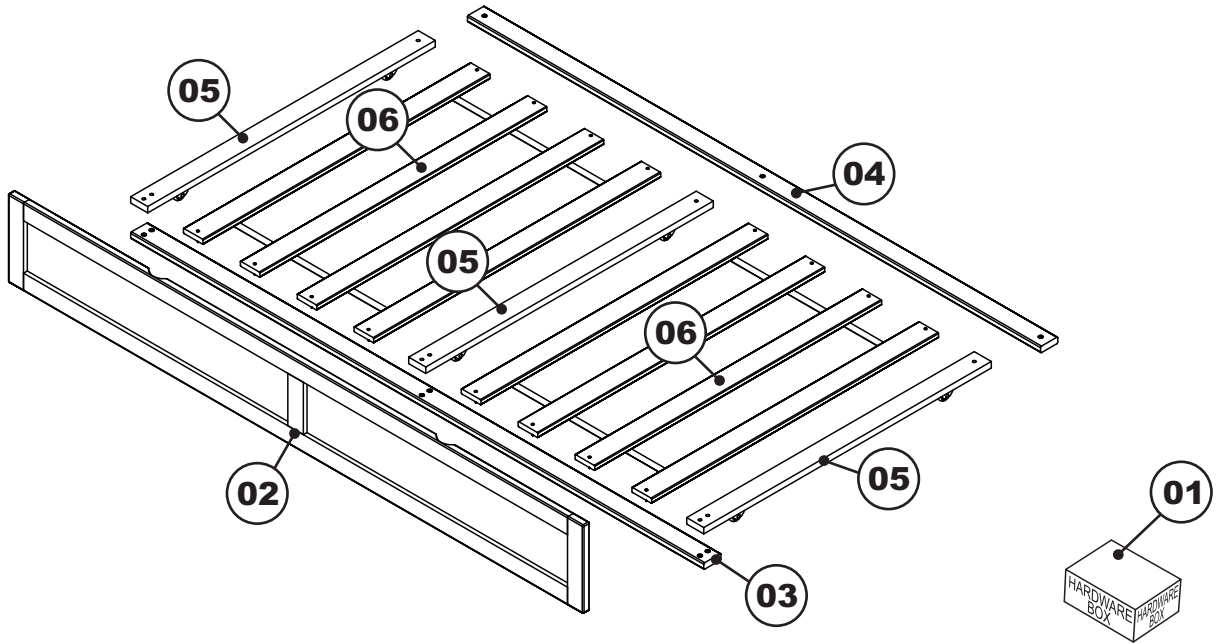
**D**  Wood screw - 16 pcs  
Spare - 2 pcs

**E**  Allen wrench - 1 pc  
Spare - 1 pc

TWIN

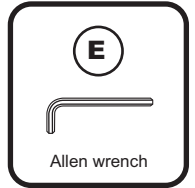
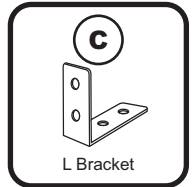
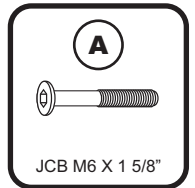
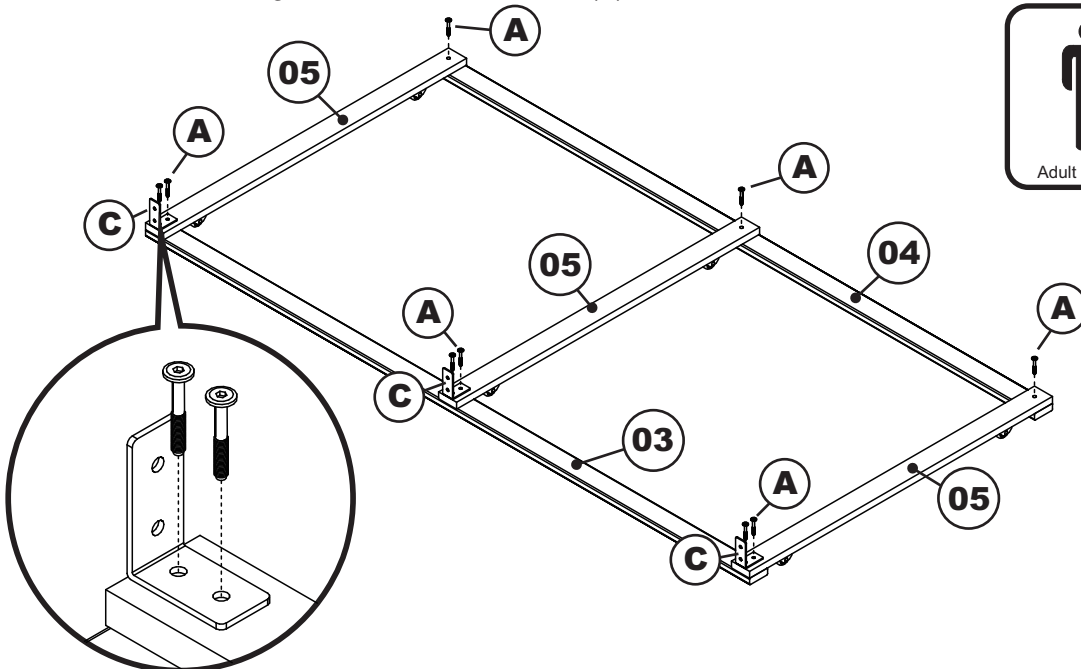
PARTS LIST

- |    |             |       |    |                       |        |
|----|-------------|-------|----|-----------------------|--------|
| 01 | HARDWARE    | 1 BOX | 05 | LEFT, RIGHT, MID RAIL | 3 PCS  |
| 02 | FRONT PANEL | 1 PC  | 06 | SLAT KIT WITH WEBBING | 2 SETS |
| 03 | FRONT RAIL  | 1 PC  |    |                       |        |
| 04 | BACK RAIL   | 1 PC  |    |                       |        |



**Step 1**

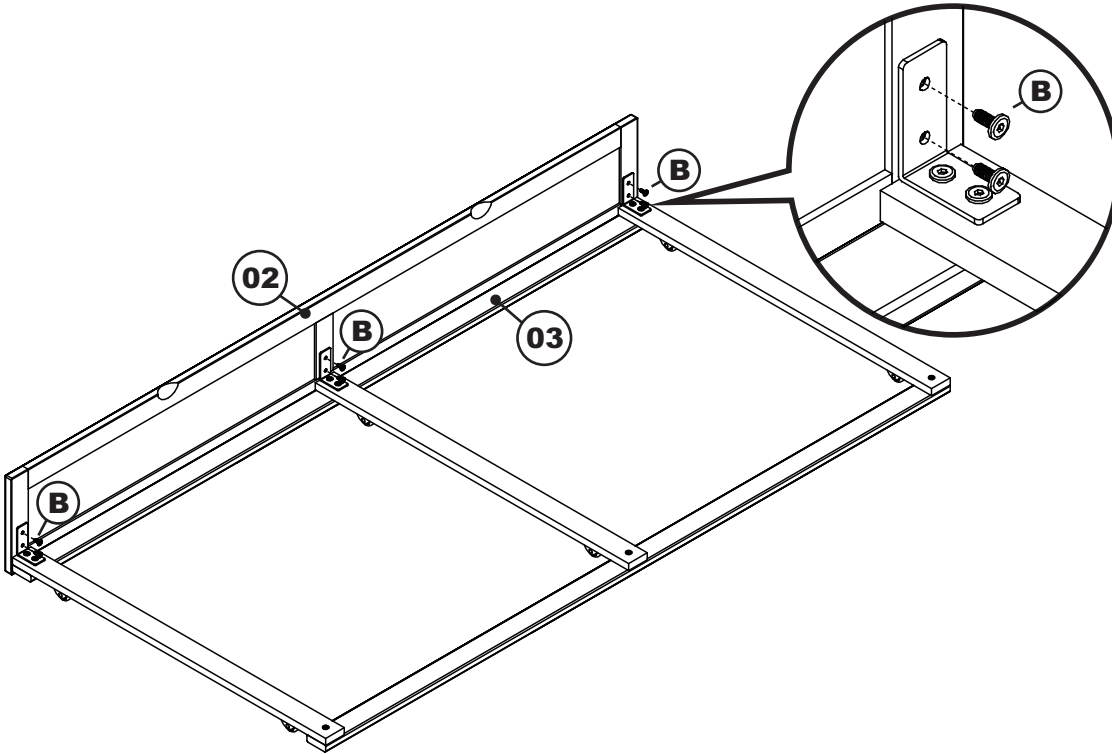
Attach the left, right and mid rails (05) to the front rail (03) using L bracket (C) and JCB M6 X 1 5/8" (A). Attach left, right and mid rails (05) to the back rail (4) using JCB M6 X 1 5/8" (A). Tighten with the Allen wrench (E).



## TWIN

### Step 2

Attach the front panel (02) to the front rail (03) as shown, using JCB M6 X 5/8" (B). Tighten with the Allen wrench (E).



B

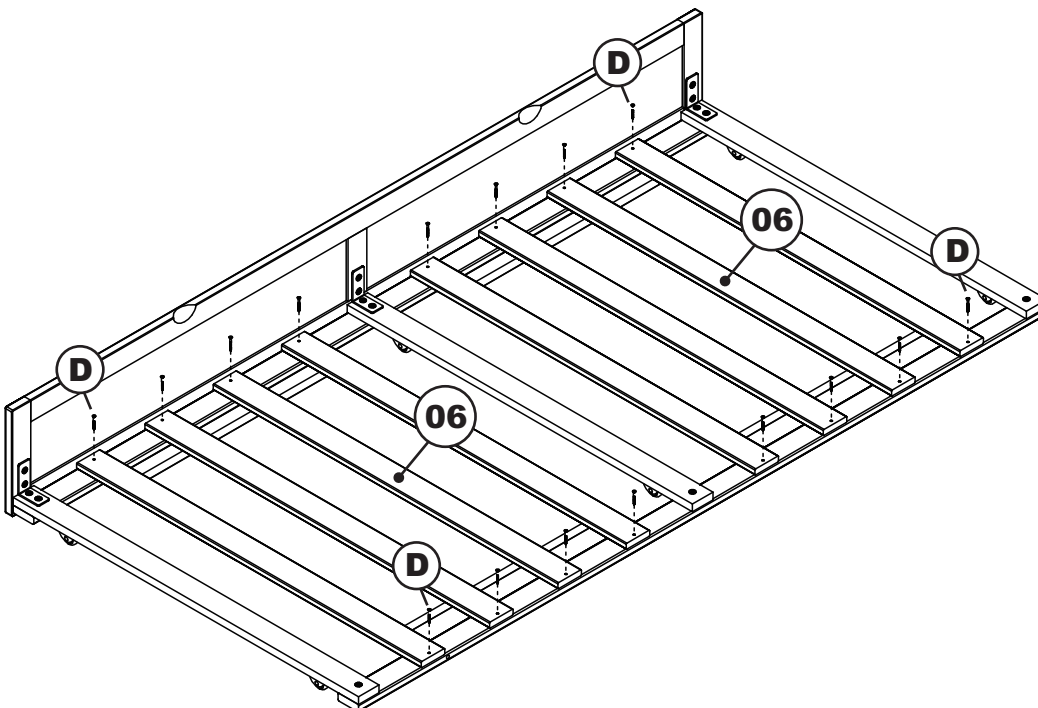


E

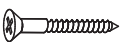


### Step 3

Lay the slat kits (06) webbing side down onto the rail assembly as shown. Attach using wood screw (D) and tighten with the Phillips head screw driver. (customer supplied)



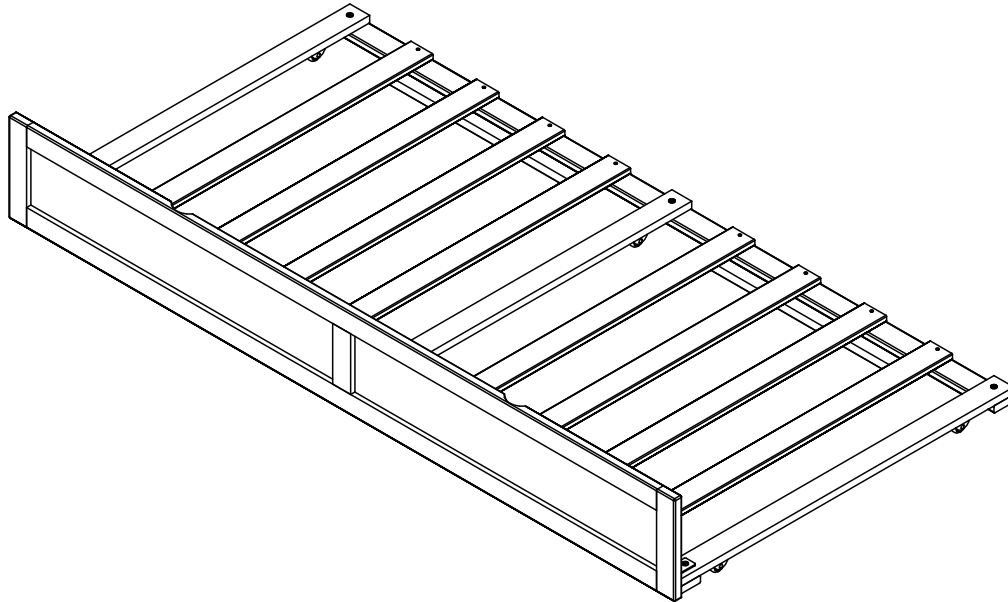
D



Phillips screwdriver



**TWIN**



**Congratulations!**

Your Trundle bed is now ready for use.  
We recommend that you periodically check that all screws are tight  
and all parts are secure to ensure lasting safety.