

ASSEMBLY INSTRUCTIONS

Before assembling your headboard, please read through these instructions carefully and familiarize yourself with the different parts.

ATTENTION! If you receive a damaged or defective item, please contact afifurnishings at customerservice@afifurnishings.com or 1-800-955-3726



PARTS LIST

- ① TOP / BOTTOM RAIL 2 PCS
- ② SLAT 6 PCS
- ③ WIDE SLAT 1 PC
- ④ LEFT POST 1 PC
- ⑤ RIGHT POST 1 PC
- ⑥ FOOTBOARD PANEL 1 PC
- ⑦ LEFT LEG 1 PC
- ⑧ RIGHT LEG 1 PC

Instructions apply for bed sizes
TWIN

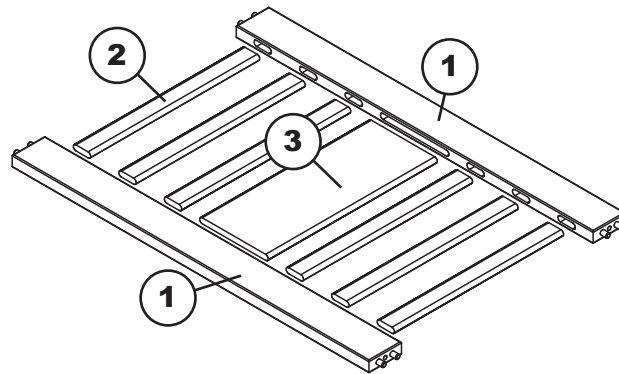
HARDWARE

- Ⓐ JCB M6 X 110mm - 8 pcs
Spare - 1 pc
- Ⓑ Barrel Nut - 8pcs
- Ⓒ JCB M8 X 15mm (5/8") - 8 pcs
Assembly headboard and footboard to side rails
- Ⓓ Allen wrench - 1pc
Spare - 1pc
- Ⓔ Allen wrench M6 - 1pc

NOTE: WE INCLUDE SPARE HARDWARE IN CASE DAMAGE OCCURS DURING ASSEMBLY.

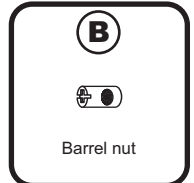
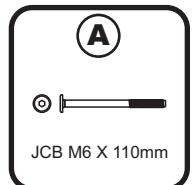
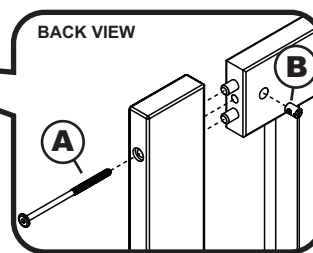
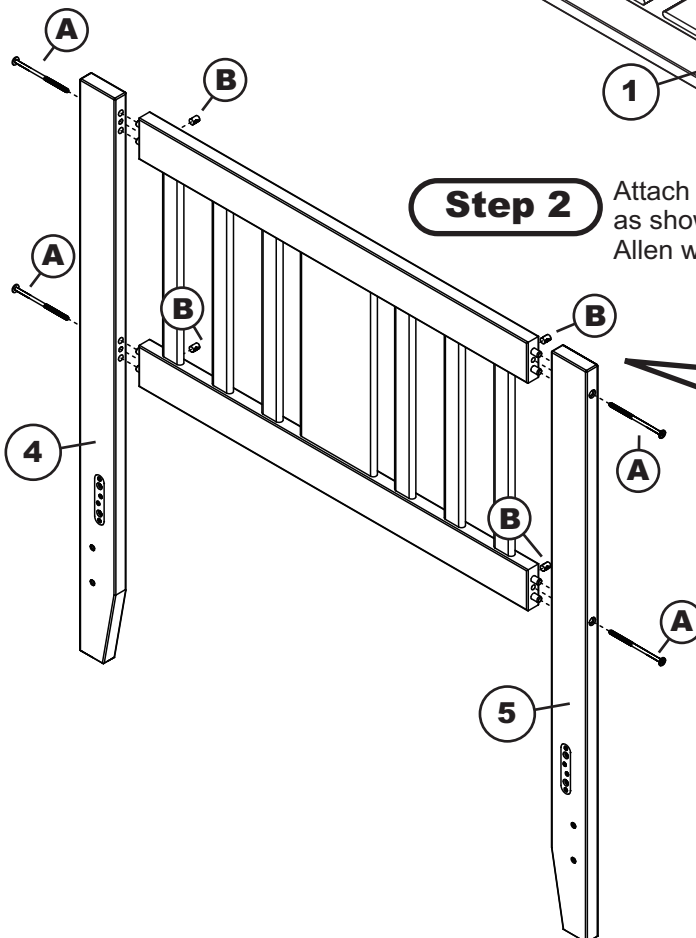
Step 1

Attach the slat (2) and wide slat (3) to the top and bottom rail (1) as shown.



Step 2

Attach the left leg (4) and right leg (5) to the rail assembly as shown. Using JCB (A) and barrel nut (B). Tighten with Allen wrench (D).



CODE

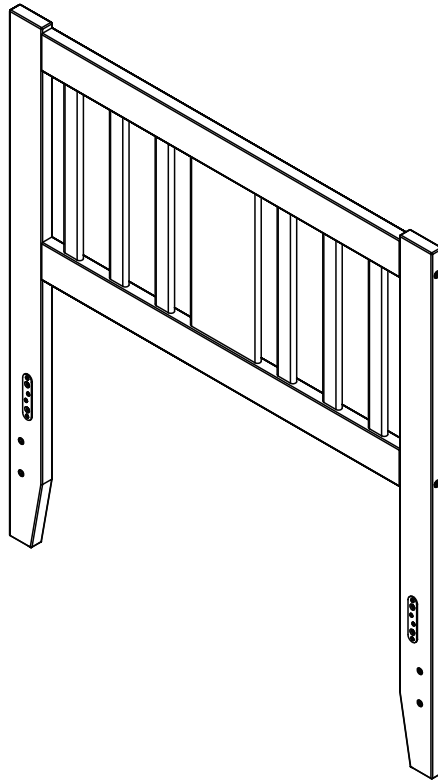
HBFB-ISL-TAH

ITEM

G-12892X

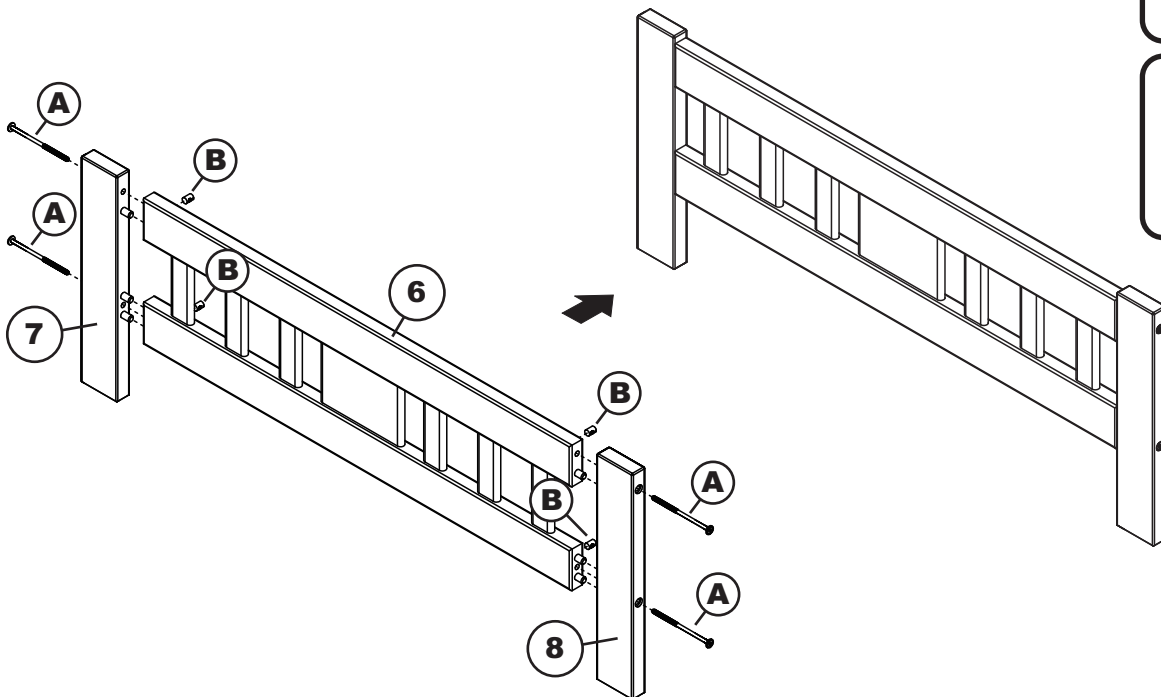
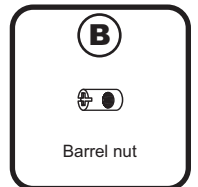
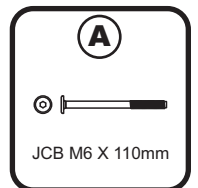
PO:

TWIN

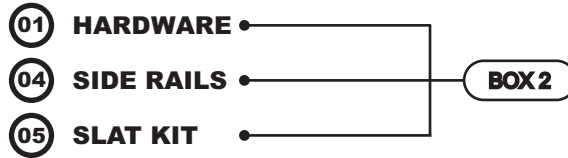
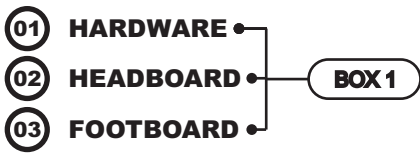


Step 3

Attach the left right leg (7)(8) to the footboard panel (6) as shown below, using JCB (A) and barrel nut (B). Tighten with Allen wrench (D).

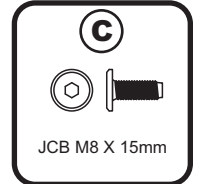
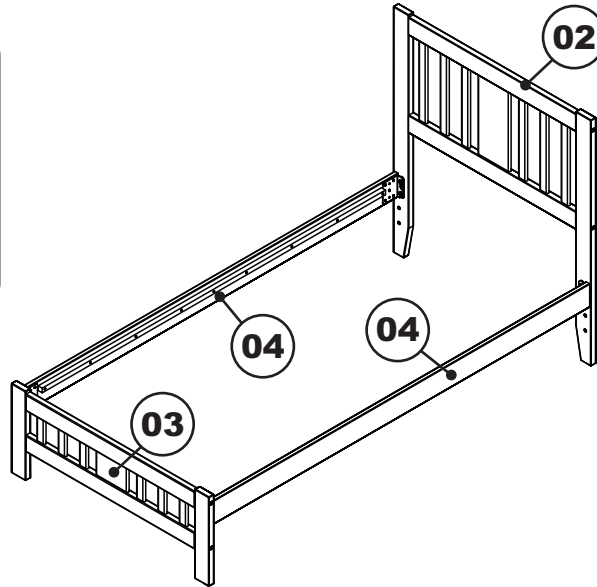
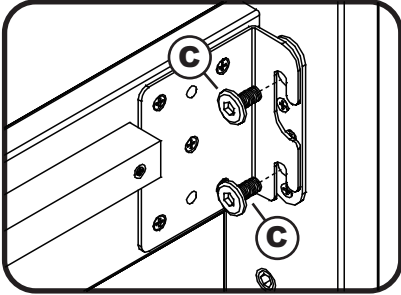


TWIN



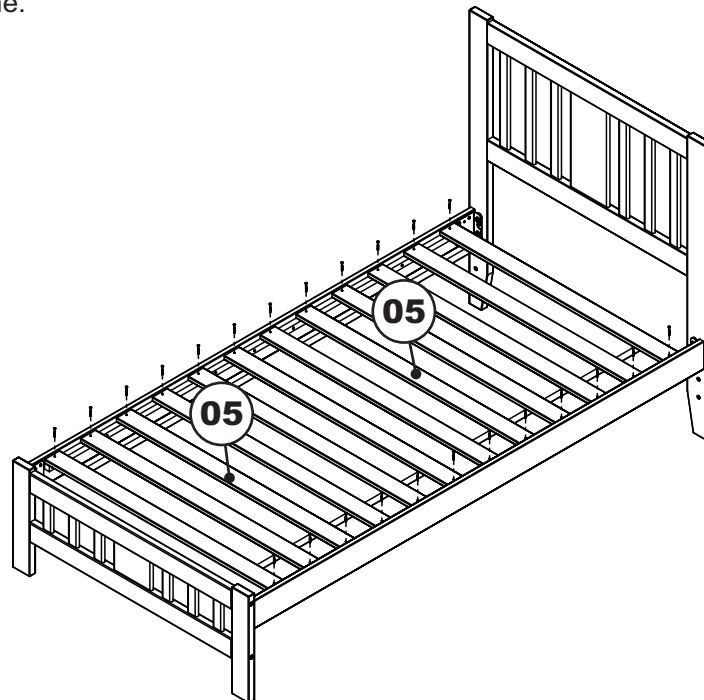
Step 1

Attach the side rails (04) to the headboard (02) and footboard (03) using JCB M8 X 15mm (C). Tighten with Allen wrench M6 (E).



Step 2

Attach slat kit (05) onto the bed using wood screws. Tighten with Phillips head screw driver. (customer supplied) For assembly of slat kit, follow the assembly instructions included with bed frame.



Congratulations!

Your bed is now ready for use.

We recommend that you periodically recheck that all screws are tight to ensure lasting safety.

TWIN ASSEMBLY INSTRUCTIONS

Before assembling your bed frame, please read through these instructions carefully and familiarize yourself with the different parts.

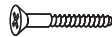


ATTENTION! If you receive a damaged or defective item, please contact afifurnishings at customerservice@afifurnishings.com or 1-800-955-3726

PARTS LIST

- ① **SIDE RAIL 2 PCS**
- ② **SLAT KIT 2 SETS**

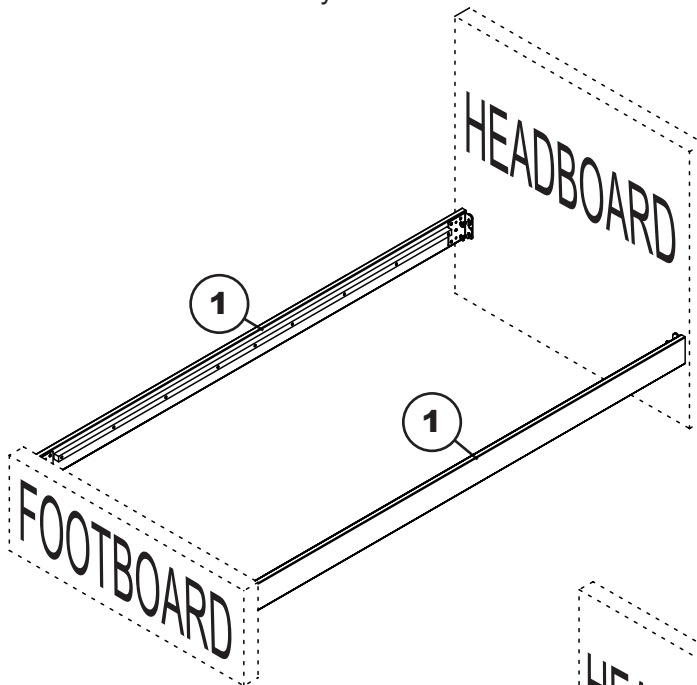
HARDWARE

- Ⓐ  Wood screw(1 1/4") - 24 pcs
Spare - 2 pcs

NOTE: WE INCLUDE SPARE HARDWARE IN CASE DAMAGE OCCURS DURING ASSEMBLY.

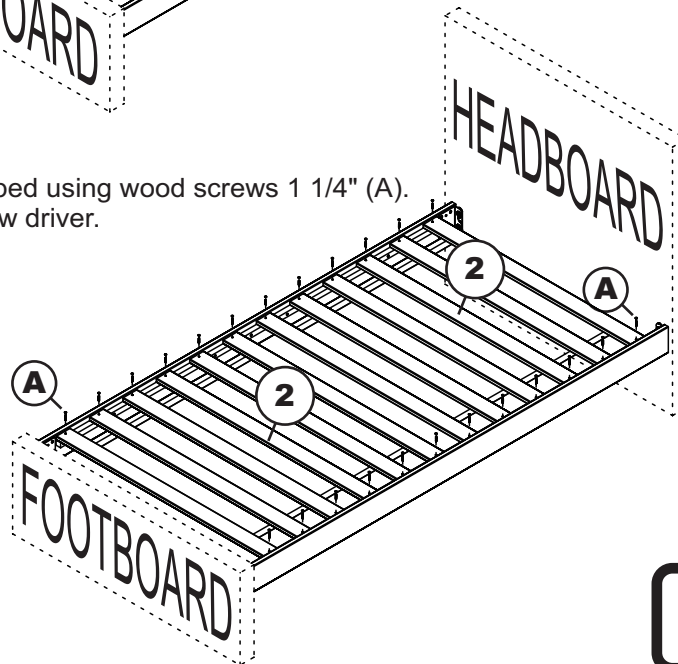
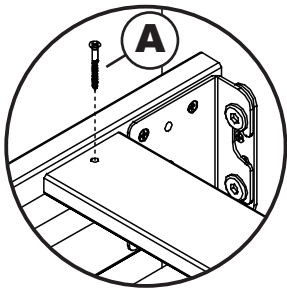
Step 1

Attach side rails (1) to the headboard and footboard. For assembly, follow the assembly instructions included with your headboard and footboard.



Step 2

Attach the slat kit (2) onto the bed using wood screws 1 1/4" (A). Tighten with Phillips head screw driver. (customer supplied)



CODE	ITEM
FR-MT-ISL	G-24802X

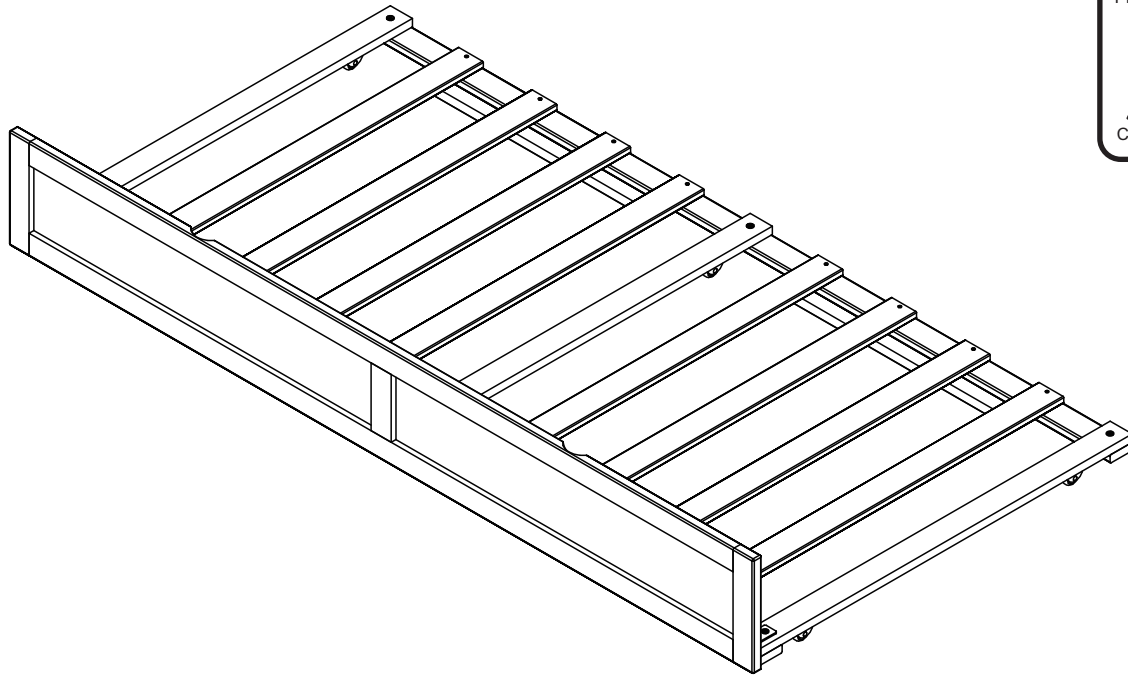
PO:

TWIN ASSEMBLY INSTRUCTIONS

Before assembling your Trundle bed, please read through these instructions carefully. Familiarize yourself with the different parts.



ATTENTION! If you receive a damaged or defective item, please contact afifurnishings at customerservice@afifurnishings.com or 1-800-955-3726

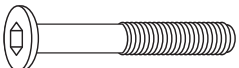


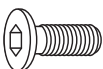
CODE	ITEM
ST-TD-ISL	G-35802X

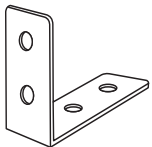
PO :

HARDWARE


NOTE: WE INCLUDE SPARE HARDWARE IN CASE DAMAGE OCCURS DURING ASSEMBLY.

A  JCB M6 X 1 5/8" (40mm) - 9 pcs
Spare - 1 pc

B  JCB M6 X 5/8" (15mm) - 6 pcs
Spare - 1 pc
Fix L bracket to front panel

C  L Bracket - 3 pcs

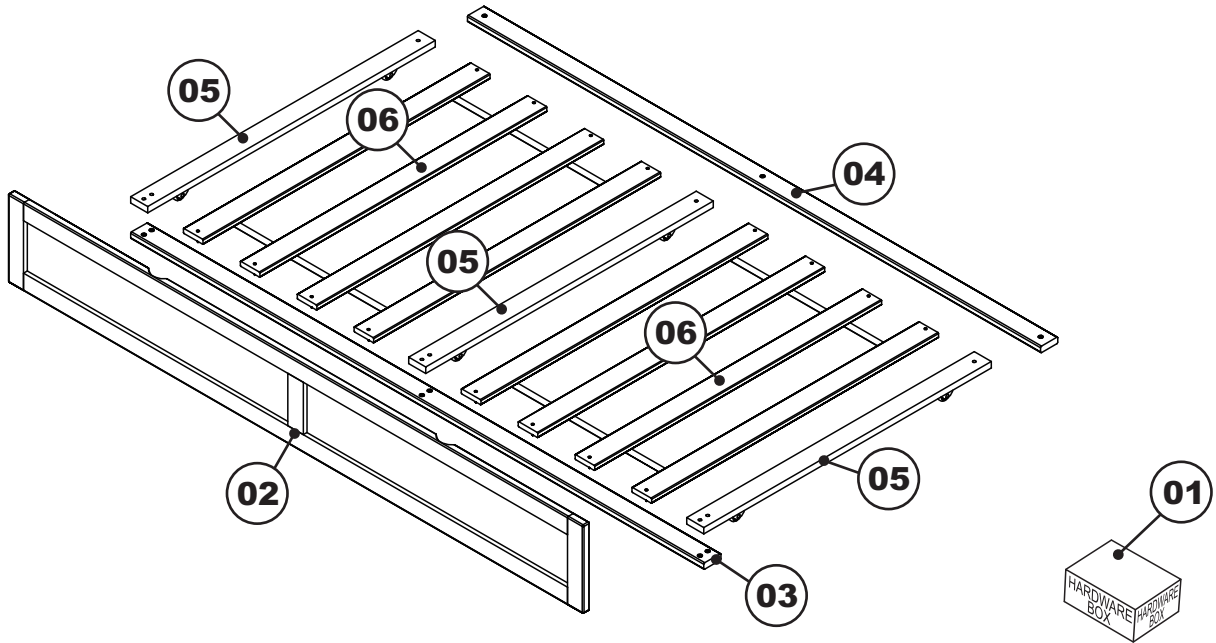
D  Wood screw - 16 pcs
Spare - 2 pcs

E  Allen wrench - 1 pc
Spare - 1 pc

TWIN

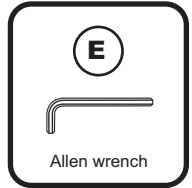
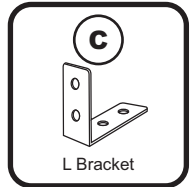
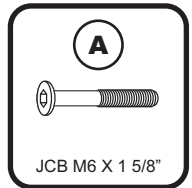
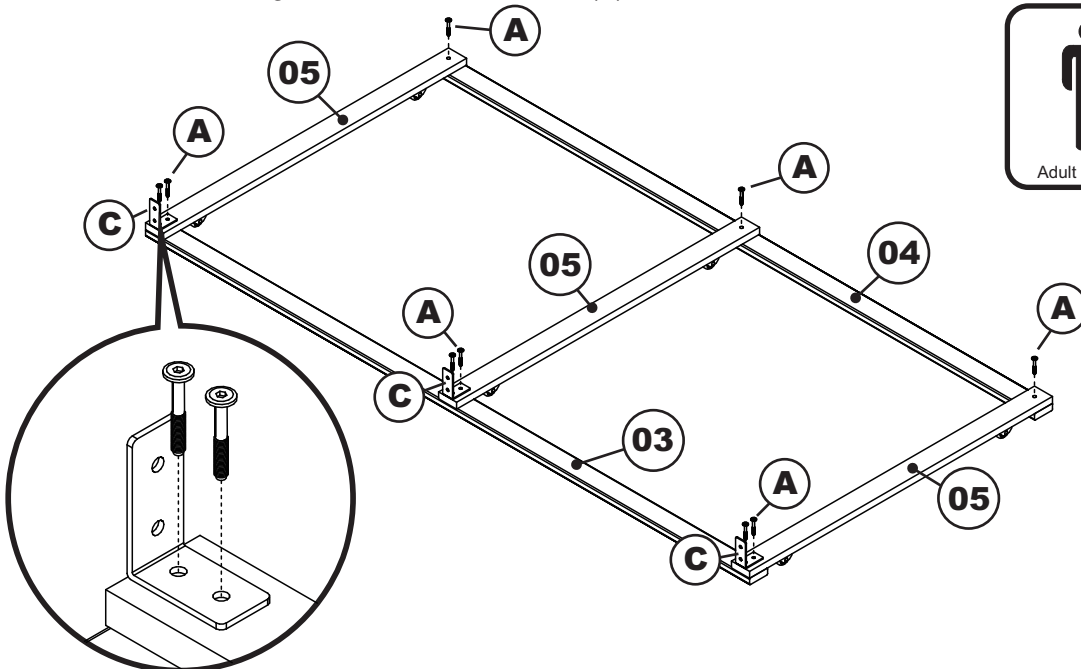
PARTS LIST

- | | | | | | |
|----|-------------|-------|----|-----------------------|--------|
| 01 | HARDWARE | 1 BOX | 05 | LEFT, RIGHT, MID RAIL | 3 PCS |
| 02 | FRONT PANEL | 1 PC | 06 | SLAT KIT WITH WEBBING | 2 SETS |
| 03 | FRONT RAIL | 1 PC | | | |
| 04 | BACK RAIL | 1 PC | | | |



Step 1

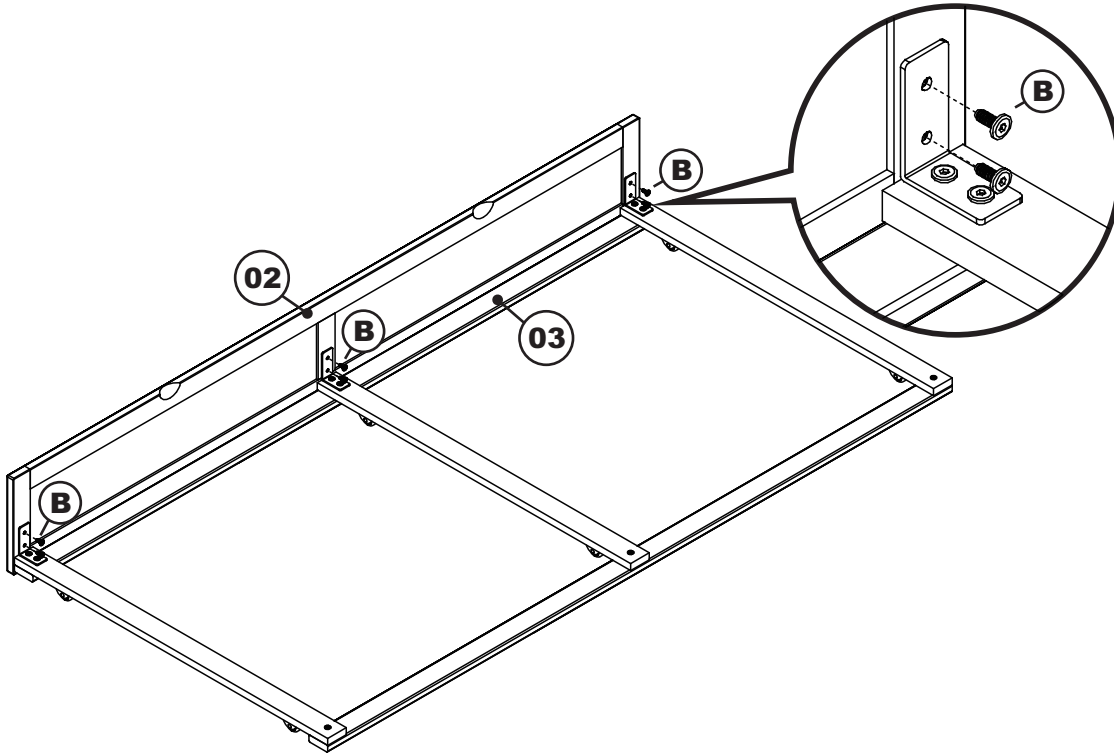
Attach the left, right and mid rails (05) to the front rail (03) using L bracket (C) and JCB M6 X 1 5/8" (A). Attach left, right and mid rails (05) to the back rail (4) using JCB M6 X 1 5/8" (A). Tighten with the Allen wrench (E).



TWIN

Step 2

Attach the front panel (02) to the front rail (03) as shown, using JCB M6 X 5/8" (B). Tighten with the Allen wrench (E).



Adult assembly

B



JCB M6 X 5/8"

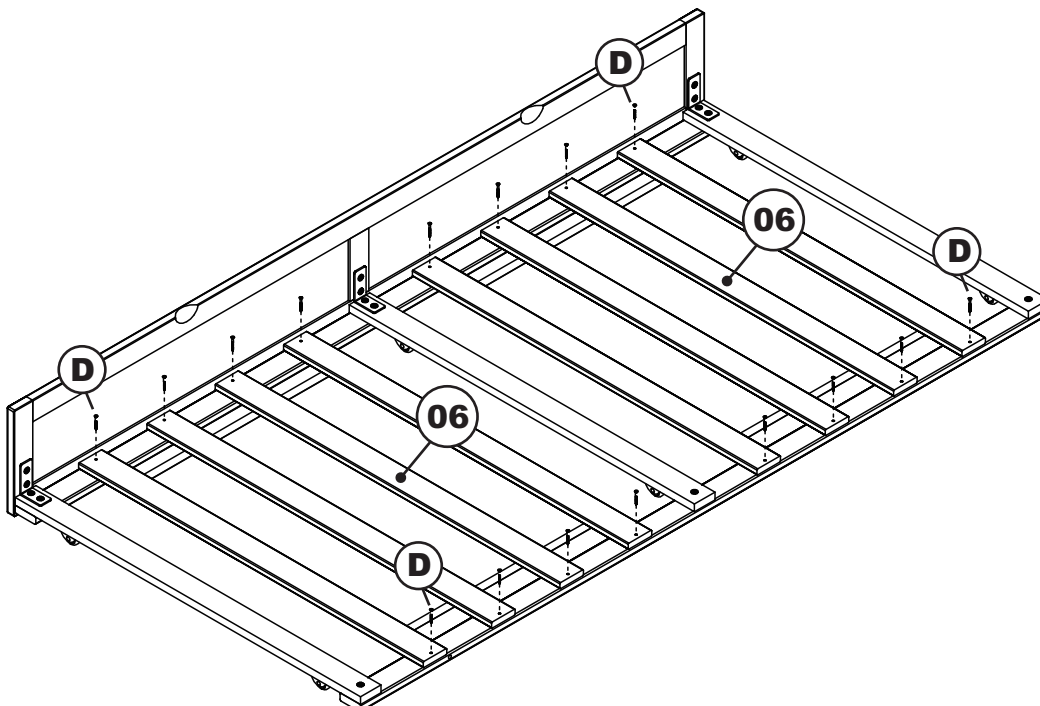
E



Allen wrench

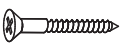
Step 3

Lay the slat kits (06) webbing side down onto the rail assembly as shown. Attach using wood screw (D) and tighten with the Phillips head screw driver. (customer supplied)



Adult assembly

D



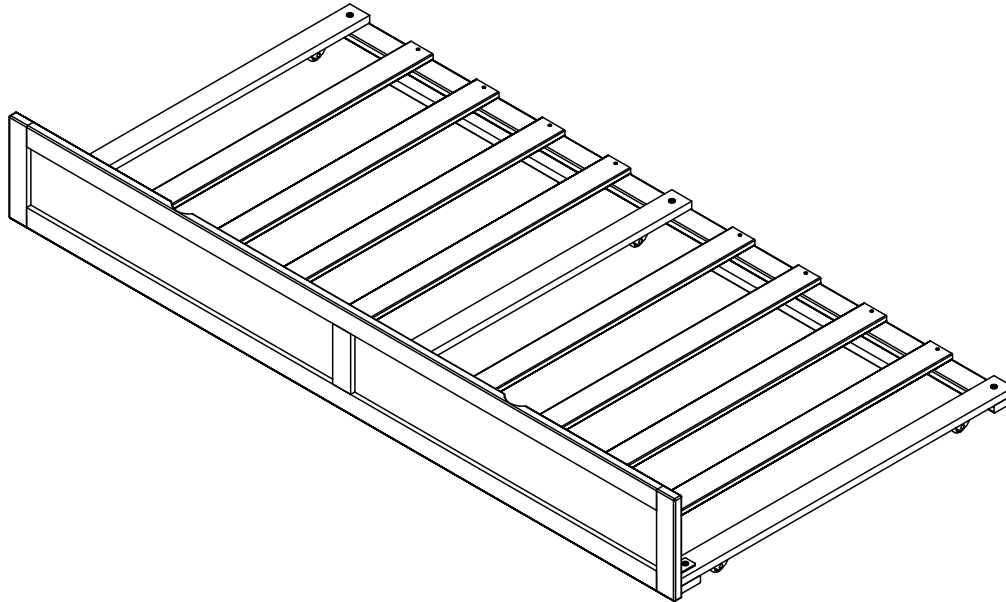
Wood screw

Phillips screwdriver



Customer supplied

TWIN



Congratulations!

Your Trundle bed is now ready for use.
We recommend that you periodically check that all screws are tight
and all parts are secure to ensure lasting safety.