

ASSEMBLY INSTRUCTIONS

Before assembling your headboard, please read through these instructions carefully and familiarize yourself with the different parts.

ATTENTION! If you receive a damaged or defective item, please contact [afifurnishings.com](mailto:customerservice@afifurnishings.com) at customerservice@afifurnishings.com or 1-800-955-3726



PARTS LIST

- ① HEADBOARD PANEL 2 PCS
- ② LEFT POST 1 PC
- ③ RIGHT POST 1 PC
- ④ HB TOP RAIL 1 PC
- ⑤ MID RAIL 1 PC
- ⑥ HB BOTTOM RAIL 1 PC
- ⑦ FOOTBOARD PANEL 1 PC
- ⑧ LEFT LEG 1 PC
- ⑨ RIGHT LEG 1 PC
- ⑩ FB TOP RAIL 1 PC
- ⑪ FB BOTTOM RAIL 1 PC

Instructions apply for bed sizes
FULL > QUEEN

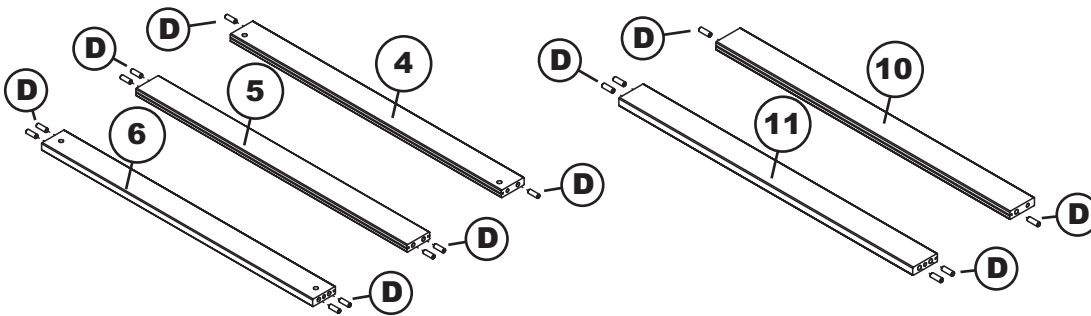
HARDWARE

- ① JCB M6 X 110mm - 8 pcs
Spare - 1 pc
- ② Barrel Nut - 8 pcs
Spare - 1 pc
- ③ JCB M8 X 15mm (5/8") - 8 pcs
Assembly headboard and footboard to side rails
- ④ Wood Dowel - 16 pcs
Spare - 1 pc
- ⑤ Allen wrench - 1pc
Spare - 1pc
- ⑥ Allen wrench M6 - 1pc

NOTE: WE INCLUDE SPARE HARDWARE IN CASE DAMAGE OCCURS DURING ASSEMBLY.

Step 1

Insert all wooden dowels (D) into the locator holes on (4)(5)(6)(10) and(11) as shown below.



Adult assembly

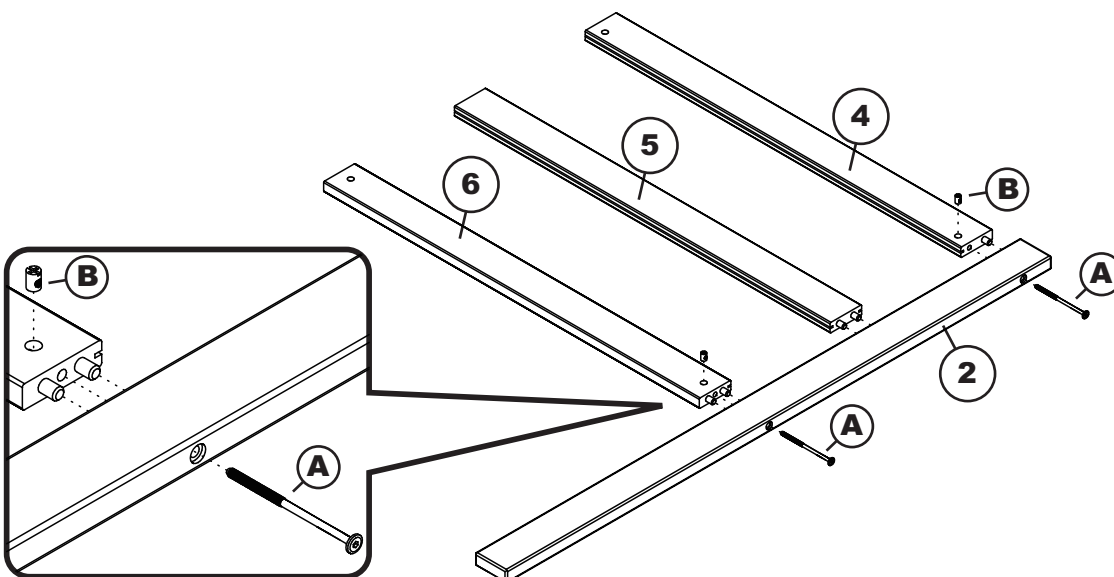
④



Wood Dowel

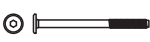
Step 2

Lay the left post (2) bracket face down on smooth surface. Connect HB top rail (4), mid rail (5) and HB bottom rail (6) as shown below, using JCB M6 X 110mm (A) and barrel nut (B). Tighten with the Allen wrench (E).



Adult assembly

①



JCB M6 X 110mm

②



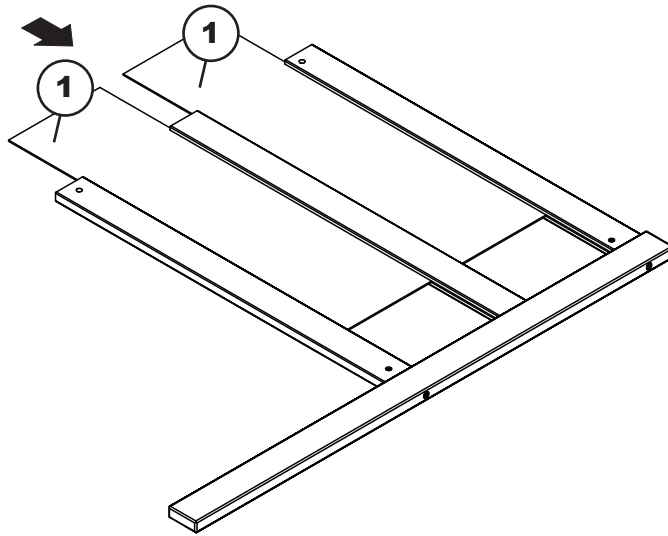
Barrel Nut

PO:

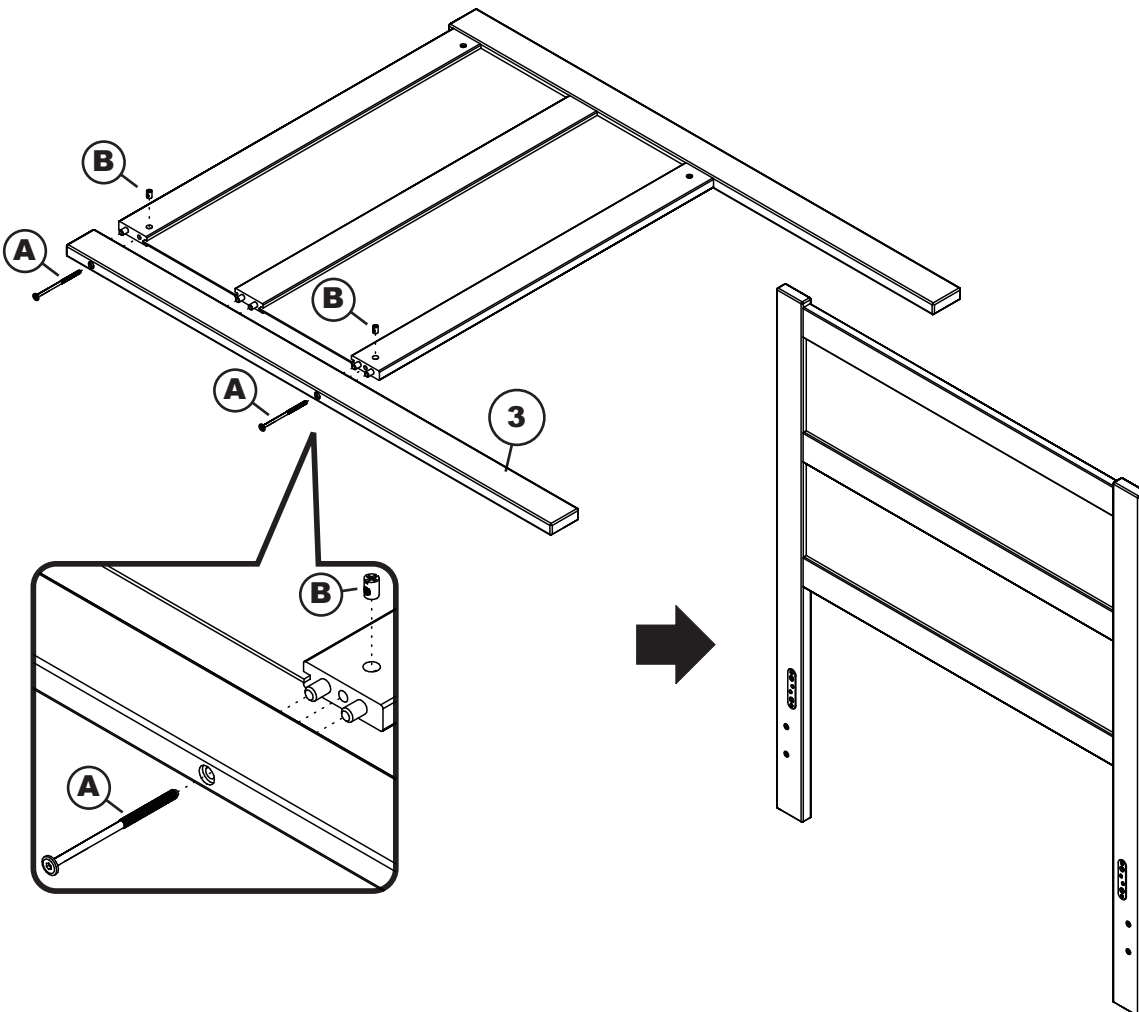
CODE	ITEM	ITEM
HBFB-ISL-NOHO	G-12913X	G-12914X

Step 3

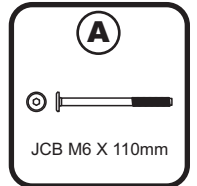
Guide the headboard panel (1) in carefully so that it won't jump out of its grooves. Be sure it fits fully into the groove at the end (in the post) before fitting the other post

**Step 4**

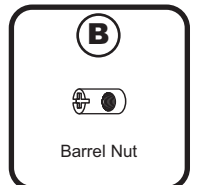
Attach the right post (3) to headboard assembly as shown below, using JCB M6 X 110mm (A) and barrel nut (B). Tighten with Allen wrench (E)



Adult assembly



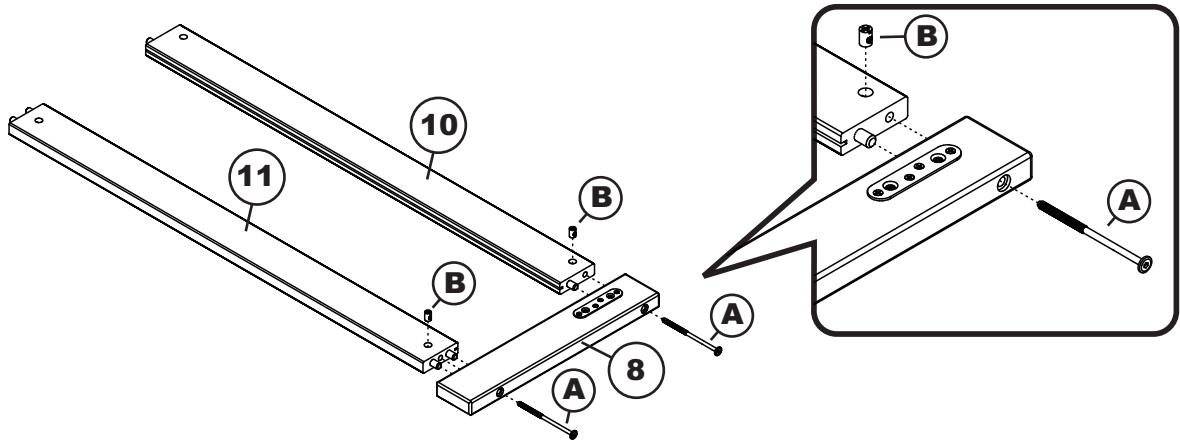
JCB M6 X 110mm



Barrel Nut

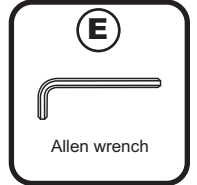
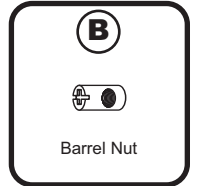
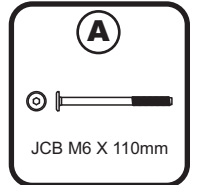
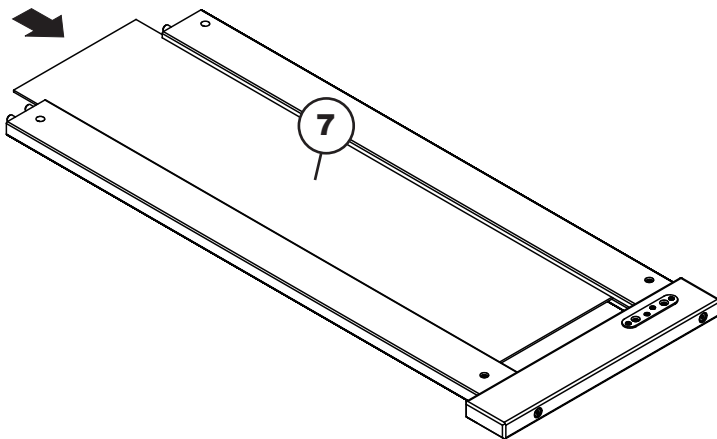
Step 5

Lay the left leg (8) bracket face up on smooth surface. Connect FB top rail (10) and FB bottom rail (11) as shown below, using JCB M6 X 110mm (A) and barrel nut (B). Tighten with the Allen wrench (E).



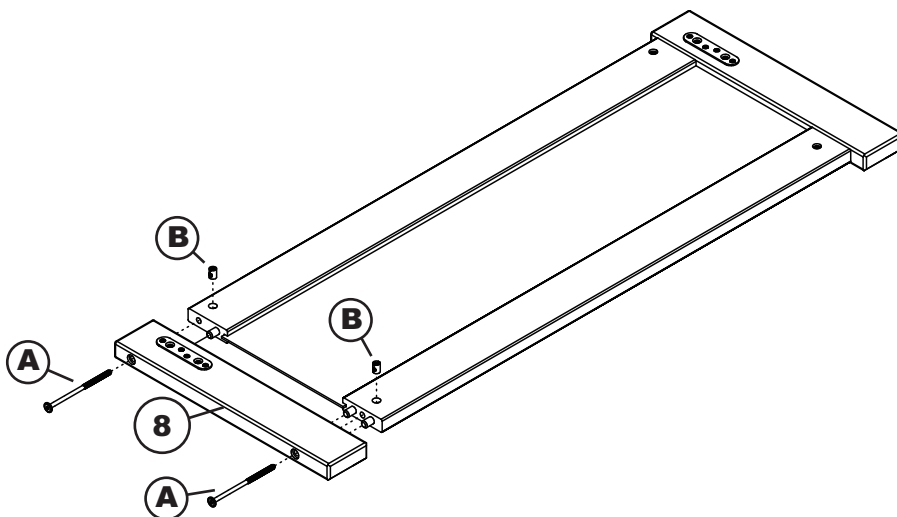
Step 6

Guide the footboard panel (7) in carefully so that it won't jump out of its grooves. Be sure it fits fully into the groove at the end (in the leg) before fitting the other leg.



Step 7

Attach the right leg (9) to footboard assembly as shown below, using JCB M6 X 110mm (A) and barrel nut (B). Tighten with Allen wrench (E)

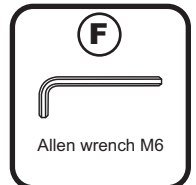
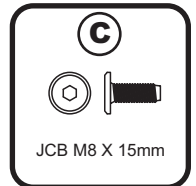
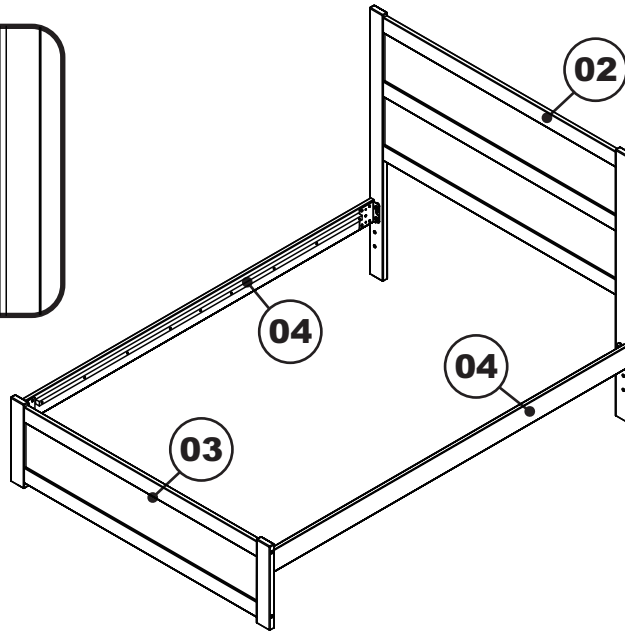
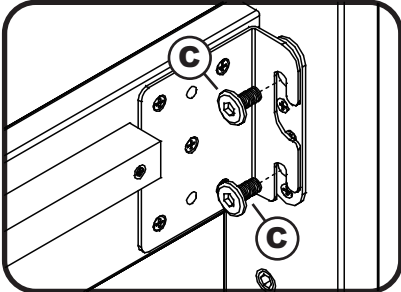


- 01 HARDWARE
 - 02 HEADBOARD
 - 03 FOOTBOARD
- BOX 1

- 01 HARDWARE
 - 04 SIDE RAILS
 - 05 SLAT KIT
- BOX 2

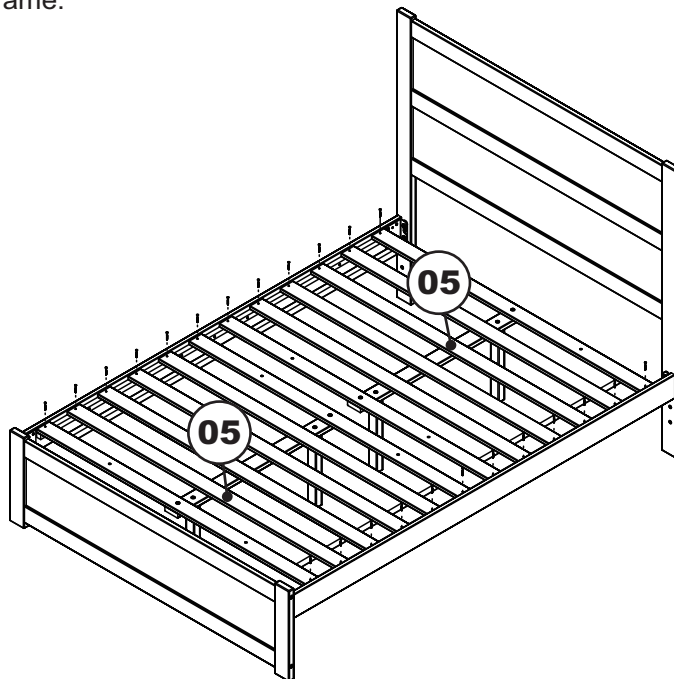
Step 1

Attach the side rails (04) to the headboard (02) and footboard (03) using JCB M8 X 15mm (C). Tighten with Allen wrench M6 (F).



Step 2

Attach slat kit (05) onto the bed using wood screws. Tighten with Phillips head screw driver. (customer supplied) For assembly of slat kit, follow the assembly instructions included with bed frame.



Congratulations!

Your bed is now ready for use.

We recommend that you periodically recheck that all screws are tight to ensure lasting safety.

QUEEN ASSEMBLY INSTRUCTIONS

Before assembling your bed frame, please read through these instructions carefully and familiarize yourself with the different parts.



ATTENTION! If you receive a damaged or defective item, please contact [afifurnishings.com](mailto:customerservice@afifurnishings.com) at customerservice@afifurnishings.com or 1-800-955-3726

PARTS LIST

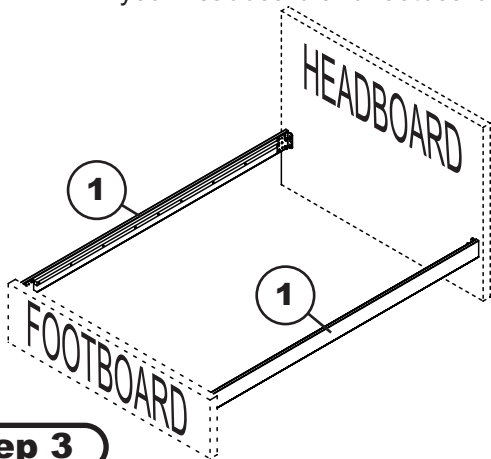
- | | | |
|---|-------------------------|---------------|
| 1 | SIDE RAIL | 2 PCS |
| 2 | SLAT KIT | 2 SETS |
| 3 | SLAT SUPPORT | 2 PCS |
| 4 | SLAT SUPPORT LEG | 4 PCS |

- | | | | | | |
|----------|--|----------|--------------------------------------|-----------------|-------------------------------------|
| A | Wood screw (1 1/4") - 12 pcs
Spare - 1 pc | D | JCB M8 X 40mm - 4 pcs | HARDWARE | |
| B | JCB M6 X 30mm - 6 pcs | E | Split washer - 4 pcs
Spare - 1 pc | F | Flat washer - 4 pcs
Spare - 1 pc |
| C | Cap nut - 6 pcs | | | | |

NOTE: WE INCLUDE SPARE HARDWARE IN CASE DAMAGE OCCURS DURING ASSEMBLY.

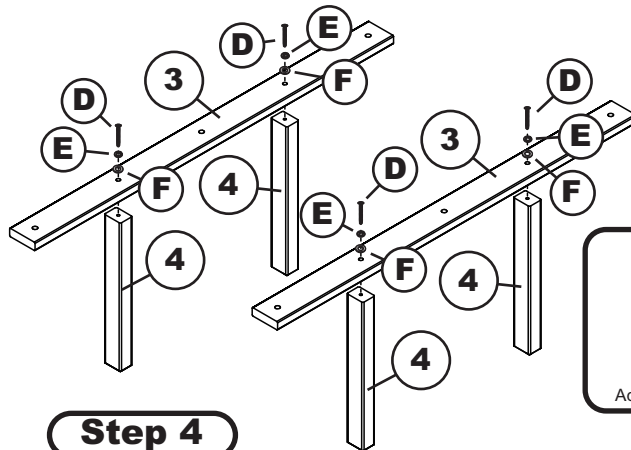
Step 1

Attach side rails (1) to the headboard and footboard. For assembly, follow the assembly instructions included with your headboard and footboard.



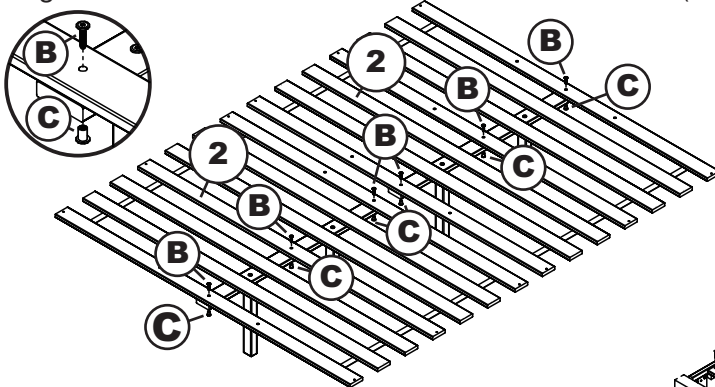
Step 2

Attach slat support legs (4) to slat support (3) as shown below using JCB M8 X 40mm (D) split and flat washer (E)(F) tighten with Allen wrench M6.



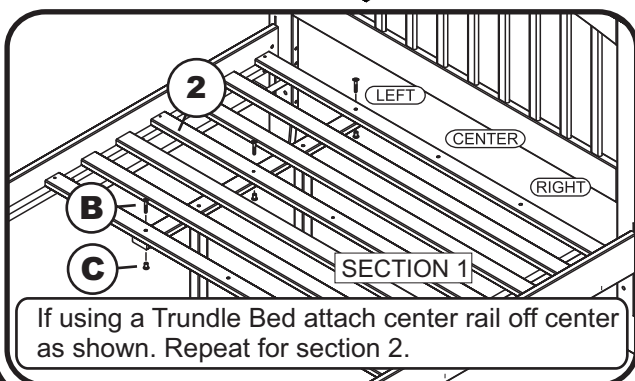
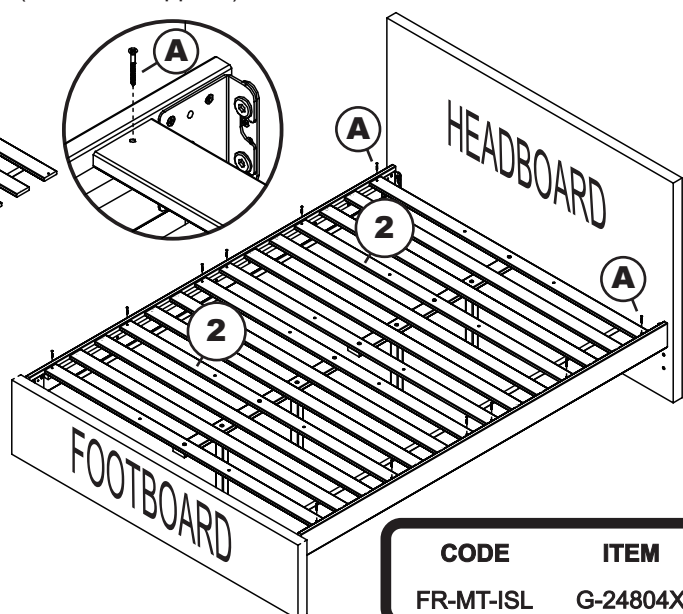
Step 3

Attach slat support (3) to the slat kit (2) as shown below using JCB M6 X 30mm (B) and cap nut (C). Tighten with Allen wrench M4.



Step 4

Attach the slat kit (2) onto the bed using wood screws 1 1/4" (A). Tighten with Phillips head screw driver. (customer supplied)



If using a Trundle Bed attach center rail off center as shown. Repeat for section 2.

CODE	ITEM
FR-MT-ISL	G-24804X

PO:

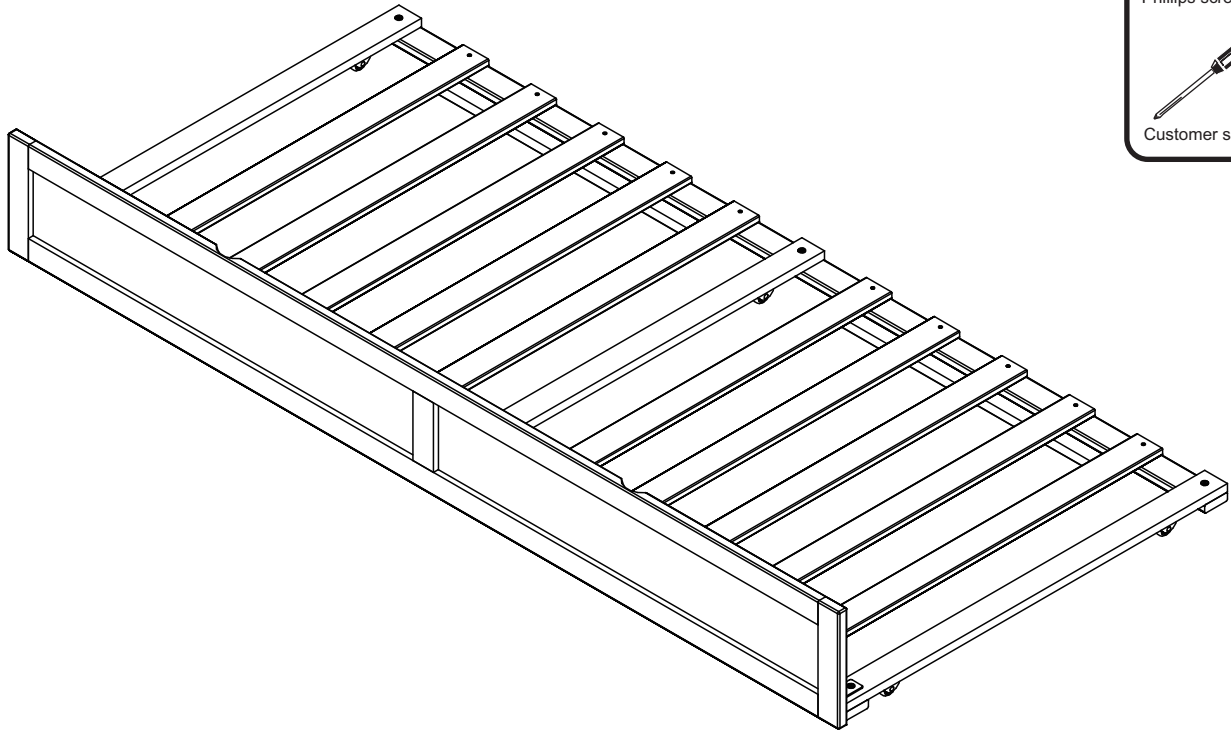
TWIN XL

ASSEMBLY INSTRUCTIONS

Before assembling your Trundle bed, please read through these instructions carefully. Familiarize yourself with the different parts.



ATTENTION! If you receive a damaged or defective item, please contact afifurnishings at customerservice@afifurnishings.com or 1-800-955-3726

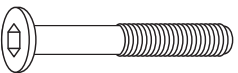


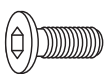
CODE	ITEM
ST-TD-ISL	G-35801X

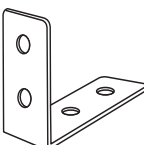
PO :

HARDWARE

NOTE: WE INCLUDE SPARE HARDWARE IN CASE DAMAGE OCCURS DURING ASSEMBLY.

A  JCB M6 X 1 5/8" (40mm) - 9 pcs
Spare - 1 pc

B  JCB M6 X 5/8" (15mm) - 6 pcs
Spare - 1 pc
Fix L bracket to front panel

C  L Bracket - 3 pcs

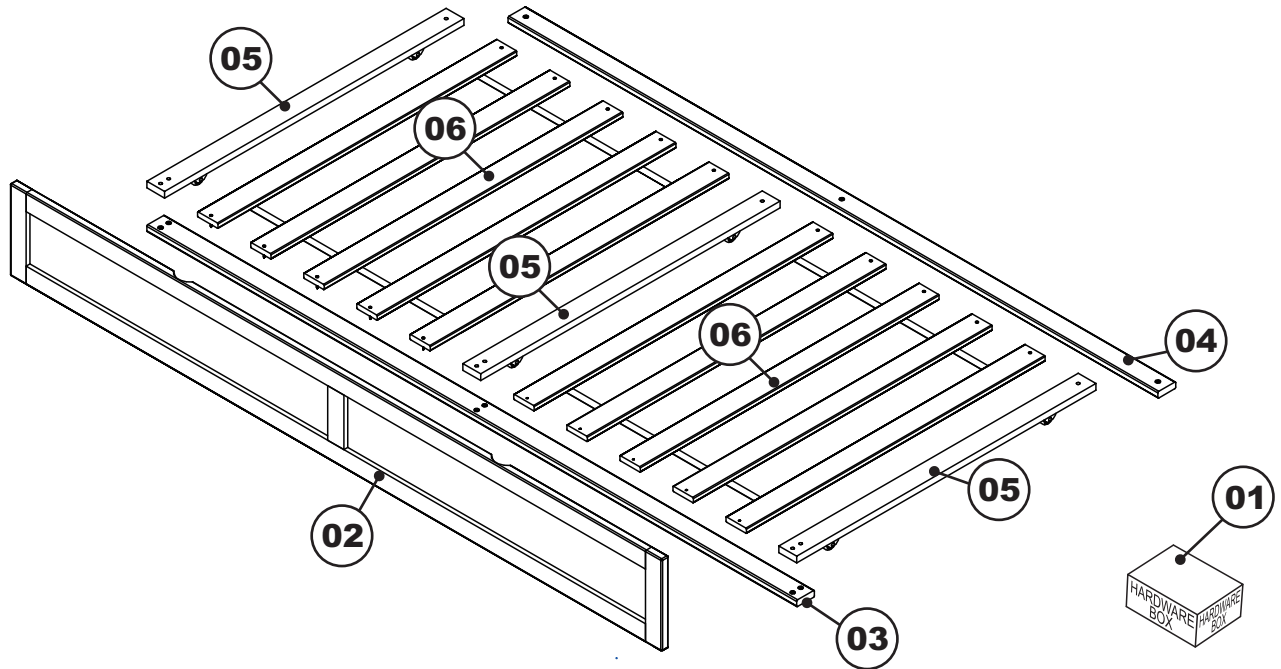
D  Wood screw - 20 pcs
Spare - 2 pcs

E  Allen wrench - 1 pc
Spare - 1 pc

TWIN XL

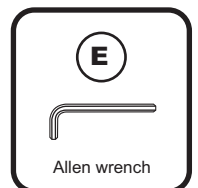
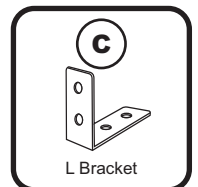
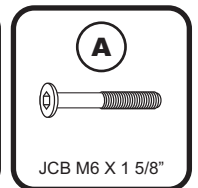
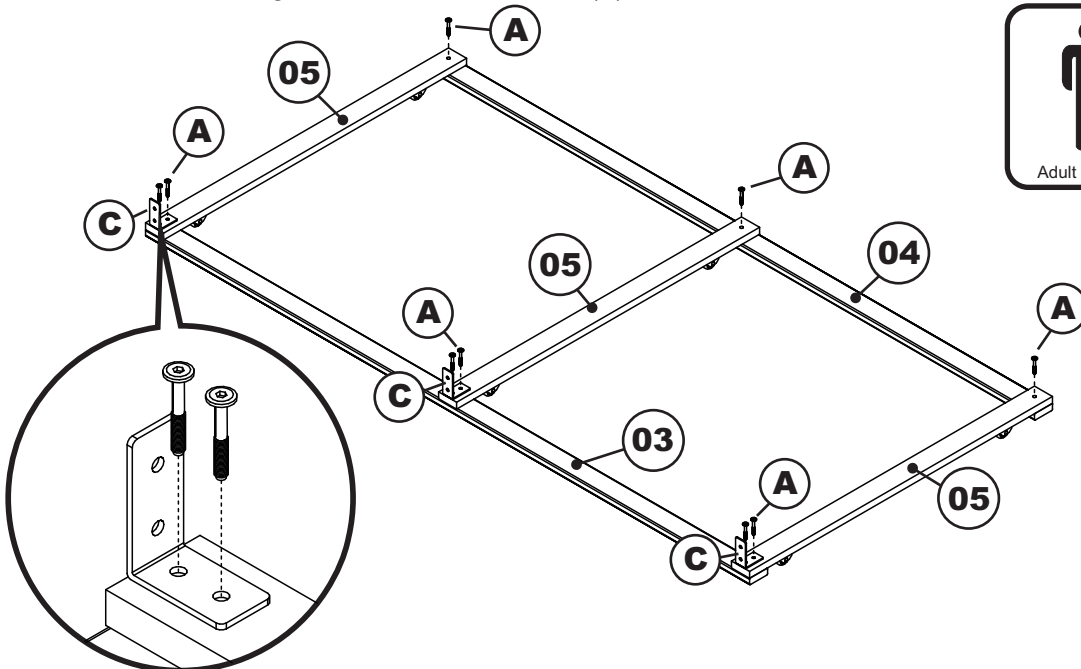
PARTS LIST

- | | | | | | |
|----|-------------|-------|----|-----------------------|--------|
| 01 | HARDWARE | 1 BOX | 05 | LEFT, RIGHT, MID RAIL | 3 PCS |
| 02 | FRONT PANEL | 1 PC | 06 | SLAT KIT WITH WEBBING | 2 SETS |
| 03 | FRONT RAIL | 1 PC | | | |
| 04 | BACK RAIL | 1 PC | | | |



Step 1

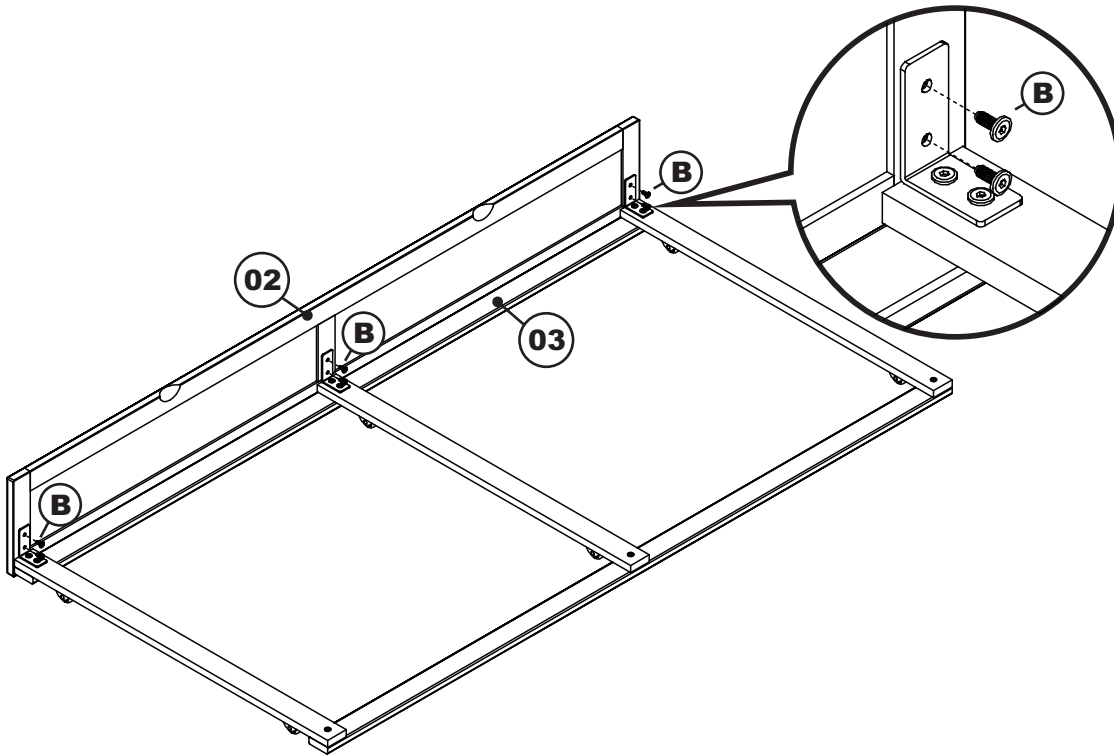
Attach the left, right and mid rails (05) to the front rail (03) using L bracket (C) and JCB M6 X 1 5/8" (A). Attach left, right and mid rails (05) to the back rail (04) using JCB M6 X 1 5/8" (A). Tighten with the Allen wrench (E).



TWIN XL

Step 2

Attach the front panel (02) to the front rail (03) as shown, using JCB M6 X 5/8" (B). Tighten with the Allen wrench (E).



B

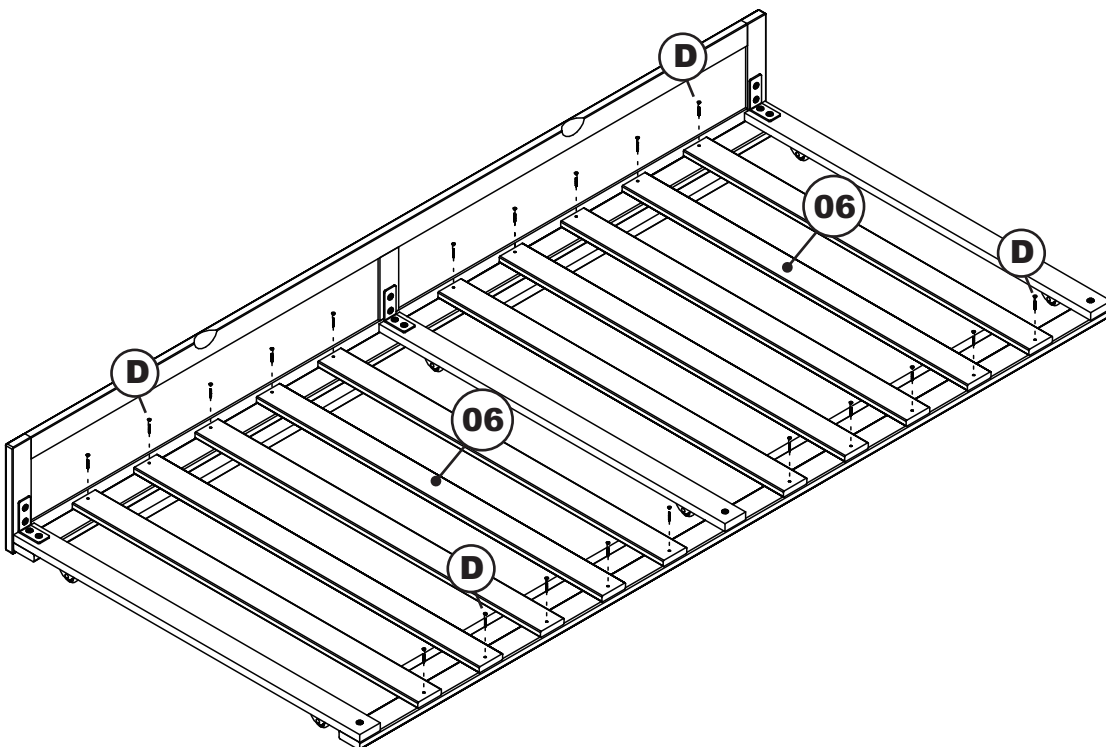


E

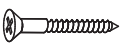


Step 3

Lay the slat kits (06) webbing side down onto the rail assembly as shown. Attach using wood screw (D) and tighten with the Phillips head screw driver. (customer supplied)



D



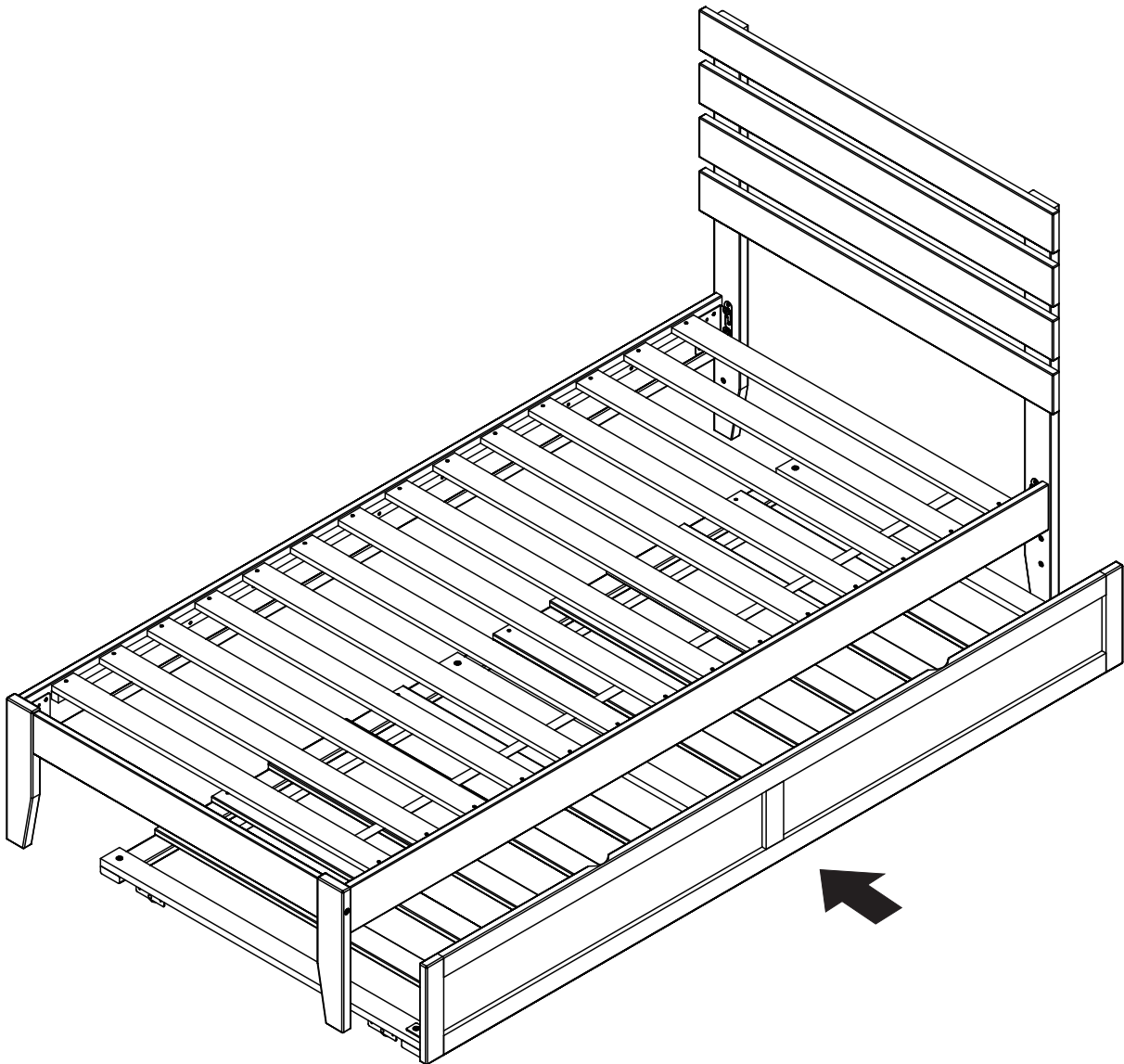
Phillips screwdriver



TWIN XL

Step 4

Lastly, Insert Trundle bed to the bed as shown below.



Congratulations!

Your Trundle bed is now ready for use.
We recommend that you periodically check that all screws are tight
and all parts are secure to ensure lasting safety.