

ASSEMBLY INSTRUCTIONS

Before assembling your headboard, please read through these instructions carefully and familiarize yourself with the different parts.

ATTENTION! If you receive a damaged or defective item, please contact afifurnishings at customerservice@afifurnishings.com or 1-800-955-3726



PARTS LIST

- ① LEFT POST 1 PC
- ② RIGHT POST 1 PC
- ③ TOP RAIL 1 PC
- ④ MID RAIL 1 PC
- ⑥ BOTTOM RAIL 1 PC

Instructions apply for bed sizes
TWIN > FULL > QUEEN

HARDWARE

- ⓐ JCB M6 X 110mm - 4 pcs
Spare - 1 pc
- ⓑ Barrel Nut - 4 pcs
Spare - 1 pc
- ⓒ JCB M8 X 15mm (5/8") - 4 pcs
Assembly headboard to open bed frame
- ⓓ Wood Dowel - 10 pcs
Spare - 1 pc
- ⓔ Allen wrench - 1pc
Spare - 1pc

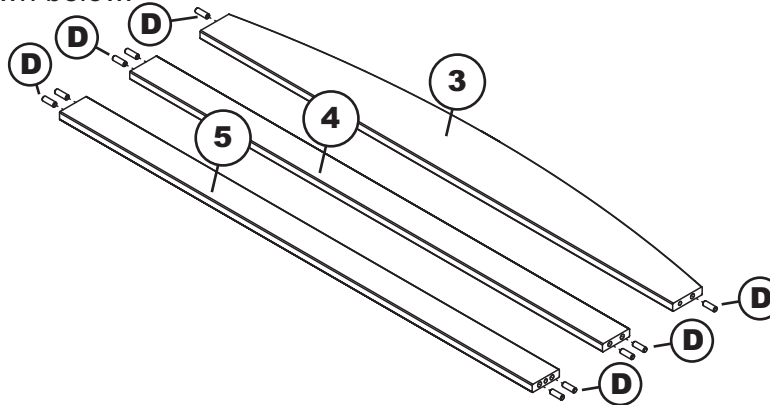
HARDWARE FOR METAL BED FRAME

- ⓕ JCB M6 X 25mm (1") - 4 pcs
Spare - 1 pc
- ⓖ Flat washer - 4 pcs
Spare - 1 pc
- ⓗ Split washer - 4 pcs
Spare - 1 pc

NOTE: WE INCLUDE SPARE HARDWARE IN CASE DAMAGE OCCURS DURING ASSEMBLY.

Step 1

Insert all wooden dowels (D) into the locator holes on (3)(4) and(5) as shown below.



Adult assembly

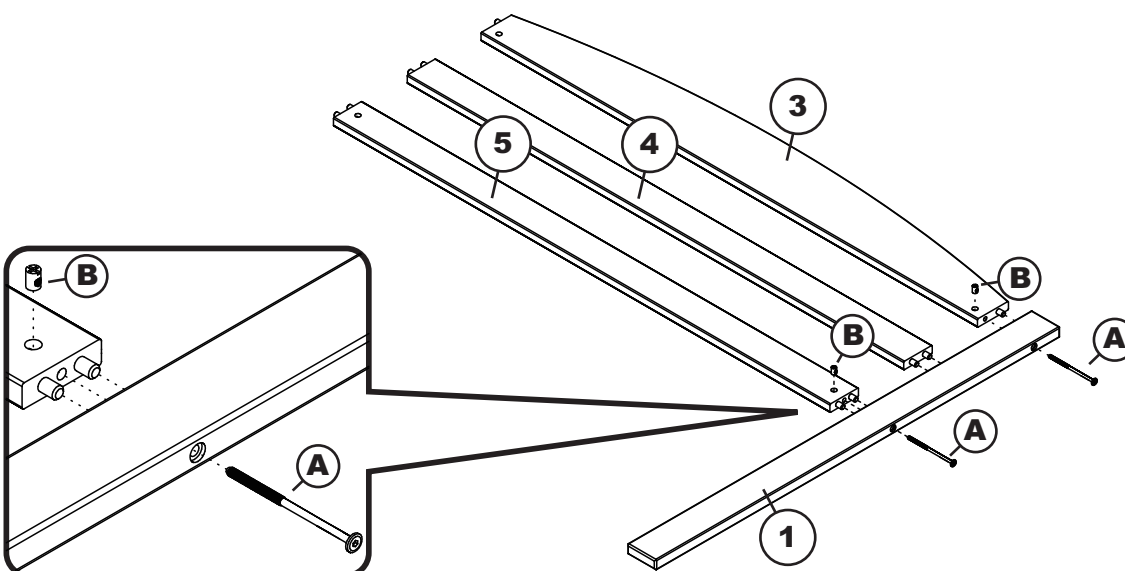
ⓓ



Wood Dowel

Step 2

Lay the left post (1) bracket face down on smooth surface. Connect top rail (3), mid rail (4) and bottom rail (5) as shown below, using JCB M6 X 110mm (A) and barrel nut (B). Tighten with the Allen wrench (E).



Adult assembly

ⓐ



JCB M6 X 110mm

ⓑ



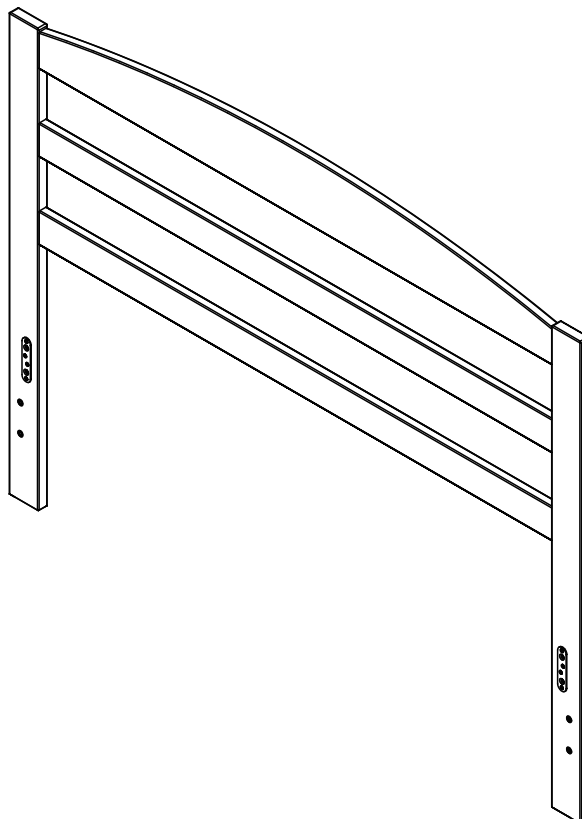
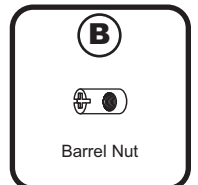
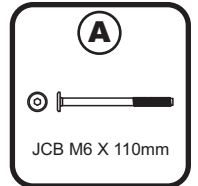
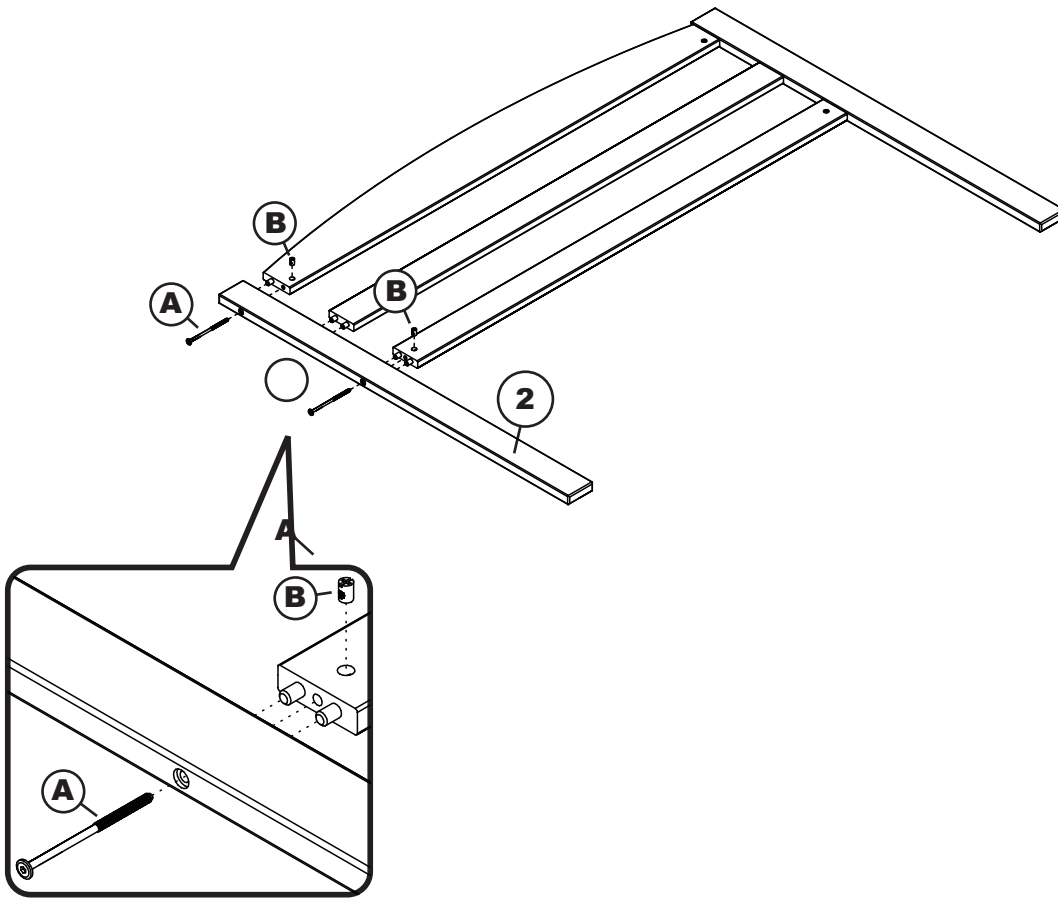
Barrel Nut

PO:

CODE	ITEM	ITEM	ITEM
HB-ISL-WRN	G-11902X	G-11903X	G-11904X

Step 3

Attach the right post (2) to headboard assembly as shown below, using JCB M6 X 110mm (A) and barrel nut (B). Tighten with Allen wrench (E)



FOR BED FRAME ASSEMBLY follow assembly instructions included with your bed frame.
If you purchased a wood headboard to attach to metal bed frame, please refer to page 3.

TWIN > TWIN XL

ASSEMBLY INSTRUCTIONS

Before assembling your bed frame, please read through these instructions carefully and familiarize yourself with the different parts.

ATTENTION! If you receive a damaged or defective item, please contact [afifurnishings.com](mailto:customerservice@afifurnishings.com) at customerservice@afifurnishings.com or 1-800-955-3726



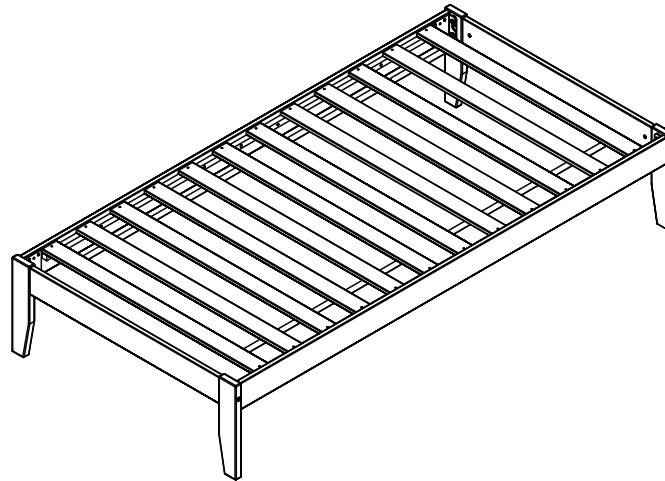
PARTS LIST

- ① RIGHT LEG 2 PCS
- ② LEFT LEG 2 PCS
- ③ FOOT / HEAD RAIL 2 PCS
- ④ SIDE RAIL 2 PCS
- ⑤ SLAT KIT 2 SETS

HARDWARE

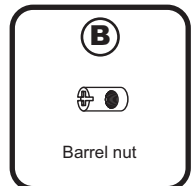
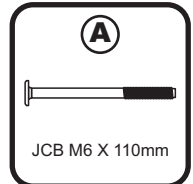
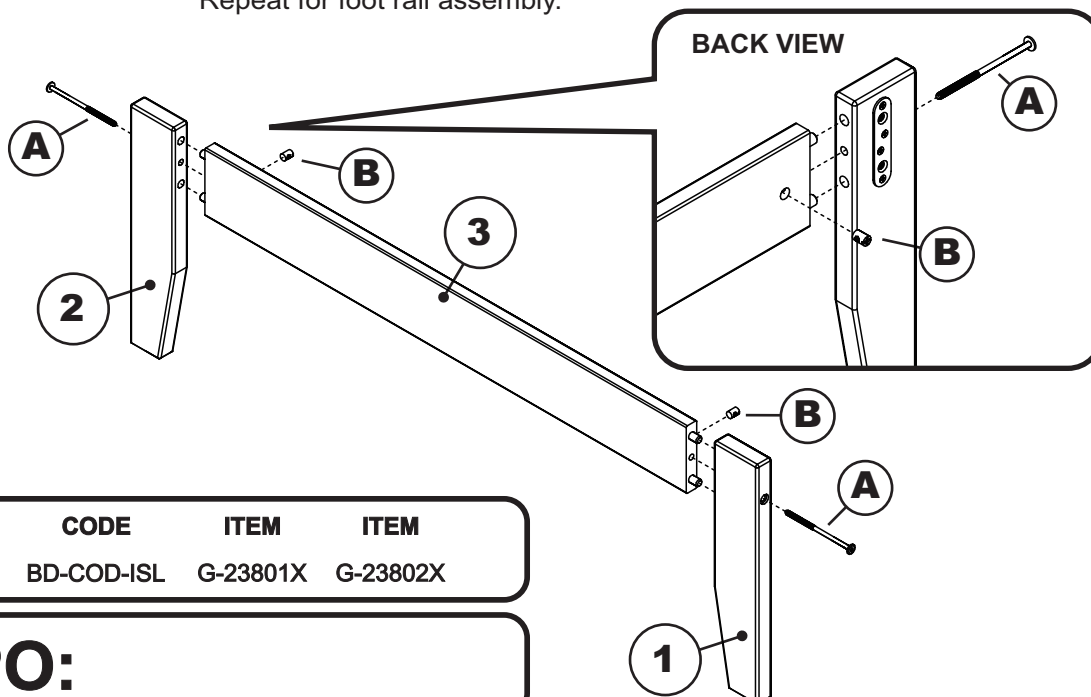
- Ⓐ JCB M6 X 110mm (4 3/8") - 4 pcs
Spare - 1 pc
- Ⓑ Barrel nut - 4 pcs
- Ⓒ JCB M8 X 15mm (5/8") - 8 pcs
- Ⓓ Wood screw (1 1/4") - 24 pcs
Spare - 2 pcs
- Ⓔ Allen wrench M4 - 1pc
Spare - 1pc
- Ⓕ Allen wrench M6 - 1pc
- Ⓖ Surface Mount Charger - 1 set
Screws 1/2" - 2 pcs
Spare - 1 pc

NOTE: WE INCLUDE SPARE HARDWARE IN CASE DAMAGE OCCURS DURING ASSEMBLY.



Step 1

Attach the right leg (1) and left leg (2) to the head rail (3) using JCB M6 X 110mm (A) and barrel nut (B). Tighten with the Allen wrench M4 (F). Repeat for foot rail assembly.

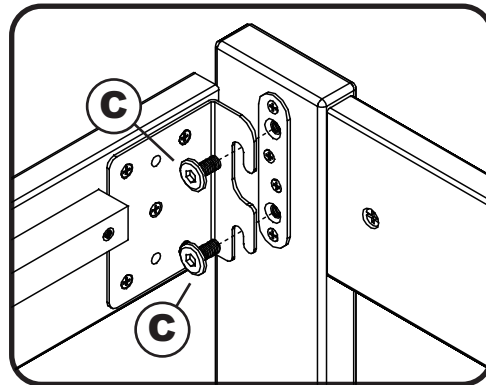
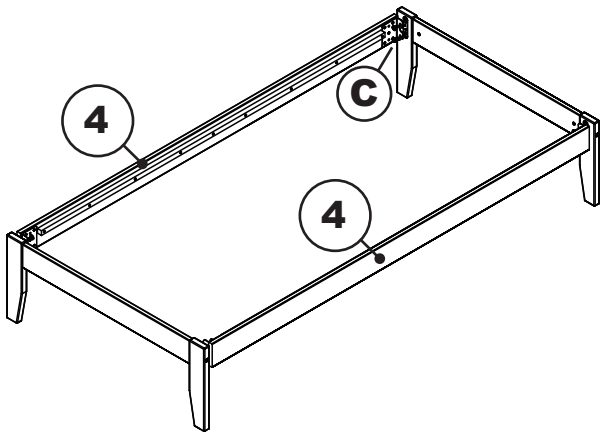


CODE	ITEM	ITEM
BD-COD-ISL	G-23801X	G-23802X

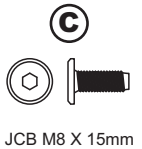
PO:

Step 2

Attach the foot rail or head rail to side rails (4) using JCB M8 X 15mm (C). Tighten with the Allen wrench M6 (E).



Adult assembly

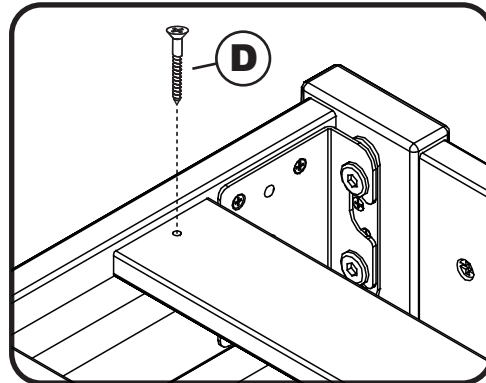
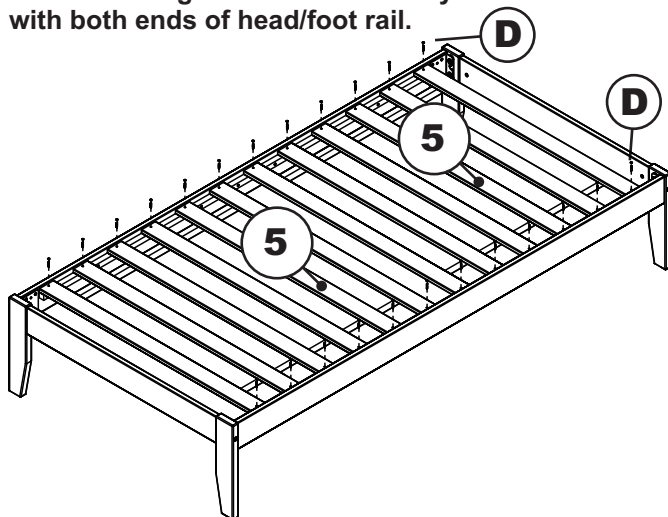


JCB M8 X 15mm

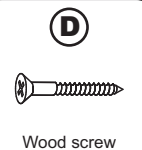
Step 3

Attach slat kit (5) to the bed frame as shown below using wood screws 1 1/4" (D). Tighten with Phillips head screw driver. (customer supplied)

Be sure to align slat section evenly with both ends of head/foot rail.



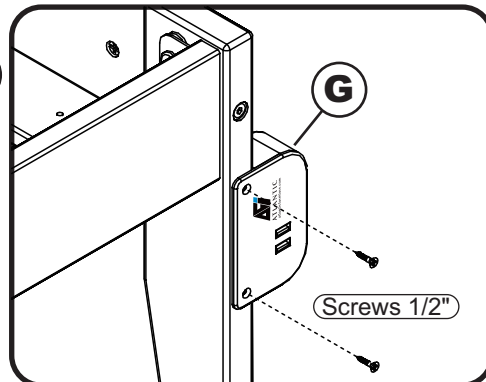
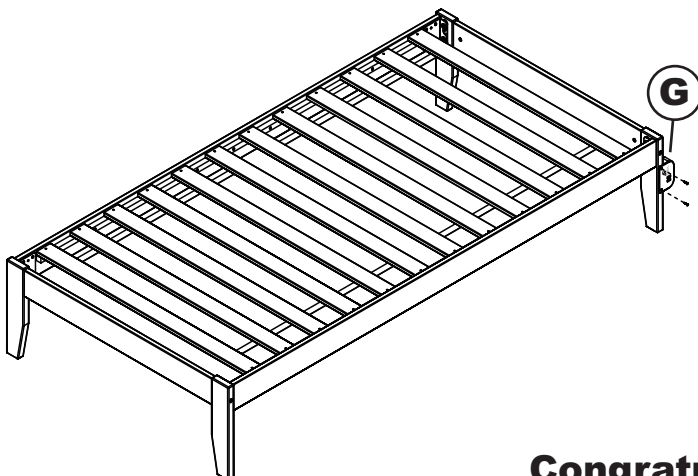
Adult assembly



Wood screw

Step 4

Attach the USB charger (G) to the location as shown below using 1/2" screws and tighten with Phillips head screw driver. (customer supplied)



Adult assembly

Screws 1/2"

Congratulations!

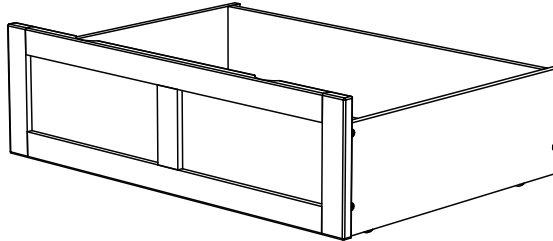
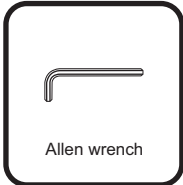
Your bed is now ready for use.

We recommend that you periodically recheck that all screws are tight to ensure lasting safety.

TWIN ASSEMBLY INSTRUCTIONS

Before assembling your bed drawer, please read through these instructions carefully, familiarize yourself with the different parts.

ATTENTION! If you receive a damaged or defective item, please contact afifurnishings at customerservice@afifurnishings.com or 1-800-955-3726



NOTE: WE INCLUDE SPARE HARDWARE IN CASE DAMAGE OCCURS DURING ASSEMBLY.

HARDWARE



(A) JCB M6 X 1" (25mm) - 8 pcs
Spare - 1 pc



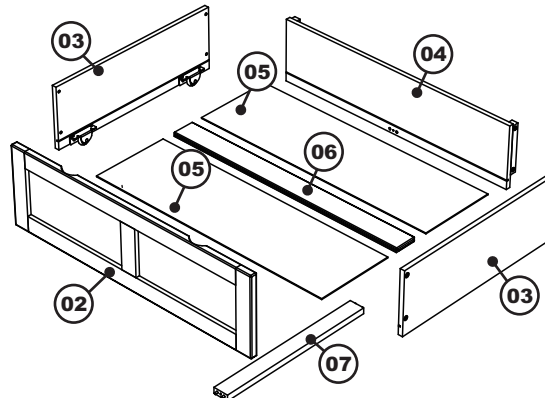
(B) Wood Screw X 1 1/4" (32mm) - 2 pcs
Spare - 1 pc



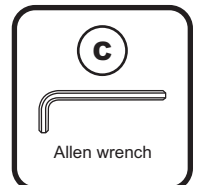
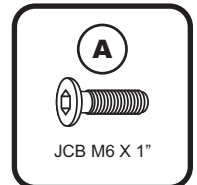
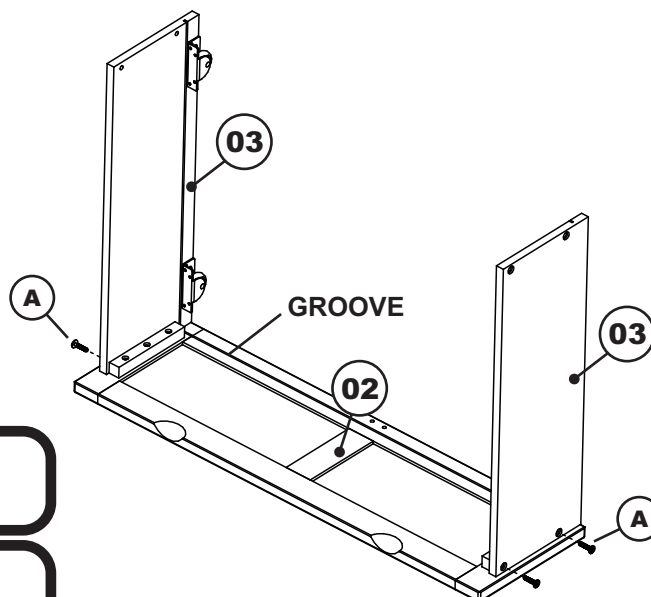
(C) Allen wrench - 1 pc
Spare - 1 pc

PARTS LIST

- | | | |
|-------------|------------------------------|--------------|
| (01) | HARDWARE | 1 BOX |
| (02) | DRAWER FACE | 1 PC |
| (03) | DRAWER SIDE | 2 PCS |
| (04) | DRAWER BACK | 1 PC |
| (05) | DRAWER BOTTOM | 2 PCS |
| (06) | DRAWER MIDDLE | 1 PC |
| (07) | DRAWER CENTER SUPPORT | 1 PC |



Step 1 Lay the drawer face (02) on smooth, flat surface so the drawer bottom (05) groove is facing upwards. Attach the drawer sides (03) to drawer face (02) using JCB M6 X 1" (A). Align groove inside drawer side with groove in drawer face. Tighten with Allen wrench (C).



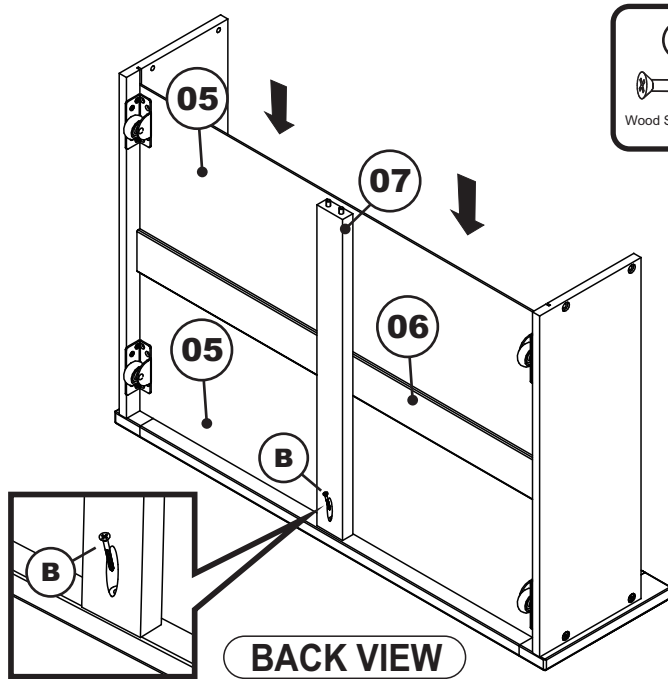
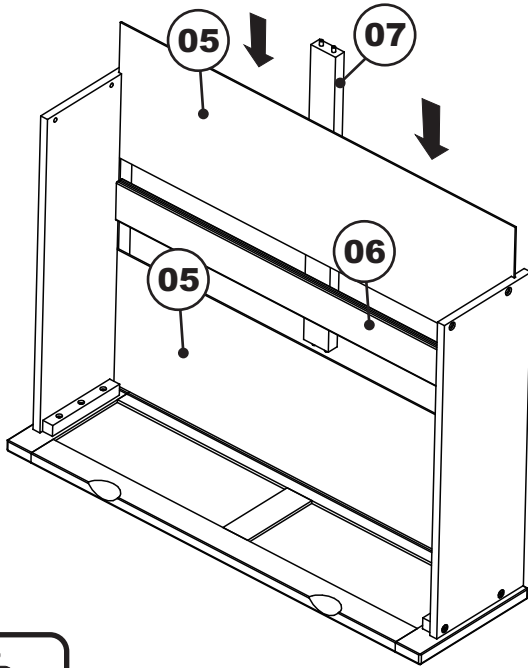
CODE	ITEM
ST-DR1-ISL	G-31802X

PO :

TWIN

Step 2

Guide the drawer bottoms (05) and drawer middle (06) in carefully so that they align inside grooves. Be sure it fits fully into the face and side groove before attaching the drawer back (04). Attach drawer center support (07) to bottom of drawer face using wood screw 1 1/4" (B). Tighten with Phillips head screw driver. (Customer supplied)

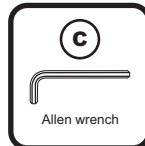
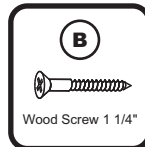
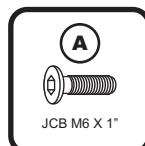
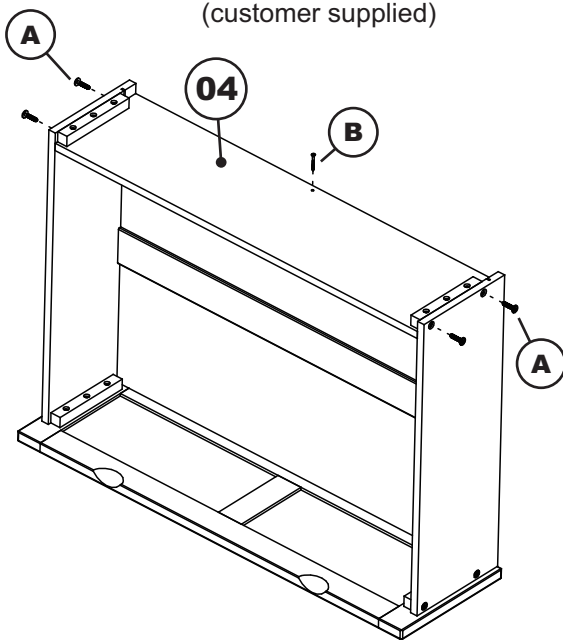


BACK VIEW



Step 3

Attach drawer back (04) to bed drawer assembly as shown. Use JCB M6 X 1" (A). Tighten with Allen wrench (C). Use wood screws 1 1/4" (B) to finish attaching drawer center support (07) to drawer back (04). Tighten with Phillips head screw driver. (customer supplied)



Congratulations!

Your bed drawer is now ready for use.
We recommend that you periodically recheck that all screws are tight to ensure lasting safety.

