

ASSEMBLY INSTRUCTIONS

Before assembling your headboard, please read through these instructions carefully and familiarize yourself with the different parts.

ATTENTION! If you receive a damaged or defective item, please contact afifurnishings at customerservice@afifurnishings.com or 1-800-955-3726

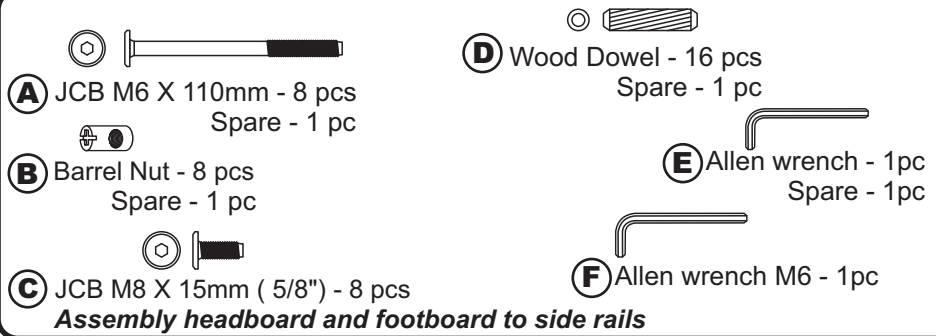


PARTS LIST

①	LEFT POST	1 PC
②	RIGHT POST	1 PC
③	HB TOP RAIL	1 PC
④	MID RAIL	1 PC
⑤	HB BOTTOM RAIL	1 PC
⑥	FOOTBOARD PANEL	1 PC
⑦	LEFT LEG	1 PC
⑧	RIGHT LEG	1 PC
⑨	FB TOP RAIL	1 PC
⑩	FB BOTTOM RAIL	1 PC

Instructions apply for bed sizes
TWIN

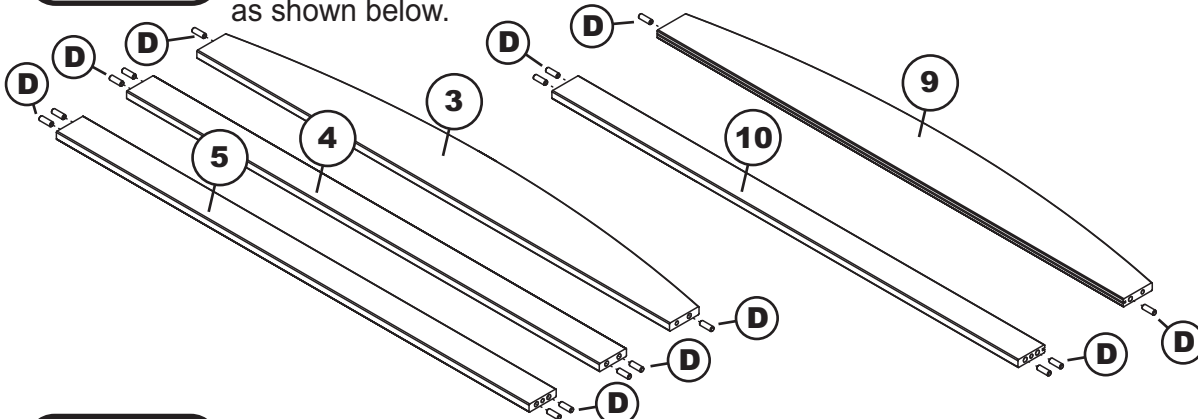
HARDWARE



NOTE: WE INCLUDE SPARE HARDWARE IN CASE DAMAGE OCCURS DURING ASSEMBLY.

Step 1

Insert all wooden dowels (D) into the locator holes on (3)(4)(5)(9) and(10) as shown below.



Adult assembly

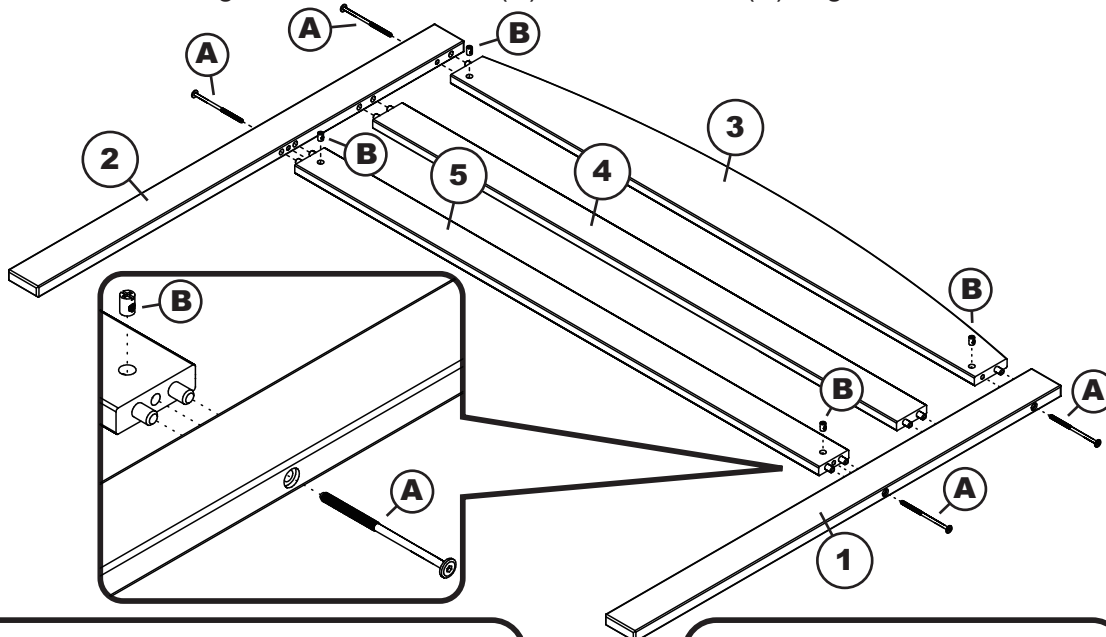
(D)



Wood Dowel

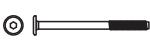
Step 2

Lay the left and right post (1)(2) bracket face down on smooth surface. Connect HB top rail (3), mid rail (4) and HB bottom rail (5) as shown below, using JCB M6 X 110mm (A) and barrel nut (B). Tighten with the Allen wrench (E).



Adult assembly

(A)



JCB M6 X 110mm

(B)



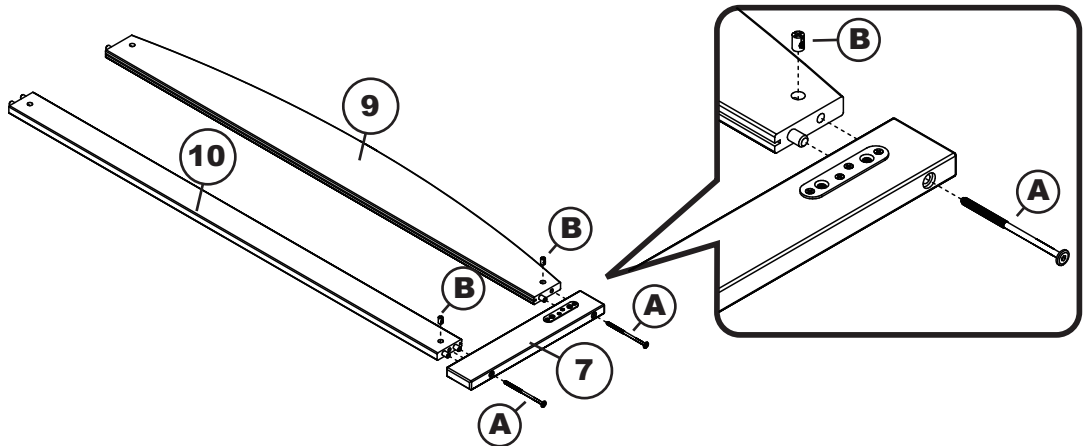
Barrel Nut

PO:

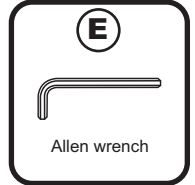
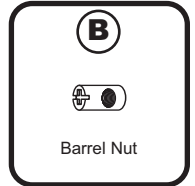
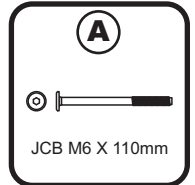
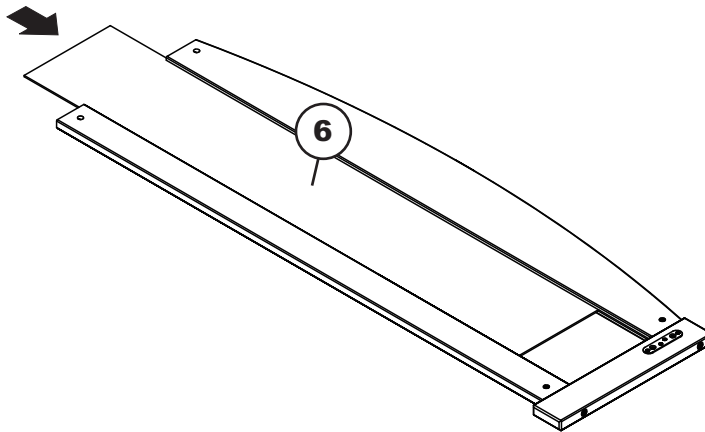
CODE ITEM
HBFB-ISL-WRN G-12902X

Step 3

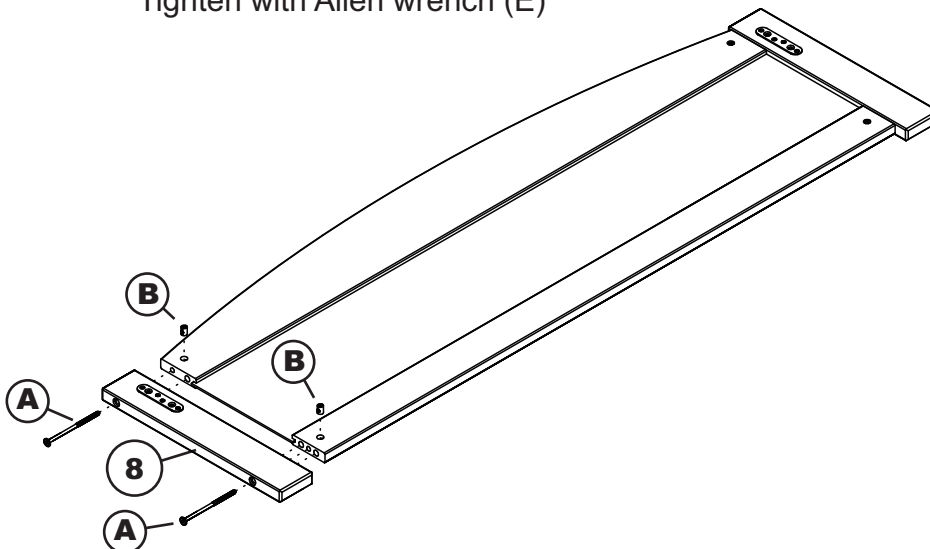
Lay the left leg (7) bracket face up on smooth surface to FB top rail (9) and FB bottom rail (10) as shown below, using JCB M6 X 110mm (A) and barrel nut (B). Tighten with the Allen wrench (E).

**Step 4**

Guide the footboard panel (6) in carefully so that it won't jump out of its grooves. Be sure it fits fully into the groove at the end (in the leg) before fitting the other leg.

**Step 5**

Attach the right leg (8) to footboard assembly as shown below, using JCB M6 X 110mm (A) and barrel nut (B). Tighten with Allen wrench (E)



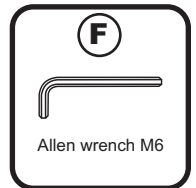
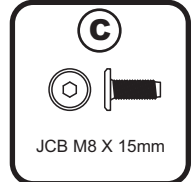
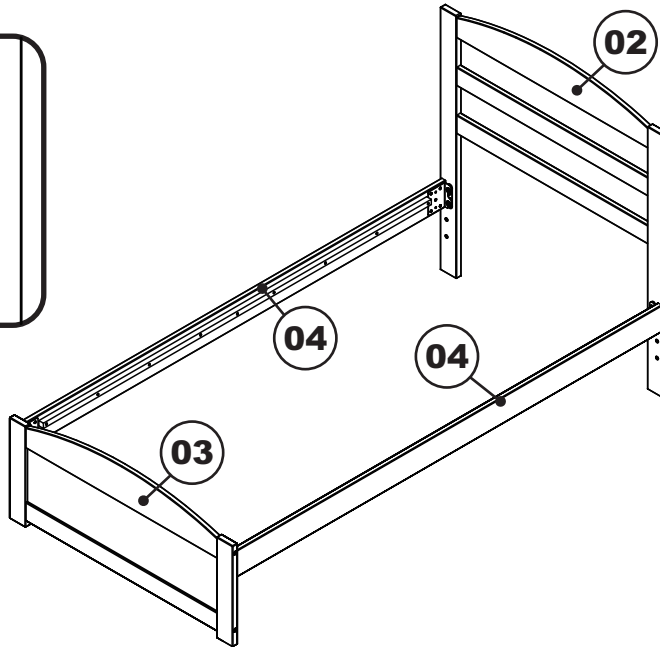
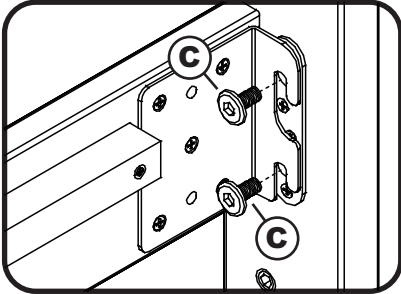
TWIN

- 01 HARDWARE
 - 02 HEADBOARD
 - 03 FOOTBOARD
- BOX 1

- 01 HARDWARE
 - 04 SIDE RAILS
 - 05 SLAT KIT
- BOX 2

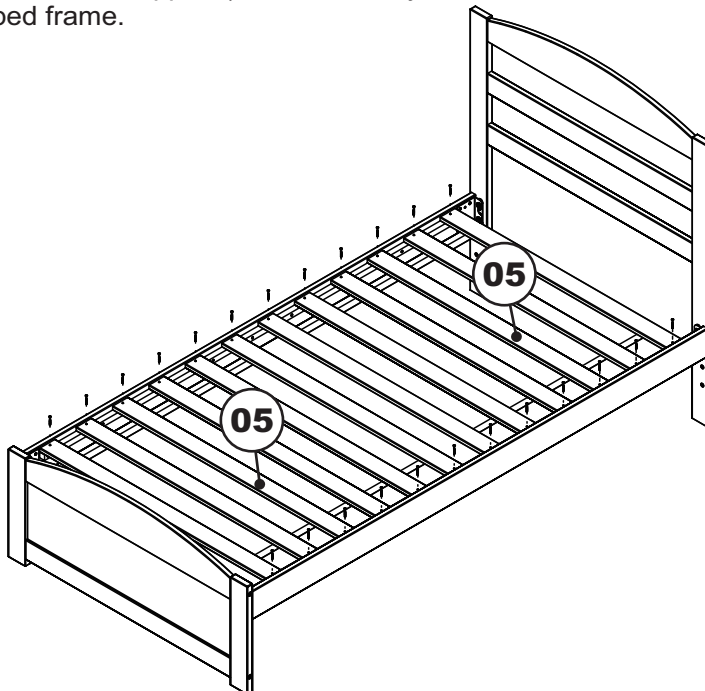
Step 1

Attach the side rails (04) to the headboard (02) and footboard (03) using JCB M8 X 15mm (C). Tighten with Allen wrench M6 (F).



Step 2

Attach slat kit (05) onto the bed using wood screws. Tighten with Phillips head screw driver. (customer supplied) For assembly of slat kit, follow the assembly instructions included with bed frame.



Congratulations!

Your bed is now ready for use.

We recommend that you periodically recheck that all screws are tight to ensure lasting safety.

TWIN XL ASSEMBLY INSTRUCTIONS

Before assembling your bed frame, please read through these instructions carefully and familiarize yourself with the different parts.

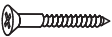


ATTENTION! If you receive a damaged or defective item, please contact afifurnishings at customerservice@afifurnishings.com or 1-800-955-3726

PARTS LIST

- ① **SIDE RAIL 2 PCS**
- ② **SLAT KIT 2 SETS**

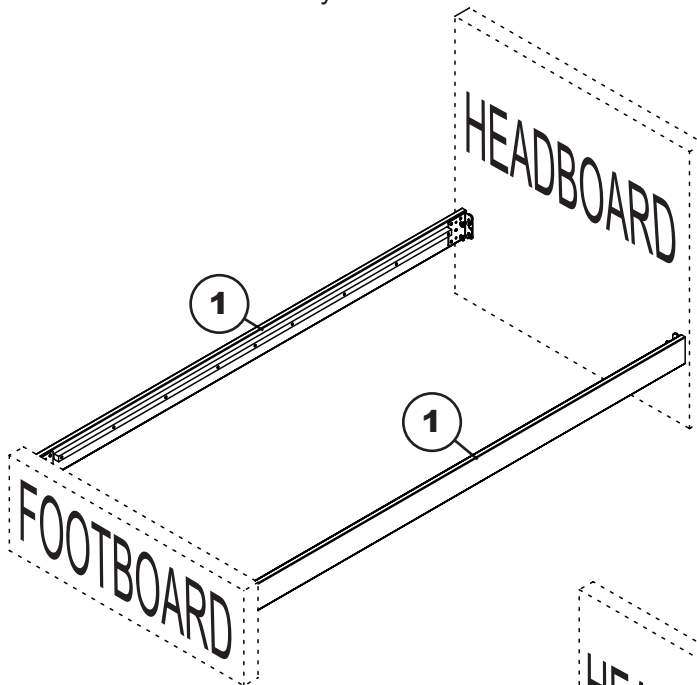
HARDWARE

- Ⓐ  Wood screw(1 1/4") - 28 pcs
Spare - 2 pcs

NOTE: WE INCLUDE SPARE HARDWARE IN CASE DAMAGE OCCURS DURING ASSEMBLY.

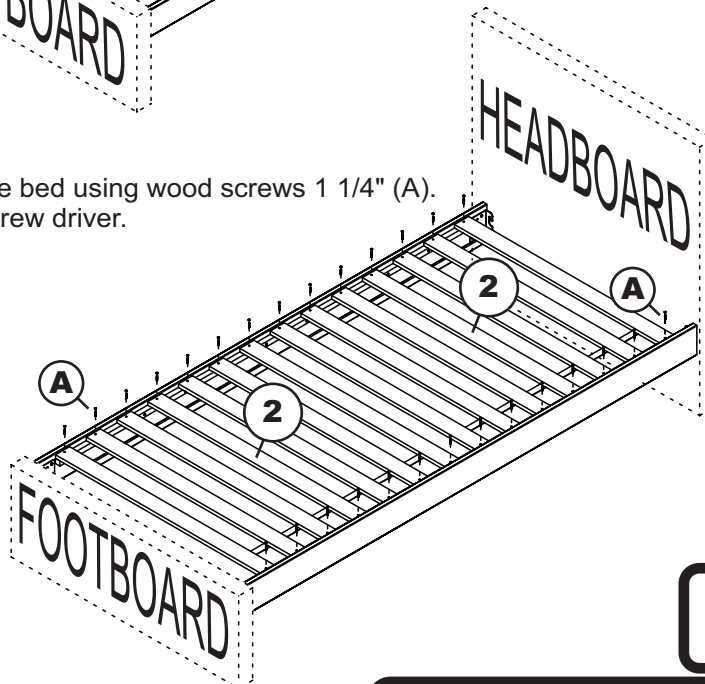
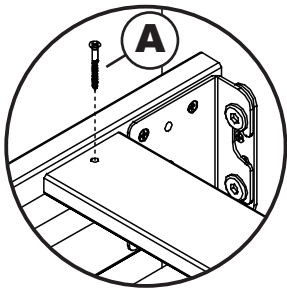
Step 1

Attach side rails (1) to the headboard and footboard. For assembly, follow the assembly instructions included with your headboard and footboard.



Step 2

Attach the slat kit (2) onto the bed using wood screws 1 1/4" (A). Tighten with Phillips head screw driver. (customer supplied)



CODE	ITEM
FR-MT-ISL	G-24801X

PO:

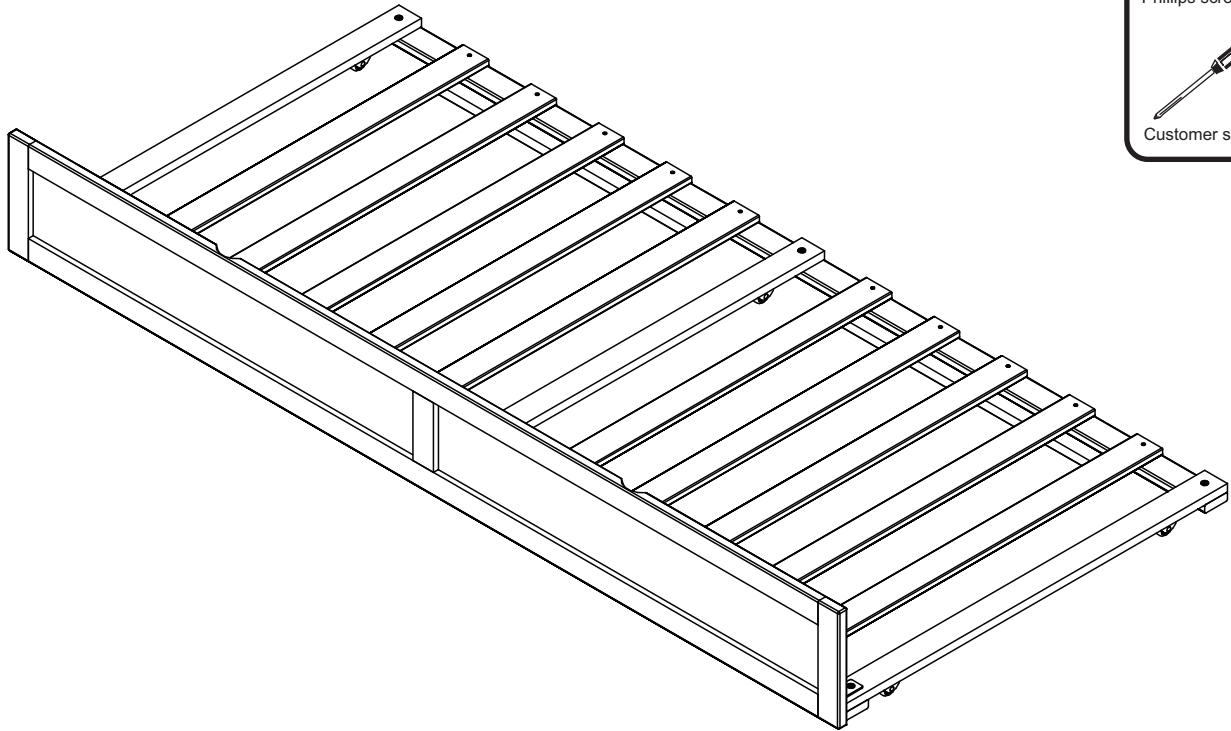
TWIN XL

ASSEMBLY INSTRUCTIONS

Before assembling your Trundle bed, please read through these instructions carefully. Familiarize yourself with the different parts.



ATTENTION! If you receive a damaged or defective item, please contact afifurnishings at customerservice@afifurnishings.com or 1-800-955-3726

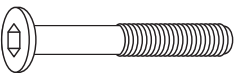


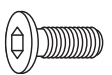
CODE	ITEM
ST-TD-ISL	G-35801X

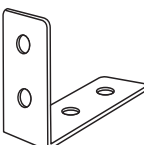
PO :

HARDWARE

NOTE: WE INCLUDE SPARE HARDWARE IN CASE DAMAGE OCCURS DURING ASSEMBLY.

A  JCB M6 X 1 5/8" (40mm) - 9 pcs
Spare - 1 pc

B  JCB M6 X 5/8" (15mm) - 6 pcs
Spare - 1 pc
Fix L bracket to front panel

C  L Bracket - 3 pcs

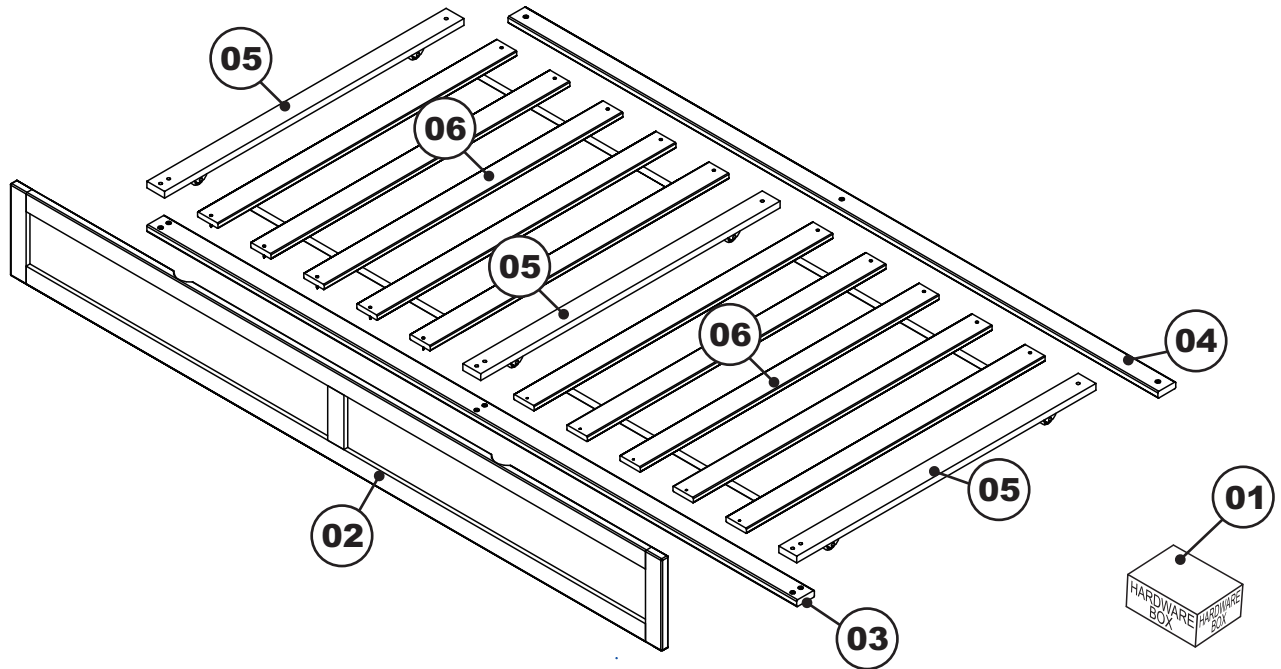
D  Wood screw - 20 pcs
Spare - 2 pcs

E  Allen wrench - 1 pc
Spare - 1 pc

TWIN XL

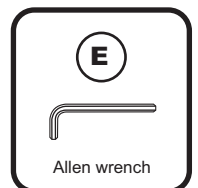
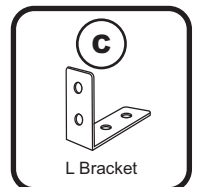
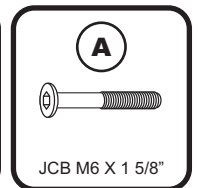
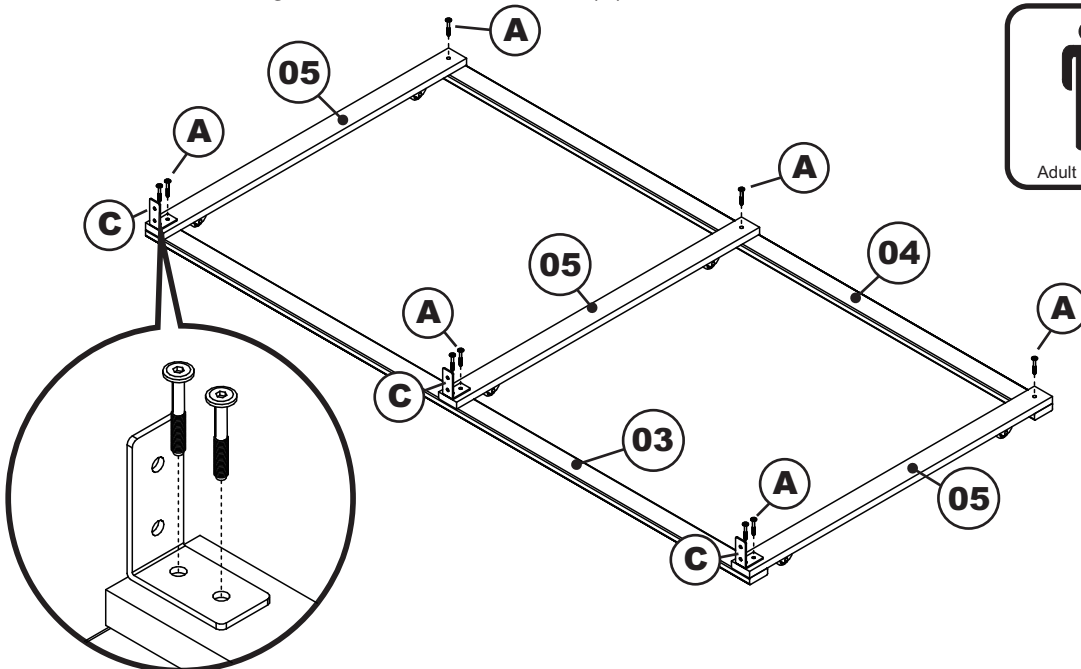
PARTS LIST

- | | | | | | |
|----|-------------|-------|----|-----------------------|--------|
| 01 | HARDWARE | 1 BOX | 05 | LEFT, RIGHT, MID RAIL | 3 PCS |
| 02 | FRONT PANEL | 1 PC | 06 | SLAT KIT WITH WEBBING | 2 SETS |
| 03 | FRONT RAIL | 1 PC | | | |
| 04 | BACK RAIL | 1 PC | | | |



Step 1

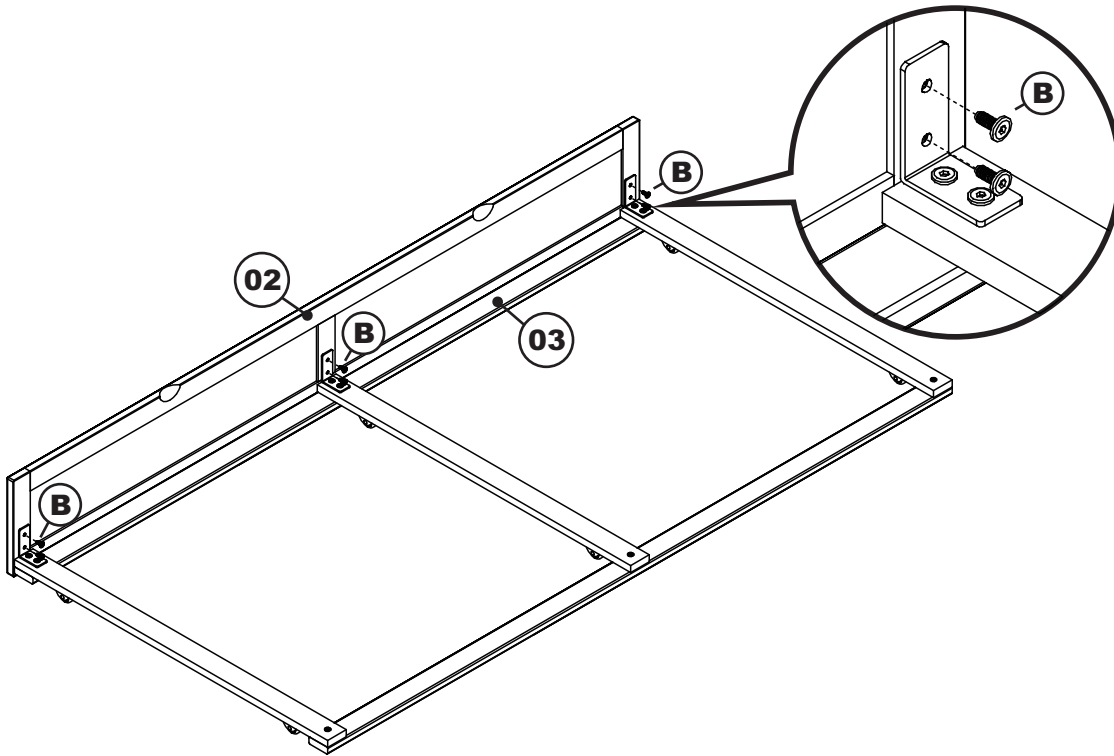
Attach the left, right and mid rails (05) to the front rail (03) using L bracket (C) and JCB M6 X 1 5/8" (A). Attach left, right and mid rails (05) to the back rail (04) using JCB M6 X 1 5/8" (A). Tighten with the Allen wrench (E).



TWIN XL

Step 2

Attach the front panel (02) to the front rail (03) as shown, using JCB M6 X 5/8" (B). Tighten with the Allen wrench (E).



Adult assembly

B



JCB M6 X 5/8"

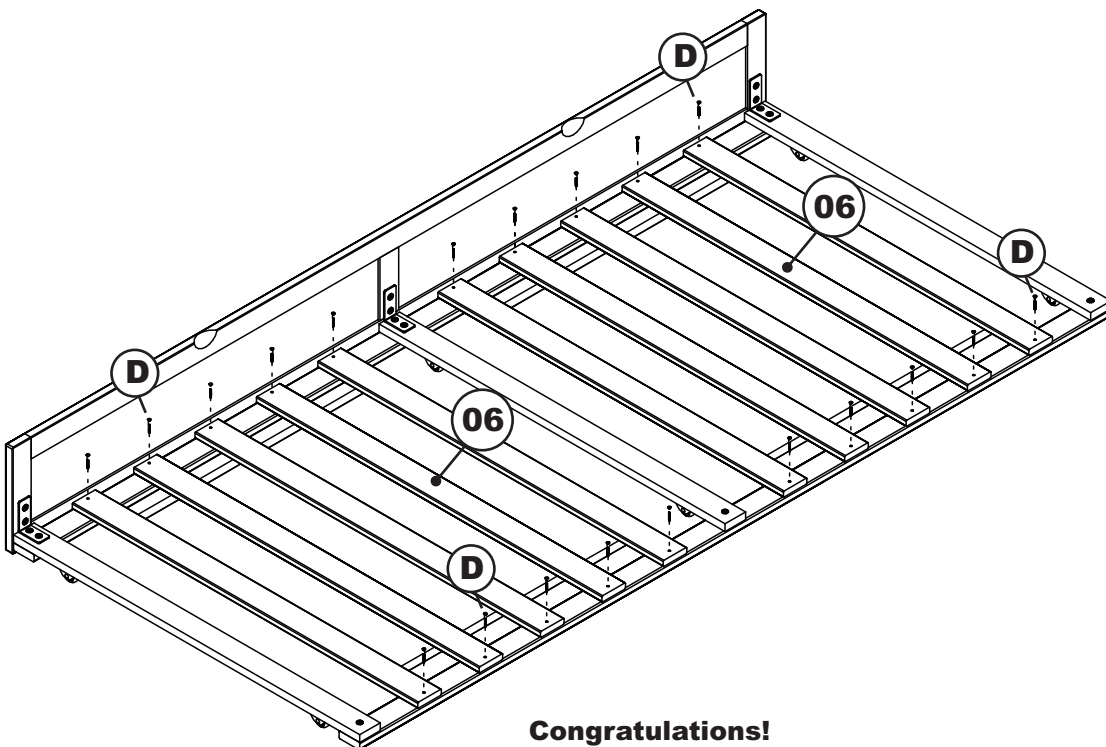
E



Allen wrench

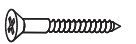
Step 3

Lay the slat kits (06) webbing side down onto the rail assembly as shown. Attach using wood screw (D) and tighten with the Phillips head screw driver. (customer supplied)



Adult assembly

D



Wood screw

Phillips screwdriver



Customer supplied

Congratulations!

Your Trundle bed is now ready for use.

We recommend that you periodically check that all screws are tight and all parts are secure to ensure lasting safety.