

ASSEMBLY INSTRUCTIONS

Before assembling your headboard, please read through these instructions carefully and familiarize yourself with the different parts.

ATTENTION! If you receive a damaged or defective item, please contact afifurnishings at customerservice@afifurnishings.com or 1-800-955-3726



PARTS LIST

- 1 HEADBOARD PANEL 1 PC
- 2 LEFT LEG 1 PC
- 3 RIGHT LEG 1 PC

Instructions apply for bed sizes
TWIN > FULL > QUEEN

HARDWARE

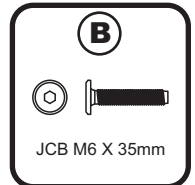
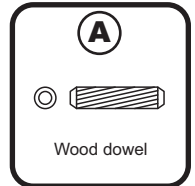
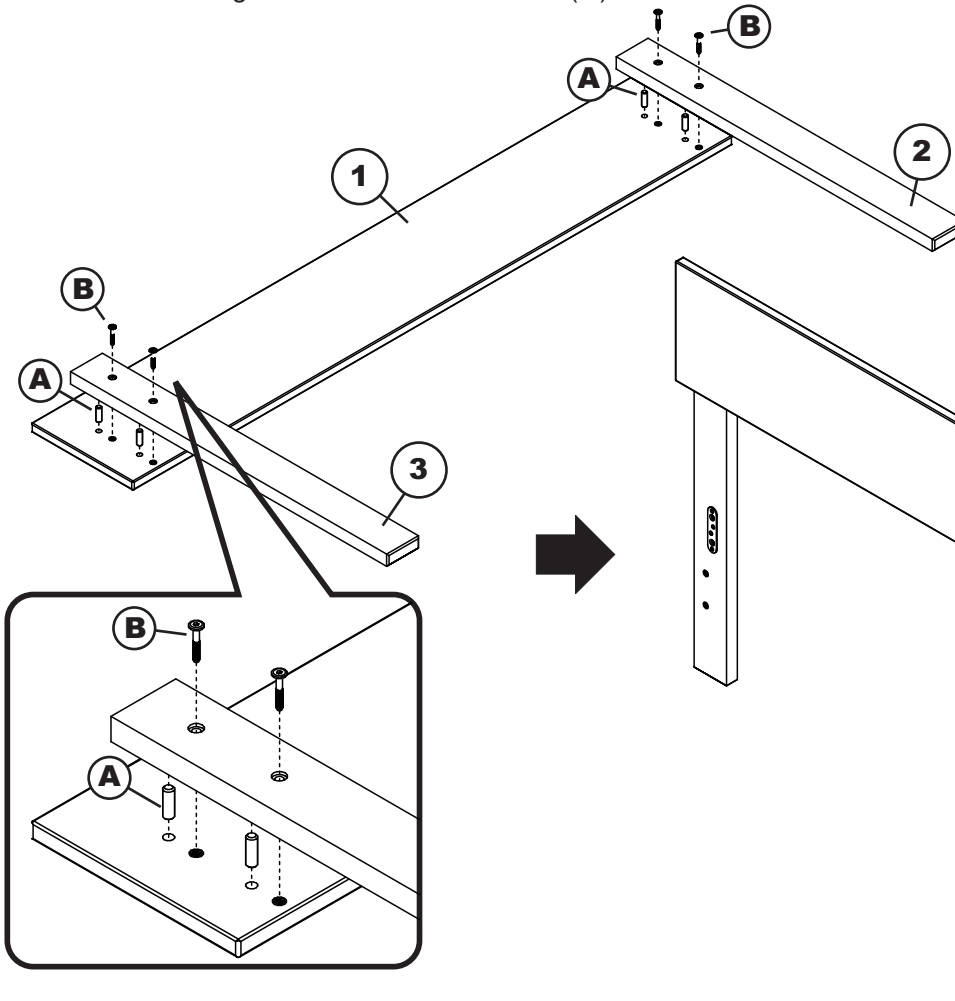
- A Wooden dowel - 4 pcs
Spare - 1 pc
- B JCB M6 X 35mm (1 3/8") - 4 pcs
Spare - 1 pc
- C JCB M8 X 15mm (5/8") - 4 pcs
Assembly headboard to open bed frame
- G Allen wrench - 1 pc
Spare - 1 pc

- HARDWARE FOR METAL BED FRAME
- D JCB M6 X 25mm (1") - 4 pcs
Spare - 1 pc
 - E Flat washer - 4 pcs
Spare - 1 pc
 - F Split washer - 4 pcs
Spare - 1 pc

NOTE: WE INCLUDE SPARE HARDWARE IN CASE DAMAGE OCCURS DURING ASSEMBLY.

Step 1

Attach the left leg (2) and right leg (3) to headboard panel (1), using wooden dowels (A) and JCB M6 X 35mm (B). Tighten with the Allen wrench (G).



FOR BED FRAME ASSEMBLY follow assembly instructions included with your bed frame. If you purchased a wood headboard to attach to metal bed frame, please refer to page 2.

PO:

CODE	ITEM	ITEM	ITEM
HB-ISL-BST	G-11812X	G-11813X	G-11814X

FULL ASSEMBLY INSTRUCTIONS

Before assembling your bed frame, please read through these instructions carefully and familiarize yourself with the different parts.



ATTENTION! If you receive a damaged or defective item, please contact afifurnishings at customerservice@afifurnishings.com or 1-800-955-3726

PARTS LIST

①	FOOT RAIL	1 PC
②	LEFT LEG	1 PC
③	RIGHT LEG	1 PC
④	SIDE RAILS	2 PCS
⑤	SLAT KIT	2 SETS
⑥	SLAT SUPPORT 1	1 PC
⑦	SLAT SUPPORT 2	1 PC
⑧	SUPPORT LEGS	3 PCS

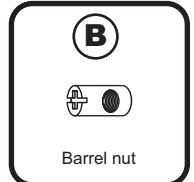
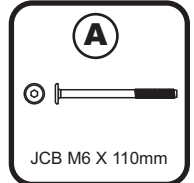
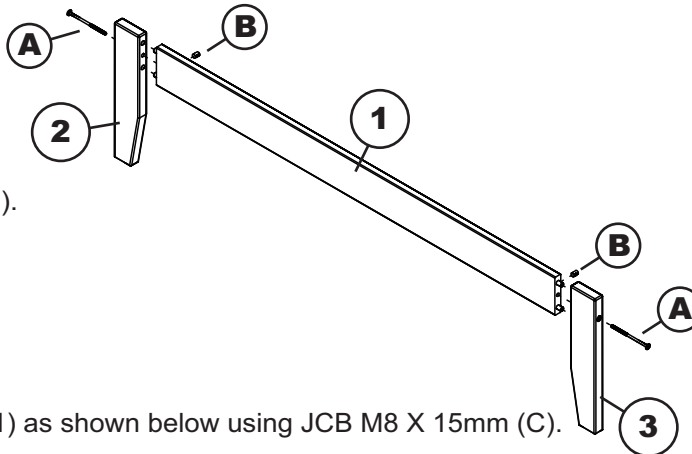
HARDWARE

①	JCB M6 X 110mm (4 3/8") - 2 pcs Spare - 1 pc	⑤	JCB M6 X 25mm(1") - 4pcs
②	Barrel nut - 2 pcs	⑥	Cap nut - 4pcs
③	JCB M8 X 15mm (5/8") - 4 pcs	⑦	Allen Screw - 3pcs
④	Wood screw(1 1/4") - 25 pcs Spare - 2 pcs	⑧	Allen wrench M6 - 1pc
		⑨	Allen wrench M4 - 1pc Spare - 1pc

NOTE: WE INCLUDE SPARE HARDWARE IN CASE DAMAGE OCCURS DURING ASSEMBLY.

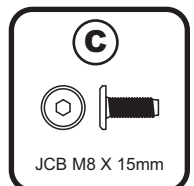
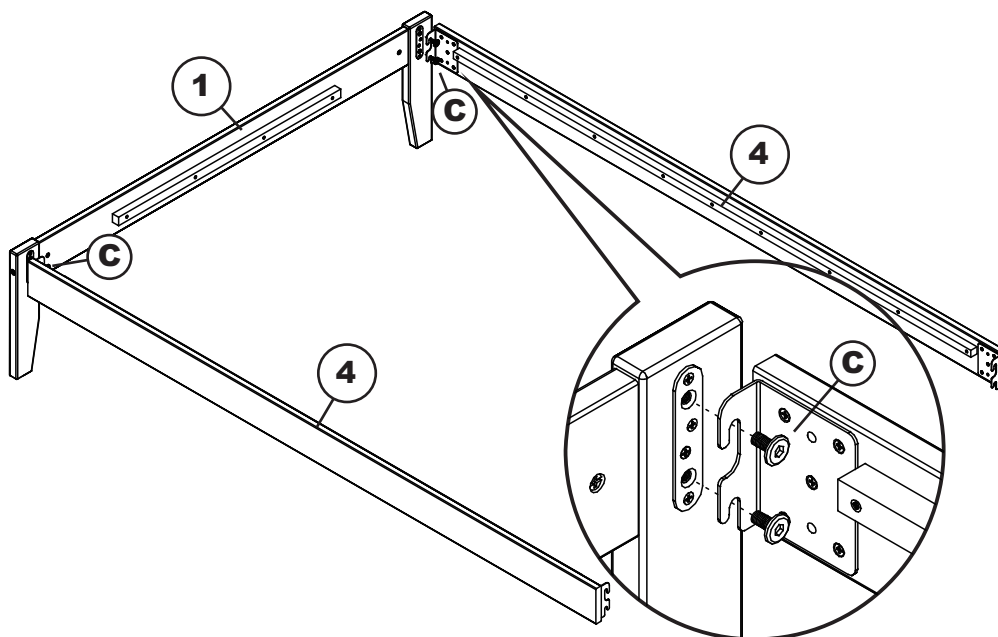
Step 1

Attach the legs (2) and (3) to foot rail (1), using JCB M6 X 110mm (A) and barrel nut (B).
Tighten with the Allen wrench M4 (I).



Step 2

Attach side rails (4) to the foot rail (1) as shown below using JCB M8 X 15mm (C).
Tighten with Allen wrench M6 (H).



PO:

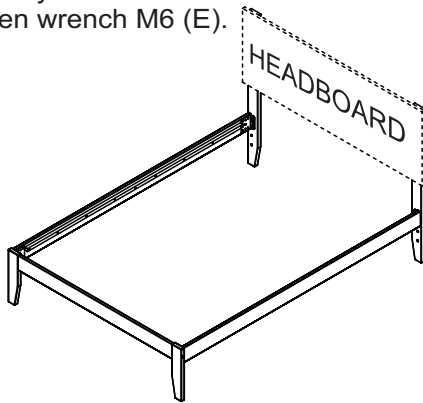
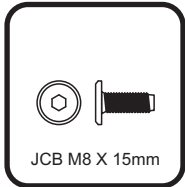
CODE ITEM
FR-OP-ISL G-21803X

FULL



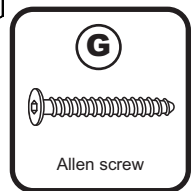
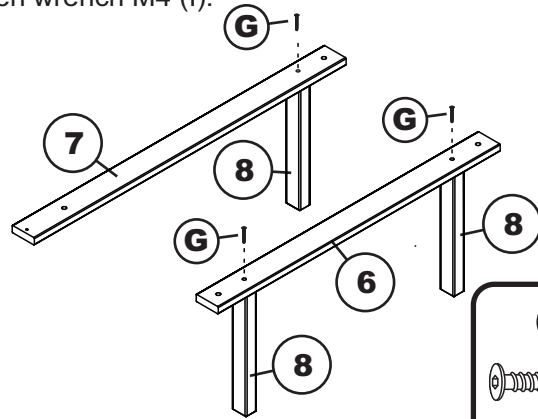
Step 3

Attach open bed frame to the headboard as shown below using 4 JCB M8 X 15mm bolts that are supplied with your headboard. Tighten with the Allen wrench M6 (E).



Step 4

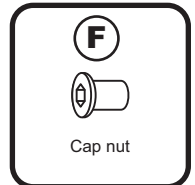
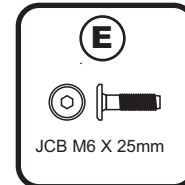
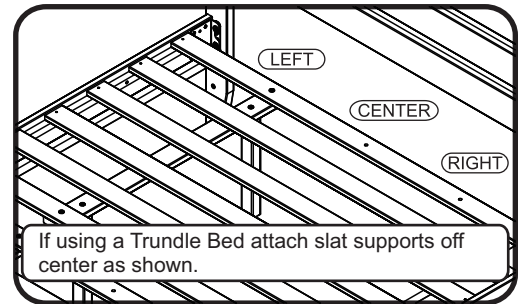
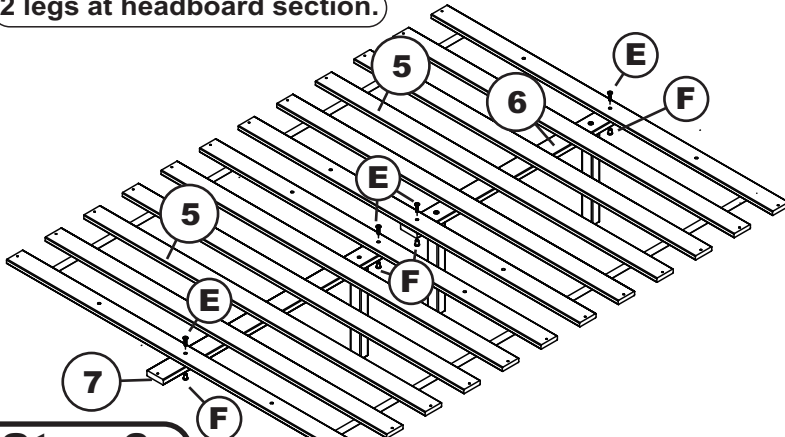
Attach support legs (8) to slat support 1 & 2 (6)(7) as shown below using Allen screw (G) tighten with Allen wrench M4 (I).



Step 5

Attach slat support 1(6) and slat support 2 (7) to the slat kit (5) as shown below using JCB M6 X 25mm (E) and cap nut (F). Tighten with Allen wrench M4 (I).

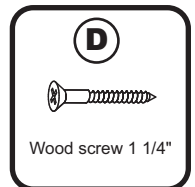
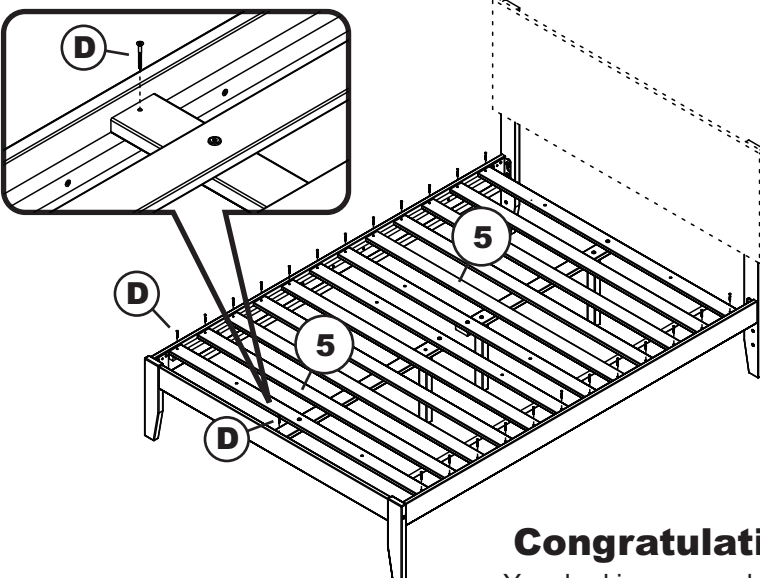
2 legs at headboard section.



Step 6

1 leg at footboard section.

Attach 2 slat kits (5) to the open bed frame as shown below using wood screws 1 1/4" (D). Tighten with Phillips head screw driver. (customer supplied)



Congratulations!

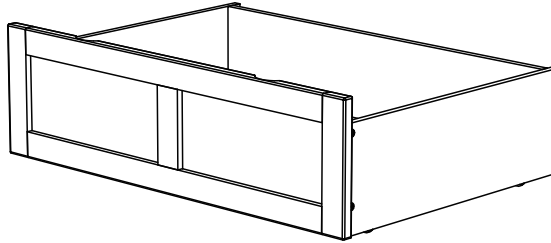
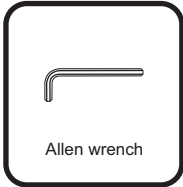
Your bed is now ready for use.

We recommend that you periodically recheck that all screws are tight to ensure lasting safety.

TWIN/FULL ASSEMBLY INSTRUCTIONS

Before assembling your bed drawer, please read through these instructions carefully, familiarize yourself with the different parts.

ATTENTION! If you receive a damaged or defective item, please contact afifurnishings at customerservice@afifurnishings.com or 1-800-955-3726



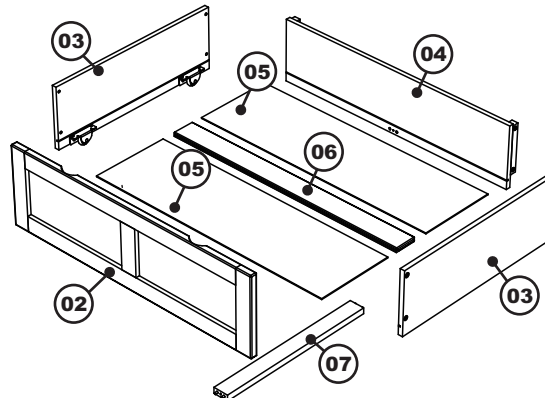
NOTE: WE INCLUDE SPARE HARDWARE IN CASE DAMAGE OCCURS DURING ASSEMBLY.

HARDWARE

- A** JCB M6 X 1" (25mm) - 16 pcs
Spare - 1 pc
- B** Wood Screw X 1 1/4" (32mm) - 4 pcs
Spare - 1 pc
- C** Allen wrench - 1 pc
Spare - 1 pc

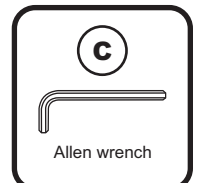
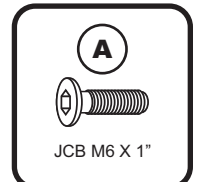
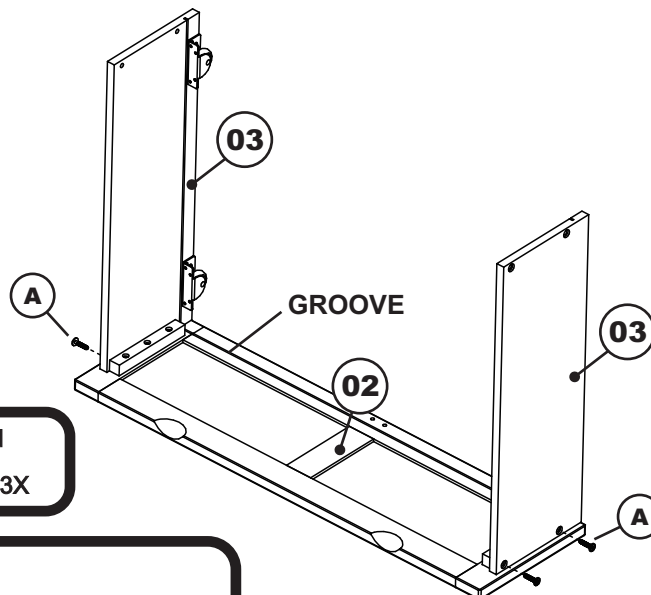
PARTS LIST

- 01** HARDWARE 1 BOX
- 02** DRAWER FACE 1 PC
- 03** DRAWER SIDE 2 PCS
- 04** DRAWER BACK 1 PC
- 05** DRAWER BOTTOM 2 PCS
- 06** DRAWER MIDDLE 1 PC
- 07** DRAWER CENTER SUPPORT 1 PC



Step 1

Lay the drawer face (02) on smooth, flat surface so the drawer bottom (05) groove is facing upwards. Attach the drawer sides (03) to drawer face (02) using JCB M6 X 1" (A). Align groove inside drawer side with groove in drawer face. Tighten with Allen wrench (C).



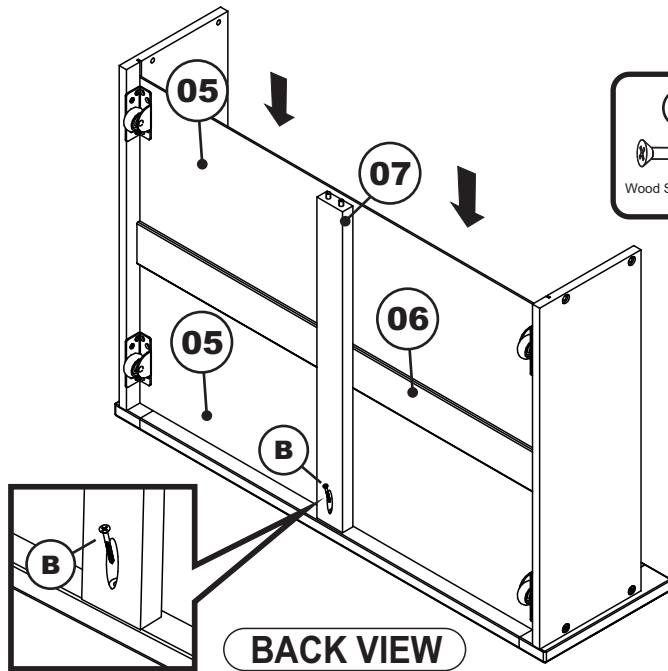
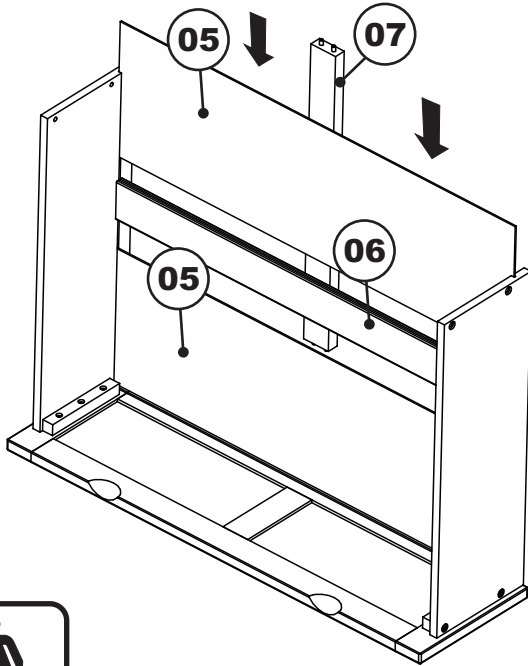
CODE	ITEM
ST-DR2-ISL	G-32803X

PO :

TWIN/FULL

Step 2

Guide the drawer bottoms (05) and drawer middle (06) in carefully so that they align inside grooves. Be sure it fits fully into the face and side groove before attaching the drawer back (04). Attach drawer center support (07) to bottom of drawer face using wood screw 1 1/4" (B). Tighten with Phillips head screw driver. (Customer supplied)

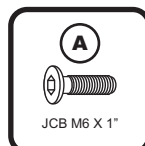
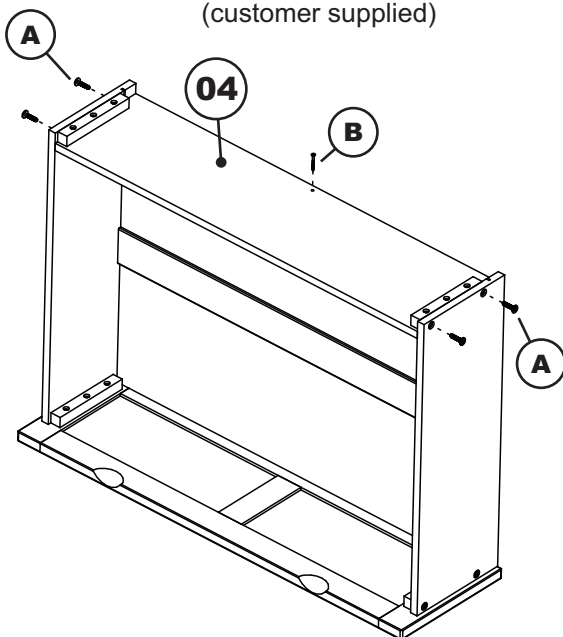


BACK VIEW

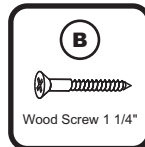


Step 3

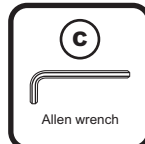
Attach drawer back (04) to bed drawer assembly as shown. Use JCB M6 X 1" (A). Tighten with Allen wrench (C). Use wood screws 1 1/4" (B) to finish attaching drawer center support (07) to drawer back (04). Tighten with Phillips head screw driver. (customer supplied)



JCB M6 X 1"



Wood Screw 1 1/4"



Allen wrench

Congratulations!

Your bed drawer is now ready for use.
We recommend that you periodically recheck that all screws are tight to ensure lasting safety.

