

QUEEN

ASSEMBLY INSTRUCTIONS

Before assembling your bed frame, please read through these instructions carefully and familiarize yourself with the different parts.

ATTENTION! If you receive a damaged or defective item, please contact [afifurnishings.com](mailto:customerservice@afifurnishings.com) at customerservice@afifurnishings.com or 1-800-955-3726



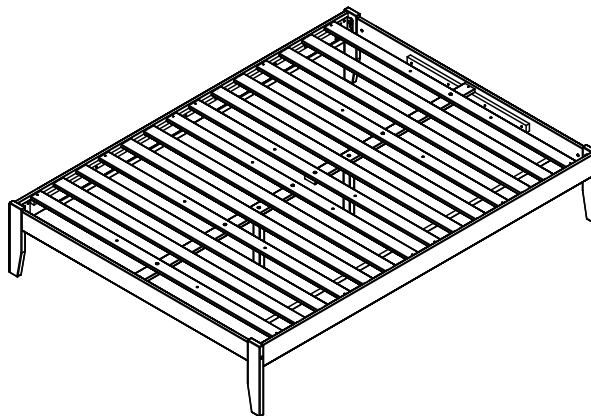
PARTS LIST

- | | | |
|---|------------------|--------|
| 1 | RIGHT LEG | 2 PCS |
| 2 | LEFT LEG | 2 PCS |
| 3 | FOOT / HEAD RAIL | 2 PCS |
| 4 | SIDE RAIL | 2 PCS |
| 5 | SLAT KIT | 2 SETS |
| 6 | SLAT SUPPORT | 2 PCS |
| 7 | SLAT SUPPORT LEG | 2 PCS |

HARDWARE

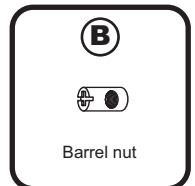
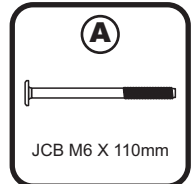
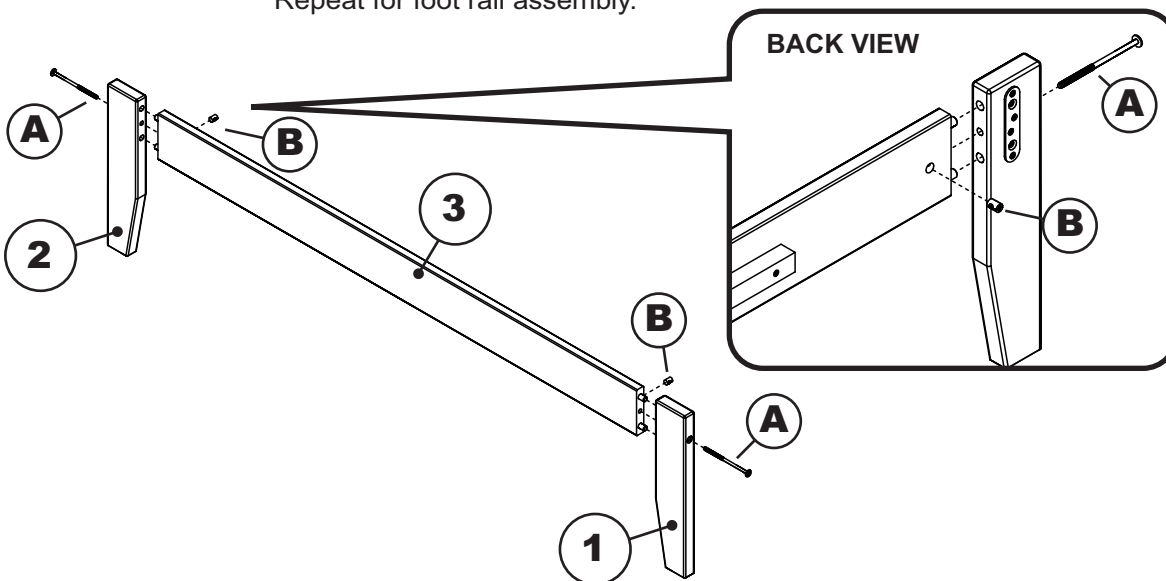
- | | | | |
|---|---------------------------------|---|-------------------------------|
| A | JCB M6 X 110mm (4 3/8") - 4 pcs | G | JCB M8 X 40mm (1 5/8") - 2pcs |
| B | Barrel nut - 4 pcs | H | Allen wrench M6 - 1pc |
| C | JCB M8 X 15mm (5/8") - 8 pcs | I | Allen wrench M4 - 1pc |
| D | Wood screw(1 1/4") - 14 pcs | J | Split washer - 2pcs |
| E | JCB M6 X 30mm(1 1/4") - 6pcs | K | Flat washer - 2pcs |
| | | L | Surface Mount Charger - 1set |
| | | | Screws 1/2" - 2 pcs |
| | | | Spare - 1 pc |

NOTE: WE INCLUDE SPARE HARDWARE IN CASE DAMAGE OCCURS DURING ASSEMBLY.



Step 1

Attach the right leg (1) and left leg (2) to the head rail (3) using JCB M6 X 110mm (A) and barrel nut (B). Tighten with the Allen wrench M4 (I). Repeat for foot rail assembly.



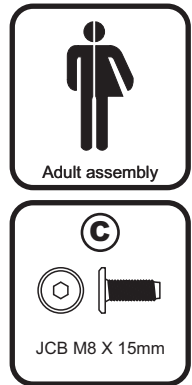
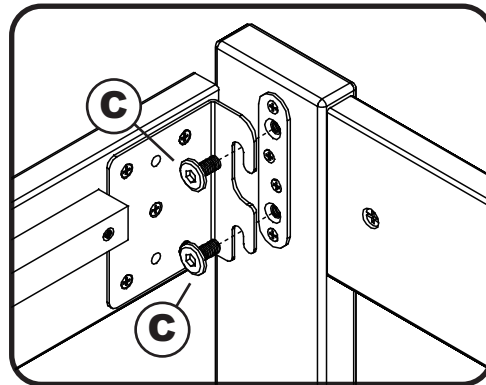
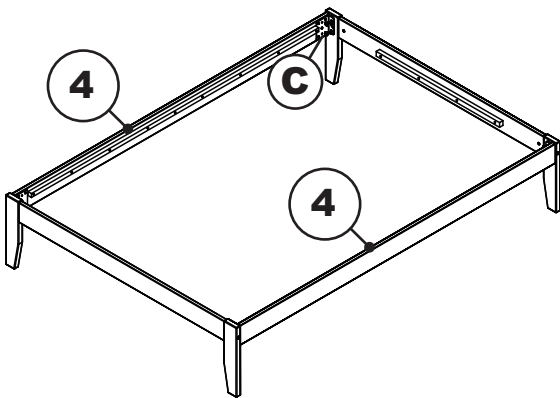
PO:

CODE	ITEM
BD-COD-ISL	G-23804X

QUEEN

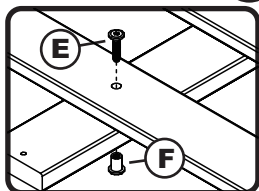
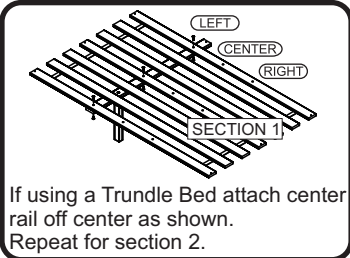
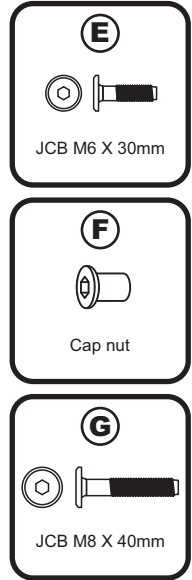
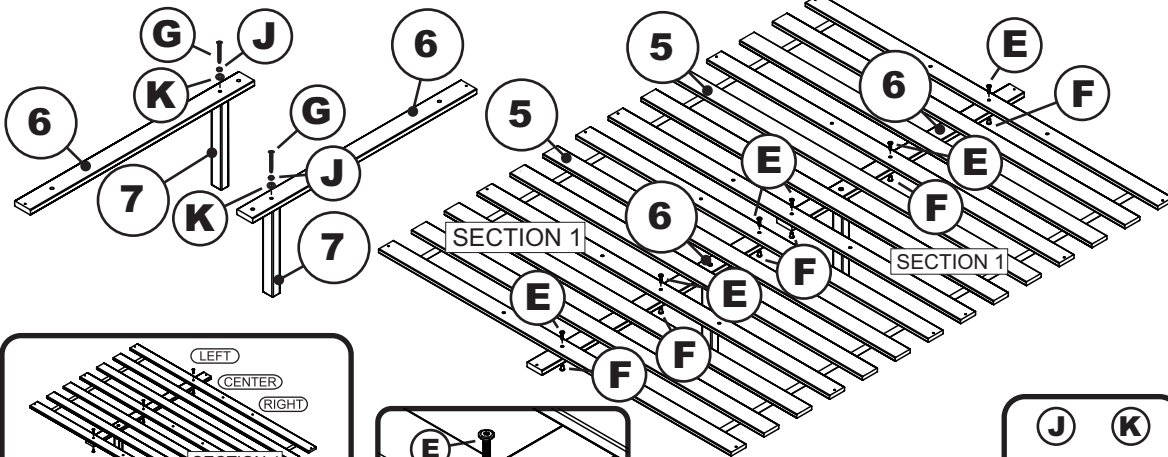
Step 2

Attach the foot rail or head rail to side rails (4) using JCB M8 X 15mm (C). Tighten with the Allen wrench M6 (H).



Step 3

Attach slat support (6) to slat support leg (7) using JCB M8 X 40mm (G) split and flat washer (J)(K). Tighten with Allen wrench M6 (H). Attach slat support (6) to the slat kit (5) as shown below using JCB M6 X 30mm (E) and cap nut (F). Tighten with Allen wrench M4 (I).

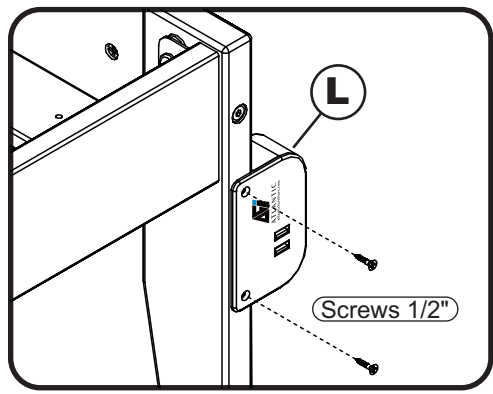
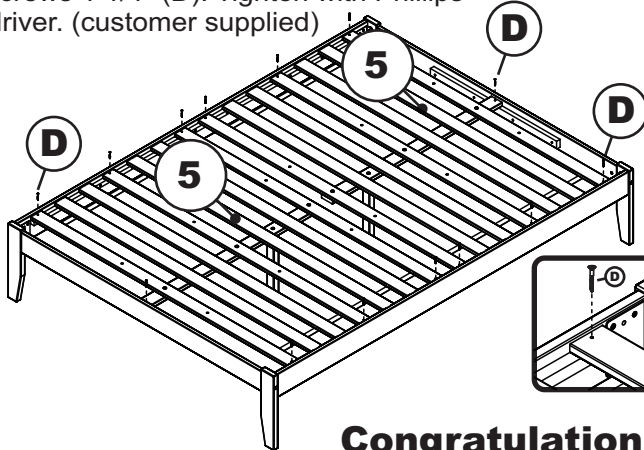
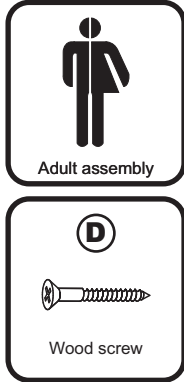


Step 4

Attach slat kit (5) to the bed frame as shown below using wood screws 1 1/4" (D). Tighten with Phillips head screw driver. (customer supplied)

Step 5

Attach the USB charger (L) to the location as shown below using 1/2" screws and tighten with Phillips head screw driver. (customer supplied)



Congratulations!

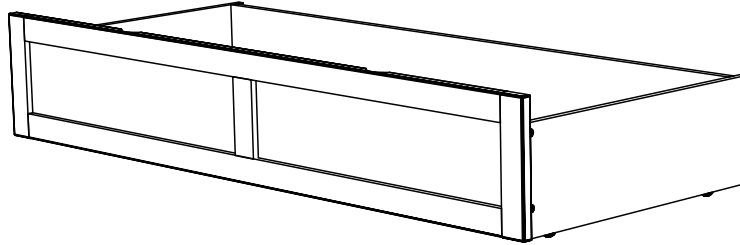
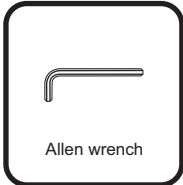
Your bed is now ready for use.

We recommend that you periodically recheck that all screws are tight to ensure lasting safety.

TWIN XL / QUEEN ASSEMBLY INSTRUCTIONS

Before assembling your bed drawer, please read through these instructions carefully, familiarize yourself with the different parts.

ATTENTION! If you receive a damaged or defective item, please contact afifurnishings at customerservice@afifurnishings.com or 1-800-955-3726



NOTE: WE INCLUDE SPARE HARDWARE IN CASE DAMAGE OCCURS DURING ASSEMBLY.

HARDWARE



(A) JCB M6 X 1" (25mm) - 16 pcs
Spare - 1 pc



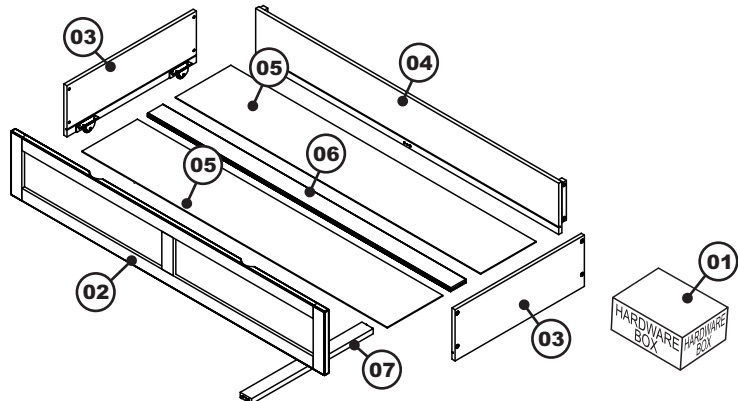
(B) Wood Screw X 1 1/4" (32mm) - 4 pcs
Spare - 1 pc



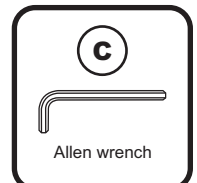
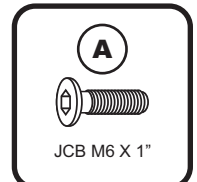
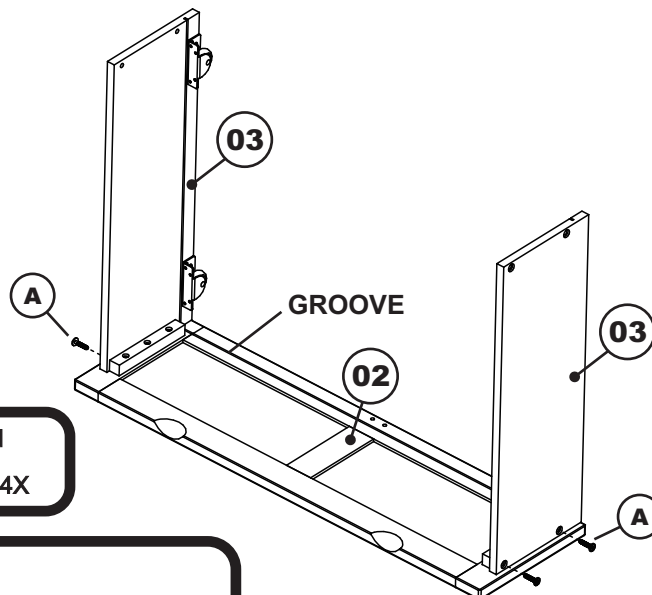
(C) Allen wrench - 1 pc
Spare - 1 pc

PARTS LIST

- (01) HARDWARE 1 BOX**
- (02) DRAWER FACE 1 PC**
- (03) DRAWER SIDE 2 PCS**
- (04) DRAWER BACK 1 PC**
- (05) DRAWER BOTTOM 2 PCS**
- (06) DRAWER MIDDLE 1 PC**
- (07) DRAWER CENTER SUPPORT 1 PC**



Step 1 Lay the drawer face (02) on smooth, flat surface so the drawer bottom (05) groove is facing upwards. Attach the drawer sides (03) to drawer face (02) using JCB M6 X 1" (A). Align groove inside drawer side with groove in drawer face. Tighten with Allen wrench (C).



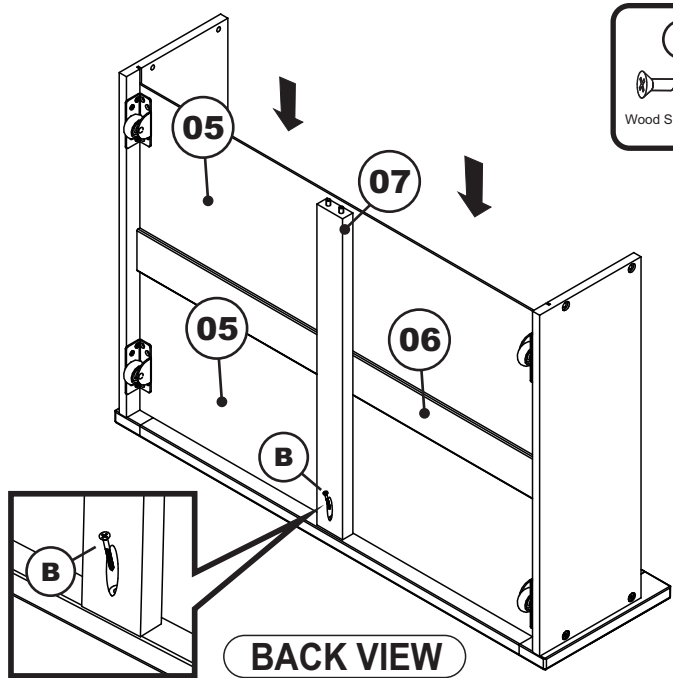
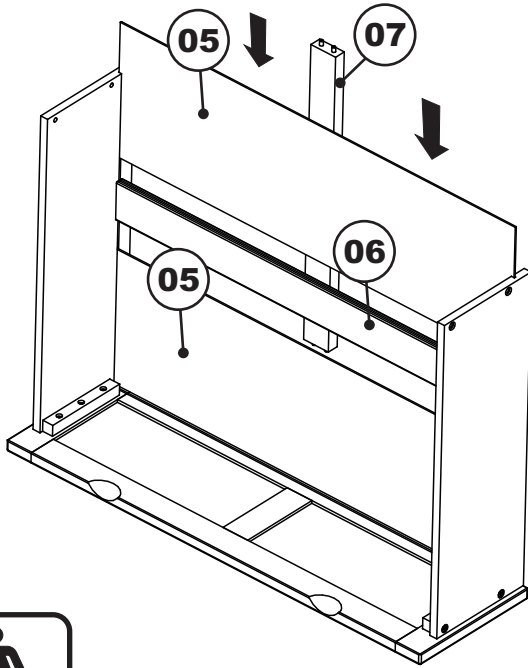
CODE	ITEM
ST-DR2-ISL	G-32804X

PO :

TWIN XL / QUEEN

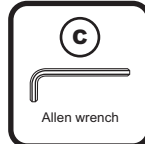
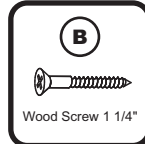
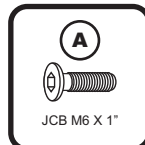
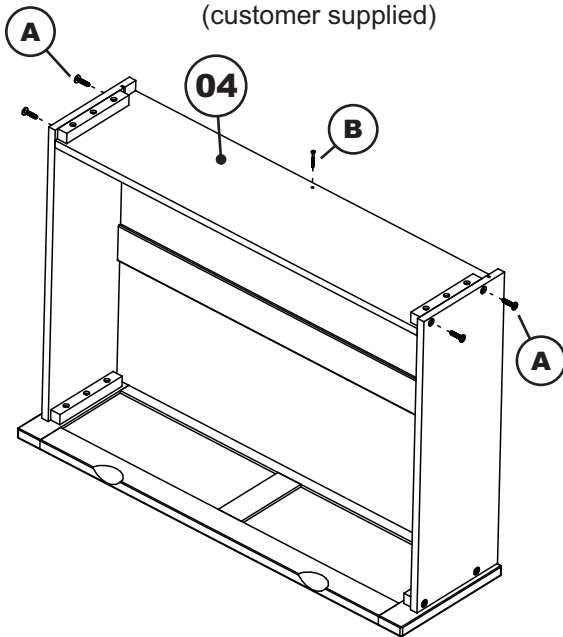
Step 2

Guide the drawer bottoms (05) and drawer middle (06) in carefully so that they align inside grooves. Be sure it fits fully into the face and side groove before attaching the drawer back (04). Attach drawer center support (07) to bottom of drawer face using wood screw 1 1/4" (B). Tighten with Phillips head screw driver. (Customer supplied)



Step 3

Attach drawer back (04) to bed drawer assembly as shown. Use JCB M6 X 1" (A). Tighten with Allen wrench (C). Use wood screws 1 1/4" (B) to finish attaching drawer center support (07) to drawer back (04). Tighten with Phillips head screw driver. (customer supplied)



Congratulations!

Your bed drawer is now ready for use.
We recommend that you periodically recheck that all screws are tight to ensure lasting safety.