

FULL ASSEMBLY INSTRUCTIONS

Before assembling your bed frame, please read through these instructions carefully and familiarize yourself with the different parts.

ATTENTION! If you receive a damaged or defective item, please contact afifurnishings at customerservice@afifurnishings.com or 1-800-955-3726



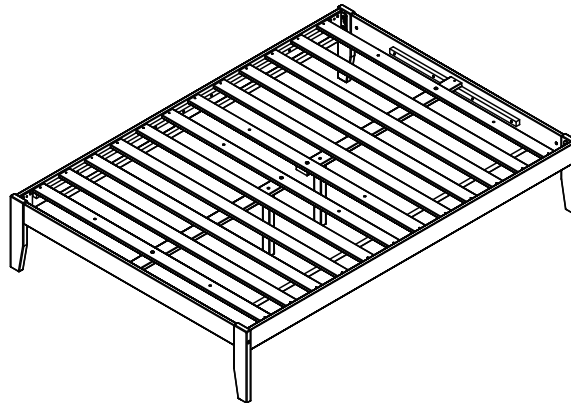
PARTS LIST

- ① RIGHT LEG 2 PCS
- ② LEFT LEG 2 PCS
- ③ FOOT / HEAD RAIL 2 PCS
- ④ SIDE RAIL 2 PCS
- ⑤ SLAT KIT 2 SETS
- ⑥ SLAT SUPPORT 2 PCS
- ⑦ SLAT SUPPORT LEG 2 PCS

HARDWARE

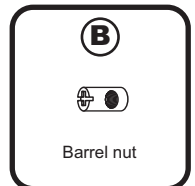
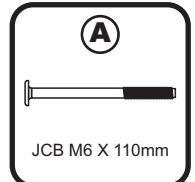
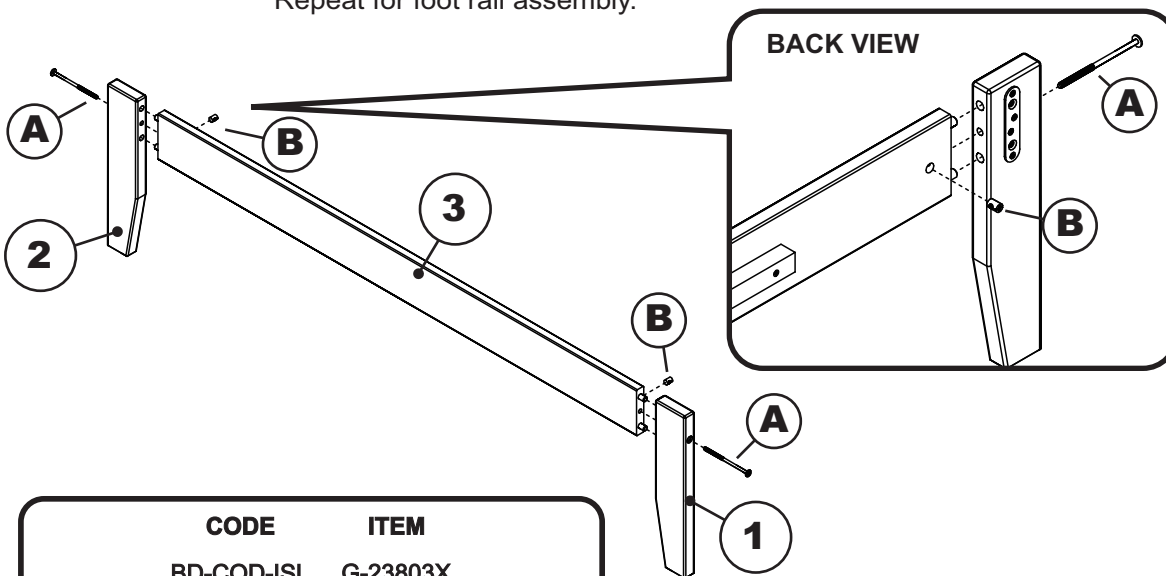
- Ⓐ JCB M6 X 110mm (4 3/8") - 4 pcs
Spare - 1 pc
- Ⓑ Barrel nut - 4 pcs
- Ⓒ JCB M8 X 15mm (5/8") - 8 pcs
- Ⓓ Wood screw (1 1/4") - 26 pcs
Spare - 2 pcs
- Ⓔ JCB M6 X 25mm (1") - 4 pcs
- Ⓖ Allen Screw - 2 pcs
- Ⓗ Allen wrench M6 - 1 pc
- Ⓘ Allen wrench M4 - 1 pc
Spare - 1 pc
- ⓵ Surface Mount Charger - 1 set
Screws 1/2" - 2 pcs
Spare - 1 pc

NOTE: WE INCLUDE SPARE HARDWARE IN CASE DAMAGE OCCURS DURING ASSEMBLY.



Step 1

Attach the right leg (1) and left leg (2) to the head rail (3) using JCB M6 X 110mm (A) and barrel nut (B). Tighten with the Allen wrench M4 (F). Repeat for foot rail assembly.

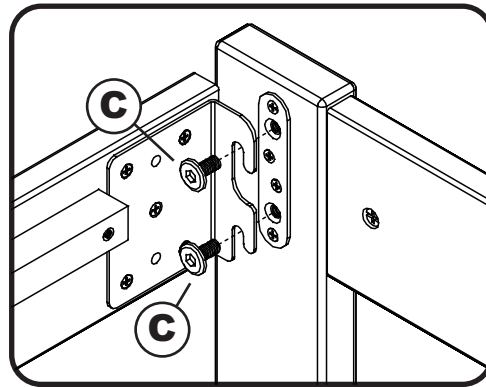
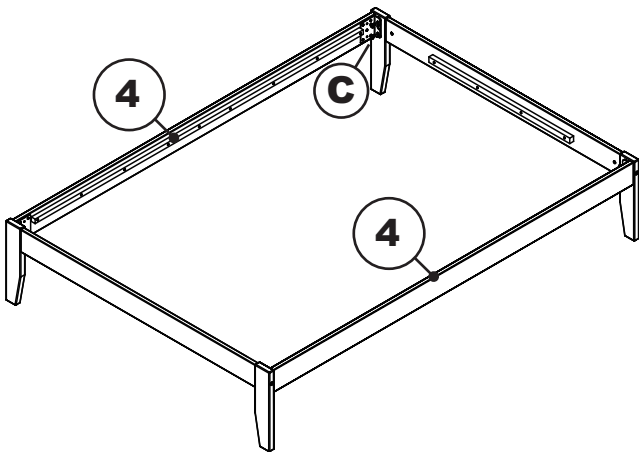


CODE	ITEM
BD-COD-ISL	G-23803X

PO:

Step 2

Attach the foot rail or head rail to side rails (4) using JCB M8 X 15mm (C). Tighten with the Allen wrench M6 (E).



Adult assembly

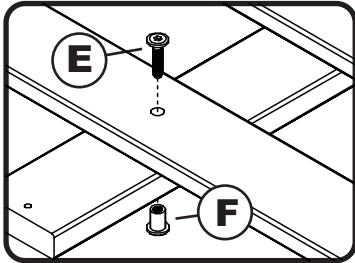
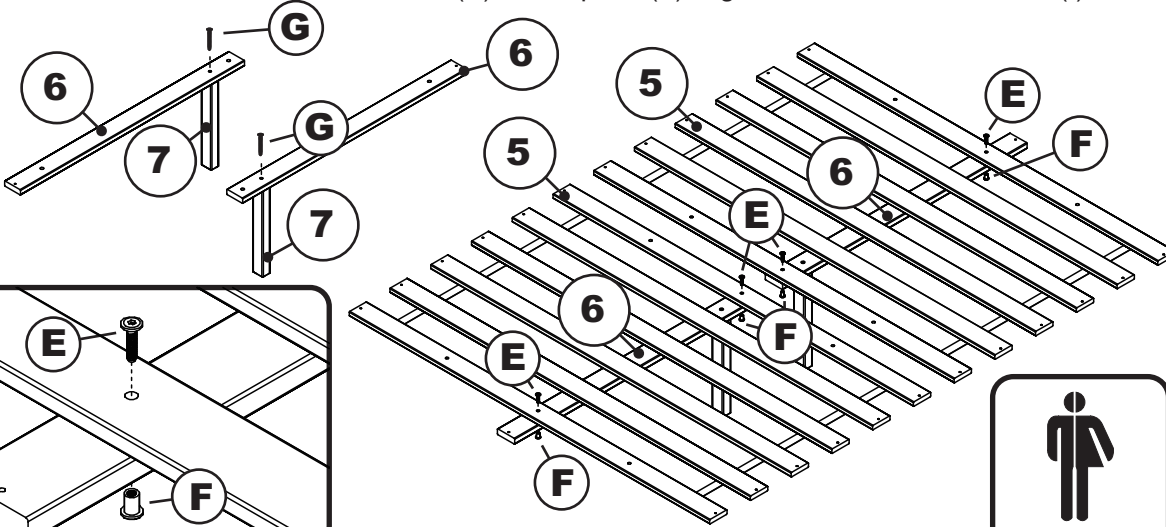
C



JCB M8 X 15mm

Step 3

Attach slat support (6) to slat support leg (7) using Allen screws (G). Tighten with Allen wrench M4 (I). Attach slat support (6) to the slat kit (5) as shown below using JCB M6 X 25mm (E) and cap nut (F). Tighten with Allen wrench M4 (I).



E



JCB M6 X 25mm

F



Cap nut

G



Allen screw



Adult assembly

Step 4

Attach slat kit (5) to the bed frame as shown below using wood screws 1 1/4" (D). Tighten with Phillips head screw driver. (customer supplied)

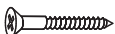
Step 5

Attach the USB charger (J) to the location as shown below using 1/2" screws and tighten with Phillips head screw driver. (customer supplied)

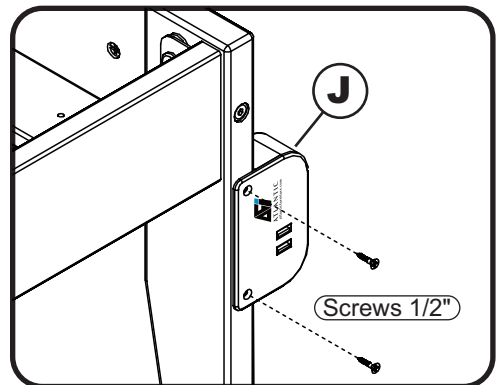
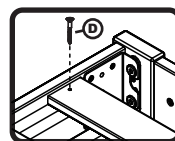
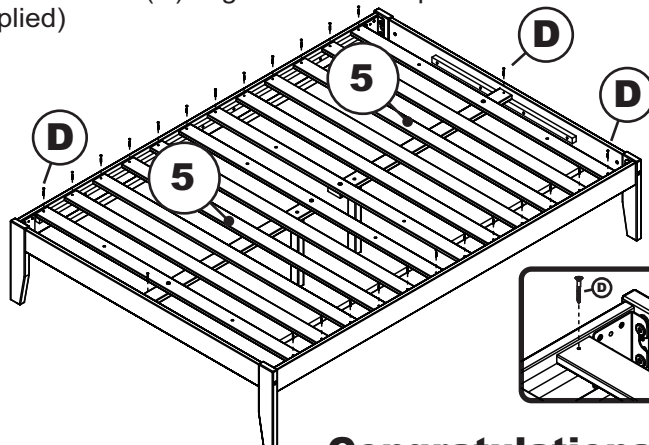


Adult assembly

D



Wood screw



Screws 1/2"

Congratulations!

Your bed is now ready for use.

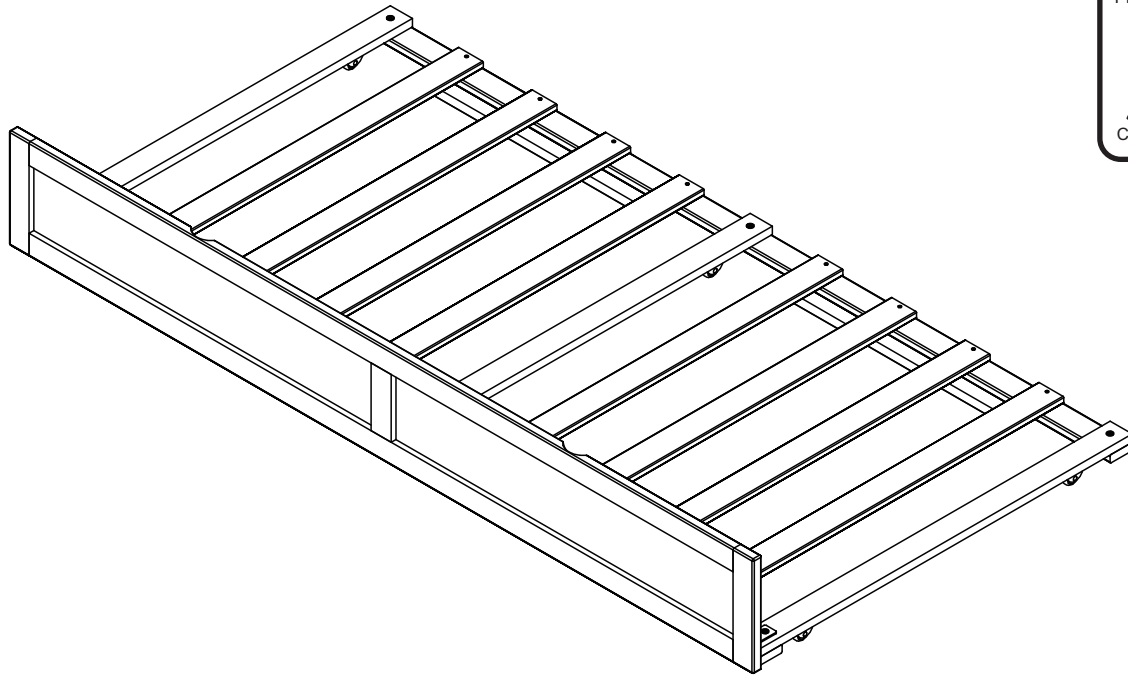
We recommend that you periodically recheck that all screws are tight to ensure lasting safety.

TWIN ASSEMBLY INSTRUCTIONS

Before assembling your Trundle bed, please read through these instructions carefully. Familiarize yourself with the different parts.



ATTENTION! If you receive a damaged or defective item, please contact afifurnishings at customerservice@afifurnishings.com or 1-800-955-3726

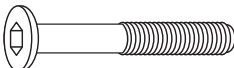


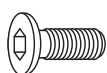
CODE	ITEM
ST-TD-ISL	G-35802X

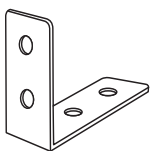
PO :

HARDWARE

NOTE: WE INCLUDE SPARE HARDWARE IN CASE DAMAGE OCCURS DURING ASSEMBLY.

A  JCB M6 X 1 5/8" (40mm) - 9 pcs
Spare - 1 pc

B  JCB M6 X 5/8" (15mm) - 6 pcs
Spare - 1 pc
Fix L bracket to front panel

C  L Bracket - 3 pcs

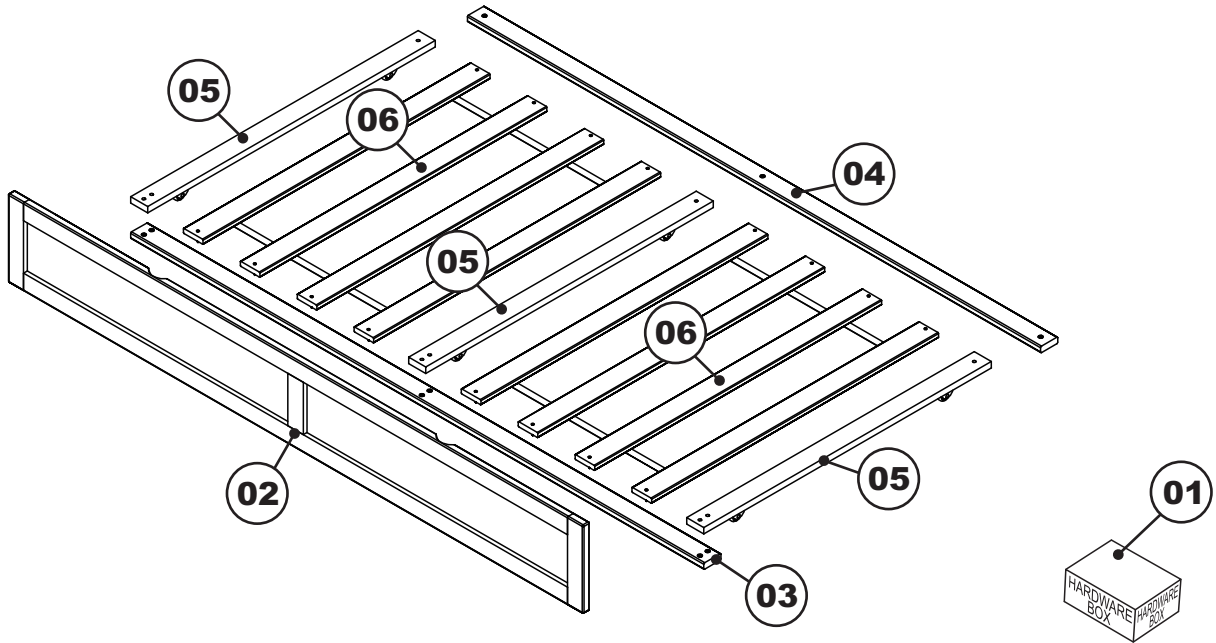
D  Wood screw - 16 pcs
Spare - 2 pcs

E  Allen wrench - 1 pc
Spare - 1 pc

TWIN

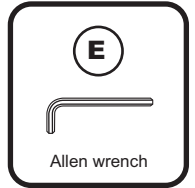
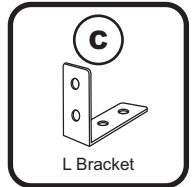
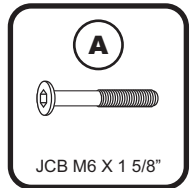
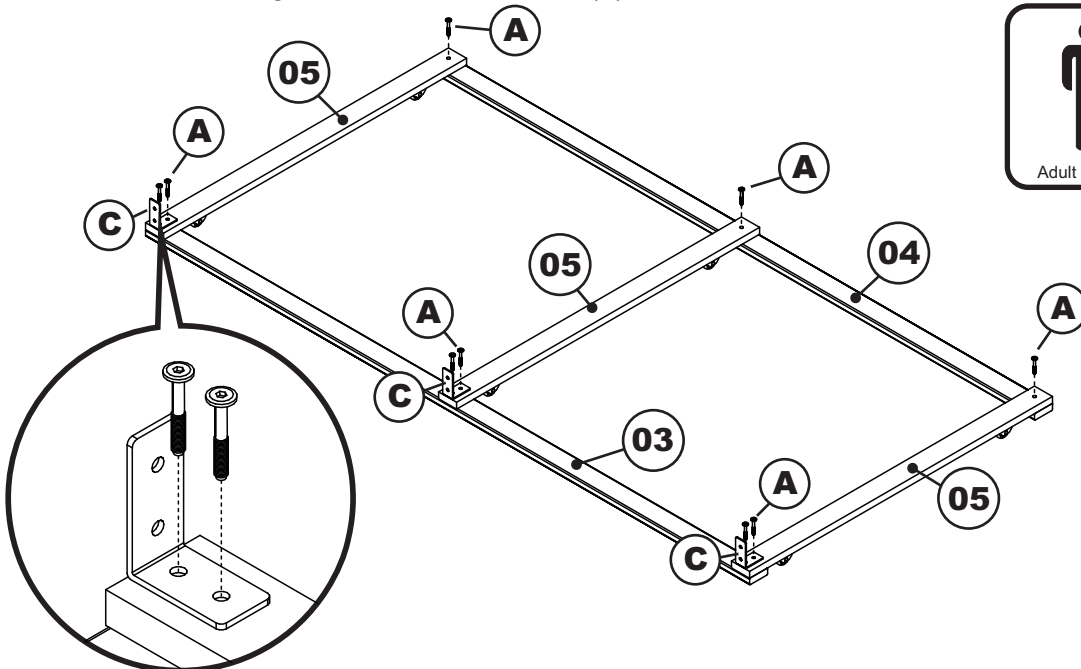
PARTS LIST

- | | | | | | |
|----|-------------|-------|----|-----------------------|--------|
| 01 | HARDWARE | 1 BOX | 05 | LEFT, RIGHT, MID RAIL | 3 PCS |
| 02 | FRONT PANEL | 1 PC | 06 | SLAT KIT WITH WEBBING | 2 SETS |
| 03 | FRONT RAIL | 1 PC | | | |
| 04 | BACK RAIL | 1 PC | | | |



Step 1

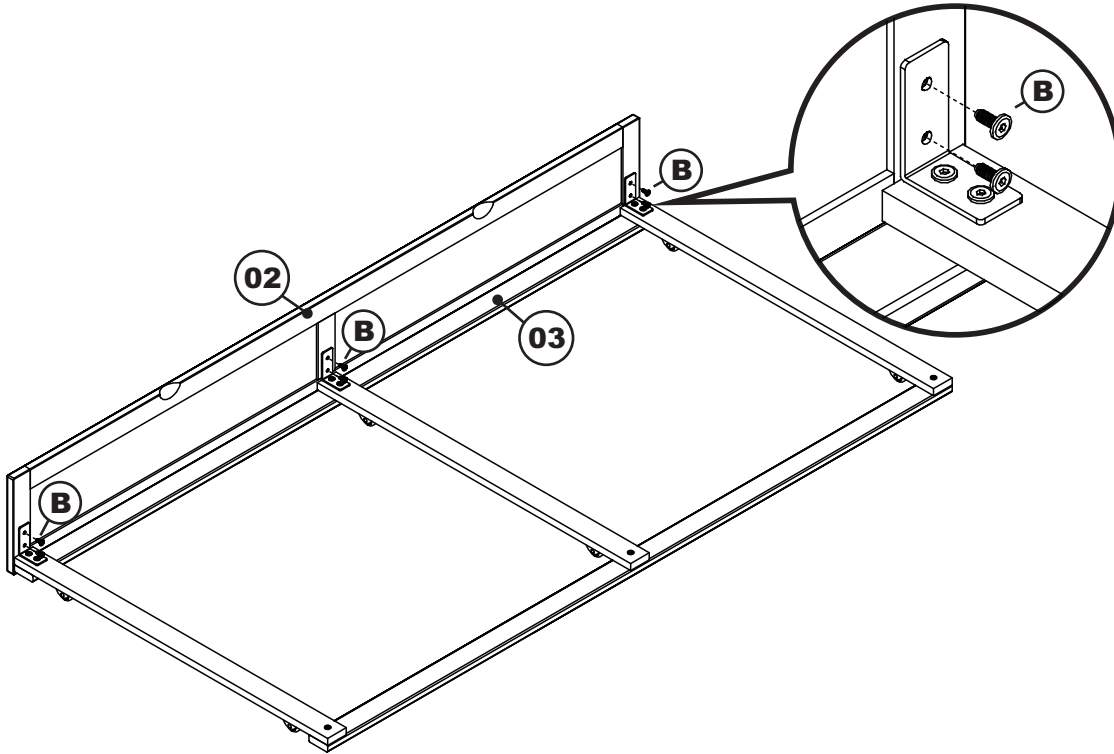
Attach the left, right and mid rails (05) to the front rail (03) using L bracket (C) and JCB M6 X 1 5/8" (A). Attach left, right and mid rails (05) to the back rail (4) using JCB M6 X 1 5/8" (A). Tighten with the Allen wrench (E).



TWIN

Step 2

Attach the front panel (02) to the front rail (03) as shown, using JCB M6 X 5/8" (B). Tighten with the Allen wrench (E).



Adult assembly

B



JCB M6 X 5/8"

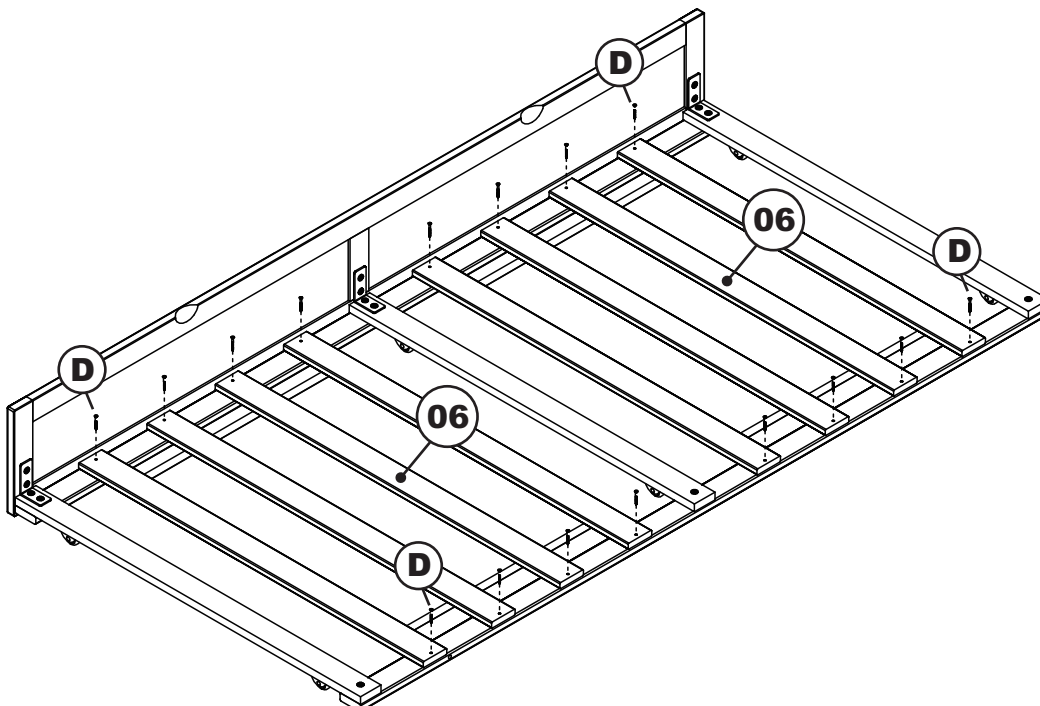
E



Allen wrench

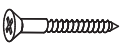
Step 3

Lay the slat kits (06) webbing side down onto the rail assembly as shown. Attach using wood screw (D) and tighten with the Phillips head screw driver. (customer supplied)



Adult assembly

D



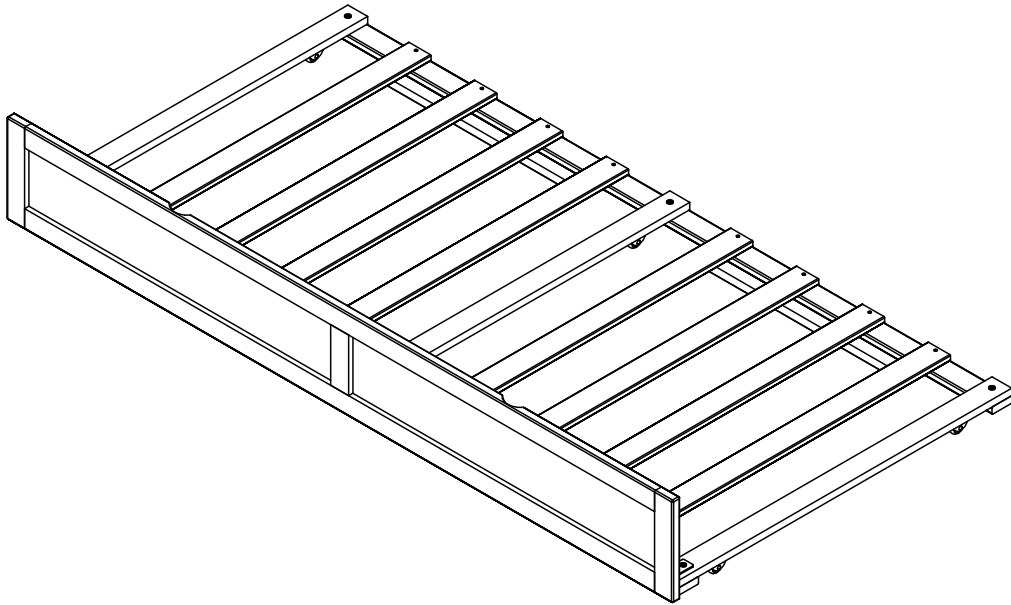
Wood screw

Phillips screwdriver



Customer supplied

TWIN



Congratulations!

Your Trundle bed is now ready for use.
We recommend that you periodically check that all screws are tight
and all parts are secure to ensure lasting safety.

Step 4

Lastly, Insert Trundle bed to the bed as shown below.

