

TWIN > TWIN XL

## ASSEMBLY INSTRUCTIONS

Before assembling your bed frame, please read through these instructions carefully and familiarize yourself with the different parts.

**ATTENTION!** If you receive a damaged or defective item, please contact [afifurnishings.com](mailto:customerservice@afifurnishings.com) at [customerservice@afifurnishings.com](mailto:customerservice@afifurnishings.com) or 1-800-955-3726



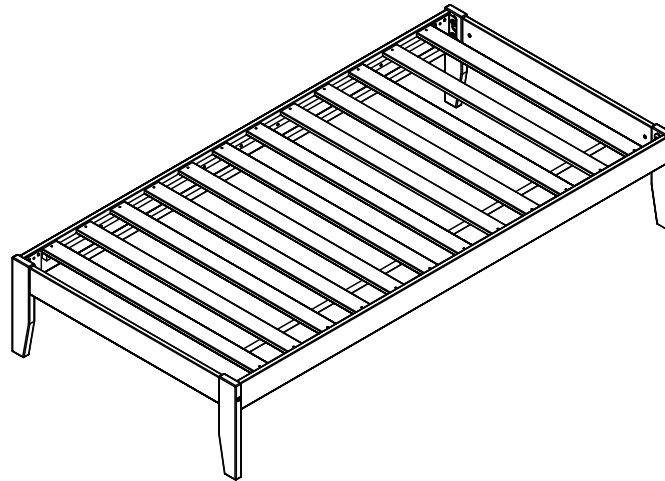
### PARTS LIST

- ① RIGHT LEG 2 PCS
- ② LEFT LEG 2 PCS
- ③ FOOT / HEAD RAIL 2 PCS
- ④ SIDE RAIL 2 PCS
- ⑤ SLAT KIT 2 SETS

### HARDWARE

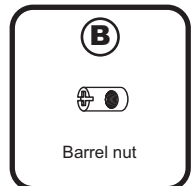
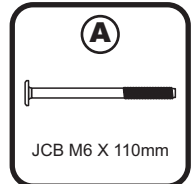
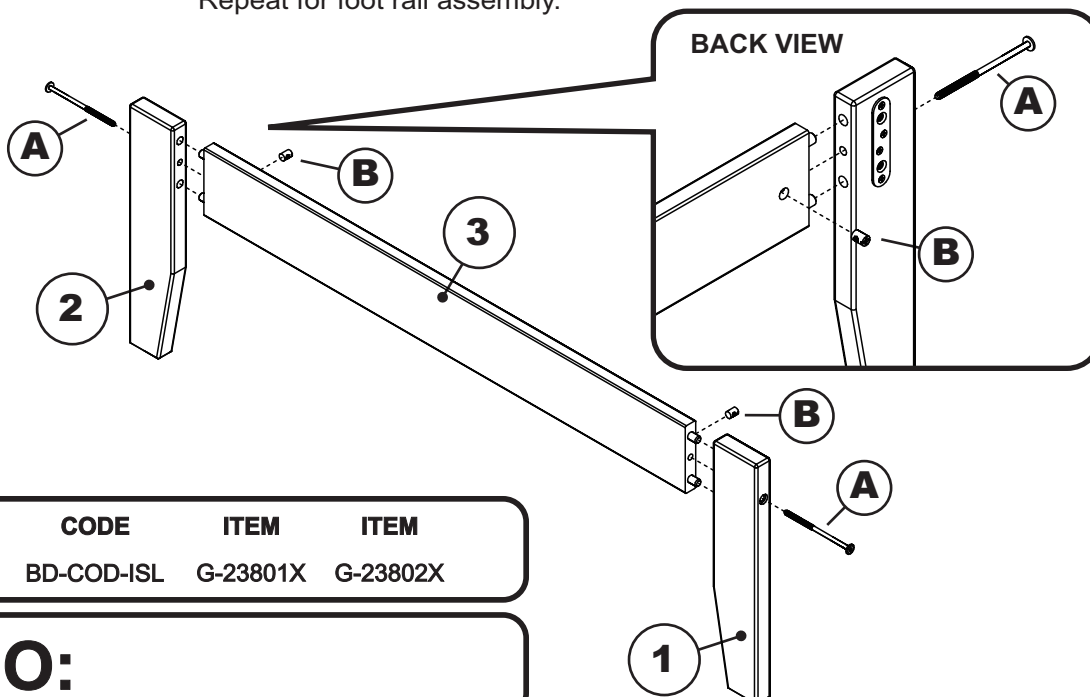
- Ⓐ JCB M6 X 110mm (4 3/8") - 4 pcs  
Spare - 1 pc
- Ⓑ Barrel nut - 4 pcs
- Ⓒ JCB M8 X 15mm (5/8") - 8 pcs
- Ⓓ Wood screw (1 1/4") - 24 pcs  
Spare - 2 pcs
- Ⓔ Allen wrench M4 - 1pc  
Spare - 1pc
- Ⓕ Allen wrench M6 - 1pc
- Ⓖ Surface Mount Charger - 1 set  
Screws 1/2" - 2 pcs  
Spare - 1 pc

NOTE: WE INCLUDE SPARE HARDWARE IN CASE DAMAGE OCCURS DURING ASSEMBLY.



### Step 1

Attach the right leg (1) and left leg (2) to the head rail (3) using JCB M6 X 110mm (A) and barrel nut (B). Tighten with the Allen wrench M4 (F). Repeat for foot rail assembly.

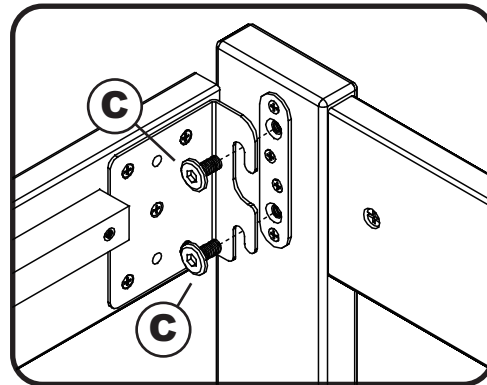
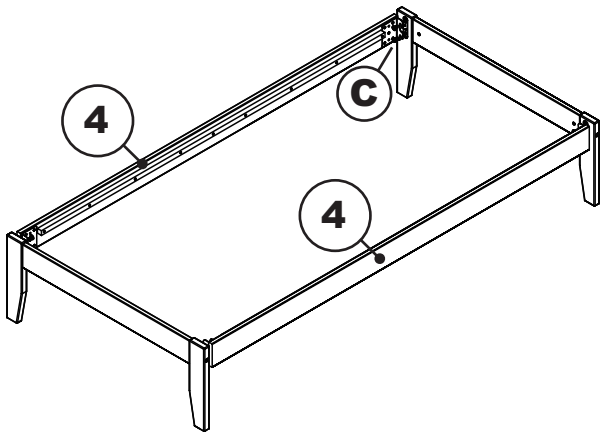


CODE	ITEM	ITEM
BD-COD-ISL	G-23801X	G-23802X

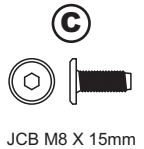
**PO:**

## Step 2

Attach the foot rail or head rail to side rails (4) using JCB M8 X 15mm (C). Tighten with the Allen wrench M6 (E).



Adult assembly

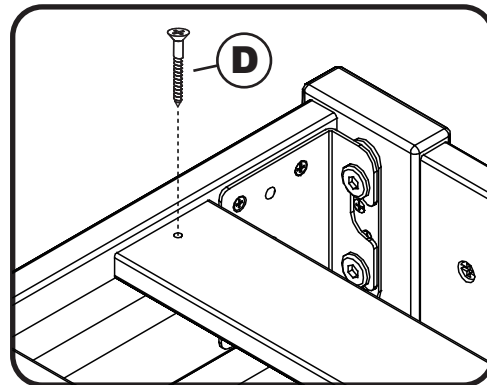
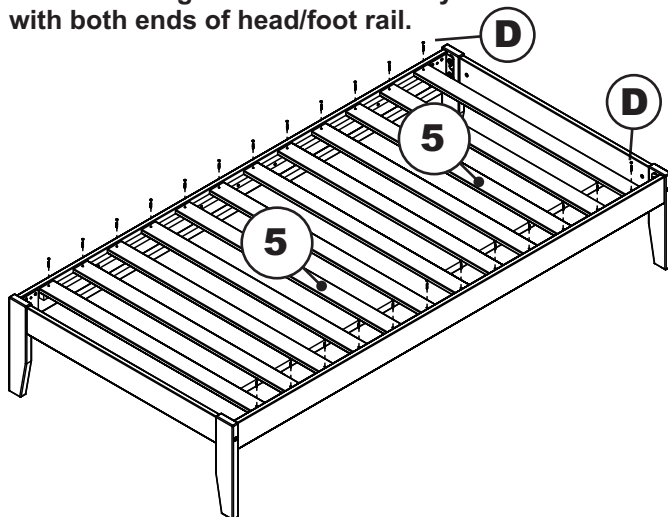


JCB M8 X 15mm

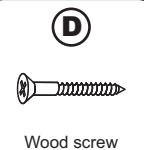
## Step 3

Attach slat kit (5) to the bed frame as shown below using wood screws 1 1/4" (D). Tighten with Phillips head screw driver. (customer supplied)

Be sure to align slat section evenly with both ends of head/foot rail.



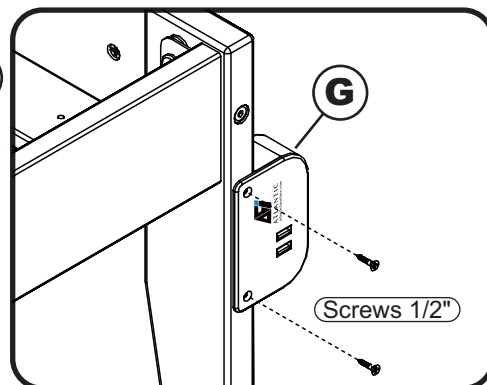
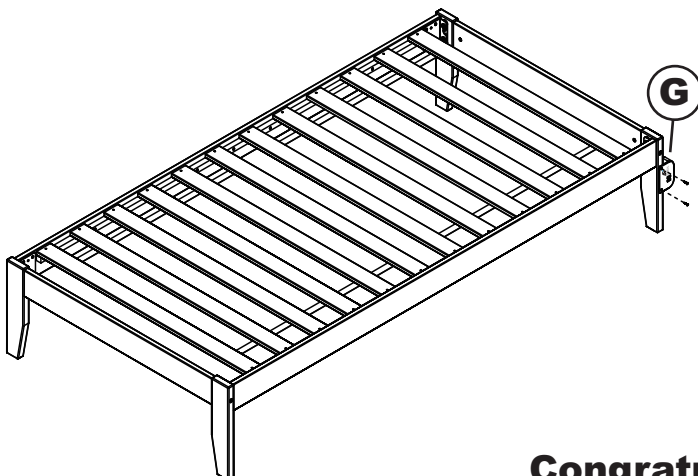
Adult assembly



Wood screw

## Step 4

Attach the USB charger (G) to the location as shown below using 1/2" screws and tighten with Phillips head screw driver. (customer supplied)



Adult assembly

### Congratulations!

Your bed is now ready for use.

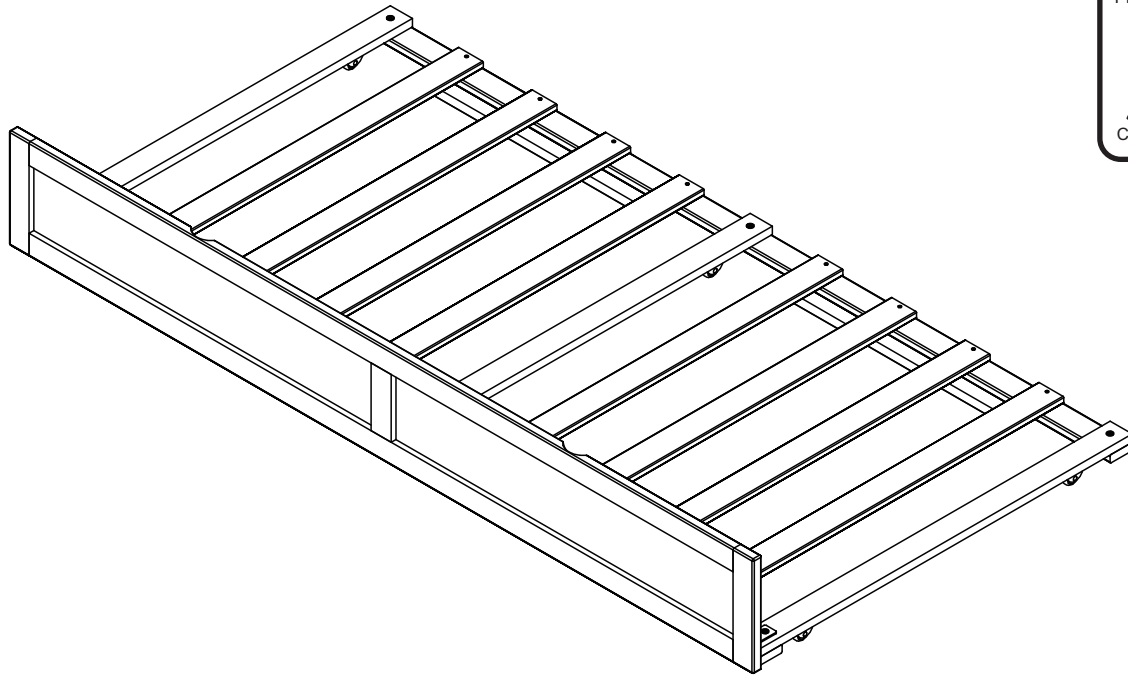
We recommend that you periodically recheck that all screws are tight to ensure lasting safety.

## TWIN ASSEMBLY INSTRUCTIONS

Before assembling your Trundle bed, please read through these instructions carefully. Familiarize yourself with the different parts.



**ATTENTION!** If you receive a damaged or defective item, please contact afifurnishings at [customerservice@afifurnishings.com](mailto:customerservice@afifurnishings.com) or 1-800-955-3726

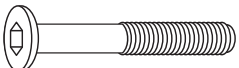


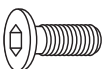
CODE	ITEM
ST-TD-ISL	G-35802X

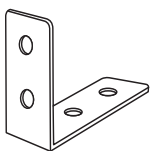
**PO :**

## HARDWARE

NOTE: WE INCLUDE SPARE HARDWARE IN CASE DAMAGE OCCURS DURING ASSEMBLY.

**A**  JCB M6 X 1 5/8" ( 40mm ) - 9 pcs  
Spare - 1 pc

**B**  JCB M6 X 5/8" ( 15mm ) - 6 pcs  
Spare - 1 pc  
Fix L bracket to front panel

**C**  L Bracket - 3 pcs

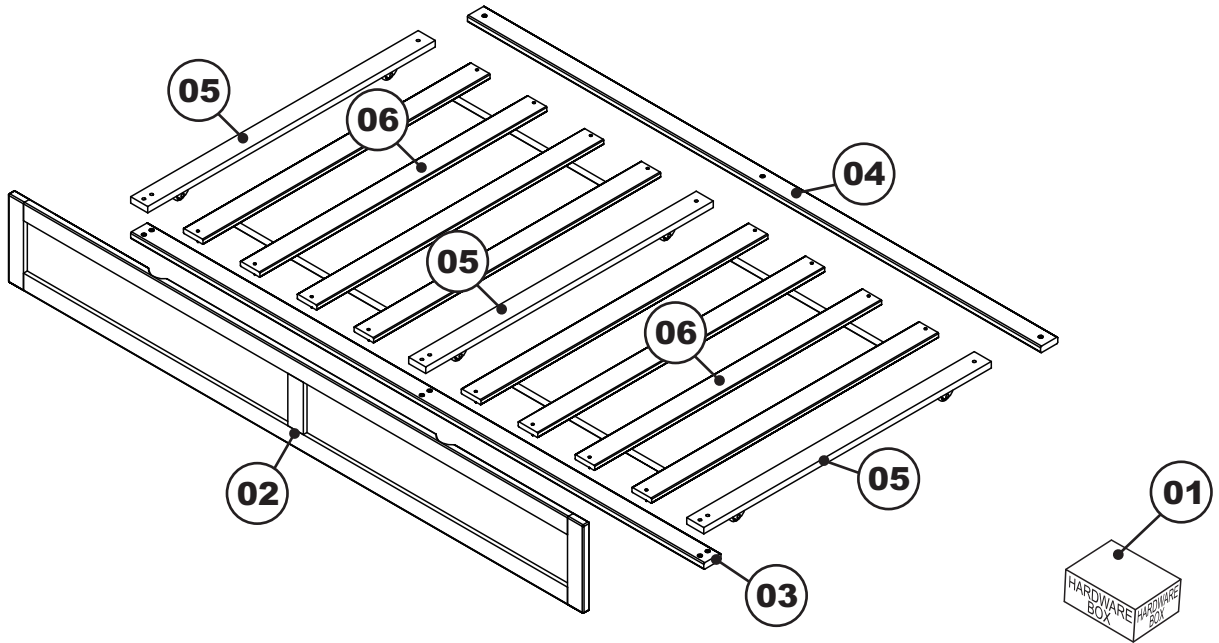
**D**  Wood screw - 16 pcs  
Spare - 2 pcs

**E**  Allen wrench - 1 pc  
Spare - 1 pc

TWIN

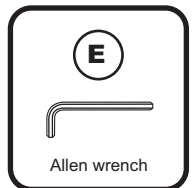
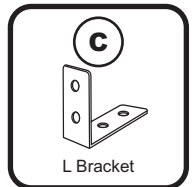
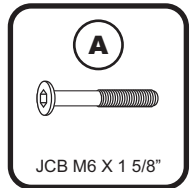
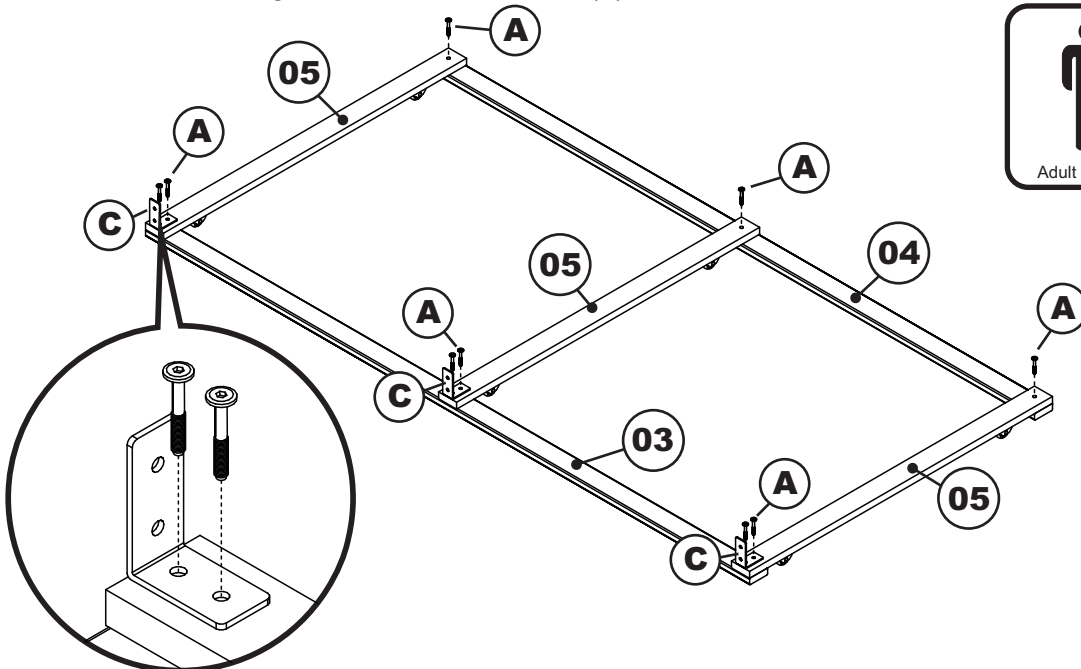
PARTS LIST

- |    |             |       |    |                       |        |
|----|-------------|-------|----|-----------------------|--------|
| 01 | HARDWARE    | 1 BOX | 05 | LEFT, RIGHT, MID RAIL | 3 PCS  |
| 02 | FRONT PANEL | 1 PC  | 06 | SLAT KIT WITH WEBBING | 2 SETS |
| 03 | FRONT RAIL  | 1 PC  |    |                       |        |
| 04 | BACK RAIL   | 1 PC  |    |                       |        |



**Step 1**

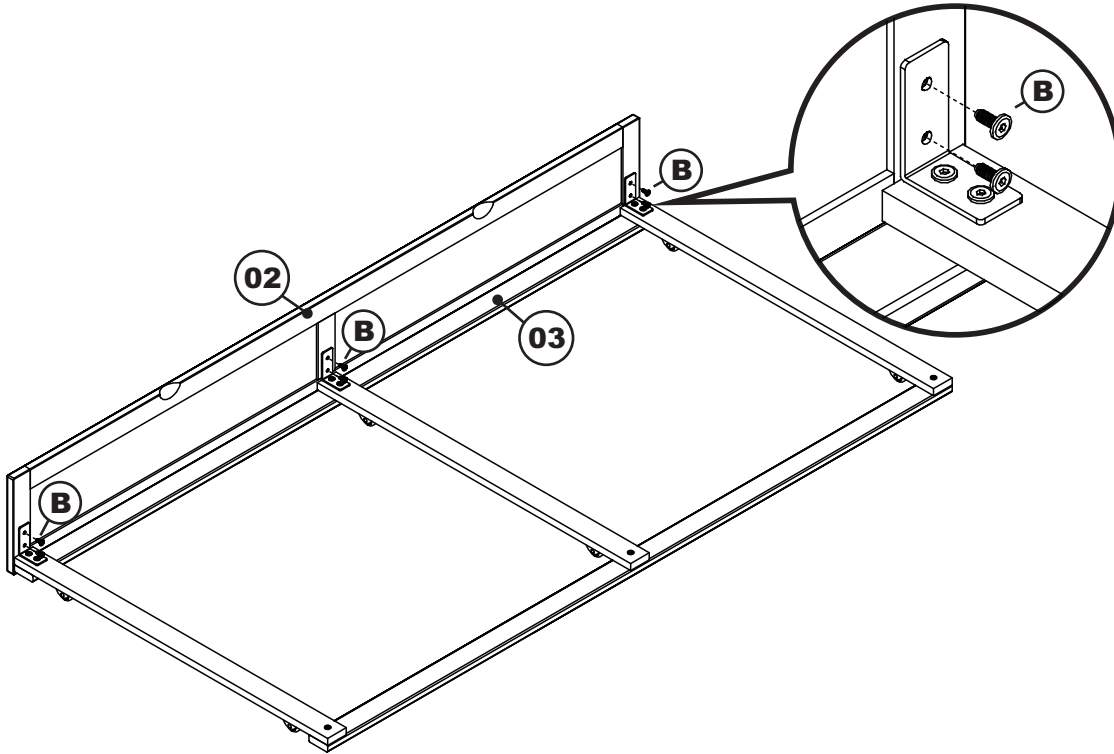
Attach the left, right and mid rails (05) to the front rail (03) using L bracket (C) and JCB M6 X 1 5/8" (A). Attach left, right and mid rails (05) to the back rail (4) using JCB M6 X 1 5/8" (A). Tighten with the Allen wrench (E).



## TWIN

### Step 2

Attach the front panel (02) to the front rail (03) as shown, using JCB M6 X 5/8" (B). Tighten with the Allen wrench (E).



Adult assembly

B



JCB M6 X 5/8"

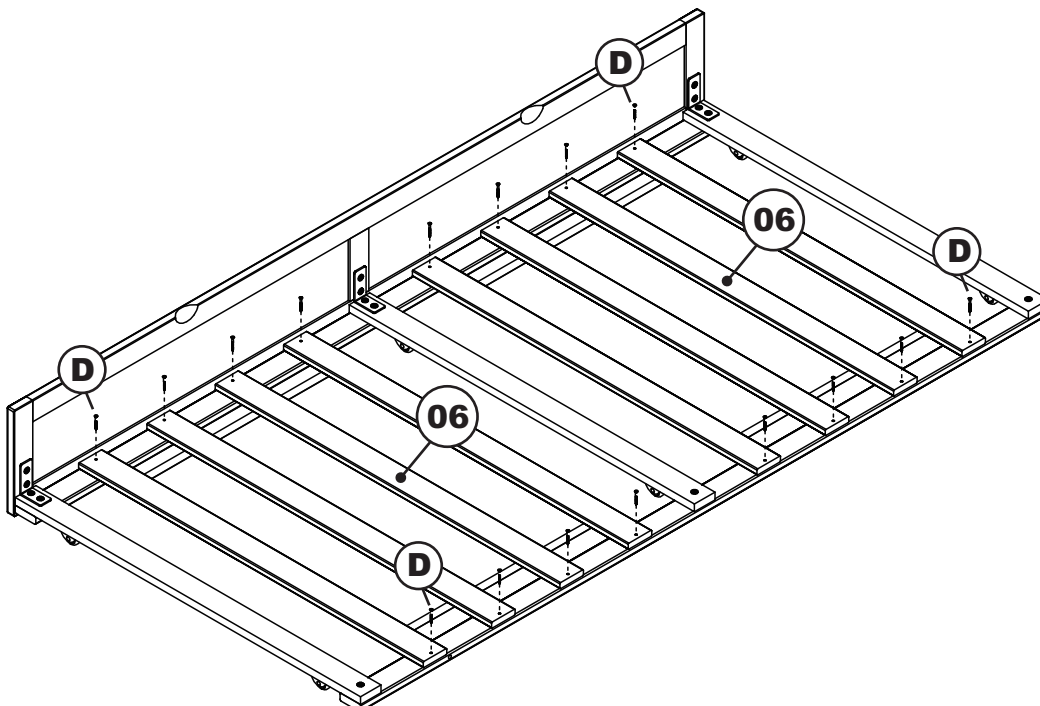
E



Allen wrench

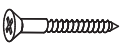
### Step 3

Lay the slat kits (06) webbing side down onto the rail assembly as shown. Attach using wood screw (D) and tighten with the Phillips head screw driver. (customer supplied)



Adult assembly

D



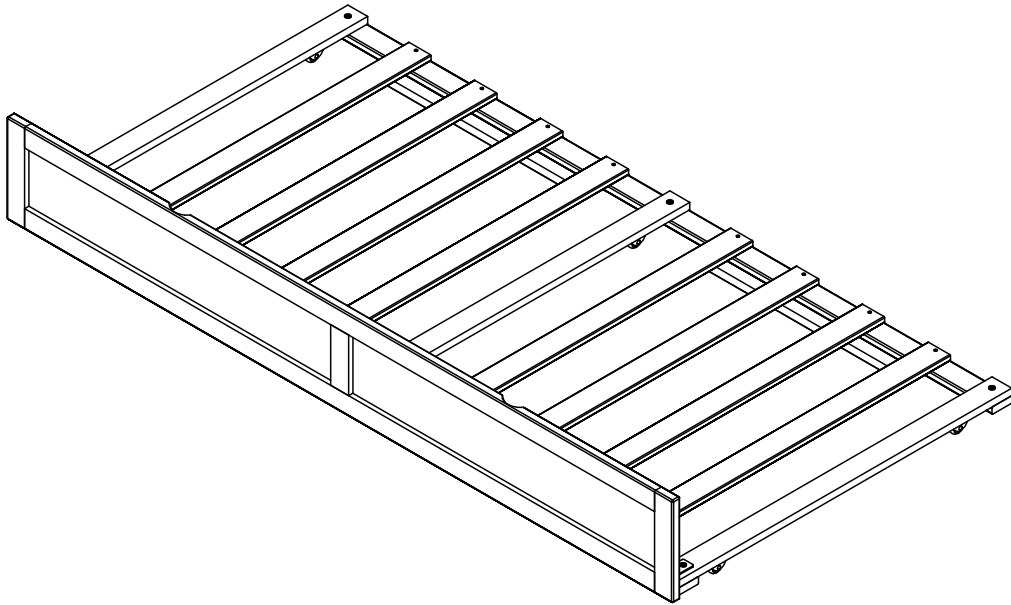
Wood screw

Phillips screwdriver



Customer supplied

## TWIN



### **Congratulations!**

Your Trundle bed is now ready for use.  
We recommend that you periodically check that all screws are tight  
and all parts are secure to ensure lasting safety.

### **Step 4**

Lastly, Insert Trundle bed to the bed as shown below.

