

## ASSEMBLY INSTRUCTIONS

Before assembling your headboard, please read through these instructions carefully and familiarize yourself with the different parts.

**ATTENTION!** If you receive a damaged or defective item, please contact afifurnishings at [customerservice@afifurnishings.com](mailto:customerservice@afifurnishings.com) or 1-800-955-3726



### PARTS LIST

- ① TOP / BOTTOM RAIL 2 PCS
- ② SLAT 10 PCS
- ③ WIDE SLAT 1 PC
- ④ LEFT POST 1 PC
- ⑤ RIGHT POST 1 PC
- ⑥ FOOTBOARD PANEL 1 PC
- ⑦ LEFT LEG 1 PC
- ⑧ RIGHT LEG 1 PC

Instructions apply for bed sizes  
**QUEEN**

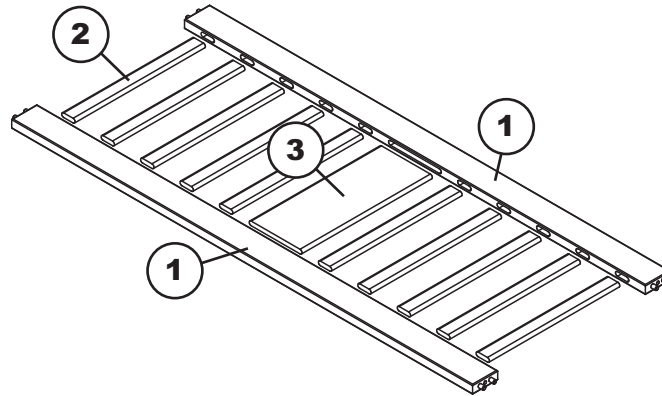
### HARDWARE

- Ⓐ JCB M6 X 110mm - 8 pcs  
Spare - 1 pc
- Ⓑ Barrel Nut - 8 pcs
- Ⓒ JCB M8 X 15mm ( 5/8" ) - 8 pcs  
*Assembly headboard and footboard to side rails*
- Ⓓ Allen wrench - 1pc  
Spare - 1pc
- Ⓔ Allen wrench M6 - 1pc

NOTE: WE INCLUDE SPARE HARDWARE IN CASE DAMAGE OCCURS DURING ASSEMBLY.

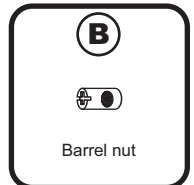
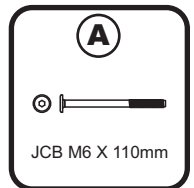
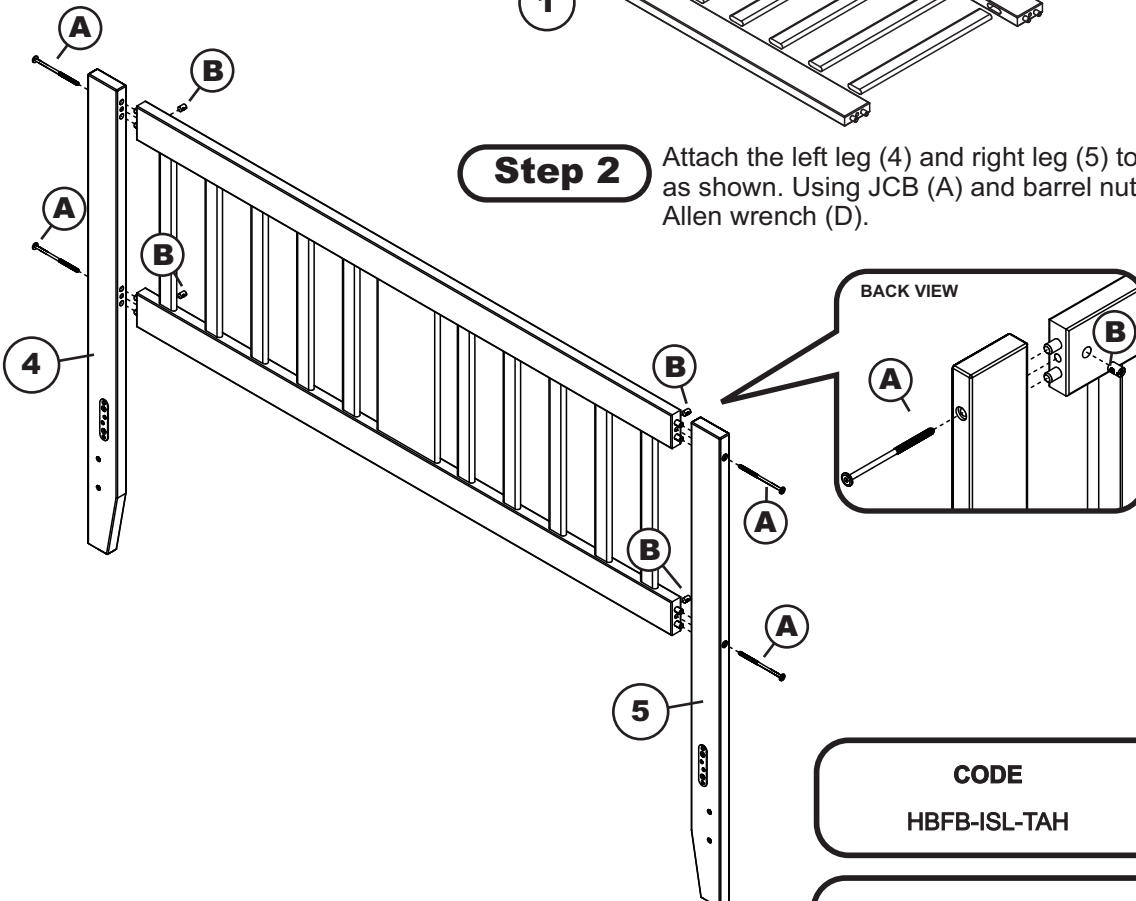
### Step 1

Attach the slat (2) and wide slat (3) to the top and bottom rail (1) as shown.



### Step 2

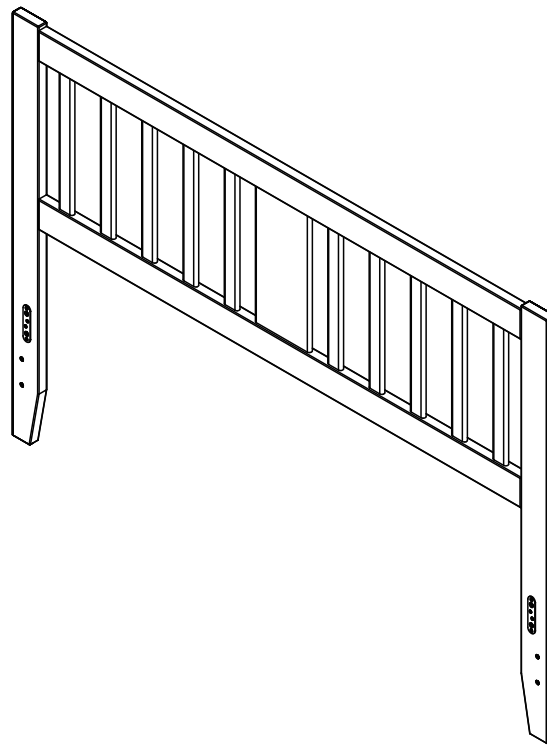
Attach the left leg (4) and right leg (5) to the rail assembly as shown. Using JCB (A) and barrel nut (B). Tighten with Allen wrench (D).



CODE	ITEM
HBFB-ISL-TAH	G-12894X

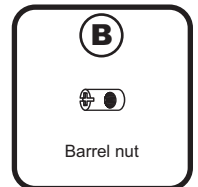
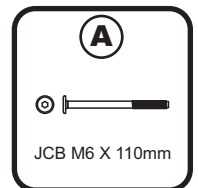
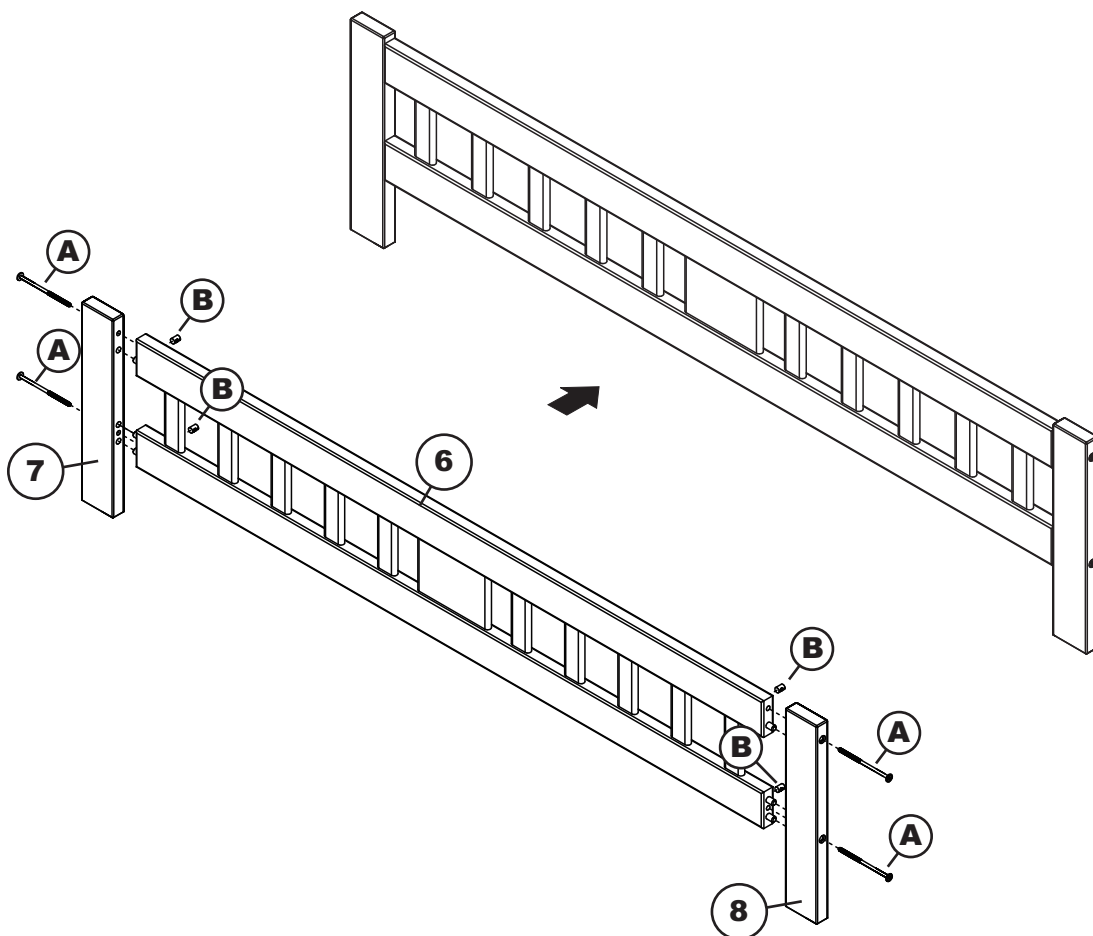
**PO:**

QUEEN



**Step 3**

Attach the left right leg (7)(8) to the footboard panel (6) as shown below, using JCB (A) and barrel nut (B). Tighten with Allen wrench (D).



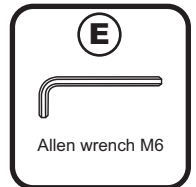
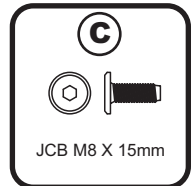
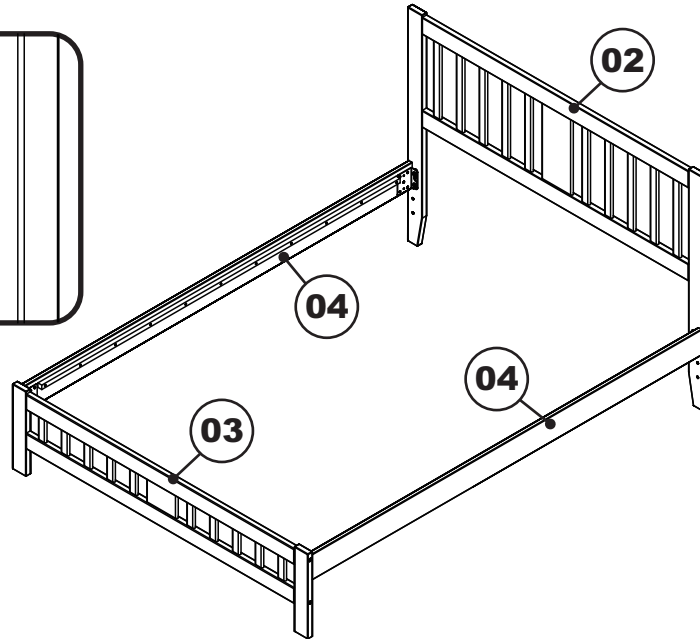
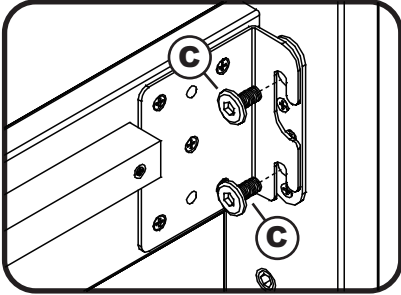
QUEEN

- 01 HARDWARE
  - 02 HEADBOARD
  - 03 FOOTBOARD
- BOX 1

- 01 HARDWARE
  - 04 SIDE RAILS
  - 05 SLAT KIT
- BOX 2

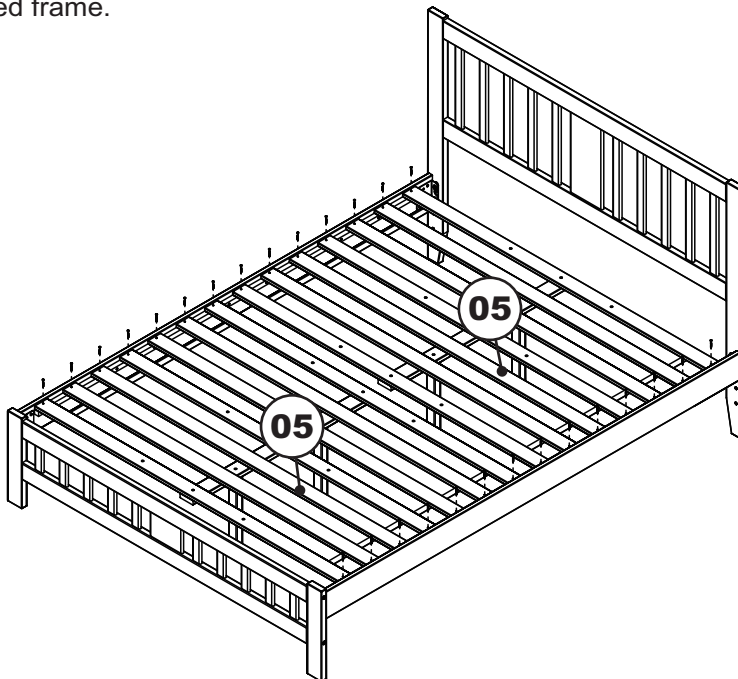
**Step 1**

Attach the side rails (04) to the headboard (02) and footboard (03) using JCB M8 X 15mm (C). Tighten with Allen wrench M6 (E).



**Step 2**

Attach slat kit (05) onto the bed using wood screws. Tighten with Phillips head screw driver. (customer supplied) For assembly of slat kit, follow the assembly instructions included with bed frame.



**Congratulations!**

Your bed is now ready for use.

We recommend that you periodically recheck that all screws are tight to ensure lasting safety.

## QUEEN

### ASSEMBLY INSTRUCTIONS

Before assembling your bed frame, please read through these instructions carefully and familiarize yourself with the different parts.



**ATTENTION!** If you receive a damaged or defective item, please contact afifurnishings at customerservice@afifurnishings.com or 1-800-955-3726

#### PARTS LIST

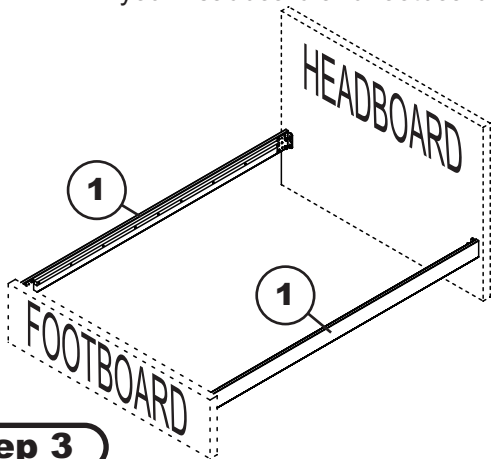
- ① **SIDE RAIL** 2 PCS
- ② **SLAT KIT** 2 SETS
- ③ **SLAT SUPPORT** 2 PCS
- ④ **SLAT SUPPORT LEG** 4 PCS

- #### HARDWARE
- Ⓐ Wood screw (1 1/4") - 12 pcs
  - Ⓑ JCB M6 X 30mm - 6 pcs
  - Ⓒ Cap nut - 6 pcs
  - Ⓓ JCB M8 X 40mm - 4 pcs
  - Ⓔ Split washer - 4 pcs
  - Ⓕ Flat washer - 4 pcs
  - Spare - 1 pc
  - Spare - 1 pc
  - Spare - 1 pc

NOTE: WE INCLUDE SPARE HARDWARE IN CASE DAMAGE OCCURS DURING ASSEMBLY.

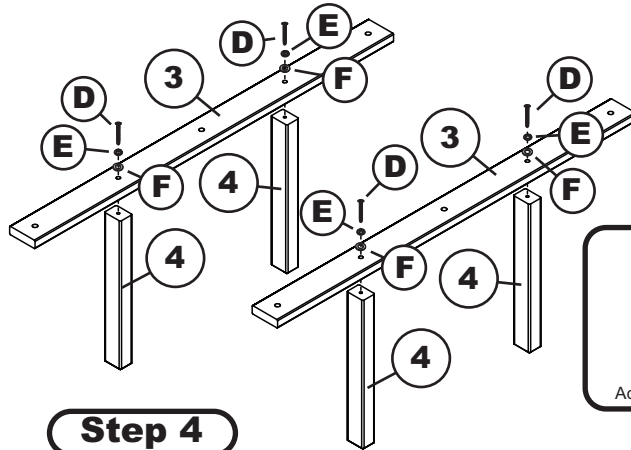
#### Step 1

Attach side rails (1) to the headboard and footboard. For assembly, follow the assembly instructions included with your headboard and footboard.



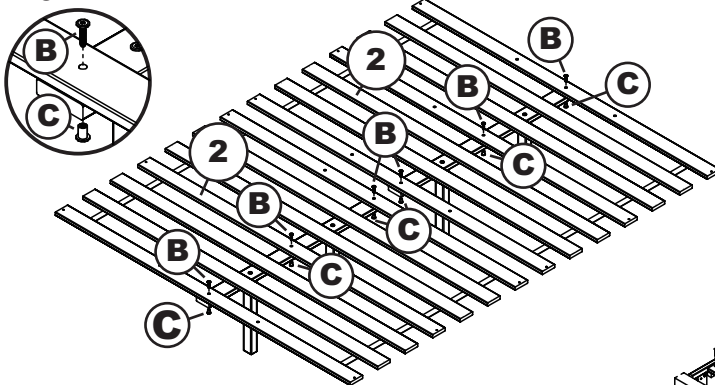
#### Step 2

Attach slat support legs (4) to slat support (3) as shown below using JCB M8 X 40mm (D) split and flat washer (E)(F) tighten with Allen wrench M6.



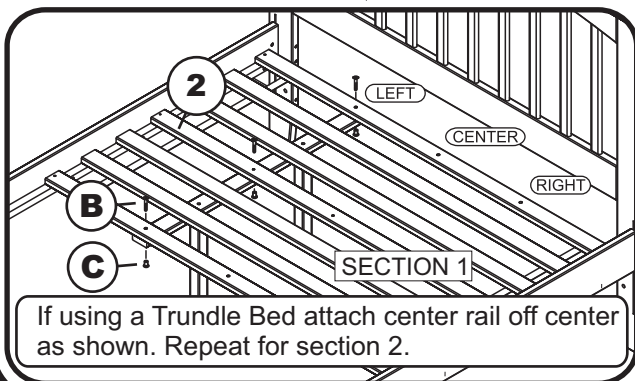
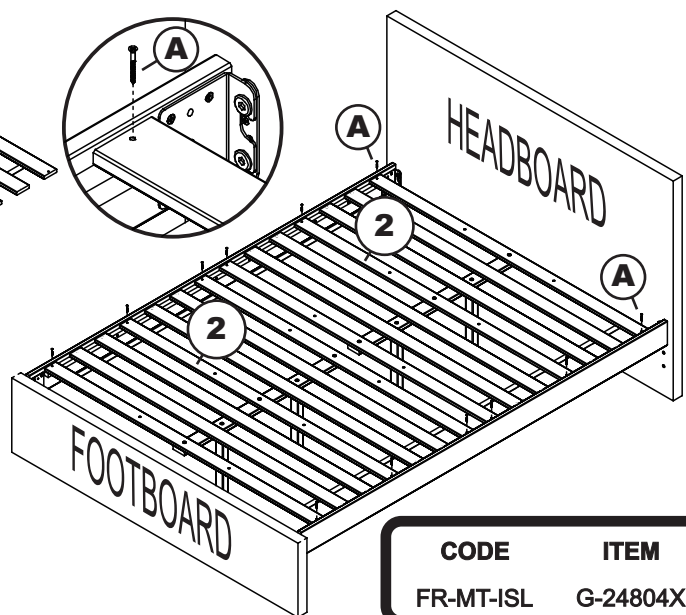
#### Step 3

Attach slat support (3) to the slat kit (2) as shown below using JCB M6 X 30mm (B) and cap nut (C). Tighten with Allen wrench M4.



#### Step 4

Attach the slat kit (2) onto the bed using wood screws 1 1/4" (A). Tighten with Phillips head screw driver. (customer supplied)



If using a Trundle Bed attach center rail off center as shown. Repeat for section 2.

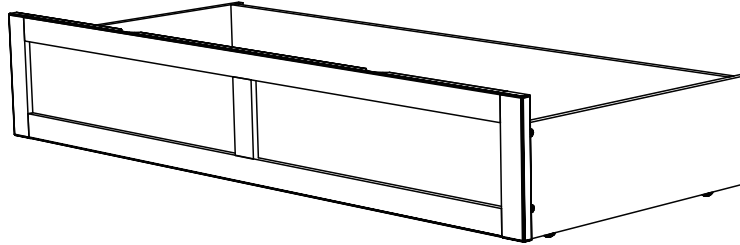
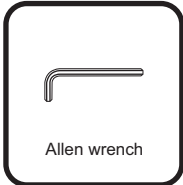
CODE	ITEM
FR-MT-ISL	G-24804X

**PO:**

## QUEEN ASSEMBLY INSTRUCTIONS

Before assembling your bed drawer, please read through these instructions carefully, familiarize yourself with the different parts.

**ATTENTION!** If you receive a damaged or defective item, please contact afifurnishings at customerservice@afifurnishings.com or 1-800-955-3726

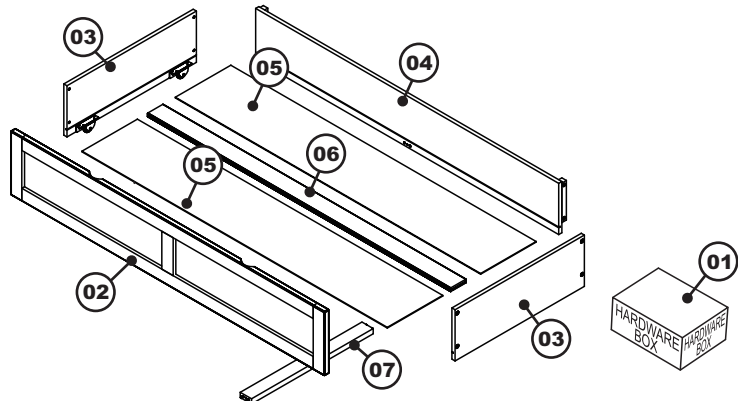


**NOTE: WE INCLUDE SPARE HARDWARE IN CASE DAMAGE OCCURS DURING ASSEMBLY.**

HARDWARE		
		
<b>A</b> JCB M6 X 1" ( 25mm ) - 8 pcs Spare - 1 pc	<b>B</b> Wood Screw X 1 1/4" ( 32mm ) - 2 pcs Spare - 1 pc	<b>C</b> Allen wrench - 1 pc Spare - 1 pc

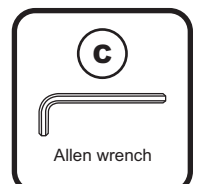
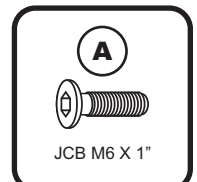
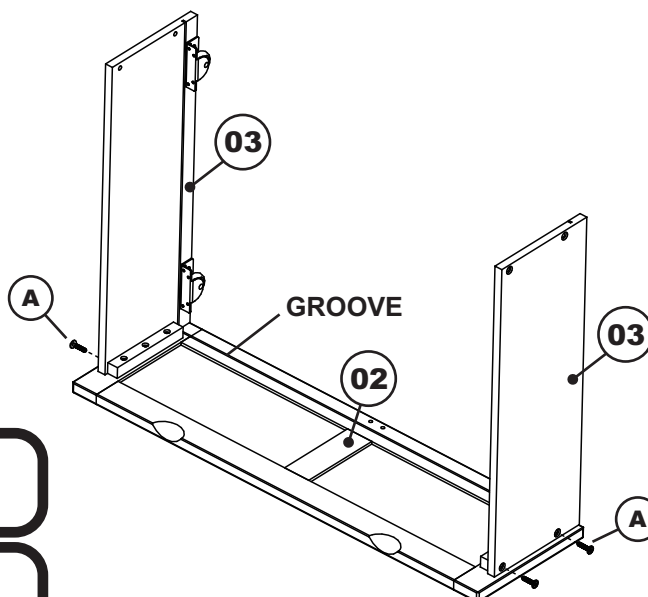
### PARTS LIST

- |           |                              |              |
|-----------|------------------------------|--------------|
| <b>01</b> | <b>HARDWARE</b>              | <b>1 BOX</b> |
| <b>02</b> | <b>DRAWER FACE</b>           | <b>1 PC</b>  |
| <b>03</b> | <b>DRAWER SIDE</b>           | <b>2 PCS</b> |
| <b>04</b> | <b>DRAWER BACK</b>           | <b>1 PC</b>  |
| <b>05</b> | <b>DRAWER BOTTOM</b>         | <b>2 PCS</b> |
| <b>06</b> | <b>DRAWER MIDDLE</b>         | <b>1 PC</b>  |
| <b>07</b> | <b>DRAWER CENTER SUPPORT</b> | <b>1 PC</b>  |



### Step 1

Lay the drawer face (02) on smooth, flat surface so the drawer bottom (05) groove is facing upwards. Attach the drawer sides (03) to drawer face (02) using JCB M6 X 1" (A). Align groove inside drawer side with groove in drawer face. Tighten with Allen wrench (C).



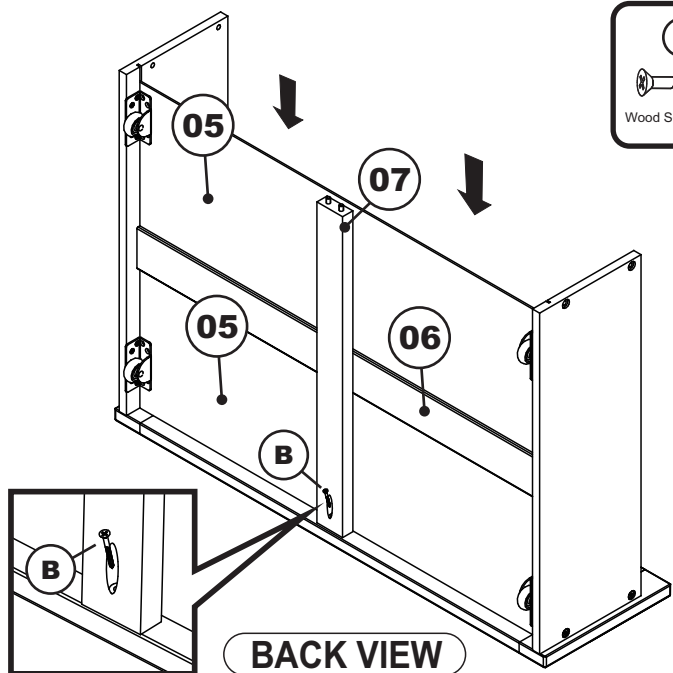
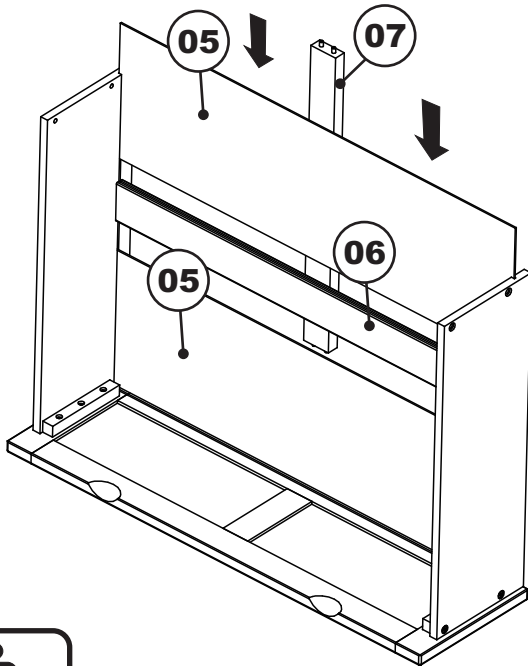
CODE	ITEM
ST-DR1-ISL	G-31804X

**PO :**

## QUEEN

### Step 2

Guide the drawer bottoms (05) and drawer middle (06) in carefully so that they align inside grooves. Be sure it fits fully into the face and side groove before attaching the drawer back (04). Attach drawer center support (07) to bottom of drawer face using wood screw 1 1/4" (B). Tighten with Phillips head screw driver. (Customer supplied)



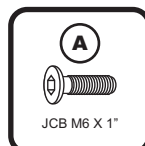
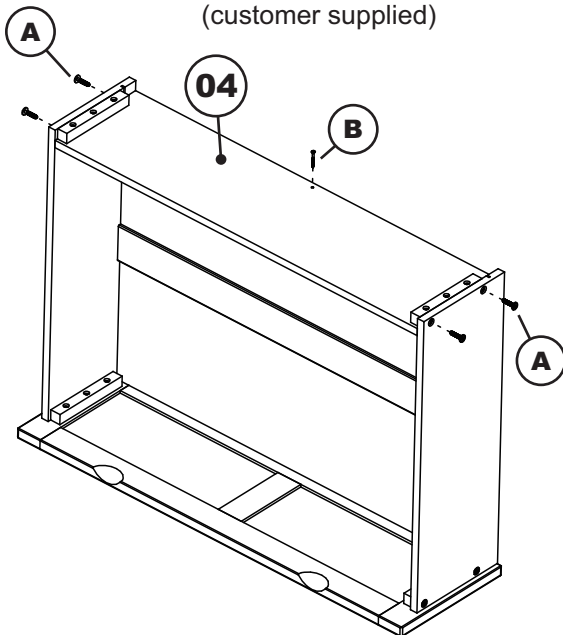
BACK VIEW



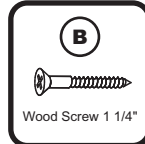
Adult assembly

### Step 3

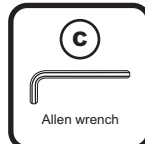
Attach drawer back (04) to bed drawer assembly as shown. Use JCB M6 X 1" (A). Tighten with Allen wrench (C). Use wood screws 1 1/4" (B) to finish attaching drawer center support (07) to drawer back (04). Tighten with Phillips head screw driver. (customer supplied)



JCB M6 X 1"



Wood Screw 1 1/4"



Allen wrench

## Congratulations!

Your bed drawer is now ready for use.  
We recommend that you periodically recheck that all screws are tight to ensure lasting safety.



Adult assembly