

ASSEMBLY INSTRUCTIONS

Before assembling your headboard, please read through these instructions carefully and familiarize yourself with the different parts.

ATTENTION! If you receive a damaged or defective item, please contact afifurnishings at customerservice@afifurnishings.com or 1-800-955-3726



PARTS LIST

- ① TOP / BOTTOM RAIL 2 PCS
- ② SLAT 10 PCS
- ③ WIDE SLAT 1 PC
- ④ LEFT POST 1 PC
- ⑤ RIGHT POST 1 PC
- ⑥ FOOTBOARD PANEL 1 PC
- ⑦ LEFT LEG 1 PC
- ⑧ RIGHT LEG 1 PC

Instructions apply for bed sizes
QUEEN

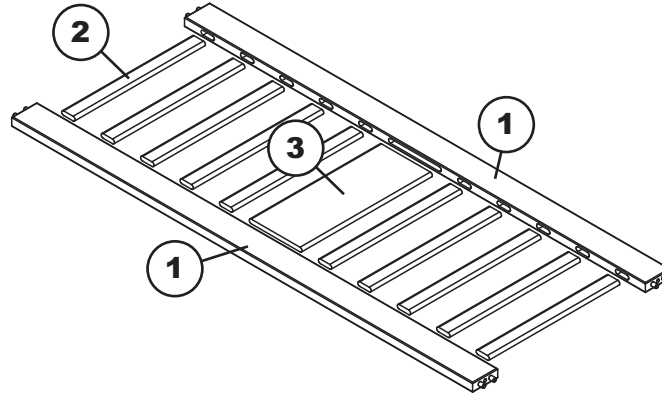
HARDWARE

- Ⓐ JCB M6 X 110mm - 8 pcs
Spare - 1 pc
- Ⓑ Barrel Nut - 8 pcs
- Ⓒ JCB M8 X 15mm (5/8") - 8 pcs
Assembly headboard and footboard to side rails
- Ⓓ Allen wrench - 1pc
Spare - 1pc
- Ⓔ Allen wrench M6 - 1pc

NOTE: WE INCLUDE SPARE HARDWARE IN CASE DAMAGE OCCURS DURING ASSEMBLY.

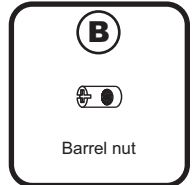
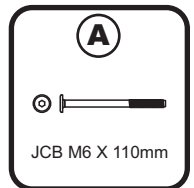
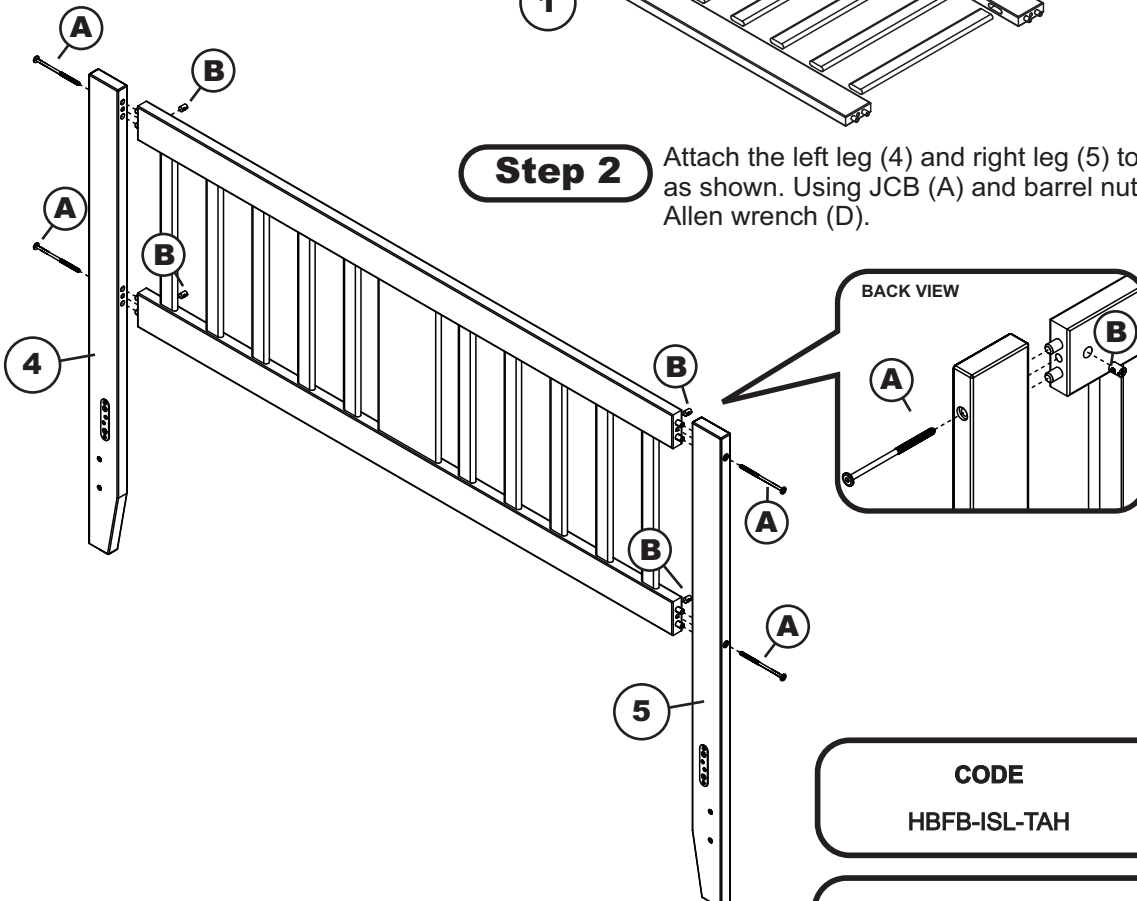
Step 1

Attach the slat (2) and wide slat (3) to the top and bottom rail (1) as shown.



Step 2

Attach the left leg (4) and right leg (5) to the rail assembly as shown. Using JCB (A) and barrel nut (B). Tighten with Allen wrench (D).



CODE

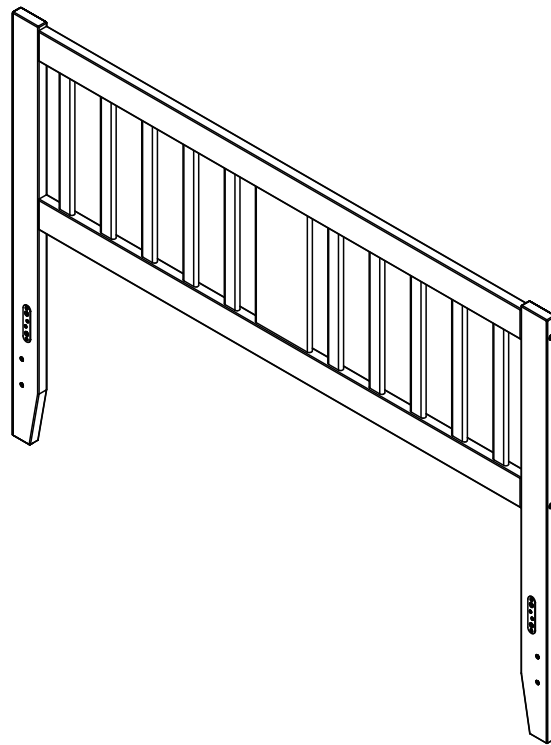
HBFB-ISL-TAH

ITEM

G-12894X

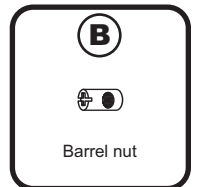
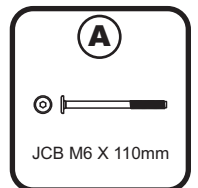
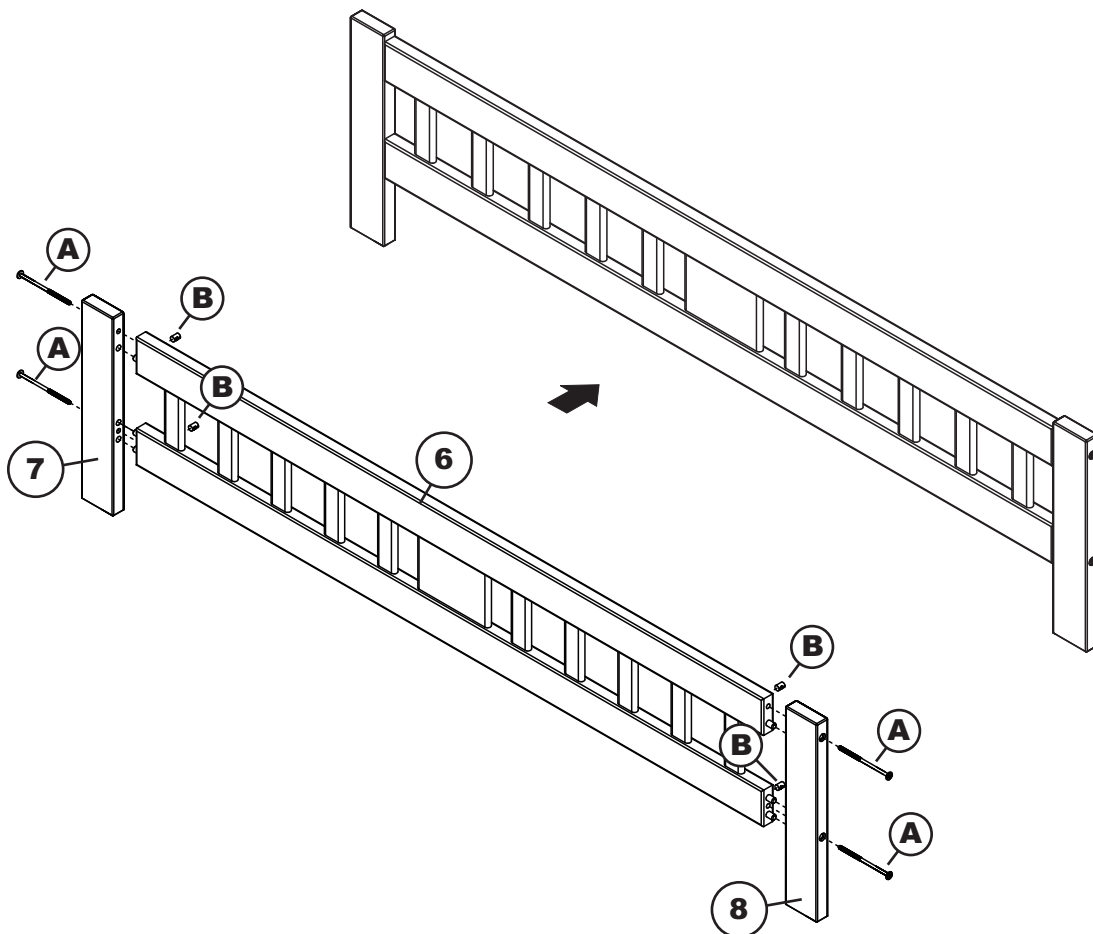
PO:

QUEEN



Step 3

Attach the left right leg (7)(8) to the footboard panel (6) as shown below, using JCB (A) and barrel nut (B). Tighten with Allen wrench (D).



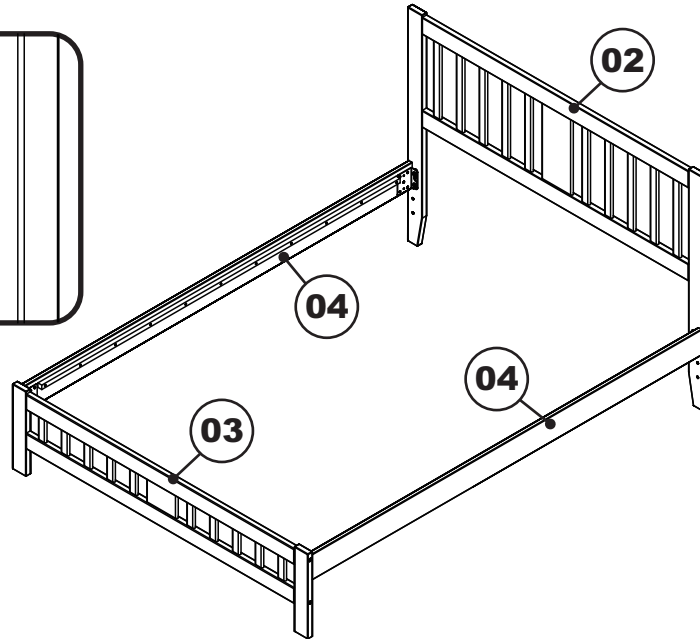
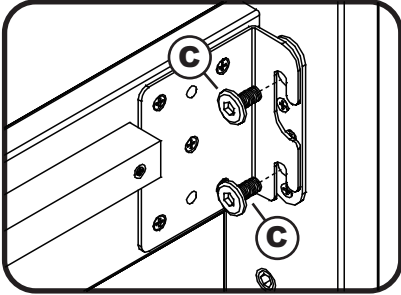
QUEEN

- 01 HARDWARE
 - 02 HEADBOARD
 - 03 FOOTBOARD
- BOX 1

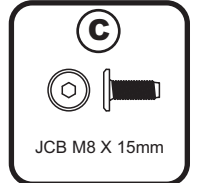
- 01 HARDWARE
 - 04 SIDE RAILS
 - 05 SLAT KIT
- BOX 2

Step 1

Attach the side rails (04) to the headboard (02) and footboard (03) using JCB M8 X 15mm (C). Tighten with Allen wrench M6 (E).



Adult assembly



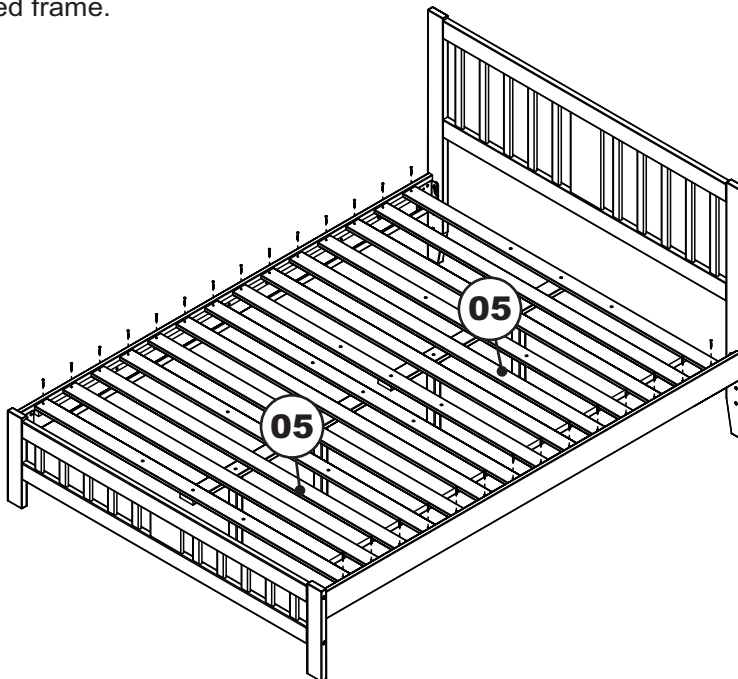
JCB M8 X 15mm



Allen wrench M6

Step 2

Attach slat kit (05) onto the bed using wood screws. Tighten with Phillips head screw driver. (customer supplied) For assembly of slat kit, follow the assembly instructions included with bed frame.



Adult assembly

Congratulations!

Your bed is now ready for use.

We recommend that you periodically recheck that all screws are tight to ensure lasting safety.

QUEEN

ASSEMBLY INSTRUCTIONS

Before assembling your bed frame, please read through these instructions carefully and familiarize yourself with the different parts.



ATTENTION! If you receive a damaged or defective item, please contact afifurnishings at customerservice@afifurnishings.com or 1-800-955-3726

PARTS LIST

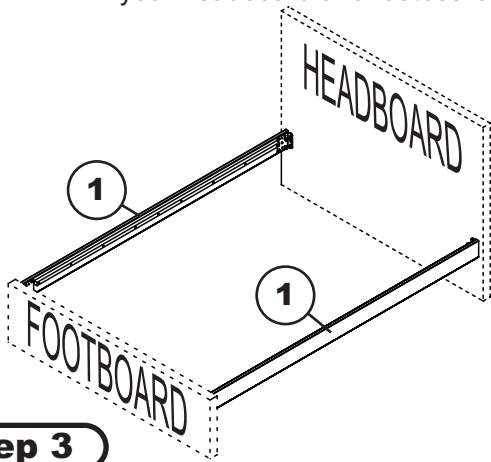
- ① **SIDE RAIL** 2 PCS
- ② **SLAT KIT** 2 SETS
- ③ **SLAT SUPPORT** 2 PCS
- ④ **SLAT SUPPORT LEG** 4 PCS

- #### HARDWARE
- Ⓐ Wood screw (1 1/4") - 12 pcs
 - Ⓑ JCB M6 X 30mm - 6 pcs
 - Ⓒ Cap nut - 6 pcs
 - Ⓓ JCB M8 X 40mm - 4 pcs
 - Ⓔ Split washer - 4 pcs
 - Ⓕ Flat washer - 4 pcs
 - Spare - 1 pc
 - Spare - 1 pc
 - Spare - 1 pc

NOTE: WE INCLUDE SPARE HARDWARE IN CASE DAMAGE OCCURS DURING ASSEMBLY.

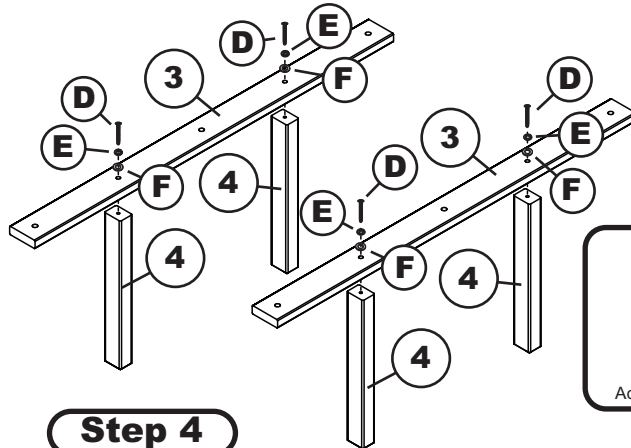
Step 1

Attach side rails (1) to the headboard and footboard. For assembly, follow the assembly instructions included with your headboard and footboard.



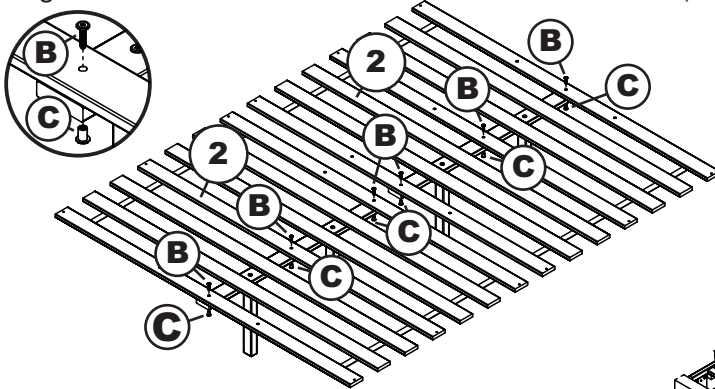
Step 2

Attach slat support legs (4) to slat support (3) as shown below using JCB M8 X 40mm (D) split and flat washer (E)(F) tighten with Allen wrench M6.



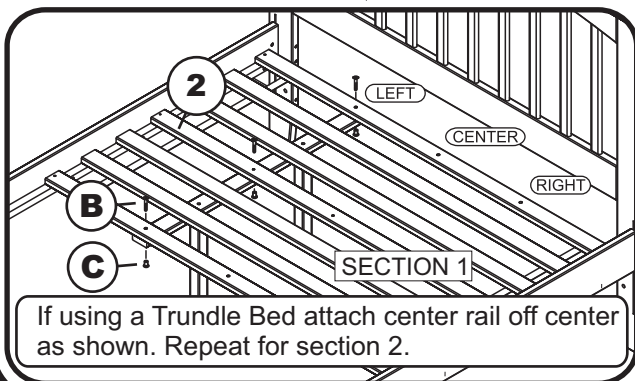
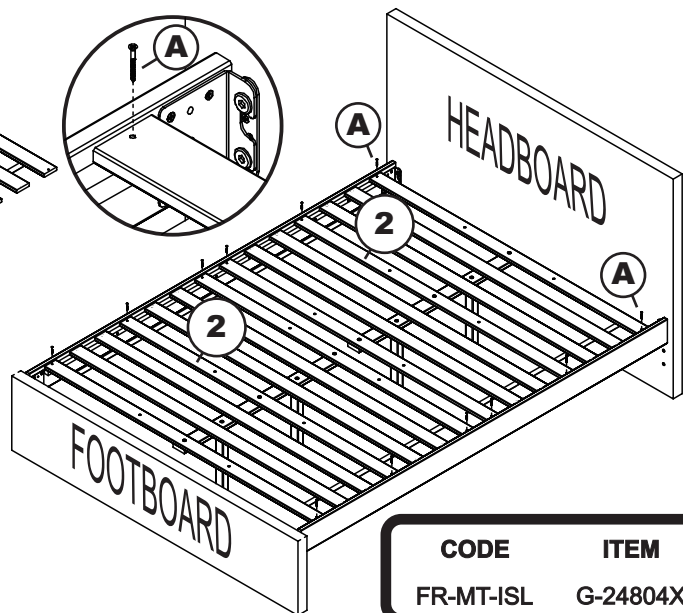
Step 3

Attach slat support (3) to the slat kit (2) as shown below using JCB M6 X 30mm (B) and cap nut (C). Tighten with Allen wrench M4.



Step 4

Attach the slat kit (2) onto the bed using wood screws 1 1/4" (A). Tighten with Phillips head screw driver. (customer supplied)



If using a Trundle Bed attach center rail off center as shown. Repeat for section 2.

CODE	ITEM
FR-MT-ISL	G-24804X

PO:

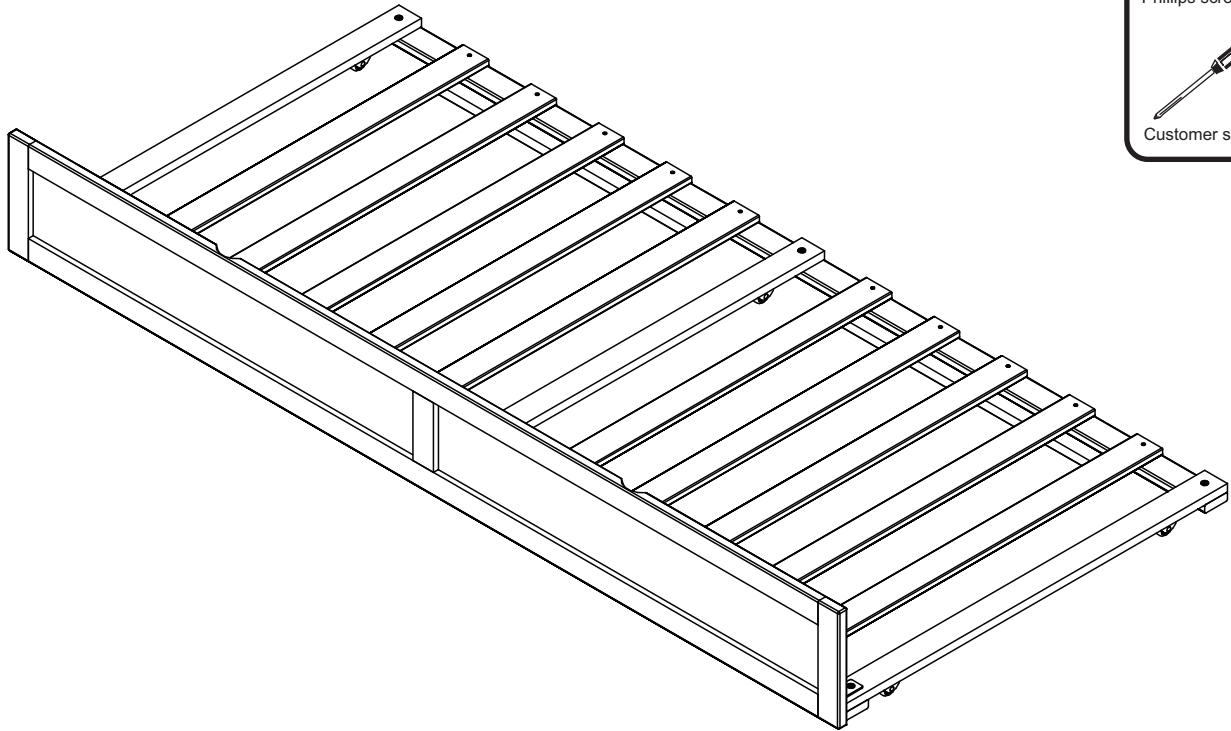
TWIN XL

ASSEMBLY INSTRUCTIONS

Before assembling your Trundle bed, please read through these instructions carefully. Familiarize yourself with the different parts.



ATTENTION! If you receive a damaged or defective item, please contact afifurnishings at customerservice@afifurnishings.com or 1-800-955-3726

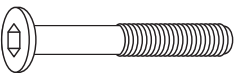


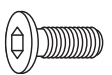
CODE	ITEM
ST-TD-ISL	G-35801X

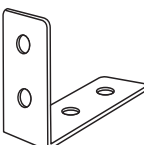
PO :

HARDWARE

NOTE: WE INCLUDE SPARE HARDWARE IN CASE DAMAGE OCCURS DURING ASSEMBLY.

A  JCB M6 X 1 5/8" (40mm) - 9 pcs
Spare - 1 pc

B  JCB M6 X 5/8" (15mm) - 6 pcs
Spare - 1 pc
Fix L bracket to front panel

C  L Bracket - 3 pcs

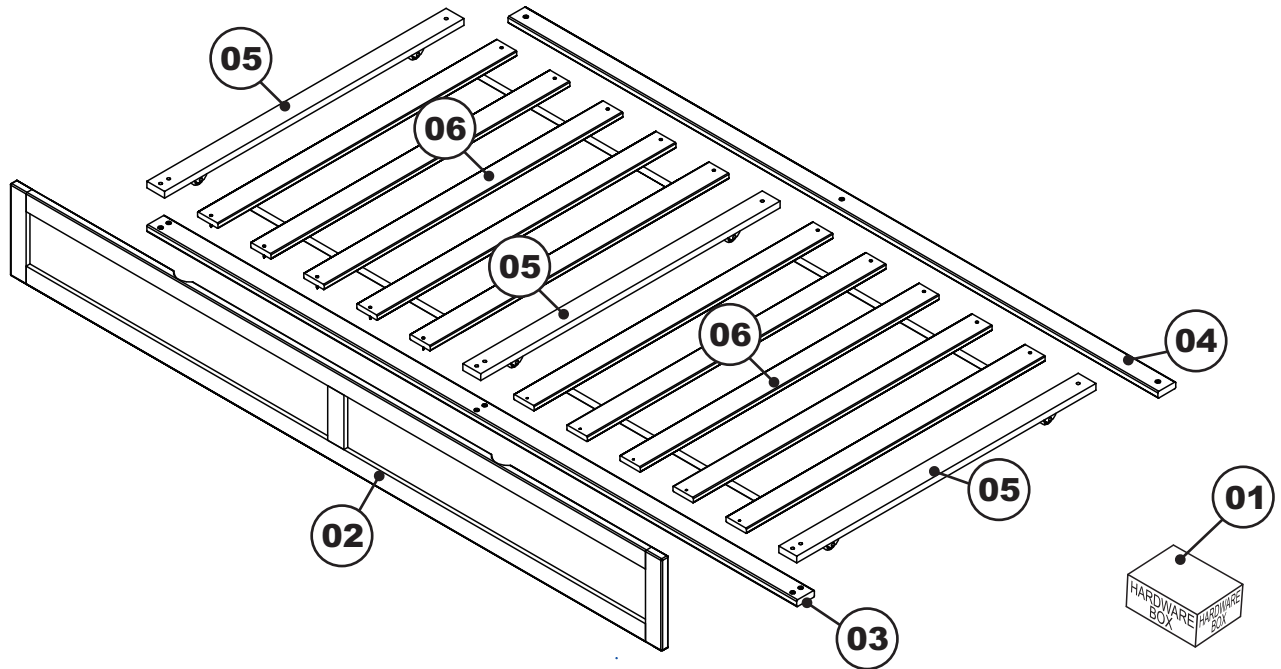
D  Wood screw - 20 pcs
Spare - 2 pcs

E  Allen wrench - 1 pc
Spare - 1 pc

TWIN XL

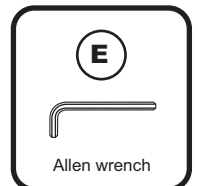
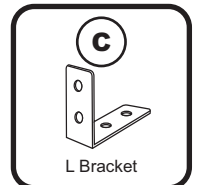
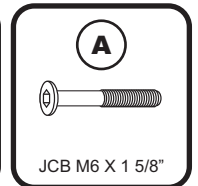
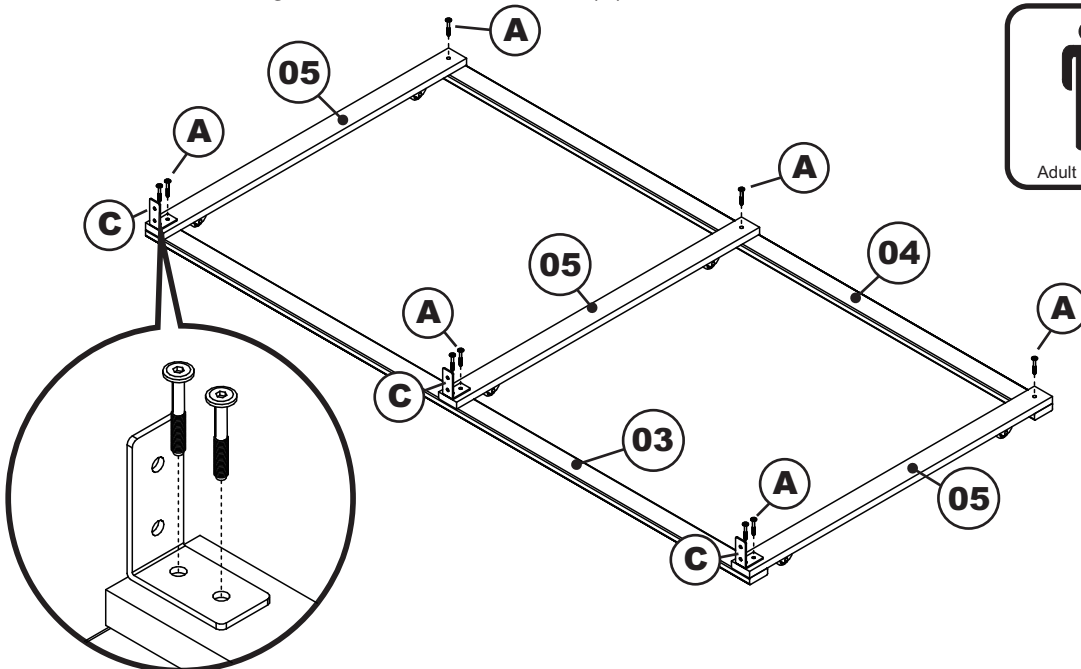
PARTS LIST

- | | | | | | |
|----|-------------|-------|----|-----------------------|--------|
| 01 | HARDWARE | 1 BOX | 05 | LEFT, RIGHT, MID RAIL | 3 PCS |
| 02 | FRONT PANEL | 1 PC | 06 | SLAT KIT WITH WEBBING | 2 SETS |
| 03 | FRONT RAIL | 1 PC | | | |
| 04 | BACK RAIL | 1 PC | | | |



Step 1

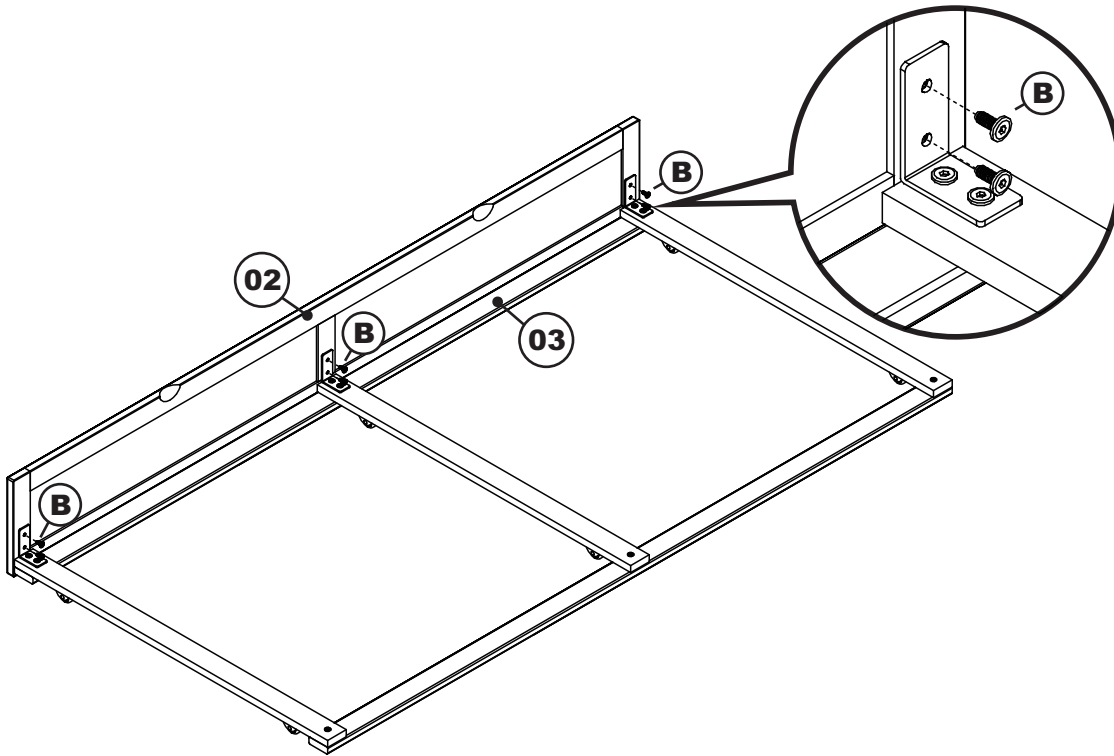
Attach the left, right and mid rails (05) to the front rail (03) using L bracket (C) and JCB M6 X 1 5/8" (A). Attach left, right and mid rails (05) to the back rail (04) using JCB M6 X 1 5/8" (A). Tighten with the Allen wrench (E).



TWIN XL

Step 2

Attach the front panel (02) to the front rail (03) as shown, using JCB M6 X 5/8" (B). Tighten with the Allen wrench (E).



Adult assembly

B



JCB M6 X 5/8"

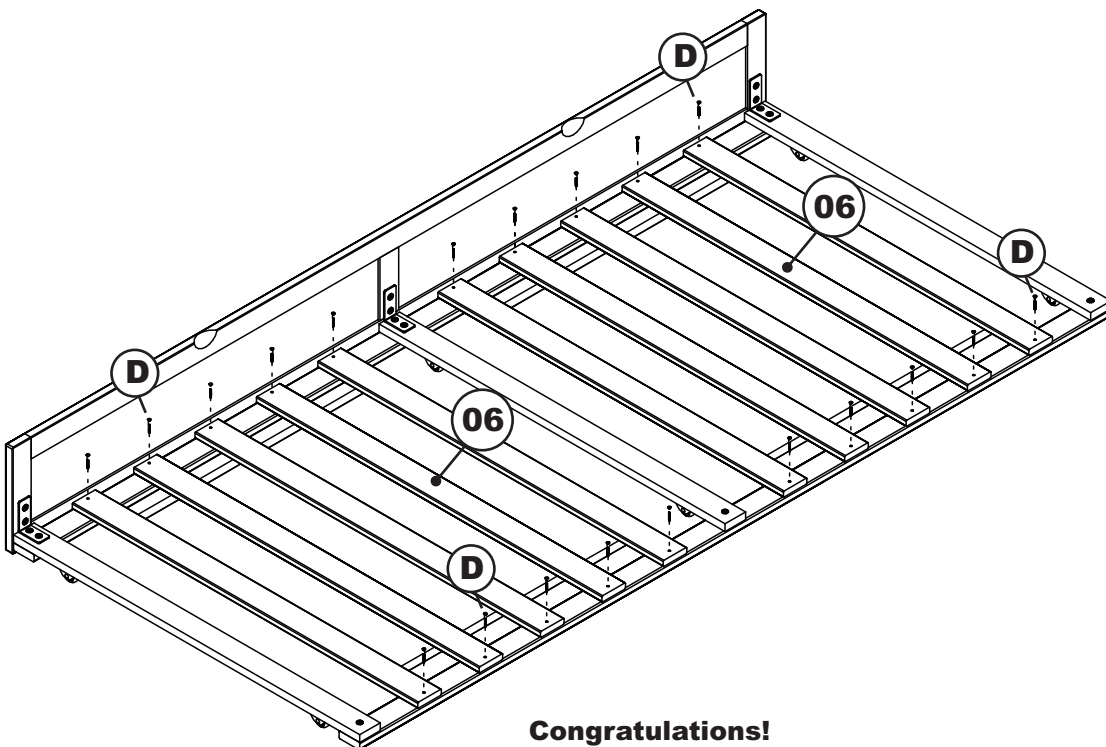
E



Allen wrench

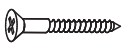
Step 3

Lay the slat kits (06) webbing side down onto the rail assembly as shown. Attach using wood screw (D) and tighten with the Phillips head screw driver. (customer supplied)



Adult assembly

D



Wood screw

Phillips screwdriver



Customer supplied

Congratulations!

Your Trundle bed is now ready for use.

We recommend that you periodically check that all screws are tight and all parts are secure to ensure lasting safety.