

ASSEMBLY INSTRUCTIONS

Before assembling your headboard, please read through these instructions carefully and familiarize yourself with the different parts.

ATTENTION! If you receive a damaged or defective item, please contact afifurnishings at customerservice@afifurnishings.com or 1-800-955-3726



PARTS LIST

- ① TOP / BOTTOM RAIL 2 PCS
- ② SLAT 8 PCS
- ③ WIDE SLAT 1 PC
- ④ LEFT POST 1 PC
- ⑤ RIGHT POST 1 PC
- ⑥ FOOTBOARD PANEL 1 PC
- ⑦ LEFT LEG 1 PC
- ⑧ RIGHT LEG 1 PC

Instructions apply for bed sizes
FULL

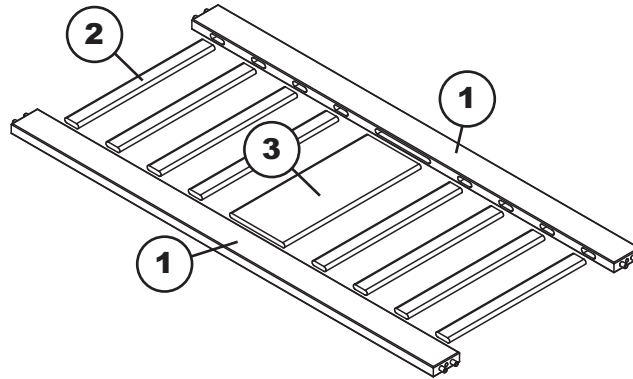
HARDWARE

- Ⓐ JCB M6 X 110mm - 8 pcs
Spare - 1 pc
- Ⓑ Barrel Nut - 8 pcs
- Ⓒ JCB M8 X 15mm (5/8") - 8 pcs
Assembly headboard and footboard to side rails
- Ⓓ Allen wrench - 1pc
Spare - 1pc
- Ⓔ Allen wrench M6 - 1pc

NOTE: WE INCLUDE SPARE HARDWARE IN CASE DAMAGE OCCURS DURING ASSEMBLY.

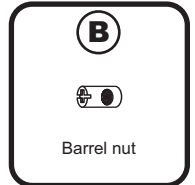
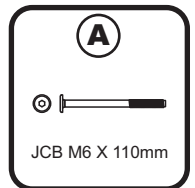
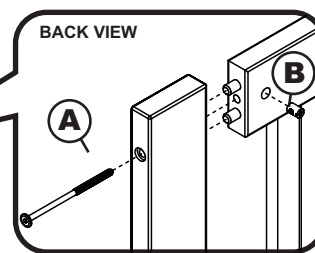
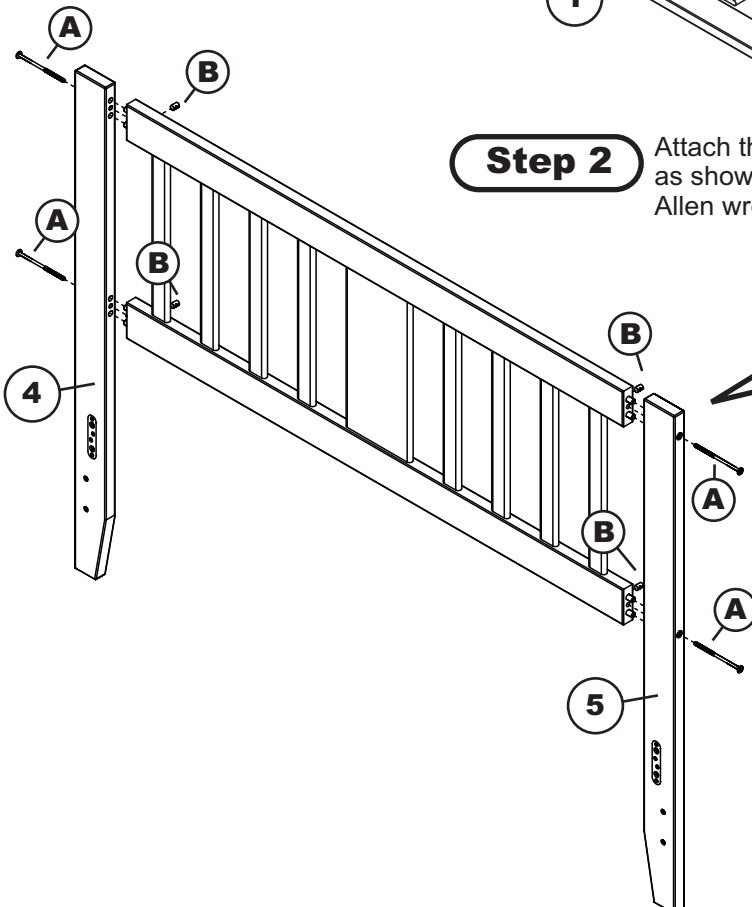
Step 1

Attach the slat (2) and wide slat (3) to the top and bottom rail (1) as shown.



Step 2

Attach the left leg (4) and right leg (5) to the rail assembly as shown. Using JCB (A) and barrel nut (B). Tighten with Allen wrench (D).



CODE

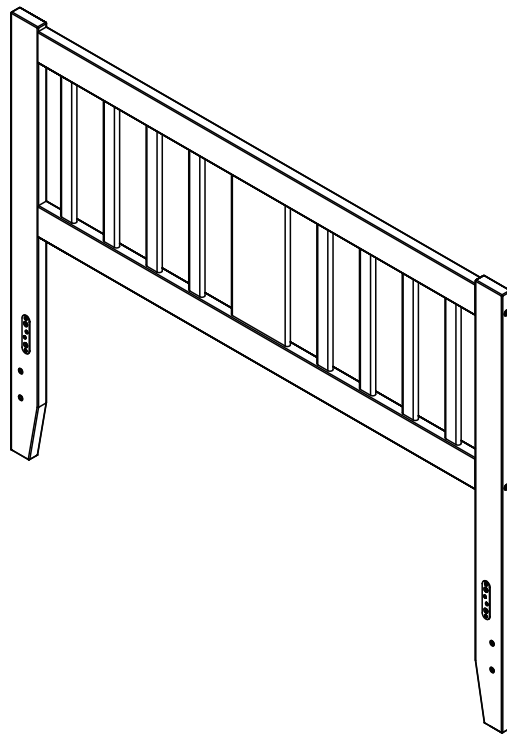
HBFB-ISL-TAH

ITEM

G-12893X

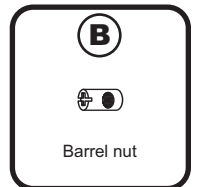
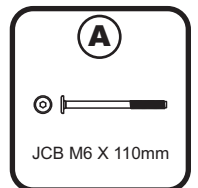
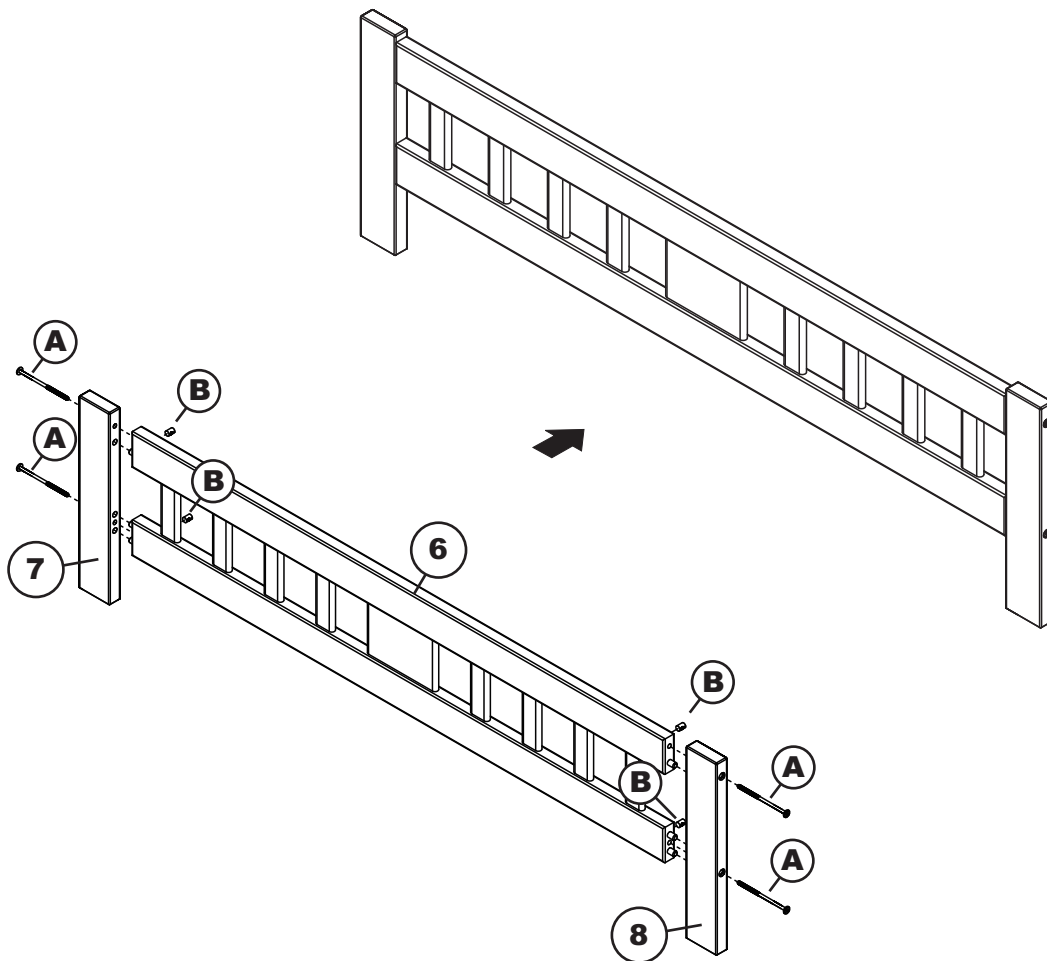
PO:

FULL



Step 3

Attach the left right leg (7)(8) to the footboard panel (6) as shown below, using JCB (A) and barrel nut (B). Tighten with Allen wrench (D).



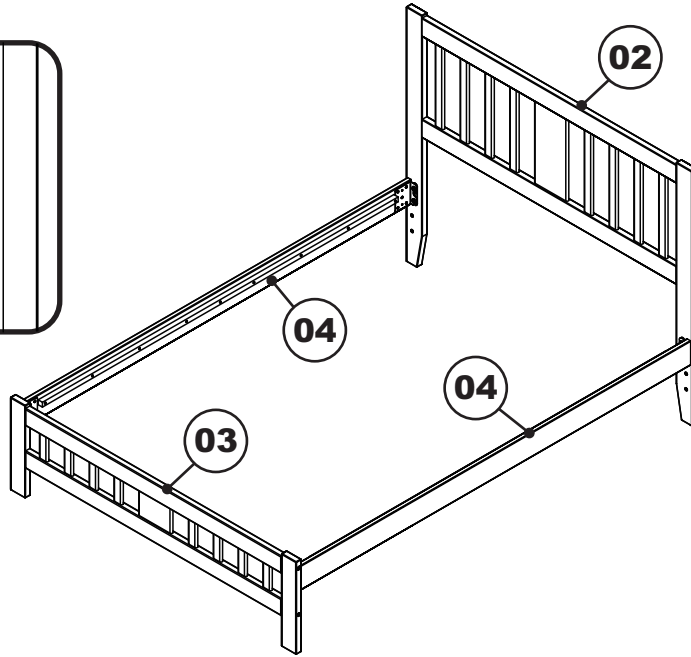
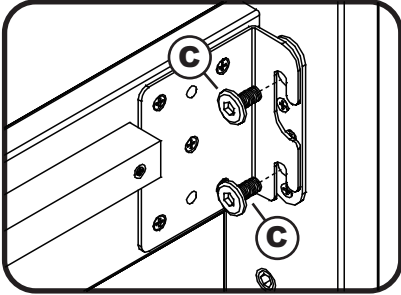
FULL

- 01 HARDWARE
 - 02 HEADBOARD
 - 03 FOOTBOARD
- BOX 1

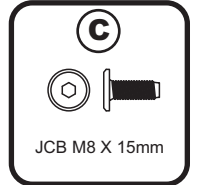
- 01 HARDWARE
 - 04 SIDE RAILS
 - 05 SLAT KIT
- BOX 2

Step 1

Attach the side rails (04) to the headboard (02) and footboard (03) using JCB M8 X 15mm (C). Tighten with Allen wrench M6 (E).



Adult assembly



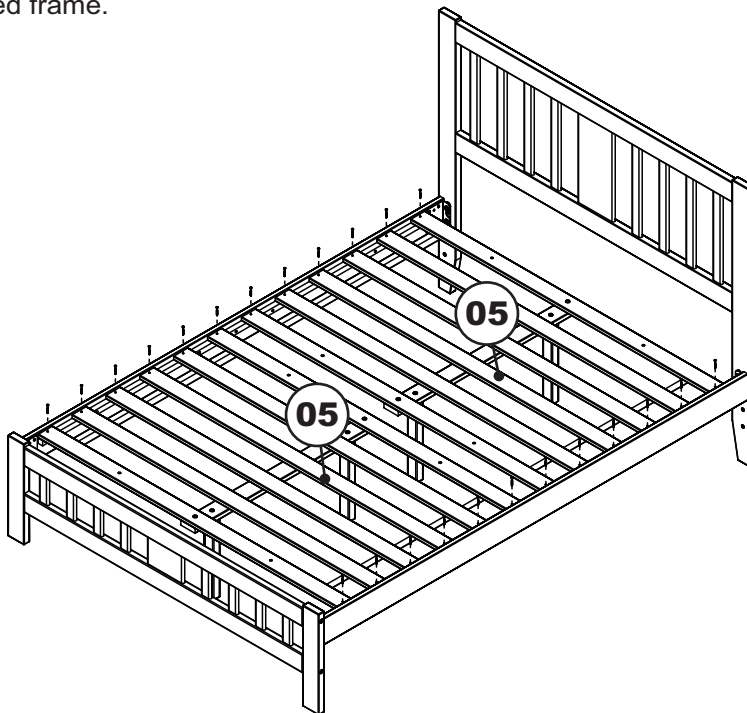
JCB M8 X 15mm



Allen wrench M6

Step 2

Attach slat kit (05) onto the bed using wood screws. Tighten with Phillips head screw driver. (customer supplied) For assembly of slat kit, follow the assembly instructions included with bed frame.



Adult assembly

Congratulations!

Your bed is now ready for use.

We recommend that you periodically recheck that all screws are tight to ensure lasting safety.

FULL ASSEMBLY INSTRUCTIONS

Before assembling your bed frame, please read through these instructions carefully and familiarize yourself with the different parts.



ATTENTION! If you receive a damaged or defective item, please contact afifurnishings at customerservice@afifurnishings.com or 1-800-955-3726

PARTS LIST

- ① SIDE RAIL 2 PCS
- ② SLAT KIT 2 SETS
- ③ SLAT SUPPORT 2 PCS
- ④ SLAT SUPPORT LEG 4 PCS

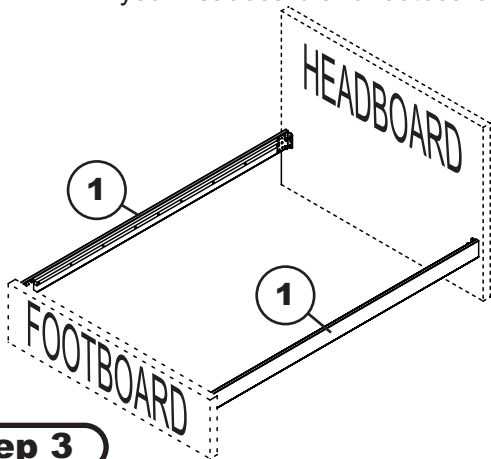
HARDWARE

- Ⓐ Wood screw (1 1/4") - 24 pcs Spare - 2 pcs
- Ⓑ JCB M6 X 25mm - 4 pcs
- Ⓒ Cap nut - 4 pcs
- Ⓓ Allen screw - 4 pcs
- Ⓔ Allen wrench - 1 pc

NOTE: WE INCLUDE SPARE HARDWARE IN CASE DAMAGE OCCURS DURING ASSEMBLY.

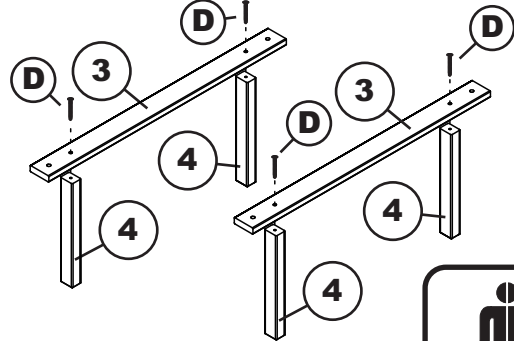
Step 1

Attach side rails (1) to the headboard and footboard. For assembly, follow the assembly instructions included with your headboard and footboard.



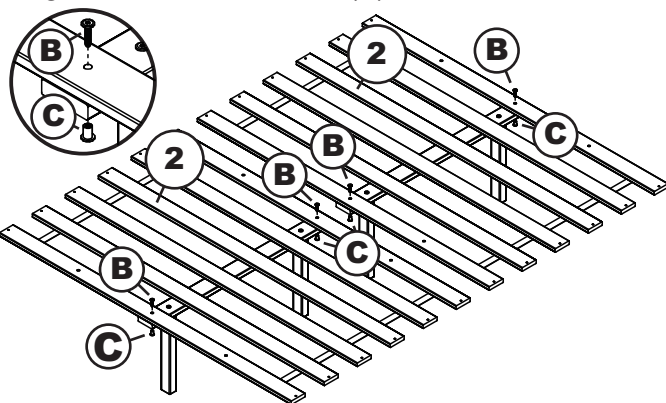
Step 2

Attach slat support legs (4) to slat support (3) as shown below using Allen screw (D) tighten with Allen wrench (E).



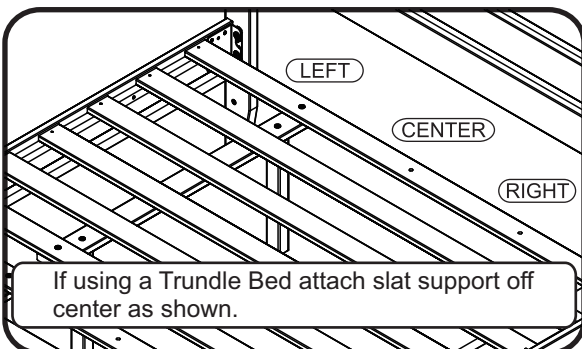
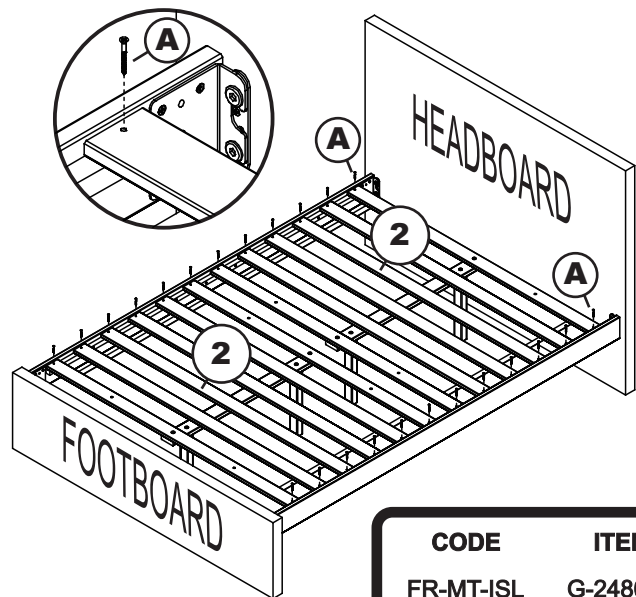
Step 3

Attach slat support (3) to the slat kit (2) as shown below using JCB M6 X 25mm (B) and cap nut (C). Tighten with Allen wrench (E).



Step 4

Attach the slat kit (2) onto the bed using wood screws 1 1/4" (A). Tighten with Phillips head screw driver. (customer supplied)



If using a Trundle Bed attach slat support off center as shown.

CODE	ITEM
FR-MT-ISL	G-24803X

PO: