

## ASSEMBLY INSTRUCTIONS

Before assembling your bed, please read through these instructions carefully and familiarize yourself with the different parts.

**ATTENTION!** If you receive a damaged or defective item, please contact afifurnishings at customerservice@afifurnishings.com or 1-800-955-3726



### PARTS LIST

- 1 HEADBOARD PANEL 1 PC
- 2 LEFT LEG 1 PC
- 3 RIGHT LEG 1 PC
- 4 PILLOW STOP 1 PC
- 5 PACKING STICK 2 PCS
- 6 WOOD DOWELS (Factory Installed) 8 PCS
- 7 FOOTBOARD 1 PC

Instructions apply for bed sizes  
**QUEEN > KING**

### HARDWARE

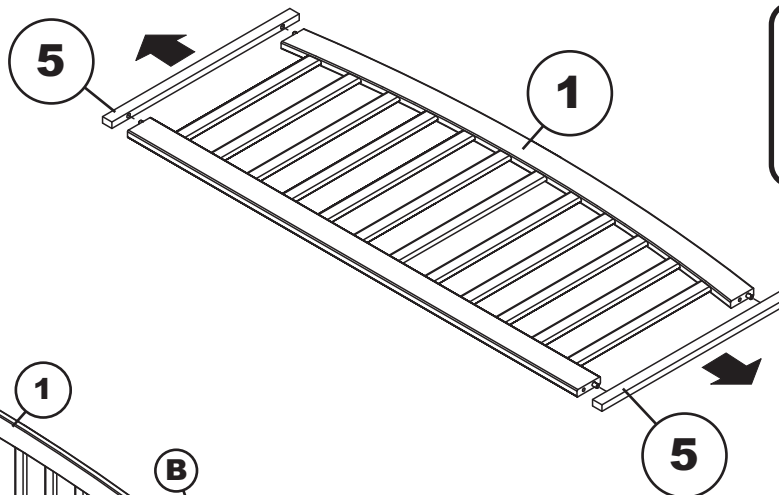
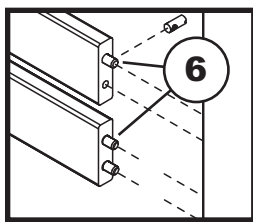
- A** JCB M6 X 110mm (4 3/8") - 4 pcs  
Spare - 1 pc
- B** Barrel nut - 4 pcs  
Spare - 1 pc

- C** Allen wrench - 1pc  
Spare - 1pc

NOTE: WE INCLUDE SPARE HARDWARE IN CASE DAMAGE OCCURS DURING ASSEMBLY.

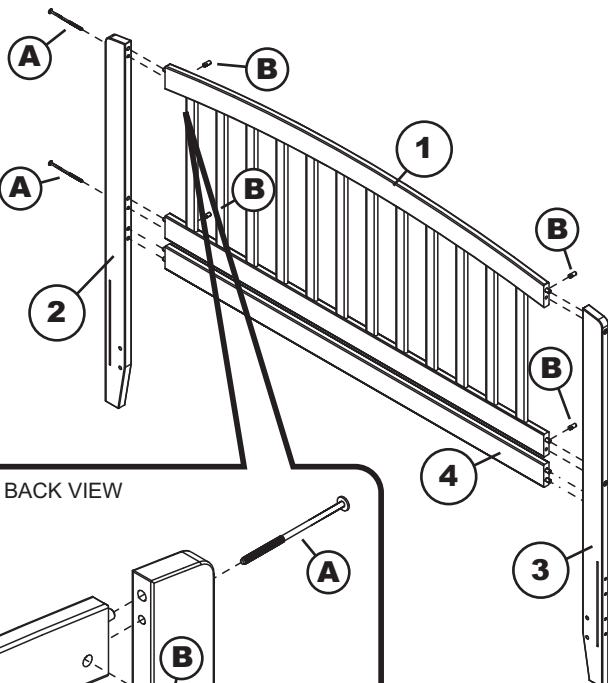
### Step 1

Remove packing stick (5) from headboard panel (1) and **DISCARD**.



### Step 2

Attach the legs (2) and (3) to headboard panel (1), and pillow stop (4) using JCB (A) and barrel nut (B). Tighten with the Allen wrench (C).



BACK VIEW

FRONT VIEW

TAPER INSIDE AND HOLES TO THE FRONT.

CODE	ITEM
HBFB-RCM	R-28874X
HBFB-RCM	R-28875X

**Congratulations!**

**PO :**

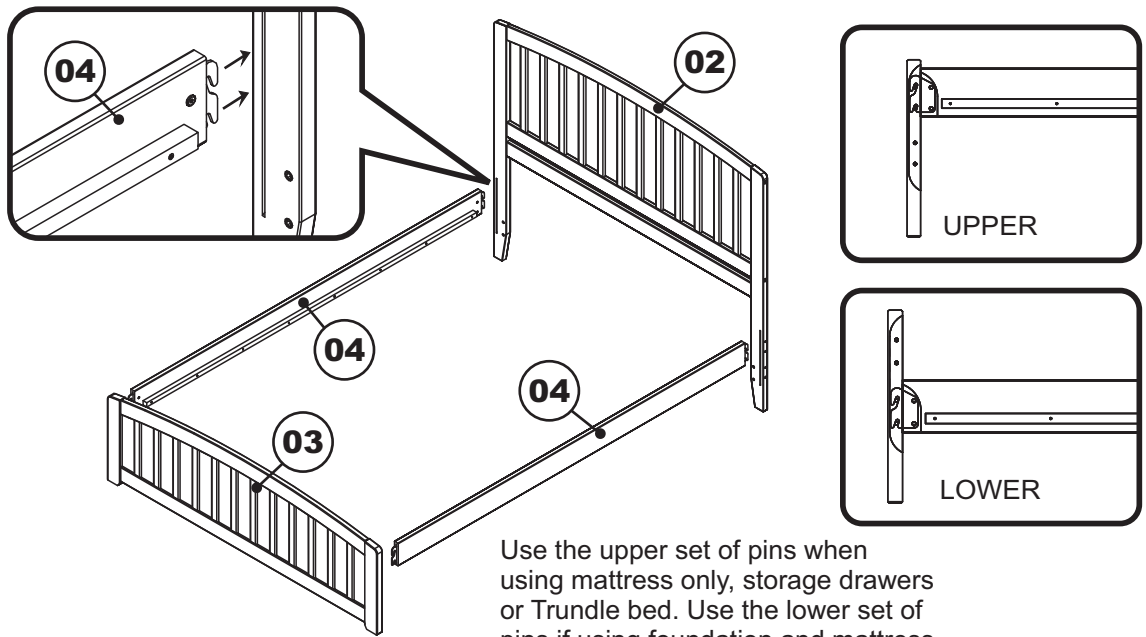
Your headboard is now assembled.

To ensure lasting safety, we recommend that you periodically check that all screws are tight and all parts are secure.

- 01 **HARDWARE**
- 02 **HEADBOARD** — **BOX 1**
- 03 **FOOTBOARD**
- 04 **SIDE RAILS** — **BOX 2**



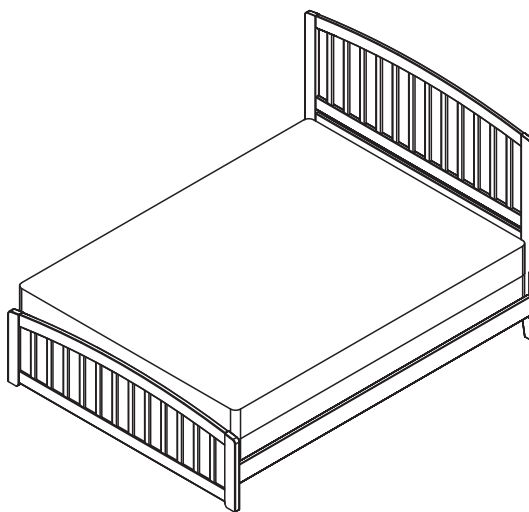
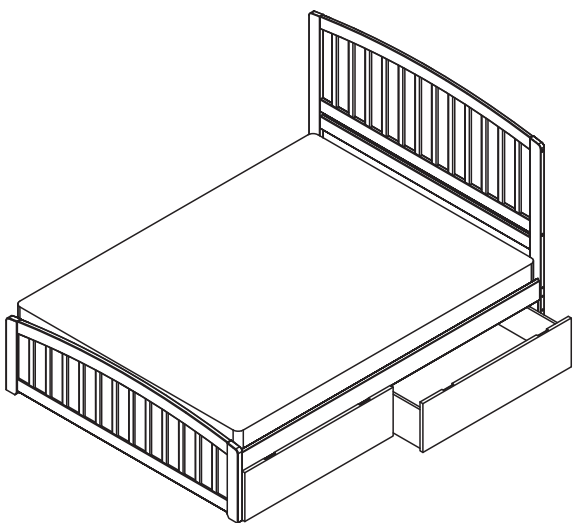
**Step 1** Attach the side rails (04) to the headboard (02) and footboard (03) using the bed hook as shown below.



**Step 2** Lastly, lay slat kit or foundation support board onto the bed. For assembly, follow the assembly instructions included with support system.

PLATFORM BED - TALL HEIGHT

TRADITIONAL BED - LOW HEIGHT



## ASSEMBLY INSTRUCTION ( QUEEN )

Before assembling your bed slat kit, please read through these instructions carefully and familiarize yourself with the different parts. Please note that you will require a Phillips screwdriver and an Allen wrench.

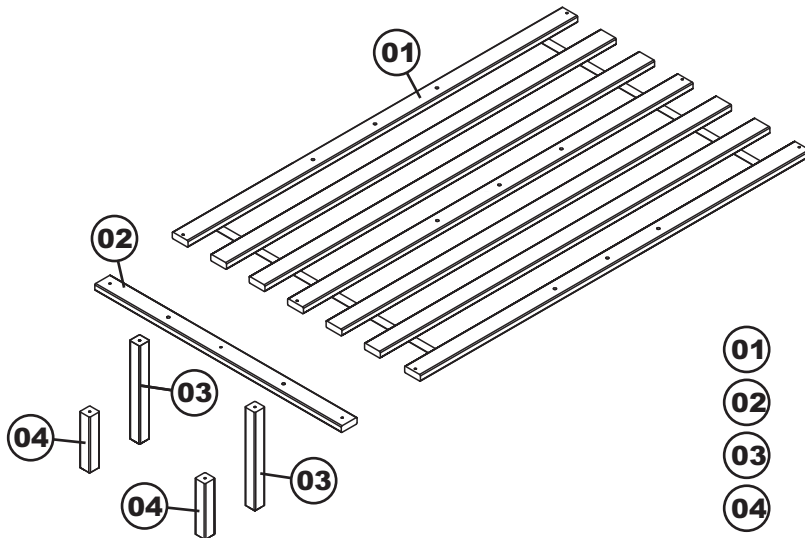
**ATTENTION!** If you receive a damaged or defective item, please contact afifurnishings at [customerservice@afifurnishings.com](mailto:customerservice@afifurnishings.com) or 1-800-955-3726



### PARTS LIST

CODE	ITEM
SL-PF	E-65403

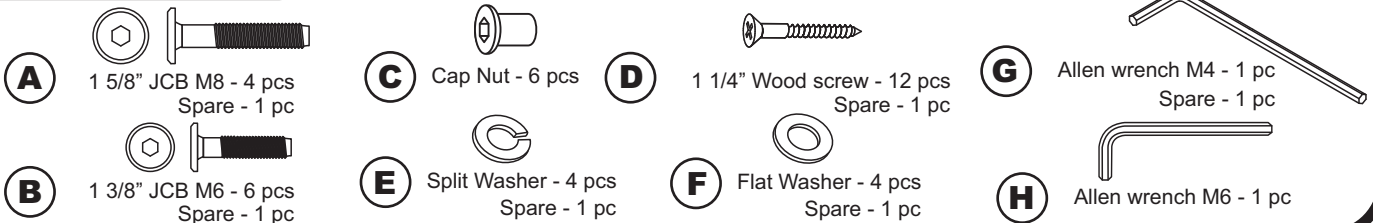
**PO :**



<b>01</b>	<b>SLAT SECTION</b>	<b>2 SET</b>
<b>02</b>	<b>SUPPORT RAIL</b>	<b>2 PCS</b>
<b>03</b>	<b>TALL SUPPORT LEG</b>	<b>4 PCS</b>
<b>04</b>	<b>SHORT SUPPORT LEG</b>	<b>4 PCS</b>

### HARDWARE

NOTE: WE INCLUDE SPARE HARDWARE IN CASE DAMAGE OCCURS DURING ASSEMBLY.

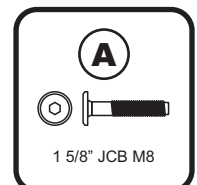
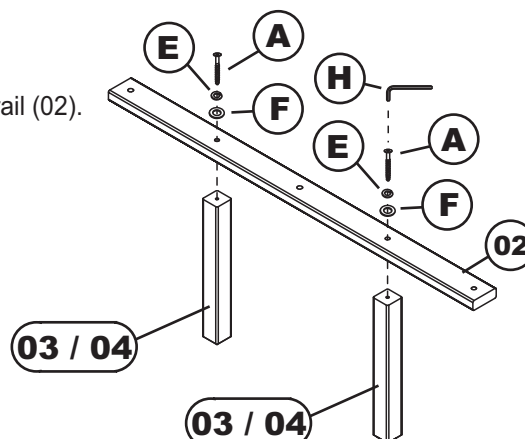
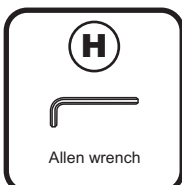


### Step 1

Assemble bed frame according to assembly instructions.  
If using mattress and foundation set the bed up low and use short support leg.  
If using Storage Drawers or Trundle Bed choose the tall support leg.

### Step 2

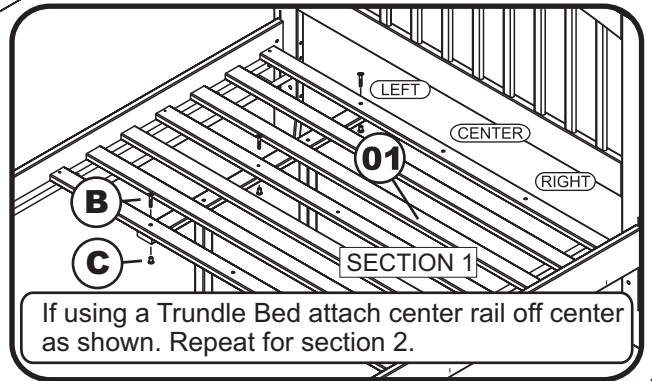
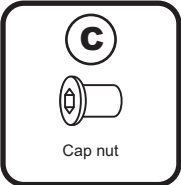
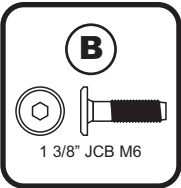
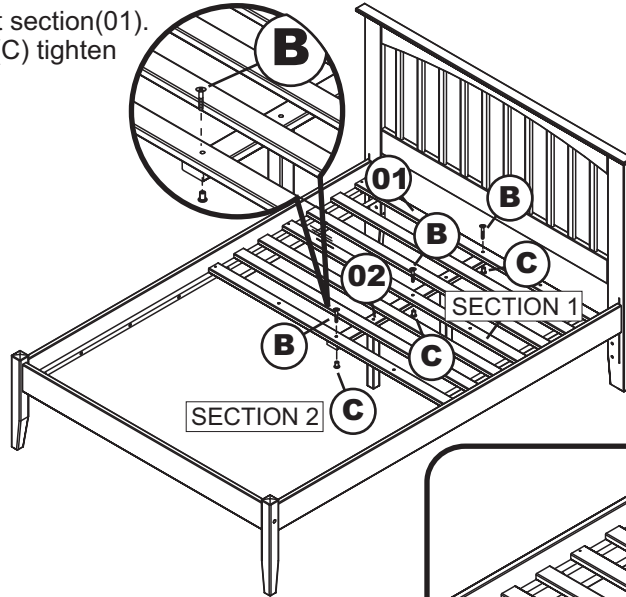
Assemble support leg (03 / 04) and support rail (02).  
Using JCB(A) split and flat washer (E)(F).  
Tighten with the Allen wrench M6 (H).  
Repeat for other support rail.



( QUEEN )

### Step 3

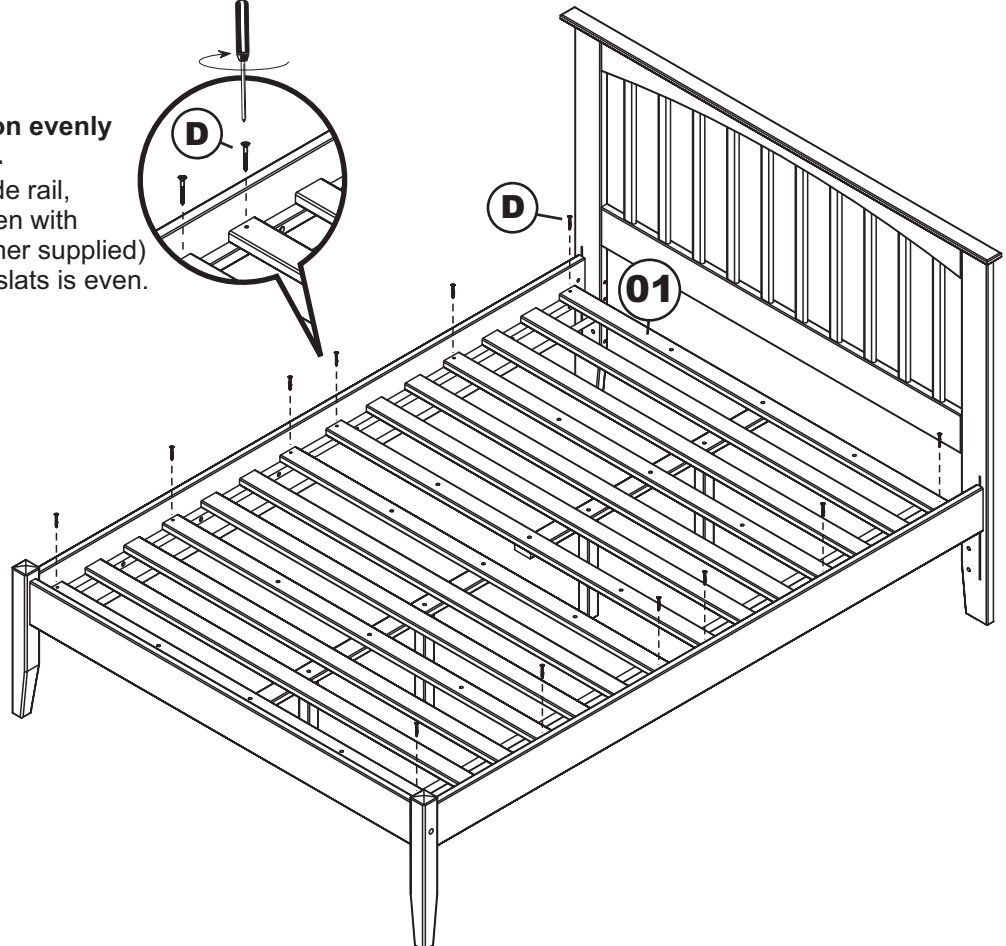
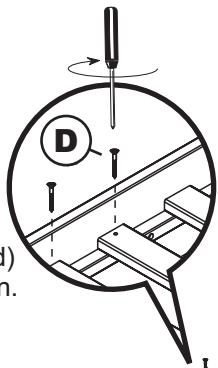
Lay the slat section (01) onto the bed.  
Attach support rail(02)to slat section(01).  
Using JCB (B) and cap nut (C) tighten  
with the Allen wrench (G).  
Repeat for section 2.



### Step 4

**Be sure to align slat section evenly  
with both ends of side rail.**

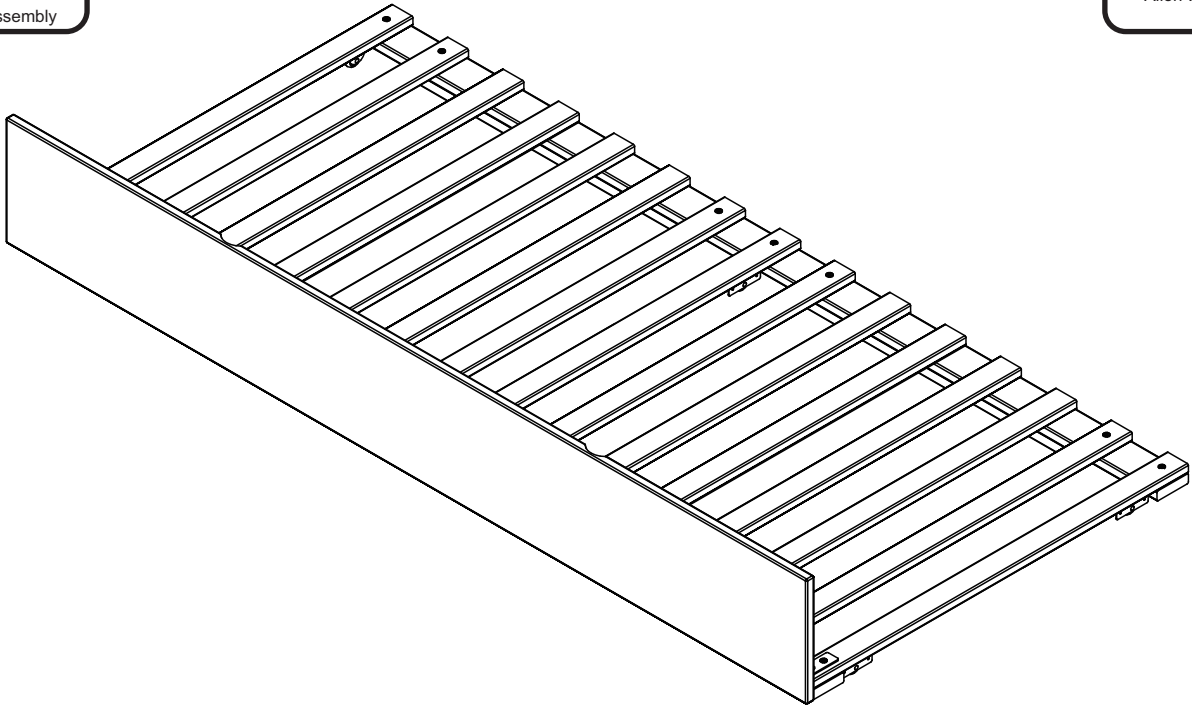
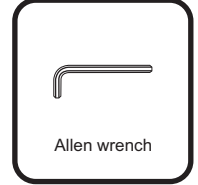
Screw slat section (01) to side rail,  
using wood screw (D). Tighten with  
Phillips screwdriver. (Customer supplied)  
Be sure the space between slats is even.



## ASSEMBLY INSTRUCTIONS TWIN XL

Before assembling your Trundle bed, please read through these instructions carefully. Familiarize yourself with the different parts.

**ATTENTION!** If you receive a damaged or defective item, please contact afifurnishings at customerservice@afifurnishings.com or 1-800-955-3726

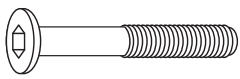


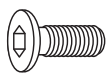
CODE	ITEM
ST-TD-UBN	E-6711X

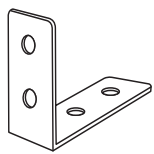
PO :

## HARDWARE

NOTE: WE INCLUDE SPARE HARDWARE IN CASE DAMAGE OCCURS DURING ASSEMBLY.

**A**  JCB M6 X 1 5/8" ( 40mm ) - 17 pcs  
Spare - 1 pc

**B**  JCB M6 X 5/8" ( 15mm ) - 6 pcs  
Spare - 1 pc  
Fix L bracket to front panel

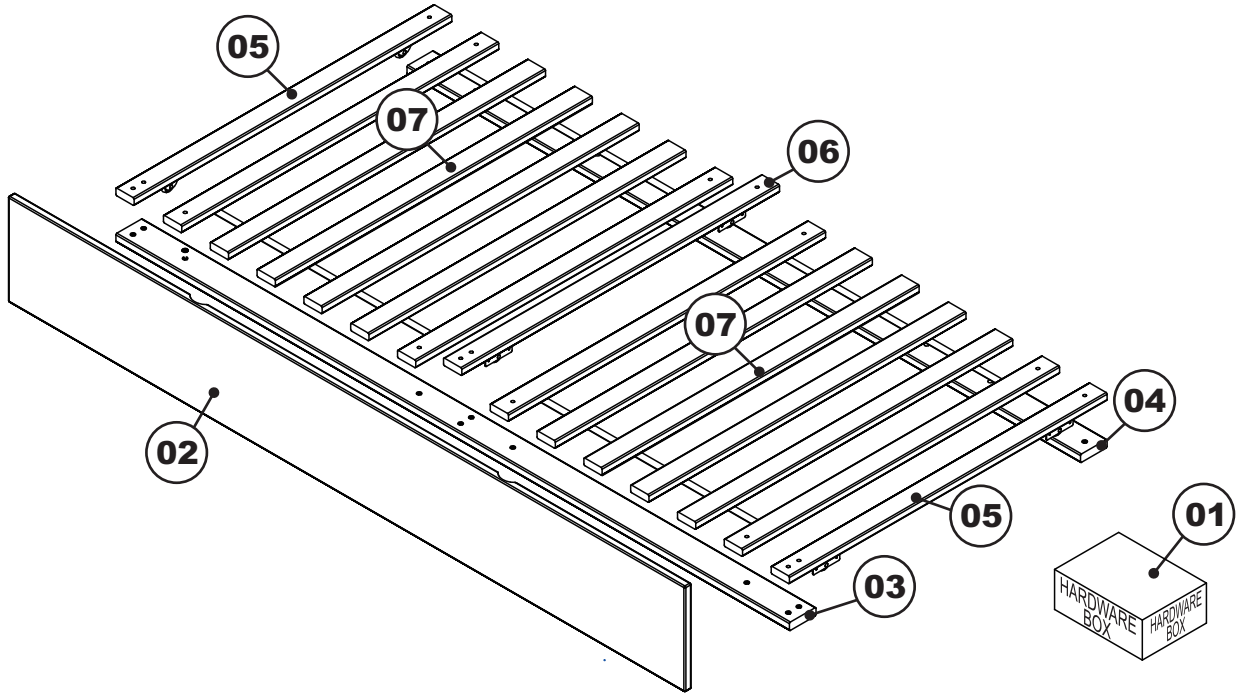
**C**  L Bracket - 3 pcs

**D**  Allen wrench - 1 pc  
Spare - 1 pc

TWIN XL

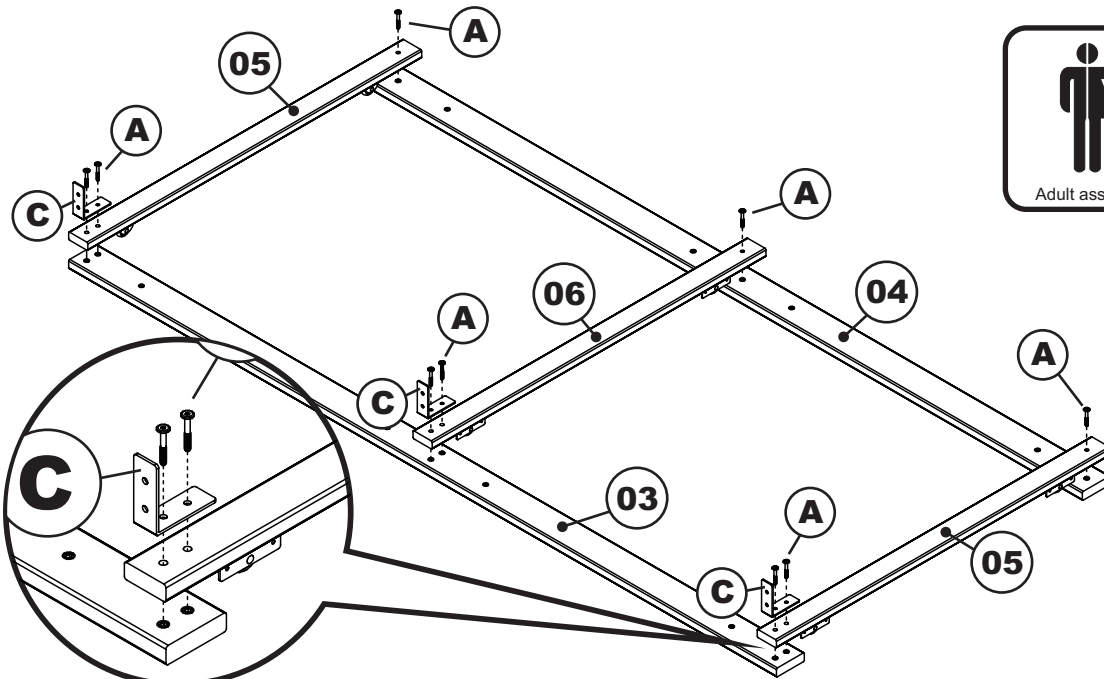
PARTS LIST

<b>01</b>	<b>HARDWARE</b>	<b>1 BOX</b>	<b>05</b>	<b>SIDE CROSS RAIL</b>	<b>2 PCS</b>
<b>02</b>	<b>FRONT PANEL</b>	<b>1 PC</b>	<b>06</b>	<b>CENTER CROSS RAIL</b>	<b>1 PC</b>
<b>03</b>	<b>FRONT RAIL</b>	<b>1 PC</b>	<b>07</b>	<b>SLAT KIT</b>	<b>2 SET</b>
<b>04</b>	<b>BACK RAIL</b>	<b>1 PC</b>			

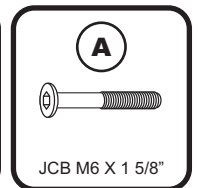


**Step 1**

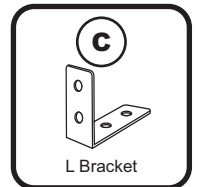
Attach the side cross rails (05) and center cross rail (06) to the front and back rail (03)(04), using L bracket (C), JCB M6 X 1 5/8" (A). Tighten with the Allen wrench (D).



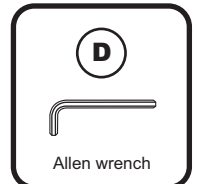
Adult assembly



JCB M6 X 1 5/8"



L Bracket

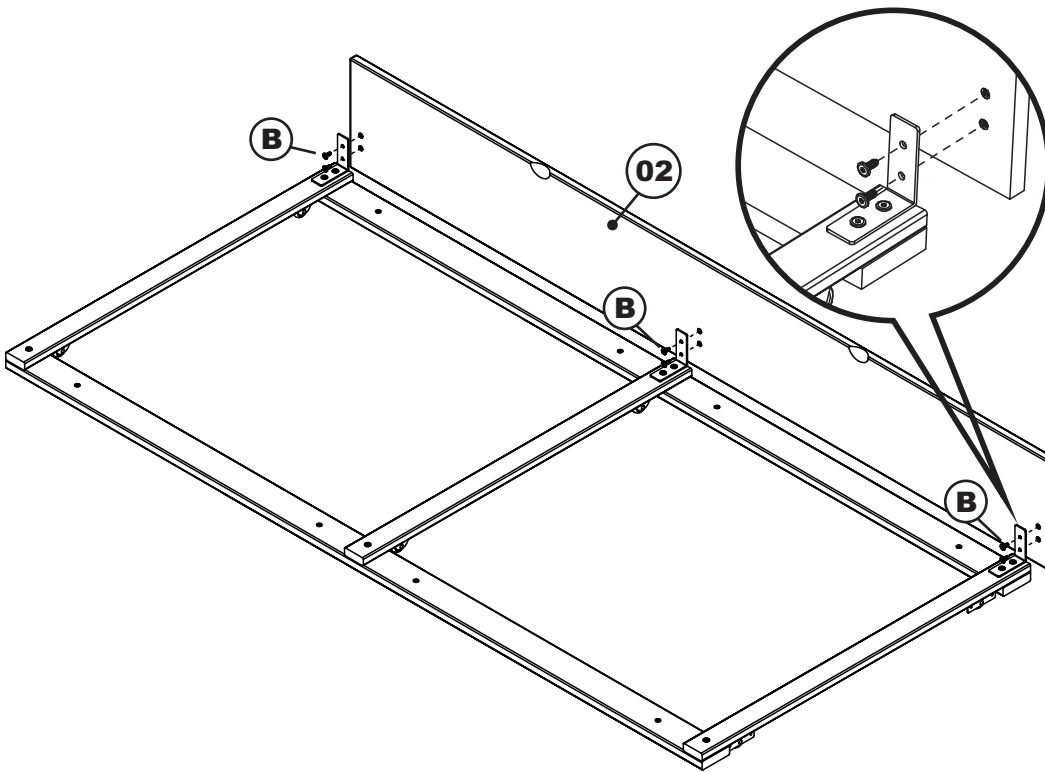


Allen wrench

## TWIN XL

### Step 2

Attach the front panel (02) to the front rail as shown, using JCB M6 X 5/8" (B). Tighten with the Allen wrench (D).



Adult assembly

B



JCB M6 X 5/8"

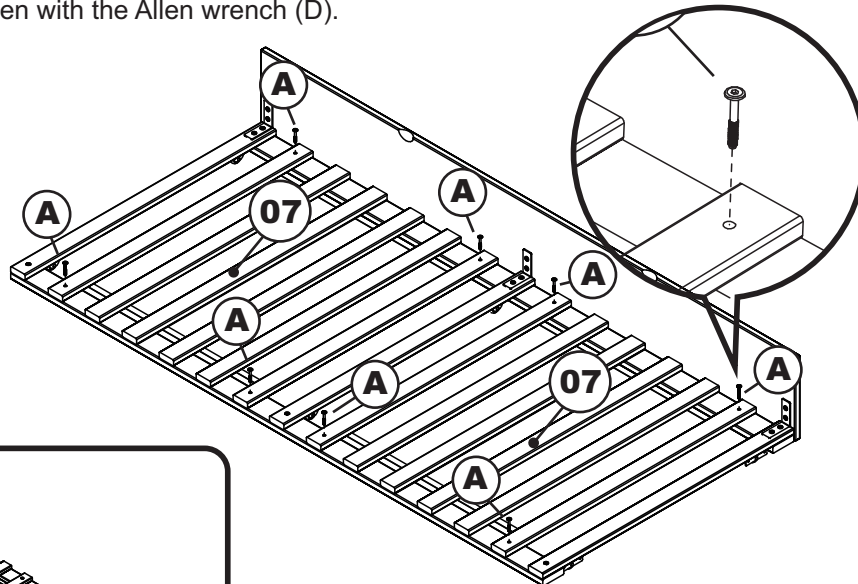
D



Allen wrench

### Step 3

Lay the slat kit (07) onto the rail assembly as shown, using JCB M6 X 1 5/8" (A). Tighten with the Allen wrench (D).



Adult assembly

A

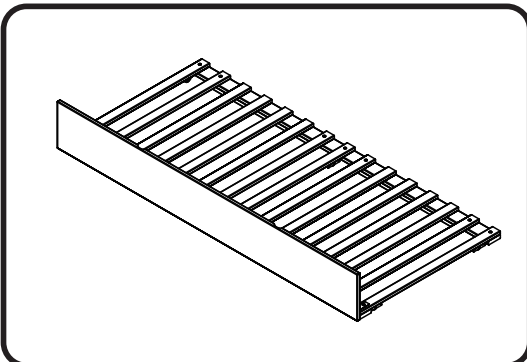


JCB M6 X 1 5/8"

D



Allen wrench



### Congratulations!

Your Trundle bed is now ready for use.

We recommend that you periodically check that all screws are tight and all parts are secure to ensure lasting safety.