

## ASSEMBLY INSTRUCTIONS

Before assembling your headboard, please read through these instructions carefully and familiarize yourself with the different parts.

**ATTENTION!** If you receive a damaged or defective item, please contact afifurnishings at customerservice@afifurnishings.com or 1-800-955-3726



### PARTS LIST

- 1 TOP / BOTTOM RAIL 2 PCS
- 2 SLAT 6 PCS
- 3 WIDE SLAT 1 PC
- 4 LEFT LEG 1 PC
- 5 RIGHT LEG 1 PC

Instructions apply for bed sizes  
**TWIN**

### HARDWARE

- A** JCB M6 X 110mm - 4 pcs  
Spare - 1 pc
  - B** Barrel Nut - 4 pcs
  - C** JCB M8 X 15mm ( 5/8" ) - 4 pcs
  - D** Allen wrench - 1 pc  
Spare - 1 pc
- Assembly headboard to open bed frame*

- HARDWARE FOR METAL BED FRAME
- E** JCB M6 X 25mm (1") - 4 pcs  
Spare - 1 pc
  - F** Flat washer - 4 pcs  
Spare - 1 pc
  - G** Split washer - 4 pcs  
Spare - 1 pc

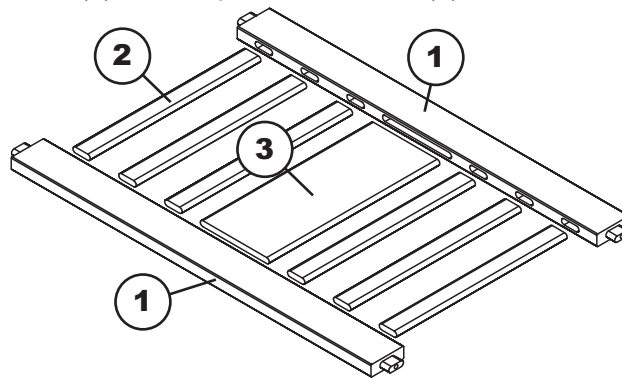
NOTE: WE INCLUDE SPARE HARDWARE IN CASE DAMAGE OCCURS DURING ASSEMBLY.

### Step 1

Attach the slat (2) and wide slat (3) to the top and bottom rail (1) as shown.

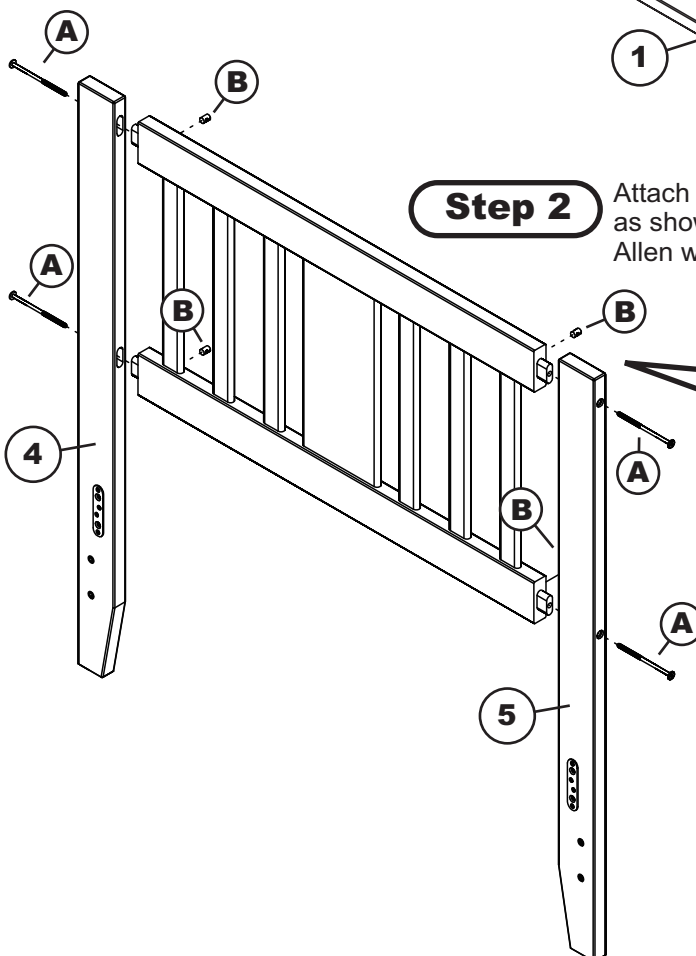


Adult assembly

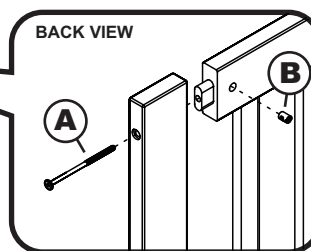


### Step 2

Attach the left leg (4) and right leg (5) to the rail assembly as shown. Using JCB (A) and barrel nut (B). Tighten with Allen wrench (D).



BACK VIEW



**A**

JCB M6 X 110mm

**B**

Barrel nut

CODE

HB-ISL-TAH

ITEM

G-11892X

PO:

FOR BED FRAME ASSEMBLY follow assembly instructions included with your bed frame.  
If you purchased a wood headboard to attach to metal bed frame, please refer to page 2.

**ASSEMBLY INSTRUCTIONS**

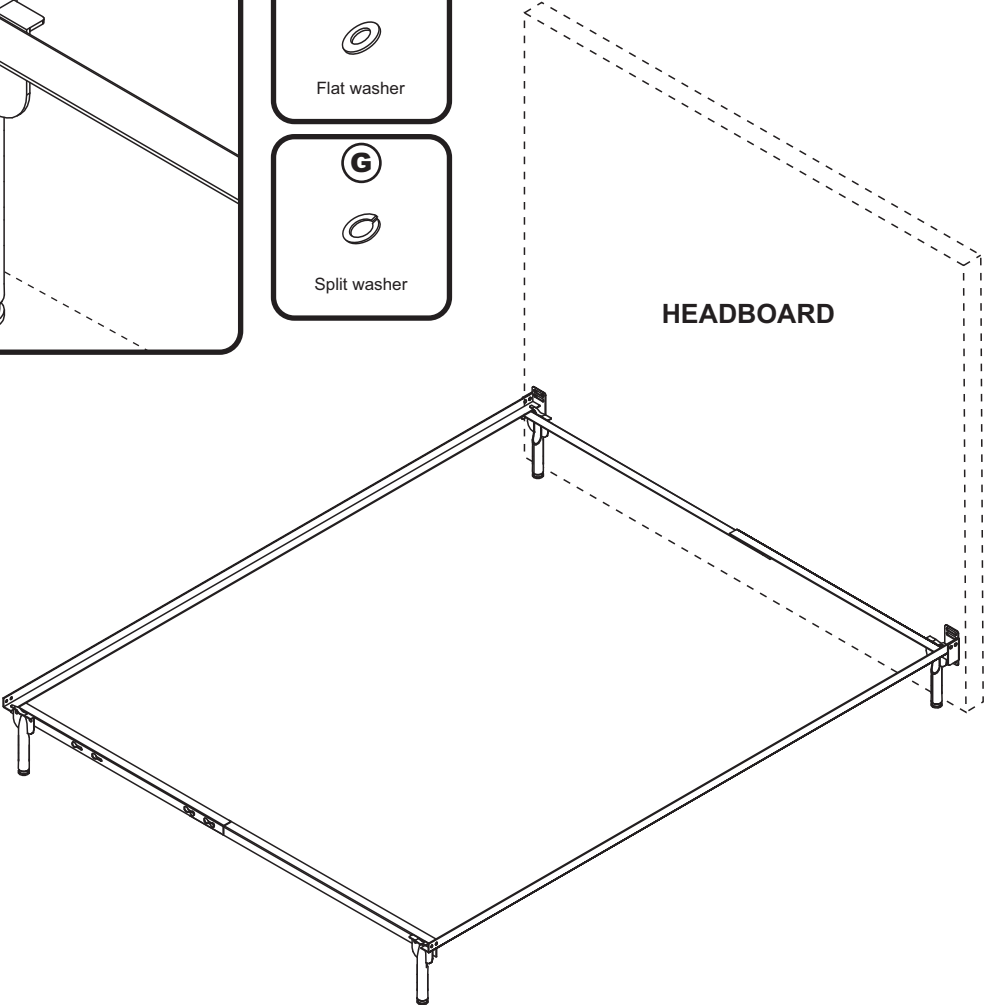
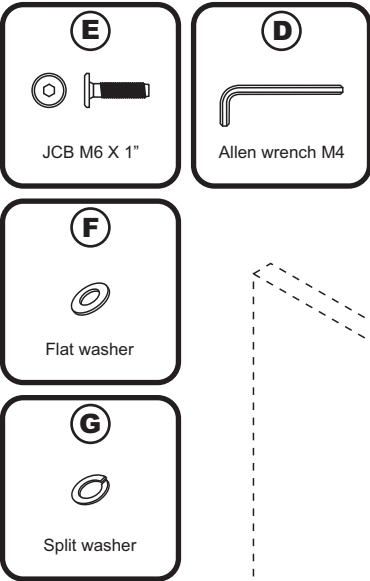
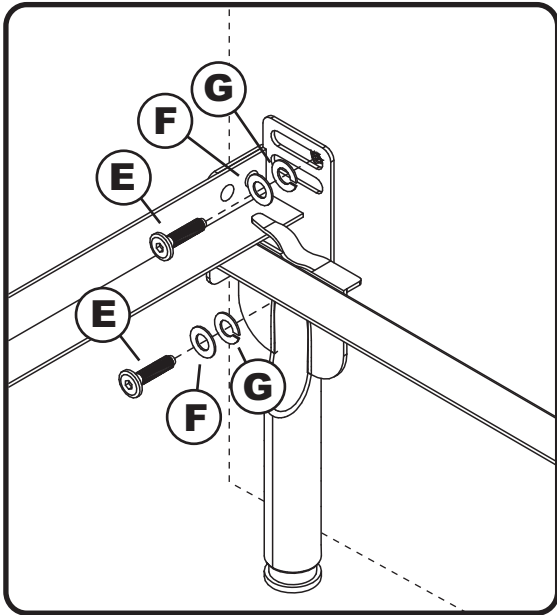
Before assembling your bed, please read through these instructions carefully and familiarize yourself with the different parts.

Instructions apply for bed sizes  
**Twin > Full > Queen**



Metal bed frames are sold separately from wood headboards. The hardware shown on this page is supplied with your wood headboard for attaching the bed frame to the headboard. The metal bed frame is supplied with its own assembly instructions and hardware.

**Step 1** Attach the headboard assembly to the metal bed frame using JCB M6 X 1" (E), flat washer (F), and split washer (G) then tighten with Allen wrench (D) as shown below.



**Congratulations!**

Your bed is now ready for use.  
To ensure lasting safety, we recommend that you periodically check that all screws are tight and all parts are secure.