

TWIN > TWIN XL

## ASSEMBLY INSTRUCTIONS

Before assembling your bed frame, please read through these instructions carefully and familiarize yourself with the different parts.

**ATTENTION!** If you receive a damaged or defective item, please contact afifurnishings at customerservice@afifurnishings.com or 1-800-955-3726



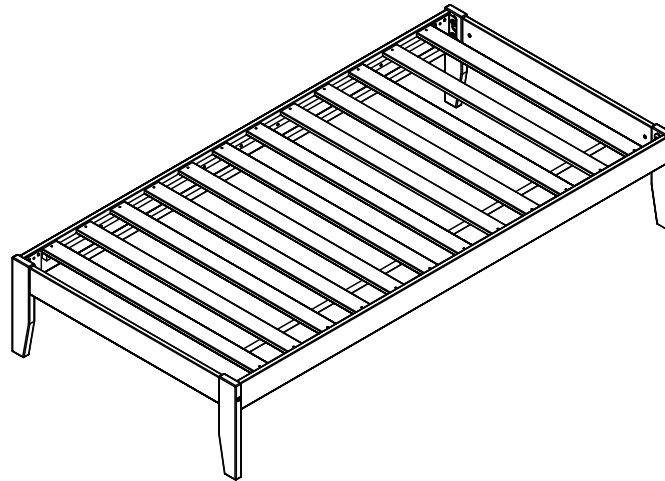
### PARTS LIST

- ① RIGHT LEG 2 PCS
- ② LEFT LEG 2 PCS
- ③ FOOT / HEAD RAIL 2 PCS
- ④ SIDE RAIL 2 PCS
- ⑤ SLAT KIT 2 SETS

### HARDWARE

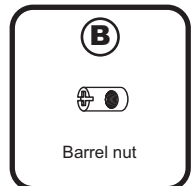
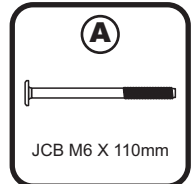
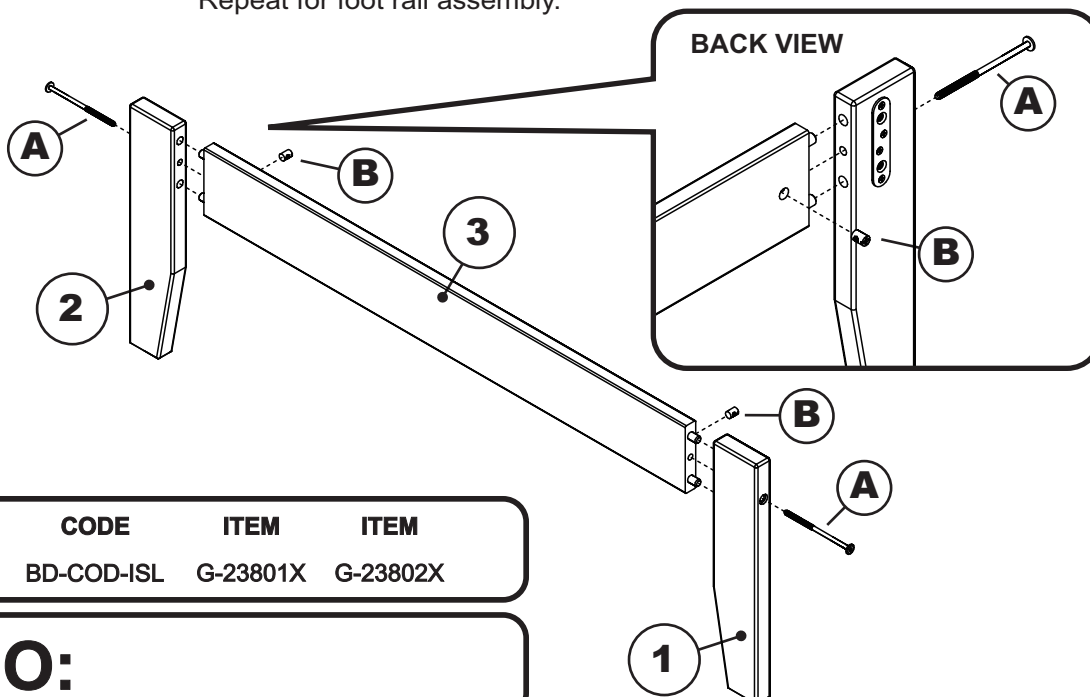
- Ⓐ JCB M6 X 110mm (4 3/8") - 4 pcs  
Spare - 1 pc
- Ⓑ Barrel nut - 4 pcs
- Ⓒ JCB M8 X 15mm (5/8") - 8 pcs
- Ⓓ Wood screw (1 1/4") - 24 pcs  
Spare - 2 pcs
- Ⓔ Allen wrench M4 - 1pc  
Spare - 1pc
- Ⓕ Allen wrench M6 - 1pc
- Ⓖ Surface Mount Charger - 1 set  
Screws 1/2" - 2 pcs  
Spare - 1 pc

NOTE: WE INCLUDE SPARE HARDWARE IN CASE DAMAGE OCCURS DURING ASSEMBLY.



### Step 1

Attach the right leg (1) and left leg (2) to the head rail (3) using JCB M6 X 110mm (A) and barrel nut (B). Tighten with the Allen wrench M4 (F). Repeat for foot rail assembly.

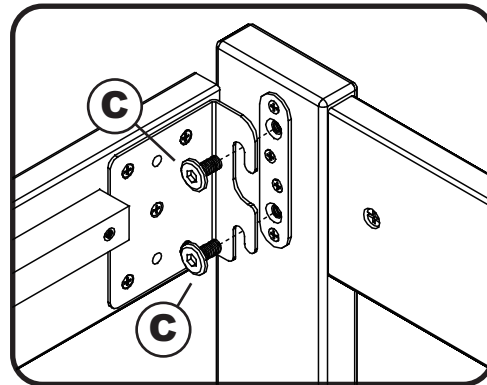
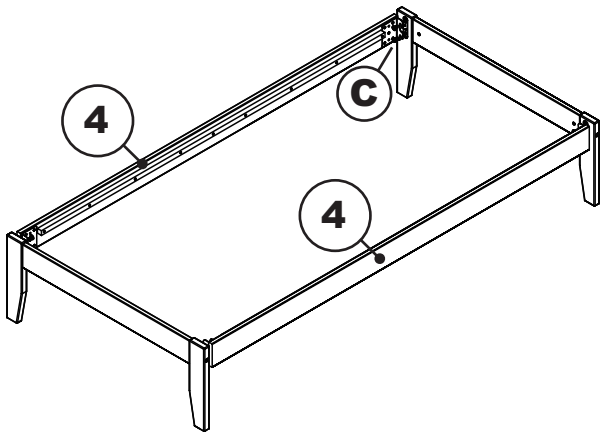


CODE	ITEM	ITEM
BD-COD-ISL	G-23801X	G-23802X

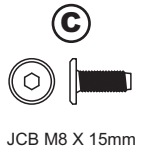
**PO:**

## Step 2

Attach the foot rail or head rail to side rails (4) using JCB M8 X 15mm (C). Tighten with the Allen wrench M6 (E).



Adult assembly

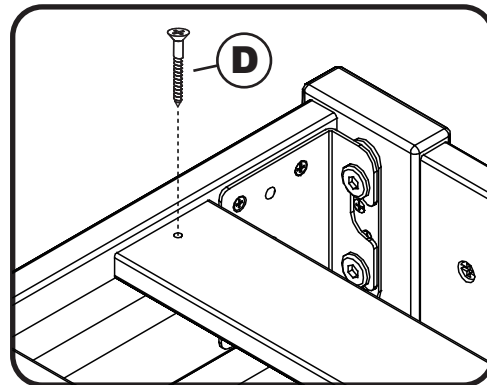
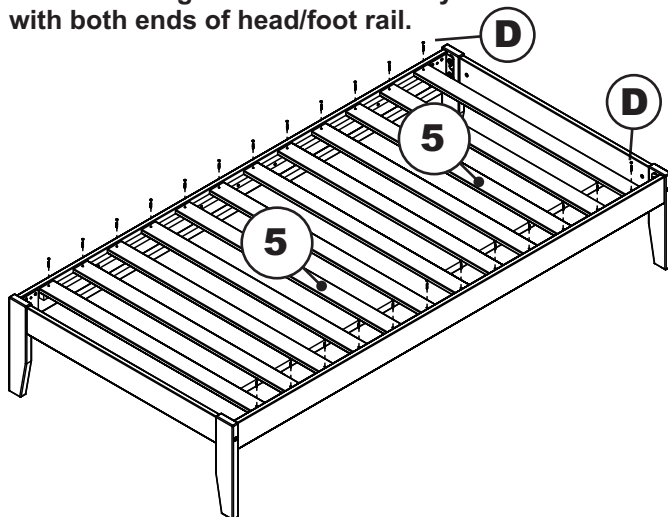


JCB M8 X 15mm

## Step 3

Attach slat kit (5) to the bed frame as shown below using wood screws 1 1/4" (D). Tighten with Phillips head screw driver. (customer supplied)

Be sure to align slat section evenly with both ends of head/foot rail.



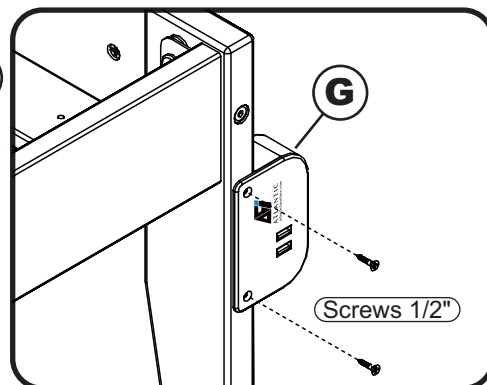
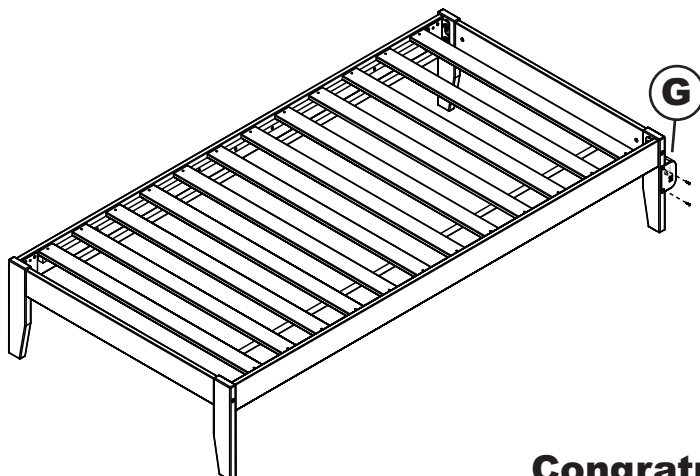
Adult assembly



Wood screw

## Step 4

Attach the USB charger (G) to the location as shown below using 1/2" screws and tighten with Phillips head screw driver. (customer supplied)



Adult assembly

### Congratulations!

Your bed is now ready for use.

We recommend that you periodically recheck that all screws are tight to ensure lasting safety.