

## QUEEN

### ASSEMBLY INSTRUCTIONS

Before assembling your bed frame, please read through these instructions carefully and familiarize yourself with the different parts.

**ATTENTION!** If you receive a damaged or defective item, please contact [afifurnishings.com](mailto:customerservice@afifurnishings.com) at [customerservice@afifurnishings.com](mailto:customerservice@afifurnishings.com) or 1-800-955-3726



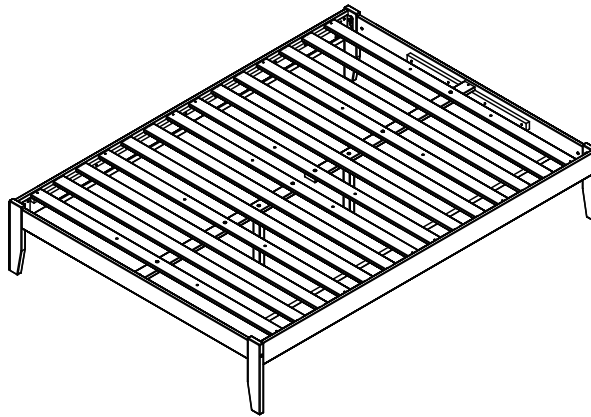
#### PARTS LIST

- |   |                  |        |
|---|------------------|--------|
| 1 | RIGHT LEG        | 2 PCS  |
| 2 | LEFT LEG         | 2 PCS  |
| 3 | FOOT / HEAD RAIL | 2 PCS  |
| 4 | SIDE RAIL        | 2 PCS  |
| 5 | SLAT KIT         | 2 SETS |
| 6 | SLAT SUPPORT     | 2 PCS  |
| 7 | SLAT SUPPORT LEG | 2 PCS  |

#### HARDWARE

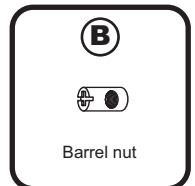
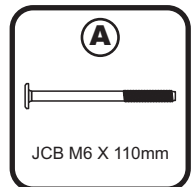
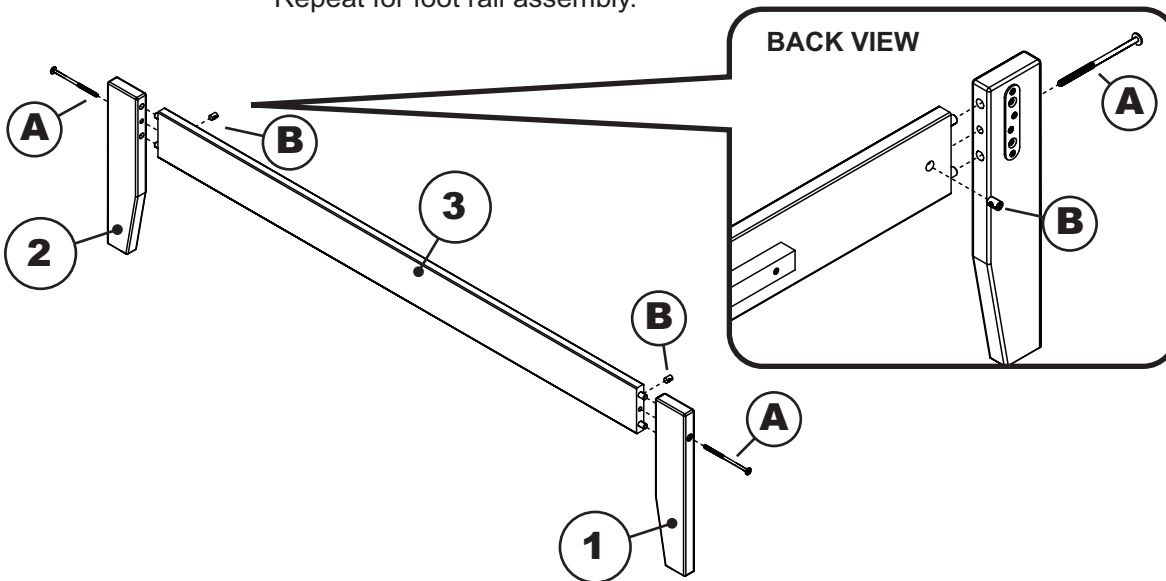
- |   |                                 |              |                               |
|---|---------------------------------|--------------|-------------------------------|
| A | JCB M6 X 110mm (4 3/8") - 4 pcs | G            | JCB M8 X 40mm (1 5/8") - 2pcs |
| B | Barrel nut - 4 pcs              | Spare - 1 pc | Spare - 1 pc                  |
| C | JCB M8 X 15mm (5/8") - 8 pcs    | H            | Allen wrench M6 - 1pc         |
| D | Wood screw(1 1/4") - 14 pcs     | I            | Allen wrench M4 - 1pc         |
| E | JCB M6 X 30mm(1 1/4") - 6pcs    | J            | Split washer - 2pcs           |
|   | Spare - 1 pc                    | K            | Flat washer - 2pcs            |
|   |                                 | L            | Surface Mount Charger - 1set  |
|   |                                 |              | Screws 1/2" - 2 pcs           |
|   |                                 |              | Spare - 1 pc                  |

NOTE: WE INCLUDE SPARE HARDWARE IN CASE DAMAGE OCCURS DURING ASSEMBLY.



### Step 1

Attach the right leg (1) and left leg (2) to the head rail (3) using JCB M6 X 110mm (A) and barrel nut (B). Tighten with the Allen wrench M4 (I). Repeat for foot rail assembly.



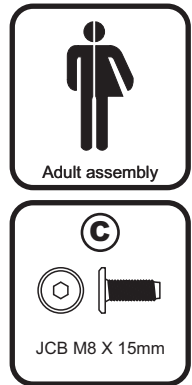
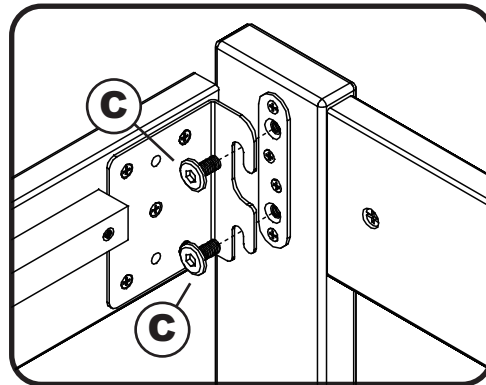
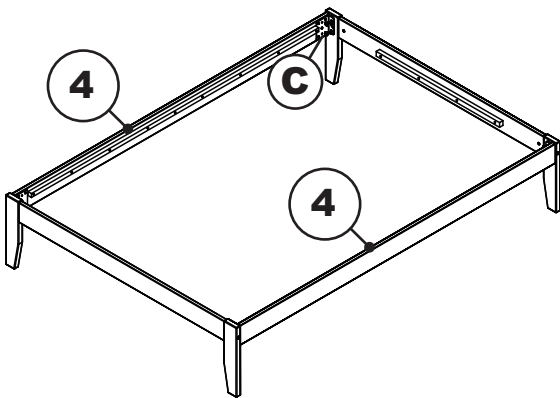
PO:

| CODE       | ITEM     |
|------------|----------|
| BD-COD-ISL | G-23804X |

**QUEEN**

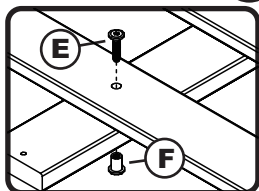
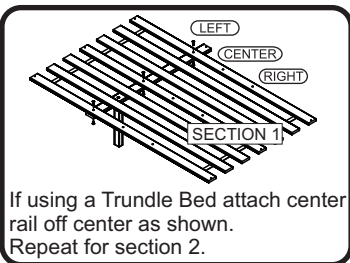
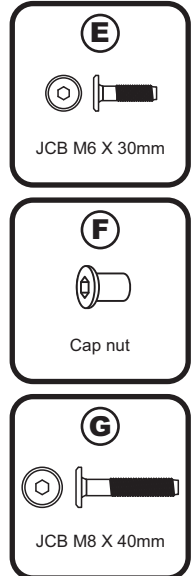
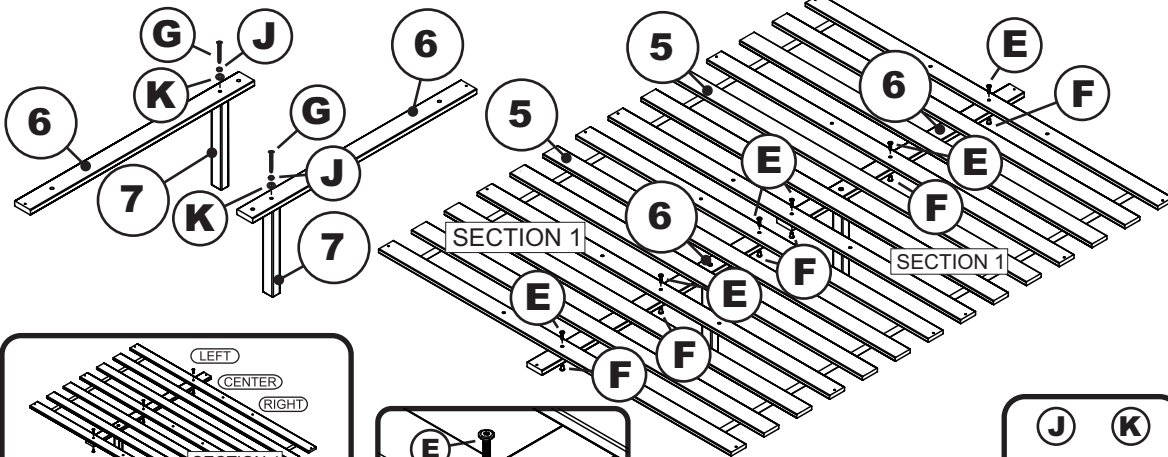
**Step 2**

Attach the foot rail or head rail to side rails (4) using JCB M8 X 15mm (C). Tighten with the Allen wrench M6 (H).



**Step 3**

Attach slat support (6) to slat support leg (7) using JCB M8 X 40mm (G) split and flat washer (J)(K). Tighten with Allen wrench M6 (H). Attach slat support (6) to the slat kit (5) as shown below using JCB M6 X 30mm (E) and cap nut (F). Tighten with Allen wrench M4 (I).

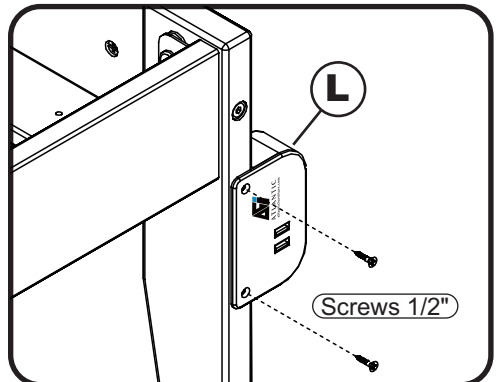
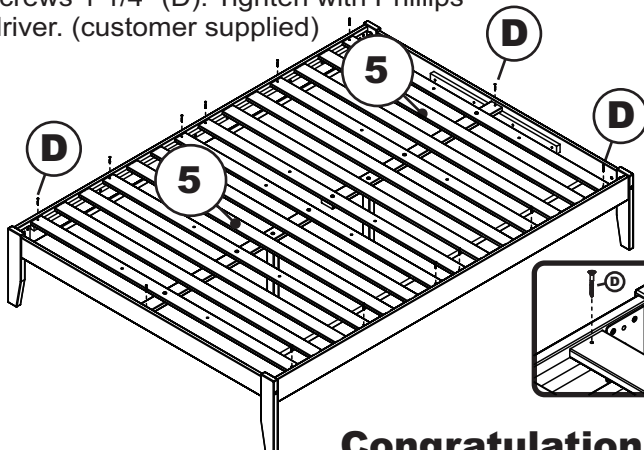
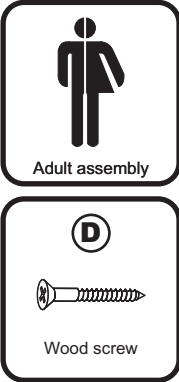


**Step 4**

Attach slat kit (5) to the bed frame as shown below using wood screws 1 1/4" (D). Tighten with Phillips head screw driver. (customer supplied)

**Step 5**

Attach the USB charger (L) to the location as shown below using 1/2" screws and tighten with Phillips head screw driver. (customer supplied)



**Congratulations!**

Your bed is now ready for use.

We recommend that you periodically recheck that all screws are tight to ensure lasting safety.